

Before Using the Product

Please read this document before use. Keep the document in a safe place for future reference. Make sure that the end users read the document.

Related manuals

Before using the product, please read "Safety Guidelines" that is supplied with the base unit.

Confirm the following descriptions:

- SAFETY PRECAUTIONS
- CONDITIONS OF USE FOR THE PRODUCT
- EMC AND LOW VOLTAGE DIRECTIVES
- WARRANTY

Details of the product are also described in the manual shown below (sold separately). Please read the manual and understand the functions and performance of the product to use it correctly.

- Temperature Control Module User's Manual
SH-080121 (13JR21)

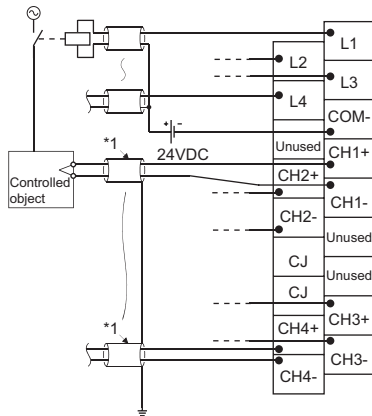
Packing list

Check that the following items are included in the package.

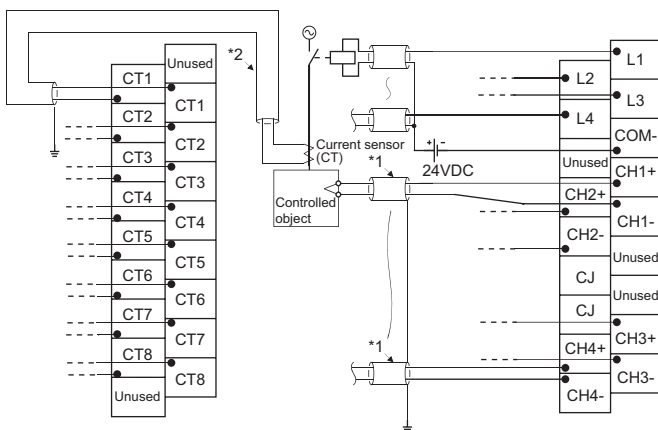
Item	Quantity
Module	1
"Before Using the Product" (this document)	1

Wiring diagrams

◆ Q64TCTT



◆ Q64TCTTBW



- *1 Please use shielded compensation conductors.
- *2 Always use shielded cables.

Wiring products

The table below shows applicable solderless terminals connected to the terminal block. When wiring, use applicable wires and an appropriate tightening torque. Use UL-approved solderless terminals and, for processing, use a tool recommended by their manufacturer. Also, sleeved solderless terminals cannot be used.

Solderless terminal		Wire			
Model	Tightening torque	Diameter	Type	Material	Temperature rating
R1.25-3	0.42 to 0.58N·m	22 to 18AWG	Stranded	Copper	75°C or more

Operating ambient temperature

Use the product within the range from 0°C to 55°C.

Internet information service (MELFANSweb)

From the FA-LAND on the MELFANSweb site, you can download trial-version software and software updates, retrieve and read online MELSEC-series manuals, and use a FAQ list. For these services, ID registration to FA-LAND (free) is required.

MELFANSweb site
<http://www.MitsubishiElectric.co.jp/melfansweb>

In regions other than Japan, please consult your local Mitsubishi representative.