

# **FR-E700**

Inverters

Instruction Manual

**FR-E720SSC EC**  
**FR-E740SC EC**



**Instruction Manual  
Inverter FR-E700SC EC**

**Version**

**Changes / Additions / Corrections**

A 05/2011 akl/rwi

—



---

Thank you for choosing this Mitsubishi inverter.

This instruction manual provides instructions for advanced use of the FR-E700SC series inverters. Incorrect handling might cause an unexpected fault. Before using the inverter, always read this instruction manual to use the equipment to its optimum.

## Safety Instructions

Do not attempt to install, operate, maintain or inspect the inverter until you have read through this instruction manual carefully and can use the equipment correctly. Do not use the inverter until you have a full knowledge of the equipment, safety information and instructions. In this instruction manual, the safety instruction levels are classified into "WARNING" and "CAUTION".



**WARNING:**

*Assumes that incorrect handling may cause hazardous conditions, resulting in death or severe injury.*



**CAUTION:**

*Assumes that incorrect handling may cause hazardous conditions, resulting in medium or slight injury, or may cause physical damage only.*

Note that even the CAUTION level may lead to a serious consequence according to conditions. Please follow strictly the instructions of both levels because they are important to personnel safety.

## Electric Shock Prevention



### WARNING:

- *While power is on or when the inverter is running, do not open the front cover. Otherwise you may get an electric shock.*
- *Do not run the inverter with the front cover removed. Otherwise, you may access the exposed high-voltage terminals or the charging part of the circuitry and get an electric shock.*
- *Even if power is off, do not remove the front cover except for wiring or periodic inspection. You may access the charged inverter circuits and get an electric shock.*
- *Before starting wiring or inspection, check to make sure that the operation panel indicator is off, wait for at least 10 minutes after the power supply has been switched off, and check that there are no residual voltage using a tester or the like. The capacitor is charged with high voltage for some time after power off and it is dangerous.*
- *This inverter must be earthed. Earthing must conform to the requirements of national and local safety regulations and electrical codes. (JIS, NEC section 250, IEC 536 class 1 and other applicable standards)  
Use a neutral-point earthed (grounded) power supply for 400V class inverter in compliance with EN standard.*
- *Any person who is involved in the wiring or inspection of this equipment should be fully competent to do the work.*
- *Always install the inverter before wiring. Otherwise, you may get an electric shock or be injured.*
- *If your application requires by installation standards an RCD (residual current device) as up stream protection please select according to DIN VDE 0100-530 as following:  
Single phase inverter type A or B  
Three phase inverter only type B*
- *Perform setting dial and key operations with dry hands to prevent an electric shock. Otherwise you may get an electric shock.*
- *Do not subject the cables to scratches, excessive stress, heavy loads or pinching. Otherwise you may get an electric shock.*
- *Do not replace the cooling fan while power is on. It is dangerous to replace the cooling fan while power is on.*
- *Do not touch the printed circuit board with wet hands. You may get an electric shock.*
- *When measuring the main circuit capacitor capacity, the DC voltage is applied to the motor for 1s at powering off. Never touch the motor terminal, etc. right after powering off to prevent an electric shock.*

---

## Fire Prevention



### CAUTION:

- **Mount the inverter to incombustible material. Install the inverter on a nonflammable wall without holes (so that nobody can touch the inverter heatsink on the rear side, etc.). Mounting it to or near combustible material can cause a fire.**
- **If the inverter has become faulty, switch off the inverter power. A continuous flow of large current could cause a fire.**
- **When using a brake resistor, make up a sequence that will turn off power when an alarm signal is output. Otherwise, the brake resistor may excessively overheat due to damage of the brake transistor and such, causing a fire.**
- **Do not connect a resistor directly to the DC terminals P/+, N/-. This could cause a fire and destroy the inverter. The surface temperature of braking resistors can far exceed 100°C for brief periods. Make sure that there is adequate protection against accidental contact and a safe distance is maintained to other units and system parts.**

## Injury Prevention



### CAUTION:

- **Apply only the voltage specified in the instruction manual to each terminal. Otherwise, burst, damage, etc. may occur.**
- **Ensure that the cables are connected to the correct terminals. Otherwise, burst, damage, etc. may occur.**
- **Always make sure that polarity is correct to prevent damage, etc. Otherwise, burst, damage, etc. may occur.**
- **While power is on or for some time after power-off, do not touch the inverter as it is hot and you may get burnt.**

## Additional Instructions

Also note the following points to prevent an accidental failure, injury, electric shock, etc.

### Transport and Installation



#### CAUTION:

- **Transport the product using the correct method that corresponds to the weight. Failure to observe this could lead to injuries.**
- **Do not stack the inverter boxes higher than the number recommended.**
- **Ensure that installation position and material can withstand the weight of the inverter. Install according to the information in the instruction manual.**
- **Do not install or operate the inverter if it is damaged or has parts missing. This can result in breakdowns.**
- **When carrying the inverter, do not hold it by the front cover or setting dial; it may fall off or fail.**
- **Do not stand or rest heavy objects on the product.**
- **Check the inverter mounting orientation is correct.**
- **Prevent other conductive bodies such as screws and metal fragments or other flammable substance such as oil from entering the inverter.**
- **As the inverter is a precision instrument, do not drop or subject it to impact.**
- **Use the inverter under the following environmental conditions. Otherwise, the inverter may be damaged.**

Operating Condition	Specifications
Ambient temperature	-10°C to +50°C (non-freezing)
Ambient humidity	90% RH or less (non-condensing)
Storage temperature	-20°C to +65°C <sup>①</sup>
Atmosphere	Indoors (free from corrosive gas, flammable gas, oil mist, dust and dirt)
Altitude	Maximum 1000m above sea level for standard operation. After that derate by 3% for every extra 500m up to 2500m (91%)
Vibration	5.9m/s <sup>2</sup> or less at 10 to 55Hz (directions of X, Y, Z axes)

<sup>①</sup> Temperature applicable for a short time, e.g. in transit.

### Wiring



#### CAUTION:

- **Do not install assemblies or components (e. g. power factor correction capacitors) on the inverter output side, which are not approved from Mitsubishi.**
- **The direction of rotation of the motor corresponds to the direction of rotation commands (STF/STR) only if the phase sequence (U, V, W) is maintained.**

### Trial Run



#### CAUTION:

- **Before starting operation, confirm and adjust the parameters. A failure to do so may cause some machines to make unexpected motions.**



## Operation



### WARNING:

- *When you have chosen the retry function, stay away from the equipment as it will restart suddenly after an alarm stop.*
- *Since pressing the STOP/RESET-key may not stop output depending on the function setting status, provide a circuit and switch separately to make an emergency stop (power off, mechanical brake operation for emergency stop, etc.).*
- *Make sure that the start signal is off before resetting the inverter alarm. A failure to do so may restart the motor suddenly.*
- *The load used should be a three-phase induction motor only. Connection of any other electrical equipment to the inverter output may damage the equipment.*
- *Do not modify the equipment.*
- *Do not perform parts removal which is not instructed in this manual. Doing so may lead to fault or damage of the inverter.*



### CAUTION:

- *The electronic thermal relay function does not guarantee protection of the motor from overheating. It is recommended to install both an external thermal and PTC thermistor for overheat protection.*
- *Do not use a magnetic contactor on the inverter input for frequent starting/stopping of the inverter. Otherwise, the life of the inverter decreases.*
- *Use a noise filter to reduce the effect of electromagnetic interference and follow the accepted EMC procedures for proper installation of frequency inverters. Otherwise nearby electronic equipment may be affected.*
- *Take appropriate measures regarding harmonics. Otherwise this can endanger compensation systems or overload generators.*
- *Use a motor designed for inverter operation. (The stress for motor windings is bigger than in line power supply).*
- *When parameter clear or all clear is performed, set again the required parameters before starting operations. Each parameter returns to the initial value.*
- *The inverter can be easily set for high-speed operation. Before changing its setting, fully examine the performances of the motor and machine.*
- *The DC braking function of the frequency inverter is not designed to continuously hold a load. Use an electro-mechanical holding brake on the motor for this purpose.*
- *Before running an inverter which had been stored for a long period, always perform inspection and test operation.*
- *For prevention of damage due to static electricity, touch nearby metal before touching this product to eliminate static electricity from your body.*

---

## Emergency Stop



### CAUTION:

- *Provide a safety backup such as an emergency brake which will prevent the machine and equipment from hazardous conditions if the inverter fails.*
- *When the breaker on the inverter primary side trips, check for the wiring fault (short circuit), damage to internal parts of the inverter, etc. Identify the cause of the trip, then remove the cause and power on the breaker.*
- *When the protective function is activated (i. e. the frequency inverter switches off with an error message), take the corresponding corrective action as described in the inverter manual, then reset the inverter, and resume operation.*

## Maintenance, Inspection and Parts Replacement



### CAUTION:

- *Do not carry out a megger (insulation resistance) test on the control circuit of the inverter. It will cause a failure.*

## Disposing the Inverter



### CAUTION:

- *Treat as industrial waste.*

## General Instructions

Many of the diagrams and drawings in instruction manuals show the inverter without a cover, or partially open. Never run the inverter in this status. Always replace the cover and follow this instruction manual when operating the inverter.

# Contents

<b>1</b>	<b>Product checking and part identification</b>	
1.1	Inverter type .....	1-1
1.2	Description of the case .....	1-2
1.2.1	Accessory .....	1-3
<b>2</b>	<b>Installation</b>	
2.1	Removal and reinstallation of the front cover .....	2-1
2.1.1	FR-E720S and FR-E740-016SC to FR-E740-170SC .....	2-1
2.1.2	FR-E740-230SC and FR-E740-300SC .....	2-2
2.2	Removal and reinstallation of the wiring cover .....	2-4
2.3	Mounting .....	2-5
2.4	Enclosure design .....	2-7
2.4.1	Inverter installation environment .....	2-7
2.4.2	Inverter placement .....	2-11
<b>3</b>	<b>Wiring</b>	
3.1	Inverter and peripheral devices .....	3-1
3.1.1	Peripheral devices .....	3-3
3.2	Terminal connection diagramm.....	3-4
3.3	Main circuit connection.....	3-6
3.3.1	Specification of main circuit terminals.....	3-6
3.3.2	Terminal layout and wiring.....	3-7
3.4	Control circuit specifications.....	3-14
3.4.1	Control circuit terminals .....	3-17
3.4.2	Wiring instructions .....	3-22
3.4.3	Safety stop function .....	3-23
3.4.4	Changing the control logic.....	3-26
3.5	PU connector.....	3-29
3.5.1	Connecting the parameter unit using a connection cable .....	3-29
3.5.2	RS-485 communication .....	3-30
3.6	USB connector .....	3-31
3.7	Connection of stand-alone option units .....	3-32
3.7.1	Magnetic contactors (MC).....	3-32
3.7.2	Connection of a dedicated external brake resistor FR-ABR (FR-E720S-030SC or more, FR-E740-016SC or more) .....	3-34
3.7.3	Connection of a brake unit FR-BU2 .....	3-37
3.7.4	Connection of the high power factor converter FR-HC .....	3-40
3.7.5	Connection of the power regeneration common converter FR-CV .....	3-41
3.7.6	Connection of the power improving DC reactor FFR-HEL-(H)-E .....	3-42
3.7.7	Installation of a reactor .....	3-42
3.8	Electromagnetic compatibility (EMC).....	3-43
3.8.1	Leakage currents and countermeasures .....	3-43
3.8.2	Inverter-generated noises and their reduction techniques .....	3-47
3.8.3	Power supply harmonics.....	3-50
3.8.4	Inverter-driven 400V class motor .....	3-51

<b>4</b>	<b>Operation</b>	
4.1	Precautions for use of the inverter .....	4-1
4.1.1	Failsafe of the system which uses the inverter .....	4-3
4.2	Drive the motor .....	4-6
4.3	Operation panel .....	4-7
4.3.1	Parts of the operation panel .....	4-7
4.3.2	Basic operation (factory setting) .....	4-9
4.3.3	Easy operation mode setting (easy setting mode) .....	4-10
4.3.4	Operation lock .....	4-12
4.3.5	Monitoring of output current and output voltage .....	4-14
4.3.6	First priority monitor .....	4-14
4.3.7	Digital dial push .....	4-14
4.3.8	Change the parameter setting value .....	4-15
4.3.9	Parameter clear/All Parameter clear .....	4-16
4.3.10	Initial value change list .....	4-17
<b>5</b>	<b>Basic settings</b>	
5.1	Simple mode parameter list .....	5-1
5.1.1	Overheat protection of the motor by the inverter .....	5-2
5.1.2	When the rated motor frequency is 60Hz (Pr. 3) .....	5-4
5.1.3	Increase the starting torque (Pr. 0) .....	5-5
5.1.4	Limit the maximum and minimum output frequency (Pr. 1, Pr. 2) .....	5-7
5.1.5	Change the acceleration/deceleration time (Pr. 7, Pr. 8) .....	5-9
5.1.6	Operation mode (Pr. 79) .....	5-11
5.1.7	Large starting torque and low speed torque are necessary (Advanced magnetic flux control, General-purpose magnetic flux vector control) (Pr. 71, Pr. 80, Pr. 81, Pr. 800) .....	5-12
5.1.8	To exhibit the best performance of the motor performance (offline auto tuning) (Pr. 9, Pr. 71, Pr. 83, Pr. 84, Pr. 96) .....	5-15
5.2	PU operation mode .....	5-20
5.2.1	Set the set frequency to operate .....	5-21
5.2.2	Use the digital dial like a potentiometer to perform operation .....	5-23
5.2.3	Use switches to give the frequency command (multi-speed setting) .....	5-24
5.2.4	Perform frequency setting by analog voltage input .....	5-26
5.2.5	Perform frequency setting by analog current input .....	5-28
5.3	External operation .....	5-30
5.3.1	Use the set frequency set by PU (Pr. 79 = 3) .....	5-30
5.3.2	Use switches to give a start command and a frequency command (multi-speed setting) (Pr. 4 to Pr. 6) .....	5-32
5.3.3	Perform frequency setting by analog voltage input .....	5-35
5.3.4	Change the frequency (40Hz) of the maximum value of potentiometer (at 5V) .....	5-38
5.3.5	Perform frequency setting by analog current input .....	5-39
5.3.6	Change the frequency (40Hz) of the maximum value of potentiometer (at 20mA) .....	5-41

<b>6</b>	<b>Parameter</b>	
6.1	Parameter overview .....	6-1
6.2	Control mode .....	6-30
6.2.1	Change the control method (Pr. 80, Pr. 81, Pr. 800) .....	6-31
6.3	Adjust the output torque (current) of the motor .....	6-33
6.3.1	Manual torque boost (Pr. 0, Pr. 46) .....	6-33
6.3.2	Advanced magnetic flux vector control (Pr. 71, Pr. 80, Pr. 81, Pr. 89, Pr. 800) .....	6-36
6.3.3	General-purpose magnetic flux vector control (Pr. 71, Pr. 80, Pr. 81, Pr. 800) .....	6-39
6.3.4	Slip compensation (Pr. 245 to Pr. 247) .....	6-41
6.3.5	Stall prevention operation (Pr. 22, Pr. 23, Pr. 48, Pr. 66, Pr. 156, Pr. 157, Pr. 277) .....	6-42
6.4	Limit the output frequency .....	6-50
6.4.1	Maximum and minimum frequency (Pr. 1, Pr. 2, Pr. 18) .....	6-50
6.4.2	Avoid mechanical resonance points (frequency jumps) (Pr. 31 to Pr. 36) ....	6-52
6.5	Set V/F pattern .....	6-54
6.5.1	Base frequency, voltage (Pr. 3, Pr. 19, Pr. 47) .....	6-54
6.5.2	Load pattern selection (Pr. 14) .....	6-56
6.6	Frequency setting by external terminals .....	6-58
6.6.1	Multi-speed setting operation (Pr. 4 to Pr. 6, Pr. 24 to Pr. 27, Pr. 232 to Pr. 239) .....	6-58
6.6.2	Jog operation (Pr. 15, Pr. 16) .....	6-61
6.6.3	Remote setting function (Pr. 59) .....	6-65
6.7	Acceleration and deceleration .....	6-69
6.7.1	Acceleration and deceleration time (Pr. 7, Pr. 8, Pr. 20, Pr. 21, Pr. 44, Pr. 45, Pr. 147) .....	6-69
6.7.2	Starting frequency and start-time hold function (Pr. 13, Pr. 571) .....	6-73
6.7.3	Acceleration and deceleration pattern (Pr. 29) .....	6-75
6.7.4	Shortest acceleration/deceleration (automatic acceleration/deceleration) (Pr. 61 to Pr. 63, Pr. 292, Pr. 293) .....	6-77
6.8	Selection and protection of a motor .....	6-80
6.8.1	Motor overheat protection (Electronic thermal O/L relay) (Pr. 9, Pr. 51) .....	6-80
6.8.2	Applied motor (Pr. 71, Pr. 450) .....	6-85
6.8.3	To exhibit the best performance of the motor performance (offline auto tuning) (Pr. 71, Pr. 80 to Pr. 84, Pr. 90 to Pr. 94, Pr. 96, Pr. 859) ...	6-88
6.9	Motor brake and stop operation .....	6-98
6.9.1	DC injection brake (Pr. 10 to Pr. 12) .....	6-98
6.9.2	Selection of a regenerative brake (Pr. 30, Pr. 70) .....	6-101
6.9.3	Stop selection (Pr. 250) .....	6-103
6.9.4	Stop-on contact control function (Pr. 6, Pr. 48, Pr. 270, Pr. 275, Pr. 276) .....	6-105
6.9.5	Brake sequence function (Pr. 278 to Pr. 283, Pr. 292) .....	6-109

6.10	Function assignment of external terminals .....	6-114
6.10.1	Input terminal function selection (Pr. 178 to Pr. 184) .....	6-114
6.10.2	Inverter output shutoff signal (MRS signal, Pr. 17) .....	6-117
6.10.3	Condition selection of function validity by second function selection signal (RT, Pr. 155).....	6-119
6.10.4	Start signal selection (Terminal STF, STR, STOP, Pr. 250) .....	6-120
6.10.5	Output terminal function selection (Pr. 190 to Pr. 192) .....	6-124
6.10.6	Detection of output frequency (SU, FU, Pr. 41 to Pr. 43).....	6-129
6.10.7	Output current detection function (Y12, Y13, Pr. 150 to Pr. 153) .....	6-131
6.10.8	Remote output function (REM, Pr. 495 to Pr. 497) .....	6-133
6.11	Monitor display and monitor output signals .....	6-136
6.11.1	Speed display and speed setting (Pr. 37).....	6-136
6.11.2	Monitor display selection of DU/PU and terminal AM (Pr. 52, Pr. 158, Pr. 170, Pr. 171, Pr. 268, Pr. 563, Pr. 564) .....	6-138
6.11.3	Reference of the terminal AM (analog voltage output) (Pr. 55, Pr. 56) .....	6-146
6.11.4	Terminal AM calibration [calibration parameter Pr. 645, C1 (Pr. 901)].....	6-148
6.12	Operation selection at power failure .....	6-151
6.12.1	Automatic restart (Pr. 30, Pr. 57, Pr. 58, Pr. 96, Pr. 162, Pr. 165, Pr. 298, Pr. 299, Pr. 611) .....	6-151
6.12.2	Power failure-time deceleration-to-stop function (Pr. 261) .....	6-163
6.13	Operation setting at alarm occurrence .....	6-167
6.13.1	Retry function (Pr. 65, Pr. 67 to Pr. 69).....	6-167
6.13.2	Input/output phase failure protection selection (Pr. 251, Pr. 872) .....	6-170
6.13.3	Earth (ground) fault detection at start (Pr. 249).....	6-171
6.14	Energy saving operation .....	6-172
6.14.1	Optimum excitation control (Pr. 60) .....	6-172
6.15	Motor noise, EMI measures, mechanical resonance .....	6-173
6.15.1	PWM carrier frequency and soft-PWM control (Pr. 72, Pr. 240) .....	6-173
6.15.2	Speed smoothing control (Pr. 653) .....	6-174
6.16	Frequency setting by analog input (terminal 2, 4).....	6-175
6.16.1	Analog input selection (Pr. 73, Pr. 267).....	6-175
6.16.2	Input filter time constant (Pr. 74) .....	6-180
6.16.3	Bias and gain of frequency setting voltage (current) [Pr. 125, Pr. 126, Pr. 241, C2 (Pr. 902) to C7 (Pr. 905)] .....	6-181
6.17	Misoperation prevention and parameter setting restriction .....	6-188
6.17.1	Reset selection/disconnected PU detection/PU stop selection (Pr. 75) .....	6-188
6.17.2	Parameter write selection (Pr. 77).....	6-193
6.17.3	Reverse rotation prevention selection (Pr. 78).....	6-195
6.17.4	User groups (Pr. 160, Pr. 172 to Pr. 174) .....	6-196
6.17.5	Password function (Pr. 296, Pr. 297).....	6-199
6.18	Selection of operation mode and operation location.....	6-204
6.18.1	Operation mode selection (Pr. 79) .....	6-204
6.18.2	Operation mode at power on (Pr. 79, Pr. 340) .....	6-216
6.18.3	Start command source and frequency command source during communication operation (Pr. 338, Pr. 339, Pr. 550, Pr. 551) .....	6-218

6.19	Communication operation and setting .....	6-227
6.19.1	PU connector .....	6-227
6.19.2	Initial settings and specifications of RS-485 communication (Pr. 117 to Pr. 120, Pr. 123, Pr. 124, Pr. 549) .....	6-232
6.19.3	Communication E <sup>2</sup> PROM write selection (Pr. 342) .....	6-238
6.19.4	Mitsubishi inverter protocol (computer link communication).....	6-239
6.19.5	Modbus-RTU communication (Pr. 117, Pr. 118, Pr. 120, Pr. 122, Pr. 343, Pr. 549).....	6-258
6.19.6	USB communication (Pr. 547, Pr. 548).....	6-276
6.20	Special operation.....	6-277
6.20.1	PID control (Pr. 127 to Pr. 134).....	6-277
6.20.2	Dancer control (Pr. 44, Pr. 45, Pr. 128 to Pr. 134) .....	6-289
6.20.3	Droop control (Pr. 286 to Pr. 287) .....	6-297
6.20.4	Regeneration avoidance function (Pr. 665, Pr. 882, Pr. 883, Pr. 885, Pr. 886) .....	6-298
6.21	Useful functions .....	6-301
6.21.1	Cooling fan operation selection (Pr. 244) .....	6-301
6.21.2	Display of the life of the inverter parts (Pr. 255 to Pr. 259).....	6-302
6.21.3	Maintenance timer alarm (Pr. 503, Pr. 504) .....	6-307
6.21.4	Current average value monitor signal (Pr. 555 to Pr. 557) .....	6-308
6.21.5	Free parameters (Pr. 888, Pr. 889).....	6-312
6.22	Setting for the parameter unit, operation panel .....	6-313
6.22.1	RUN key rotation direction selection (Pr. 40) .....	6-313
6.22.2	PU display language selection (Pr. 145) .....	6-313
6.22.3	Operation panel frequency setting/key lock operation selection (Pr. 161) ..	6-314
6.22.4	Magnitude of frequency change setting (Pr. 295) .....	6-315
6.22.5	Buzzer control (Pr. 990) .....	6-316
6.22.6	PU contrast adjustment (Pr. 991) .....	6-316

## **7 Troubleshooting**

7.1	List of alarm display .....	7-2
7.2	Causes and corrective actions.....	7-4
7.3	Reset method of protective function .....	7-18
7.4	LED display.....	7-19
7.5	Check and clear of the fault history.....	7-20
7.6	Check first when you have troubles .....	7-22
7.6.1	Motor does not start.....	7-22
7.6.2	Motor or machine generates abnormal noise .....	7-24
7.6.3	Inverter generates abnormal noise .....	7-24
7.6.4	Motor generates heat abnormally .....	7-25
7.6.5	Motor rotates in opposite direction.....	7-25
7.6.6	Speed greatly differs from the setting .....	7-25
7.6.7	Acceleration/deceleration is not smooth .....	7-26
7.6.8	Speed varies during operation .....	7-27
7.6.9	Operation mode is not changed properly.....	7-28
7.6.10	Operation panel display is not operating .....	7-28
7.6.11	Motor current is too large .....	7-29
7.6.12	Speed does not accelerate .....	7-30
7.6.13	Unable to write parameter setting.....	7-31

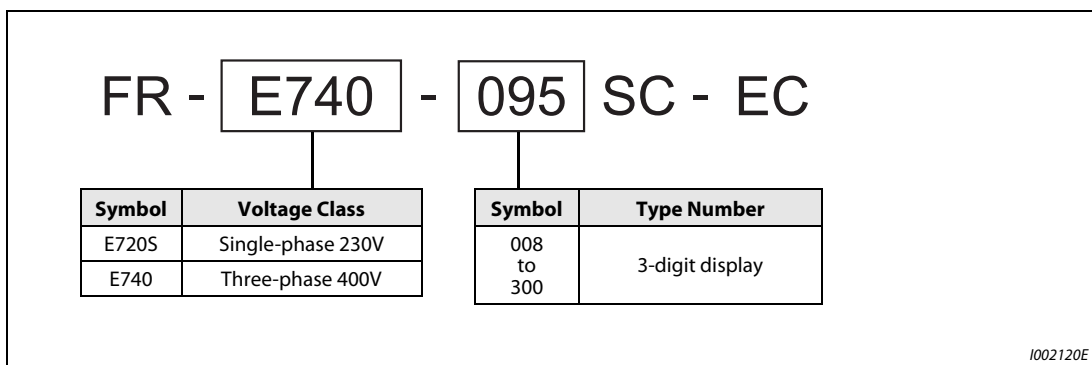
7.7	Meters and measuring methods .....	7-32
7.7.1	Measurement of powers .....	7-33
7.7.2	Measurement of voltages and use of PT .....	7-34
7.7.3	Measurement of currents .....	7-34
7.7.4	Use of CT and transducer .....	7-35
7.7.5	Measurement of inverter input power factor.....	7-35
7.7.6	Measurement of converter output voltage (across terminals P/+ and N/-) ..	7-35
<b>8</b>	<b>Maintenance and inspection</b>	
8.1	Inspection.....	8-1
8.1.1	Daily inspection .....	8-1
8.1.2	Periodic inspection .....	8-1
8.1.3	Daily and periodic inspection .....	8-2
8.1.4	Display of the life of the inverter parts .....	8-4
8.1.5	Checking the inverter and converter modules .....	8-5
8.1.6	Cleaning .....	8-6
8.1.7	Replacement of parts .....	8-6
8.1.8	Inverter replacement .....	8-10
8.2	Measurements on the main circuit .....	8-11
8.2.1	Insulation resistance test using megger .....	8-11
8.2.2	Pressure test.....	8-11
8.2.3	Measurement of voltages and currents .....	8-12
<b>A</b>	<b>Appendix</b>	
A.1	Specifications .....	A-1
A.1.1	1-phase, 200V class .....	A-1
A.1.2	3-phase, 400V class .....	A-2
A.2	Common specifications .....	A-3
A.3	Outline dimension drawings .....	A-5
A.3.1	FR-E720S-008SC to 030SC .....	A-5
A.3.2	FR-E720S-050SC and 080SC .....	A-6
A.3.3	FR-E720S-110SC and FR-E740-016SC to 095SC .....	A-7
A.3.4	FR-E740-120SC and 170SC .....	A-8
A.3.5	FR-E740-230SC and 300SC .....	A-8
A.3.6	Parameter unit FR-PU07 .....	A-9
A.3.7	Parameter unit FR-PA07 .....	A-10
A.4	Parameter list with instruction codes .....	A-11
A.5	Specification change .....	A-21
A.5.1	SERIAL number check .....	A-21



# 1 Product checking and part identification

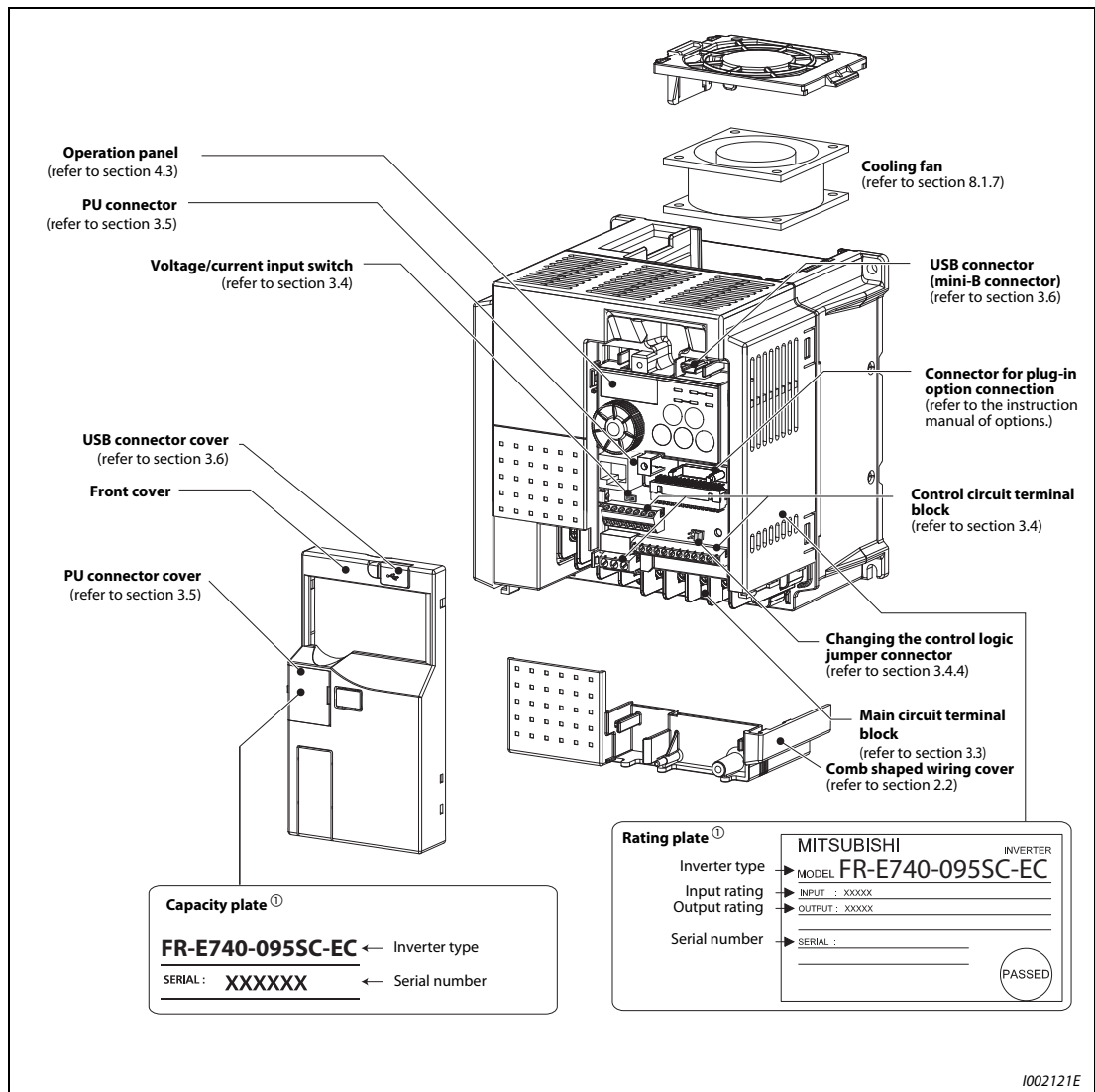
Unpack the inverter and check the capacity plate on the front cover and the rating plate on the inverter side face to ensure that the product agrees with your order and the inverter is intact.

## 1.1 Inverter type



**Fig. 1-1:** Inverter type FR-E700SC EC

## 1.2 Description of the case



**Fig. 1-2:** Appearance and structure

① Location of the capacity plate and the rating plate differs according to the inverter capacity. Refer to the outline dimension drawing. (Refer to section A.3.)

**NOTE**

For removal and reinstallation of covers, refer to section 2.1.

## 1.2.1 Accessory

### Fan cover fixing screws

Capacity	Screw Size [mm]	Number
FR-E720S-050SC to 110SC	M3 × 35	1
FR-E740-040SC to 095SC	M3 × 35	1
FR-E740-120SC to 300SC	M3 × 35	2

**Tab. 1-1:** Fan cover fixing screws

#### NOTES

Inverters FR-E720S-008SC to 030SC and FR-E740-026SC or less are not provided with the cooling fan. Therefore the fan cover fixing screws are not delivered with these models.

For removal and reinstallation of the cooling fans, refer to section 8.1.7.



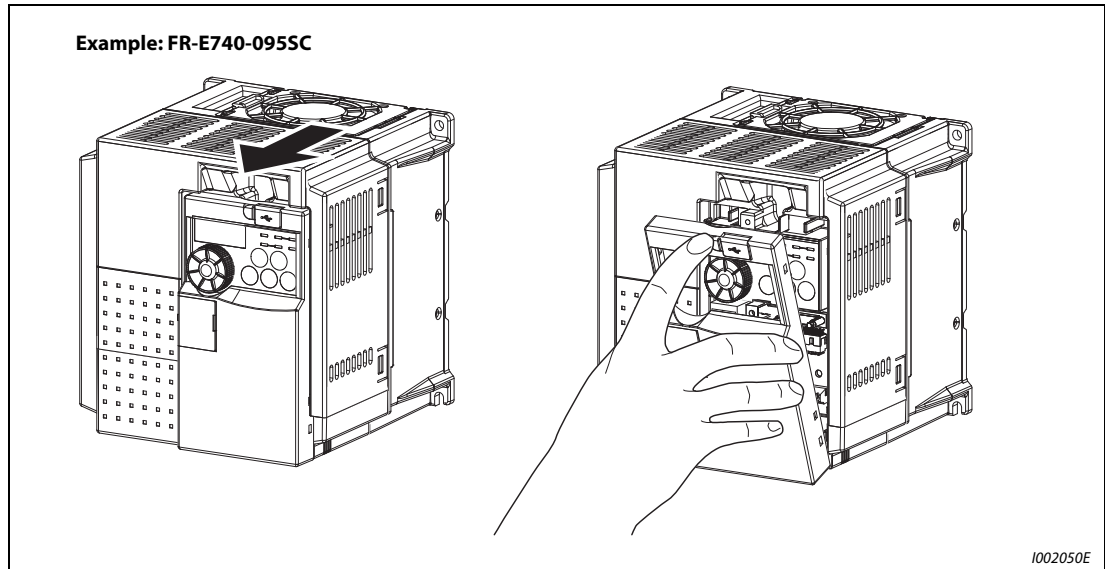
## 2 Installation

### 2.1 Removal and reinstallation of the front cover

#### 2.1.1 FR-E720S and FR-E740-016SC to FR-E740-170SC

##### Removal

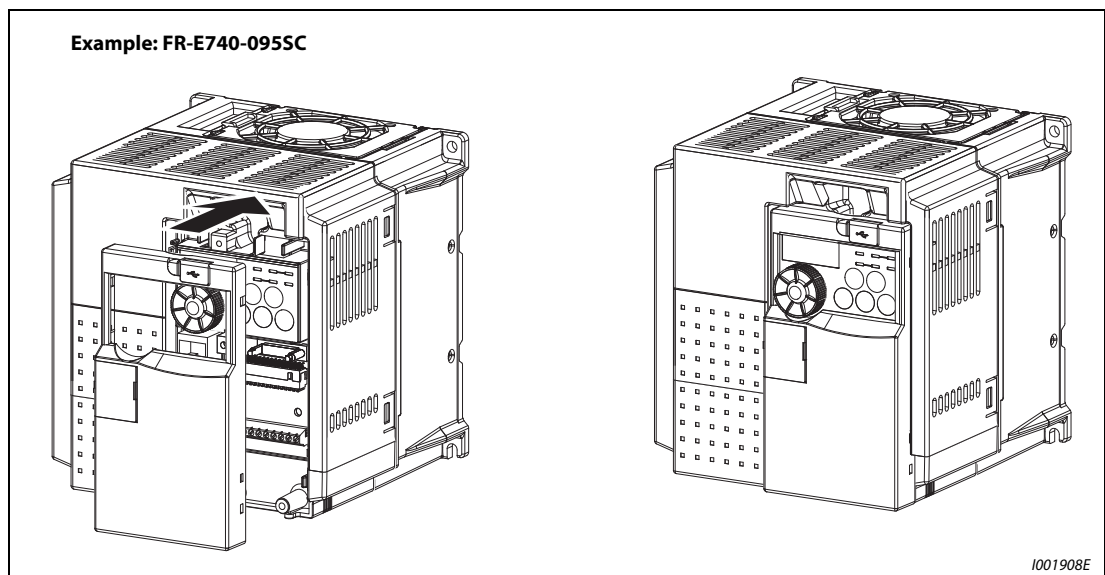
Remove the front cover by pulling it toward you in the direction of arrow (refer to the figure below).



**Fig. 2-1:** Removal of the front cover

##### Reinstallation

To reinstall, match the cover to the inverter front and install it straight.



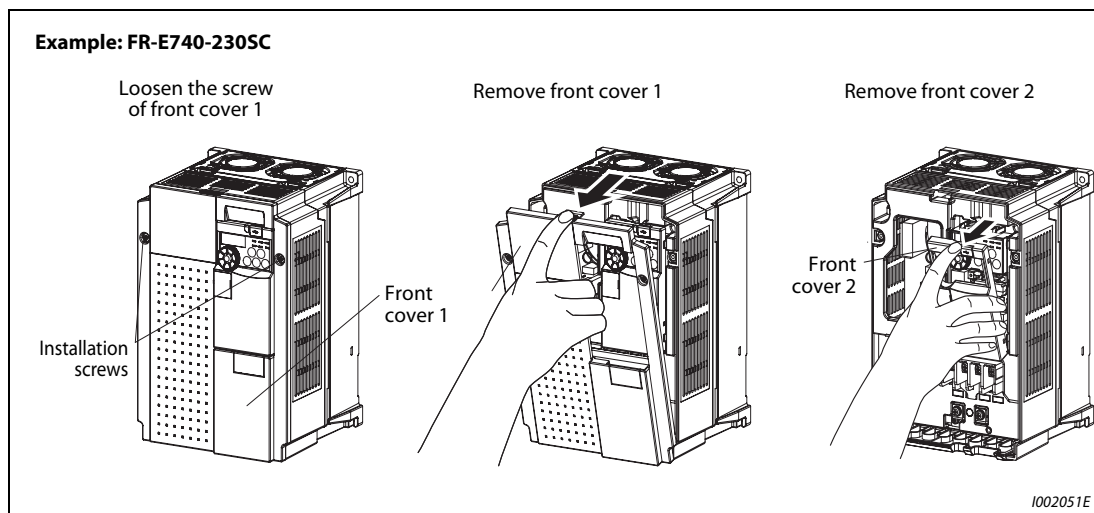
**Fig. 2-2:** Reinstallation of the front cover

### 2.1.2 FR-E740-230SC and FR-E740-300SC

#### Removal

Loosen the installation screws of the front cover 1. Remove the front cover 1 by pulling it toward you in the direction of arrow.

Remove the front cover 2 by pulling it toward you in the direction of arrow (refer to the figure below).



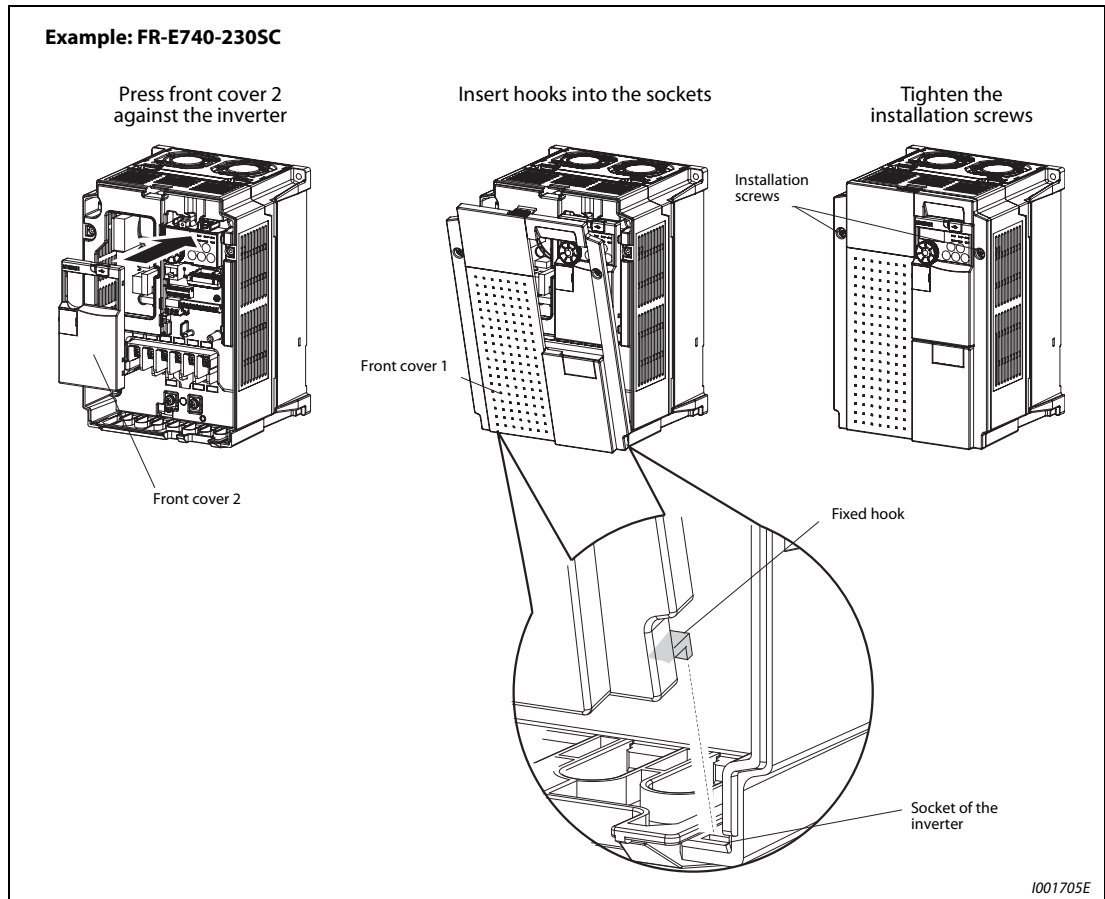
**Fig. 2-3:** Removal of the front cover

### Reinstallation

Match the front cover 2 to the inverter front and install it straight.

Insert the two fixed hooks on the lower side of the front cover 1 into the sockets of the inverter.

Tighten the screw of the front cover 1.



**Fig. 2-4:** Reinstallation of the front cover

#### NOTES

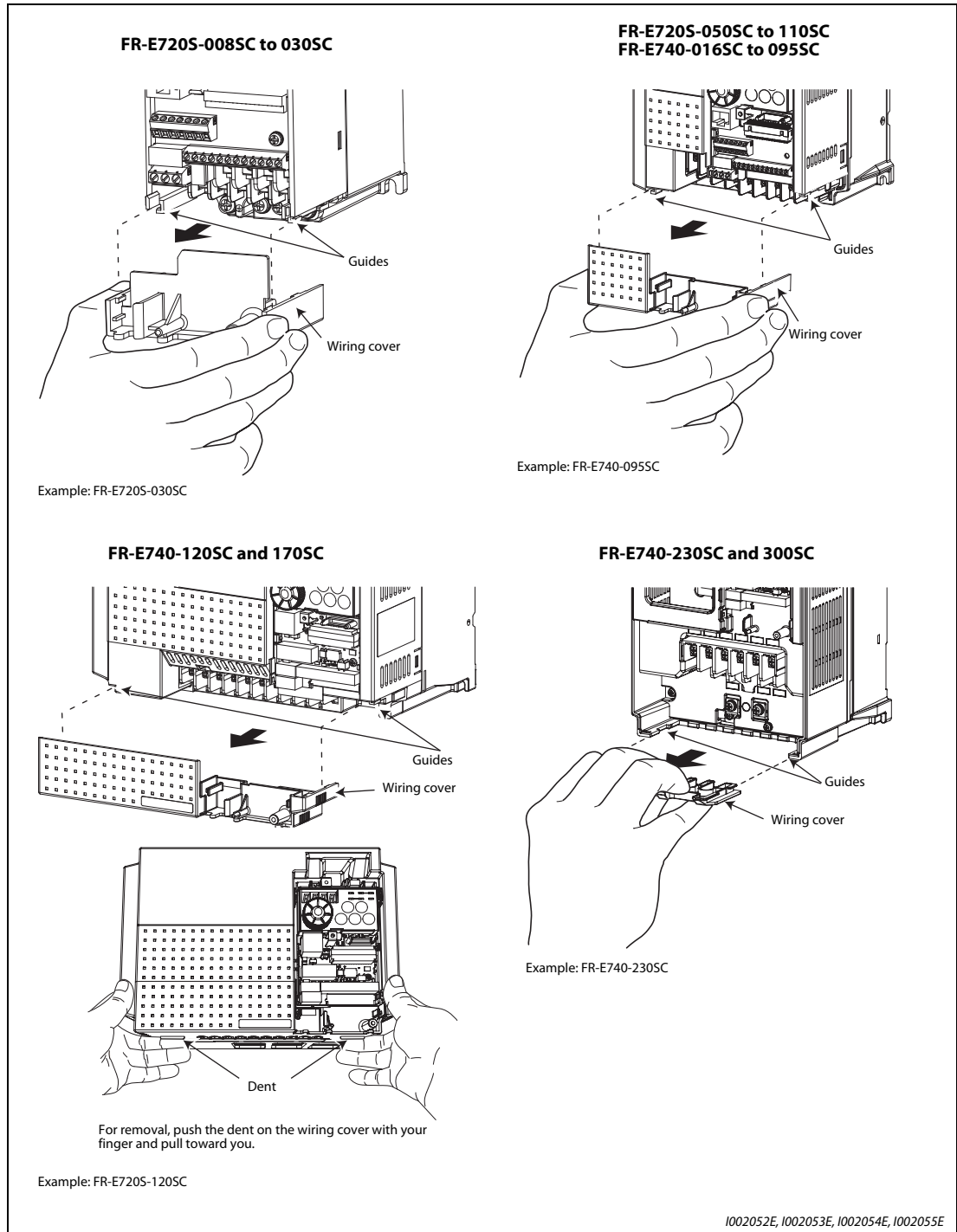
Fully make sure that the front cover has been reinstalled securely. Always tighten the installation screws of the front cover.

The same serial number is printed on the capacity plate of the front cover and the rating plate of the inverter. Before reinstalling the front cover, check the serial numbers to ensure that the cover removed is reinstalled to the inverter from where it was removed.

## 2.2 Removal and reinstallation of the wiring cover

The cover can be removed easily by pulling it toward you.

To reinstall, fit the cover to the inverter along the guides.



**Fig. 2-5:** Removing the wiring cover

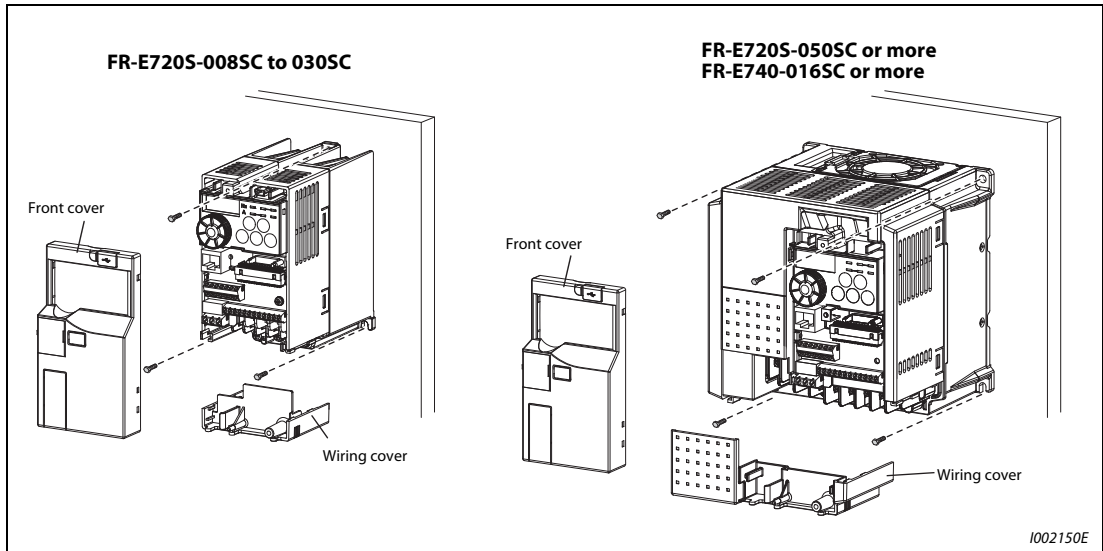


## 2.3 Mounting

**NOTE**

Install the inverter vertically. Do not mount it horizontally or any other way.

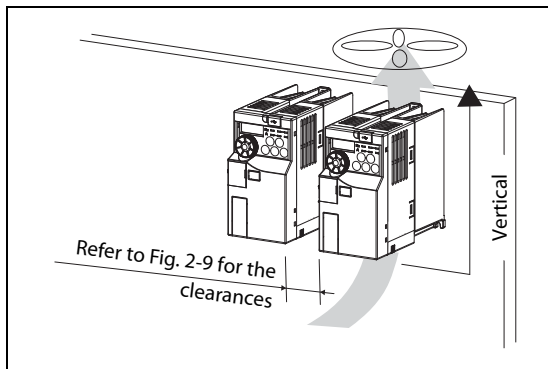
Remove the front cover and wiring cover to fix the inverter to the surface.



**Fig. 2-6:** Installation on the panel

**NOTE**

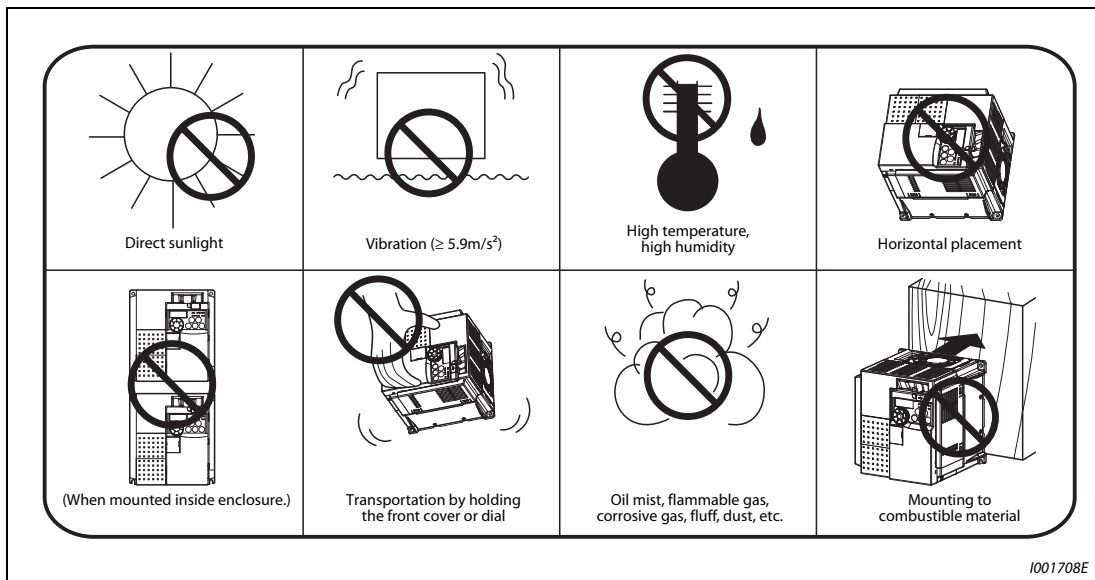
When encasing multiple inverters, install them in parallel as a cooling measure. Leave enough clearances around the inverter (refer to page 2-11).



**Fig. 2-7:** Good heat dissipation is achieved through the vertical alignment of the frequency inverter, the side-by-side mounting and maintenance of minimum clearances.

1002151E

The inverter consists of precision mechanical and electronic parts. Never install or handle it in any of the following conditions as doing so could cause an operation fault or failure.



**Fig. 2-8:** Conditions that could cause an operation fault or failure

## 2.4 Enclosure design

When an inverter enclosure is to be designed and manufactured, heat generated by contained equipment, etc., the environment of an operating place, and others must be fully considered to determine the enclosure structure, size and equipment layout. The inverter unit uses many semiconductor devices. To ensure higher reliability and long period of operation, operate the inverter in the ambient environment that completely satisfies the equipment specifications.

### 2.4.1 Inverter installation environment

As the inverter installation environment should satisfy the standard specifications indicated in the following table, operation in any place that does not meet these conditions not only deteriorates the performance and life of the inverter, but also causes a failure. Refer to the following points and take adequate measures.

Item	Specification
Ambient temperature	-10°C to +50°C (non-freezing)
Ambient humidity	90% RH or less (non-condensing)
Atmosphere	Free from corrosive and explosive gases, dust and dirt
Maximum altitude	1000m or less
Vibration	5.9m/s <sup>2</sup> or less (0,6 g) at 10 to 55Hz (directions of X, Y, Z axes)

**Tab. 2-1:** Environmental standard specifications of inverter

#### Temperature

The permissible ambient temperature of the inverter FR-E700SC is between -10 and +50°C. Always operate the inverter within this temperature range. Operation outside this range will considerably shorten the service lives of the semiconductors, parts, capacitors and others. Take the following measures so that the ambient temperature of the inverter falls within the specified range.

- Measures against high temperature
  - Use a forced ventilation system or similar cooling system. (Refer to page 2-10.)
  - Install the enclosure in an air-conditioned electrical chamber.
  - Block direct sunlight.
  - Provide a shield or similar plate to avoid direct exposure to the radiated heat and wind of a heat source.
  - Ventilate the area around the enclosure well.
- Measures against low temperature
  - Provide a space heater in the enclosure.
  - Do not power off the inverter. (Keep the start signal of the inverter off.)
- Sudden temperature changes
  - Select an installation place where temperature does not change suddenly.
  - Avoid installing the inverter near the air outlet of an air conditioner.
  - If temperature changes are caused by opening/closing of a door, install the inverter away from the door.

### Humidity

Normally operate the inverter within the 45 to 90% range of the ambient humidity. Too high humidity will pose problems of reduced insulation and metal corrosion. On the other hand, too low humidity may produce a spatial electrical breakdown. The insulation distance specified in JEM1103 "Control Equipment Insulator" is defined as humidity 45 to 85%.

- Measures against high humidity
  - Make the enclosure enclosed, and provide it with a hygroscopic agent.
  - Take dry air into the enclosure from outside.
  - Provide a space heater in the enclosure

- Measures against low humidity

What is important in fitting or inspection of the unit in this status is to discharge your body (static electricity) beforehand and keep your body from contact with the parts and patterns, besides blowing air of proper humidity into the enclosure from outside.

- Measures against condensation

Condensation may occur if frequent operation stops change the in-enclosure temperature suddenly or if the outside air temperature changes suddenly. Condensation causes such faults as reduced insulation and corrosion.

- Take the measures against high humidity.
- Do not power off the inverter. (Keep the start signal of the inverter off.)

### Dust, dirt, oil mist

Dust and dirt will cause such faults as poor contact of contact points, reduced insulation or reduced cooling effect due to moisture absorption of accumulated dust and dirt, and in-enclosure temperature rise due to clogged filter.

In the atmosphere where conductive powder floats, dust and dirt will cause such faults as malfunction, deteriorated insulation and short circuit in a short time.

Since oil mist will cause similar conditions, it is necessary to take adequate measures.

- Measures against dust, dirt, oil mist
  - Place in a totally enclosed enclosure.  
Take measures if the in-enclosure temperature rises. (Refer to page 2-10.)
  - Purge air.  
Pump clean air from outside to make the in-enclosure pressure higher than the outside-air pressure.

### Corrosive gas, salt damage

If the inverter is exposed to corrosive gas or to salt near a beach, the printed board patterns and parts will corrode or the relays and switches will result in poor contact. In such places, take the measures against dust, dirt, oil mist.

**Explosive, flammable gases**

As the inverter is non-explosion proof, it must be contained in an explosion proof enclosure.

In places where explosion may be caused by explosive gas, dust or dirt, an enclosure cannot be used unless it structurally complies with the guidelines and has passed the specified tests. This makes the enclosure itself expensive (including the test charges).

The best way is to avoid installation in such places and install the inverter in a non-hazardous place.

**Highland**

Use the inverter at the altitude of within 1000m.

If it is used at a higher place, it is likely that thin air will reduce the cooling effect and low air pressure will deteriorate dielectric strength.

**Vibration, impact**

The vibration resistance of the inverter is up to  $5.9\text{m/s}^2$  at 10 to 55Hz frequency and 1mm amplitude for the directions of X, Y, Z axes.

Vibration or impact, if less than the specified value, applied for a long time may make the mechanism loose or cause poor contact to the connectors.

Especially when impact is imposed repeatedly, caution must be taken as the part pins are likely to break.

**● Countermeasures**

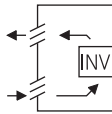
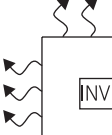
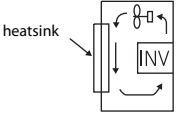
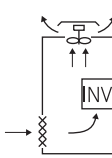
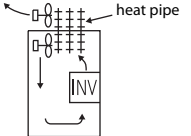
- Provide the enclosure with rubber vibration isolators.
- Strengthen the structure to prevent the enclosure from resonance.
- Install the enclosure away from sources of vibration.

**Cooling system types for inverter enclosure**

From the enclosure that contains the inverter, the heat of the inverter and other equipment (transformers, lamps, resistors, etc.) and the incoming heat such as direct sunlight must be dissipated to keep the in-enclosure temperature lower than the permissible temperatures of the in-enclosure equipment including the inverter.

The cooling systems are classified as follows in terms of the cooling calculation method.

- Cooling by natural heat dissipation from the enclosure surface (totally enclosed type)
- Cooling by heat sink (aluminium fin, etc.)
- Cooling by ventilation (forced ventilation type, pipe ventilation type)
- Cooling by heat exchanger or cooler (heat pipe, cooler, etc.)

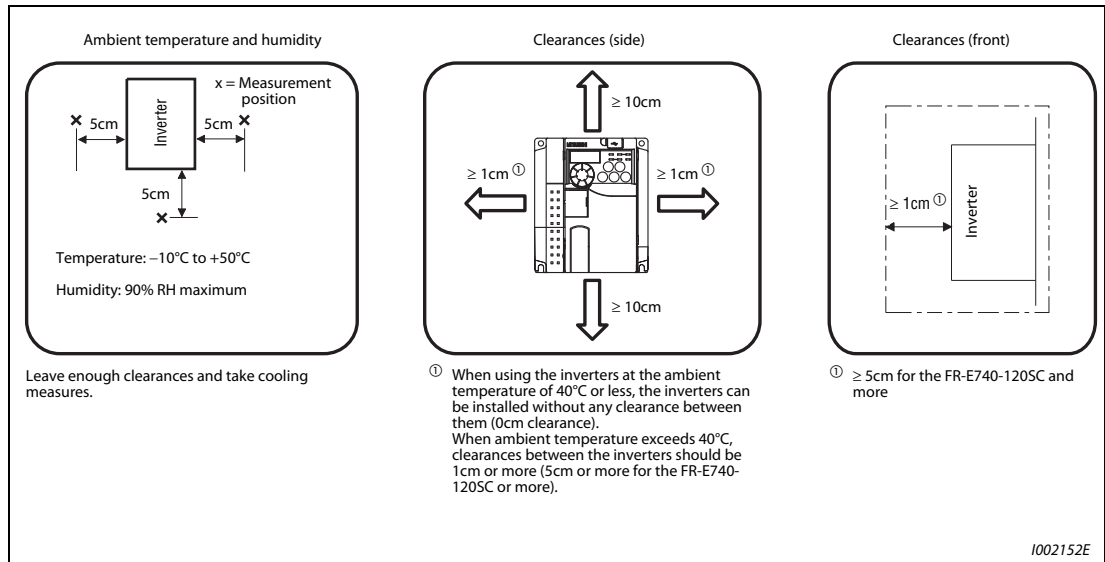
Cooling System		Enclosure Structure	Comment
Natural cooling	Natural ventilation (Enclosed, open type)	 <p style="text-align: center;">1001000E</p>	Low in cost and generally used, but the enclosure size increases as the inverter capacity increases. For relatively small capacities.
	Natural ventilation (Totally enclosed type)	 <p style="text-align: center;">1001001E</p>	Being a totally enclosed type, the most appropriate for hostile environment having dust, dirt, oil mist, etc. The enclosure size increases depending on the inverter capacity.
Forced cooling	Heatsink cooling	 <p style="text-align: center;">1001002E</p>	Having restrictions on the heatsink mounting position and area, and designed for relative small capacities.
	Forced ventilation	 <p style="text-align: center;">1001003E</p>	For general indoor installation. Appropriate for enclosure downsizing and cost reduction, and often used.
	Heat pipe	 <p style="text-align: center;">1001004E</p>	Totally enclosed type for enclosure downsizing.

**Tab. 2-2:** Cooling system types for inverter enclosure

## 2.4.2 Inverter placement

### Clearances around the inverter

Always observe the specified minimum clearances to ensure good heat dissipation and adequate accessibility of the frequency inverter for servicing.



**Fig. 2-9:** Clearances

### Inverter mounting orientation

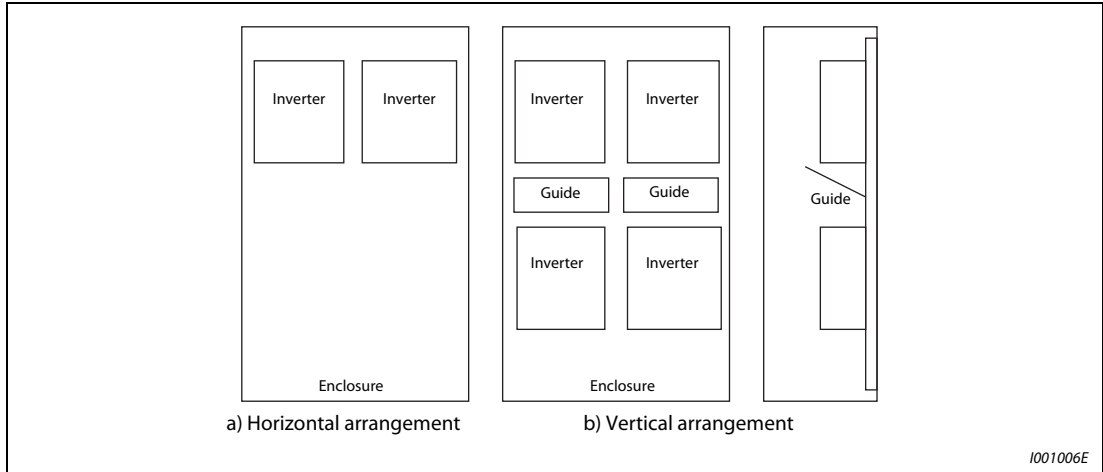
Mount the inverter on a wall as specified. Do not mount it horizontally or any other way.

### Above the inverter

Heat is blown up from inside the inverter by the small fan built in the unit. Any equipment placed above the inverter should be heat resistant.

**Arrangement of multiple inverters**

When multiple inverters are placed in the same enclosure, generally arrange them horizontally as shown in the figure (a). When it is inevitable to arrange them vertically to minimize space, take such measures as to provide guides since heat from the bottom inverters can increase the temperatures in the top inverters, causing inverter failures.



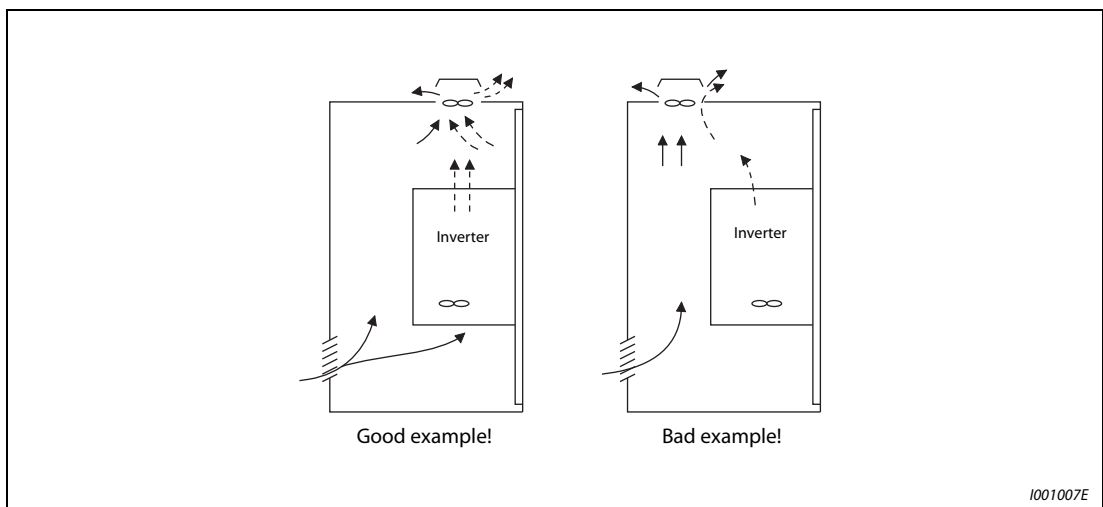
**Fig. 2-10:** Arrangement of multiple inverters

**NOTE**

When mounting multiple inverters, fully take caution not to make the ambient temperature of the inverter higher than the permissible value by providing ventilation and increasing the enclosure size.

**Placement of ventilation fan and inverter**

Heat generated in the inverter is blown up from the bottom of the unit as warm air by the cooling fan. When installing a ventilation fan for that heat, determine the place of ventilation fan installation after fully considering an air flow. (Air passes through areas of low resistance. Make an airway and airflow plates to expose the inverter to cool air.)



**Fig. 2-11:** Placement of ventilation fan and inverter



# 3 Wiring

## 3.1 Inverter and peripheral devices

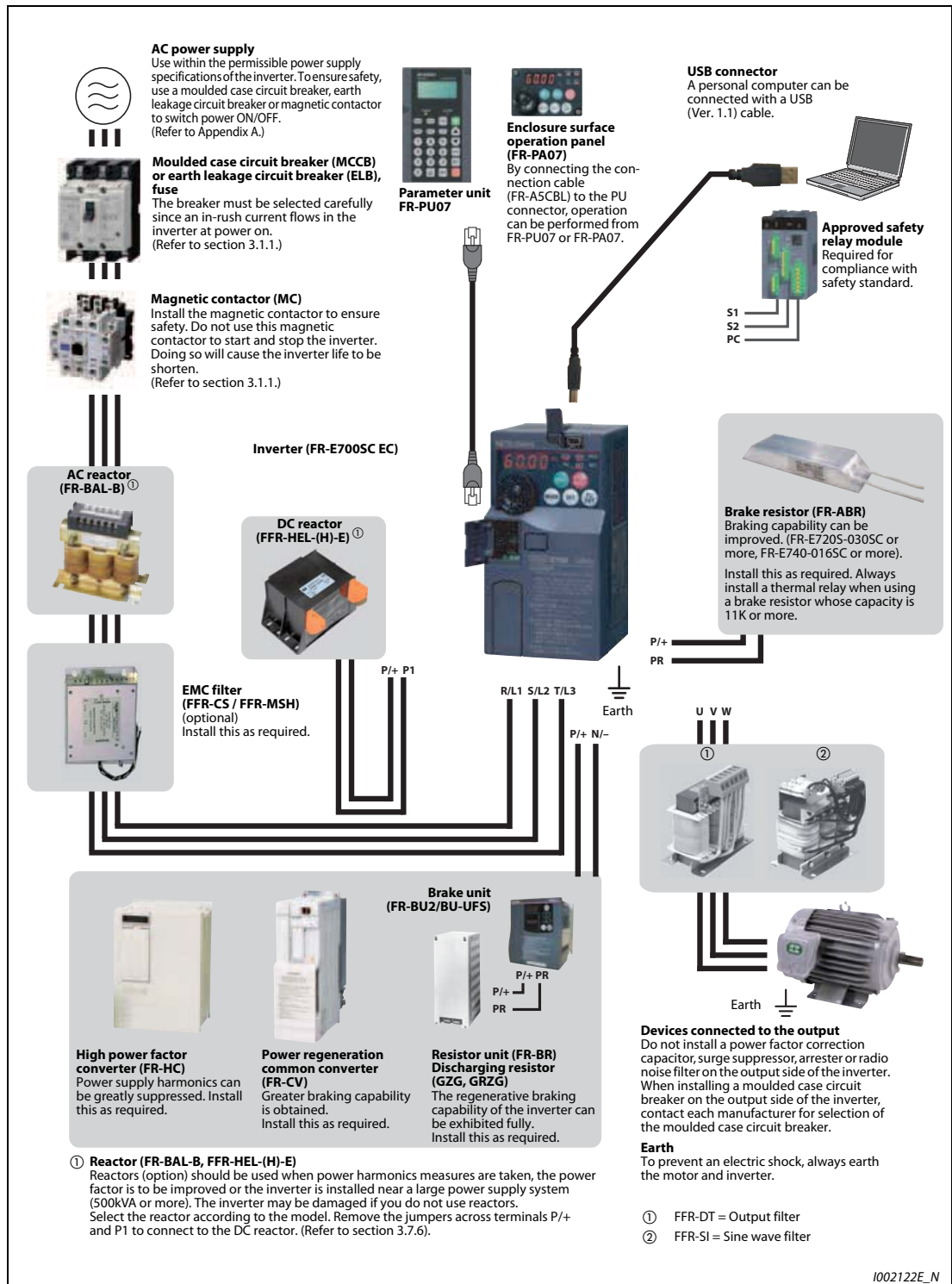


Fig. 3-1: System configuration overview

**NOTES**

The life of the inverter is influenced by ambient temperature. The ambient temperature should be as low as possible within the permissible range. Especially when mounting the inverter inside an enclosure, take cautions of the ambient temperature. (Refer to section 2.4.2.)

Wrong wiring might lead to damage of the inverter. The control signal lines must be kept fully away from the main circuit to protect them from noise. (Refer to section 3.2.)

Do not install a power factor correction capacitor or surge suppressor on the inverter output side. This will cause the inverter to trip or the capacitor and surge suppressor to be damaged. If any of the above devices are connected, immediately remove them.

**Electromagnetic Compatibility**

Operation of the frequency inverter can cause electromagnetic interference in the input and output that can be propagated by cable (via the power input lines), by wireless radiation to nearby equipment (e.g. AM radios) or via data and signal lines.

Activate the integrated EMC filter (and an additional optional filter if present) to reduce air propagated interference on the input side of the inverter. Use AC or DC reactors to reduce line propagated noise (harmonics). Use shielded motor power lines to reduce output noise (refer also to section 3.8 Electromagnetic Compatibility).

Refer to the instruction manual of each option and peripheral devices for details of peripheral devices.

### 3.1.1 Peripheral devices

Check the motor capacity of the inverter you purchased. Appropriate peripheral devices must be selected according to the capacity. Refer to the following list and prepare appropriate peripheral devices:

Motor Output [kW]	Applicable Inverter Type	Breaker Selection ①		Input Side Magnetic Contactor ②		
		Reactor Connection		Reactor Connection		
		Without	With	Without	With	
200V class	0.1	FR-E720S-008SC	NF32 xx 3P 5 A		S-N10	
	0.2	FR-E720S-015SC				
	0.4	FR-E720S-030SC	NF32 xx 3P 10 A			
	0.75	FR-E720S-050SC	NF32 xx 3P 15 A	NF32 xx 3P 10 A		
	1.5	FR-E720S-080SC	NF63 xx 3P 20 A			
	2.2	FR-E720S-110SC	NF32 xx 3P 40 A	NF32 xx 3P 32 A	S-N20, S-N21	S-N10
400V class	0.4	FR-E740-016SC	NF32 xx 3P 5 A		S-N10	
	0.75	FR-E740-026SC				
	1.5	FR-E740-040SC	NF32 xx 3P 10 A			
	2.2	FR-E740-060SC	NF32 xx 3P 15 A	NF32 xx 3P 10 A		
	3.7	FR-E740-095SC	NF63 xx 3P 20 A	NF32 xx 3P 15 A		
	5.5	FR-E740-120SC	NF63 xx 3P 30 A	NF63 xx 3P 20 A	S-N20	S-N11
	7.5	FR-E740-170SC	NF63 xx 3P 30 A	NF63 xx 3P 30 A	S-N20	
	11	FR-E740-230SC	NF63 xx 3P 50 A	NF63 xx 3P 40 A		
15	FR-E740-300SC	NF125 xx 3P 100 A	NF63 xx 3P 50 A	S-N25	S-N20	

Tab. 3-1: Breakers and contactors

- ① Select the MCCB according to the inverter power supply capacity. Install one MCCB per inverter. The places with "xx" refer to the breaking capacity in case of short circuit. The correct selection must be done depending on the design of the power input wiring.

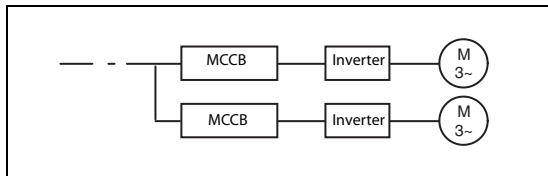


Fig. 3-2: Installation of the breakers

1001332E

- ② Magnetic contactor is selected based on the AC-1 class. The electrical durability of magnetic contactor is 500,000 times. When the magnetic contactor is used for emergency stop during motor driving, the electrical durability is 25 times. When using the MC for emergency stop during motor driving or using on the motor side during commercial-power supply operation, select the MC with class AC-3 rated current for the motor rated current.

**NOTES**

When the inverter capacity is larger than the motor capacity, select an MCCB and a magnetic contactor according to the inverter type and cable and reactor according to the motor output.

When the breaker on the inverter primary side trips, check for the wiring fault (short circuit), damage to internal parts of the inverter, etc. Identify the cause of the trip, then remove the cause and power on the breaker.

### 3.2 Terminal connection diagramm

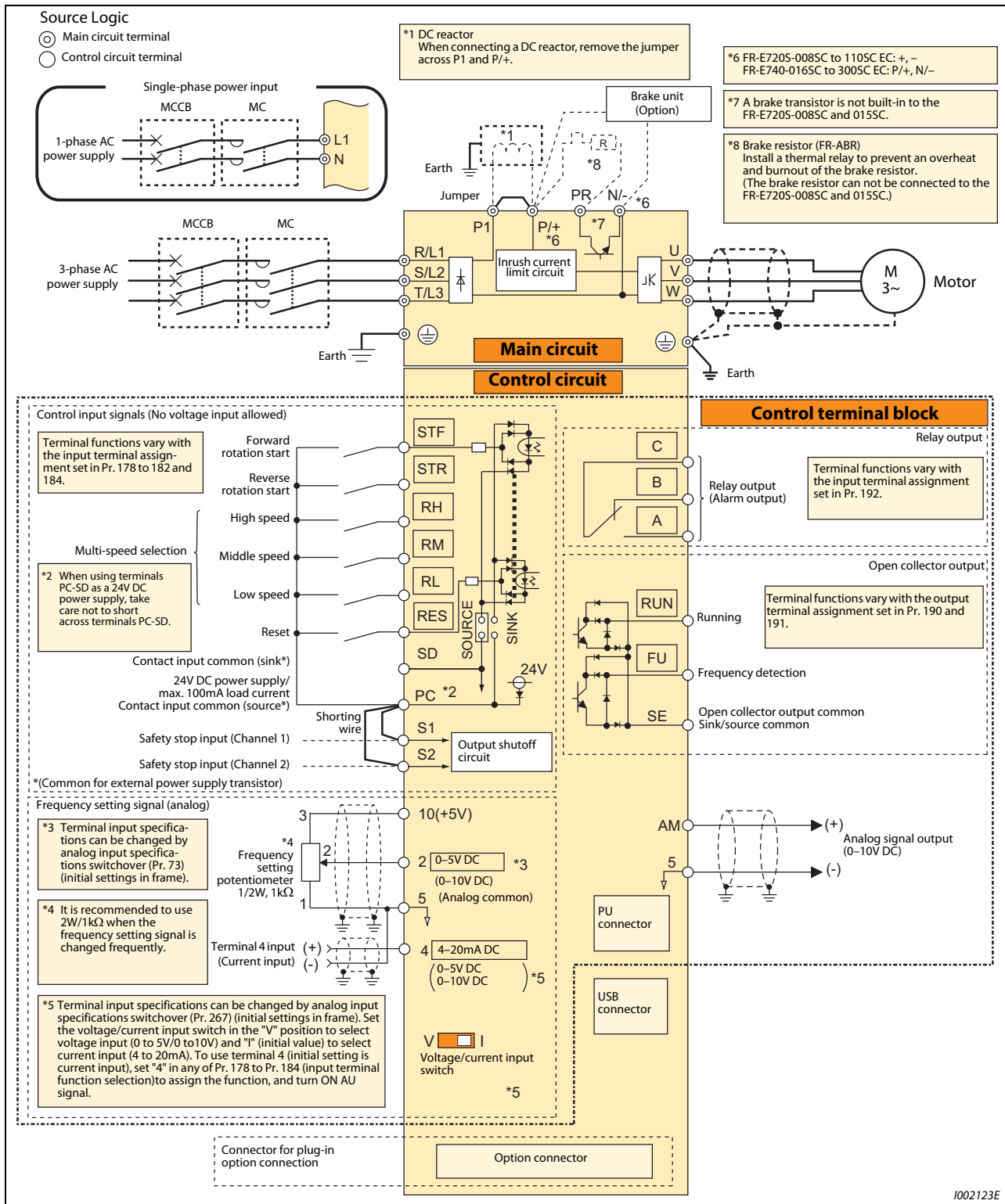


Fig. 3-3: Terminal connection diagram of the inverter

**NOTES**

To prevent a malfunction due to noise, keep the signal cables more than 10cm away from the power cables. Also separate the main circuit wire of the input side and the output side.

After wiring, wire offcuts must not be left in the inverter.

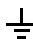
Wire offcuts can cause an alarm, failure or malfunction. Always keep the inverter clean.

When drilling mounting holes in an enclosure etc., take care not to allow chips and other foreign matter to enter the inverter.

The output of the single-phase power input specification is three-phase 230V.

## 3.3 Main circuit connection

### 3.3.1 Specification of main circuit terminals

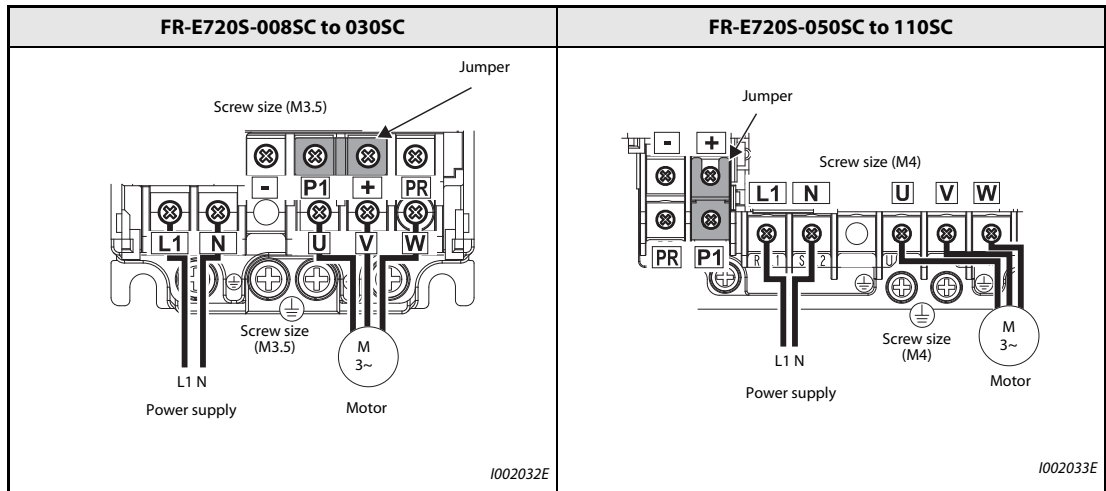
Terminal	Name	Description
R/L1, S/L2, T/L3 ①	AC power input	Connect to the commercial power supply. Keep these terminals open when using the high power factor converter (FR-HC) or power regeneration common converter (FR-CV).
U, V, W	Inverter output	Voltage output of the inverter (3~, 0V–power supply voltage, 0.2–400Hz)
P/+ ②, PR	Brake resistor connection	Connect a brake resistor (FR-ABR) across terminals P/+ and PR. (The brake resistor can not be connected to the FR-E720S-008SC and 015SC.)
P/+ ②, N/- ③	Brake unit connection	Connect the brake unit (FR-BU2), power regeneration common converter (FR-CV) or high power factor converter (FR-HC).
P/+ ②, P1	DC reactor connection	Remove the jumper across terminals P/+ and P1 and connect a DC reactor.
	PE	For earthing the inverter chassis. Must be earthed.

**Tab. 3-2:** Specification of main circuit terminal

- ① When using single-phase power input, terminals are L1, N.
- ② Indicated as "+" on the terminal block of the single-phase power input model.
- ③ Indicated as "-" on the terminal block of the single-phase power input model.

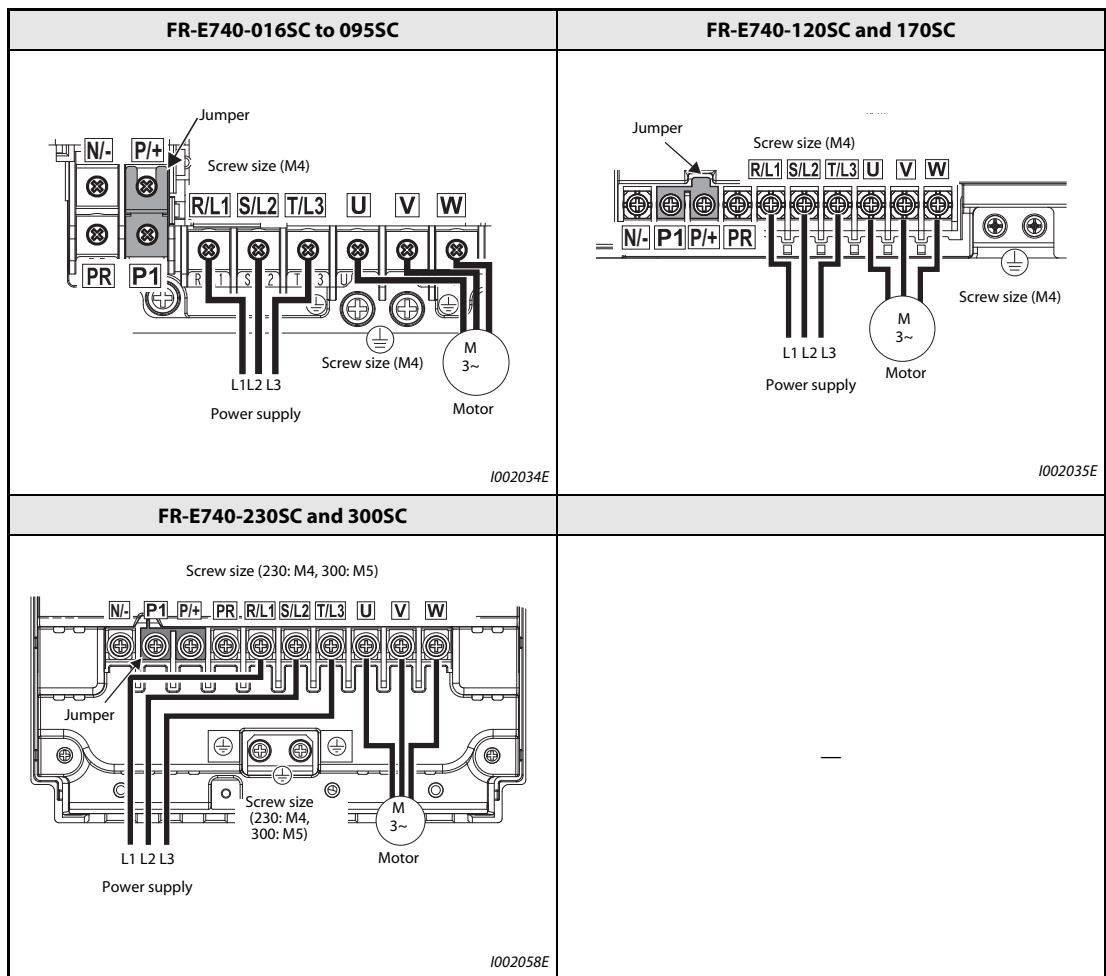
### 3.3.2 Terminal layout and wiring

#### Single-phase, 200V class



Tab. 3-3: Terminal layout and wiring

#### Three-phase, 400V class



Tab. 3-4: Terminal layout and wiring

**CAUTION:**

- *The power supply cables must be connected to R/L1, S/L2, T/L3. Never connect the power cable to the U, V, W of the inverter. Doing so will damage the inverter. (Phase sequence needs not to be matched.)*
- *Connect the motor to U, V, W.  
At this time, turning on the forward rotation switch (signal) rotates the motor in the counter clockwise direction when viewed from the motor shaft.*



### Cables and wiring length

Select the recommended cable size to ensure that a voltage drop will be 2% max.

If the wiring distance is long between the inverter and motor, a main circuit cable voltage drop will cause the motor torque to decrease especially at the output of a low frequency.

The following tables indicate a selection example for the wiring length of 20m.

200V class (when input power supply is 230V)

Applicable Inverter Type	Terminal Screw Size ④	Tightening Torque [Nm]	Crimping Terminal		Cable Size							
					HIV etc. [mm <sup>2</sup> ] ①			AWG ②		PVC [mm <sup>2</sup> ] ③		
			L1, N, P1, +	U, V, W	L1, N, P1, +	U, V, W	Earth cable gauge	L1, N, P1, +	U, V, W	L1, N, P1, +	U, V, W	Earth cable gauge
FR-E720S-008SC to 030SC	M3.5	1.2	2-3.5	2-3.5	2	2	2	14	14	2.5	2.5	2.5
FR-E720S-050SC	M4	1.5	2-4	2-4	2	2	2	14	14	2.5	2.5	2.5
FR-E720S-080SC	M4	1.5	2-4	2-4	2	2	2	14	14	2.5	2.5	2.5
FR-E720S-110SC	M4	1.5	5.5-4	2-4	3.5	2	3.5	12	14	4	2.5	2.5

**Tab. 3-5:** Cable size

400V class (when input power supply is 440V)

Applicable Inverter Type	Terminal Screw Size ④	Tightening Torque [Nm]	Crimping Terminal		Cable Size							
					HIV etc. [mm <sup>2</sup> ] ①			AWG ②		PVC [mm <sup>2</sup> ] ③		
			R/L1, S/L2, T/L3, P1, P/+	U, V, W	R/L1, S/L2, T/L3, P1, P/+	U, V, W	Earth cable gauge	R/L1, S/L2, T/L3, P1, P/+	U, V, W	R/L1, S/L2, T/L3, P1, P/+	U, V, W	Earth cable gauge
FR-E740-016SC to 095SC	M4	1.5	2-4	2-4	2	2	2	14	14	2.5	2.5	2.5
FR-E740-120SC	M4	1.5	5.5-4	2-4	3.5	2	3.5	12	14	4	2.5	4
FR-E740-170SC	M4	1.5	5.5-4	5.5-4	3.5	3.5	3.5	12	12	4	4	4
FR-E740-230SC	M4	1.5	5.5-4	5.5-4	5.5	5.5	8	10	10	6	6	10
FR-E740-300SC	M5	2.5	8-5	8-5	8	8	8	8	8	10	10	10

**Tab. 3-6:** Cable size

- ① The recommended cable size is that of the HIV cable (600V class 2 vinyl-insulated cable) with continuous maximum permissible temperature of 75°C. Assumes that the ambient temperature is 50°C or less and the wiring distance is 20m or less.
- ② The recommended cable size is that of the THHW cable with continuous maximum permissible temperature of 75°C. Assumes that the ambient temperature is 40°C or less and the wiring distance is 20m or less.  
(Selection example for use mainly in the United States.)
- ③ The recommended cable size is that of the PVC cable with continuous maximum permissible temperature of 70°C. Assumes that the ambient temperature is 40°C or less and the wiring distance is 20m or less. (Selection example for use mainly in Europe.)
- ④ The terminal screw size indicates the terminal size for R/L1, S/L2, T/L3, U, V, W, PR, P/+, N/- and P1 and a screw for earthing. (For single-phase power input, the terminal screw size indicates the size of terminal screw for L1, N, U, V, W, PR, +, - and P1 and a screw for earthing (grounding).)

The line voltage drop can be calculated by the following expression:

$$\text{Line voltage drop [V]} = \frac{\sqrt{3} \times \text{wire resistance [m}\Omega\text{/m]} \times \text{wiring distance [m]} \times \text{current [A]}}{1000}$$

Use a larger diameter cable when the wiring distance is long or when it is desired to decrease the voltage drop (torque reduction) in the low speed range.

**CAUTION:**

- *Tighten the terminal screw to the specified torque. A screw that has been tightened too loosely can cause a short circuit or malfunction. A screw that has been tightened too tightly can cause a short circuit or malfunction due to the unit breakage.*
- *Use crimping terminals with insulation sleeve to wire the power supply and motor.*

## Notes on earthing

**CAUTION:**

**Leakage currents flow in the inverter or the EMC filter respectively. To prevent an electric shock, the inverter, input filter and motor must be earthed. (This inverter must be earthed. Earthing must conform to the requirements of national and local safety regulations and electrical codes. (JIS, NEC section 250, IEC 536 class 1 and other applicable standards)).**

Use the dedicated earth terminal to earth the inverter. (Do not use the screw in the casing, chassis, etc.)

Use the thickest possible earth cable. Use the cable whose size is equal to or greater than that indicated in Tab. 3-6, and minimize the cable length. The earthing point should be as near as possible to the inverter.

Always earth the motor and inverter.

- Purpose of earthing

Generally, an electrical apparatus has an earth terminal, which must be connected to the ground before use.

An electrical circuit is usually insulated by an insulating material and encased. However, it is impossible to manufacture an insulating material that can shut off a leakage current completely, and actually, a slight current flow into the case. The purpose of earthing the case of an electrical apparatus is to prevent operator from getting an electric shock from this leakage current when touching it.

To avoid the influence of external noises, this earthing is important to audio equipment, sensors, computers and other apparatuses that handle low-level signals or operate very fast.

- Earthing methods and earthing work

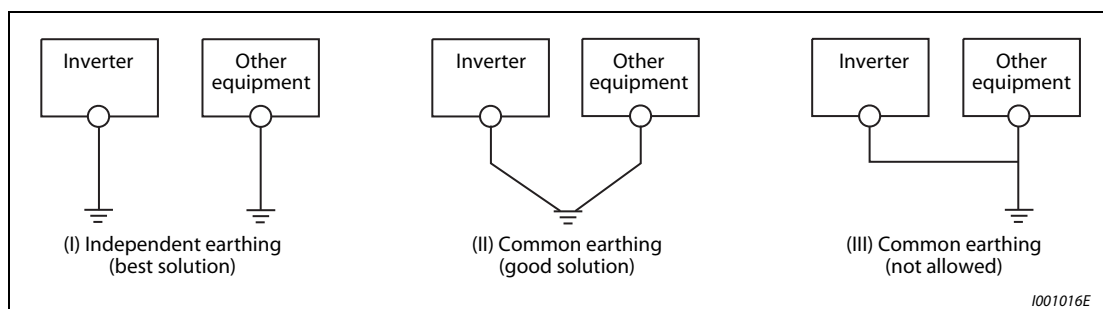
As described previously, earthing is roughly classified into an electrical shock prevention type and a noise affected malfunction prevention type. Therefore, these two types should be discriminated clearly, and the following work must be done to prevent the leakage current having the inverter's high frequency components from entering the malfunction prevention type earthing:

- Where possible, use independent earthing for the inverter. If independent earthing (I) is impossible, use joint earthing (II) where the inverter is connected with the other equipment at an earthing point. Joint earthing as in (III) must be avoided as the inverter is connected with the other equipment by a common earth cable.

Also a leakage current including many high frequency components flows in the earth cables of the inverter and inverter-driven motor. Therefore, they must use the independent earthing method and be separated from the earthing of equipment sensitive to the aforementioned noises.

In a tall building, it will be a good policy to use the noise malfunction prevention type earthing with steel frames and carry out electric shock prevention type earthing in the independent earthing method.

- This inverter must be earthed. Earthing must conform to the requirements of national and local safety regulations and electrical codes. (JIS, NEC section 250, IEC 536 class 1 and other applicable standards).
- Use the thickest possible earth cable. The earth cable should be of not less than the size indicated in Tab. 3-6.
- The grounding point should be as near as possible to the inverter, and the ground wire length should be as short as possible.
- Run the earth cable as far away as possible from the I/O wiring of equipment sensitive to noises and run them in parallel in the minimum distance.



**Fig. 3-4:** Earthing the drive

### Total wiring length

The maximum possible length of the motor cables depends on the capacity of the inverter and the selected carrier frequency.

The lengths in the following table are for unshielded cables. When shielded cables are used divide the values listed in the table by 2.

#### 200V class

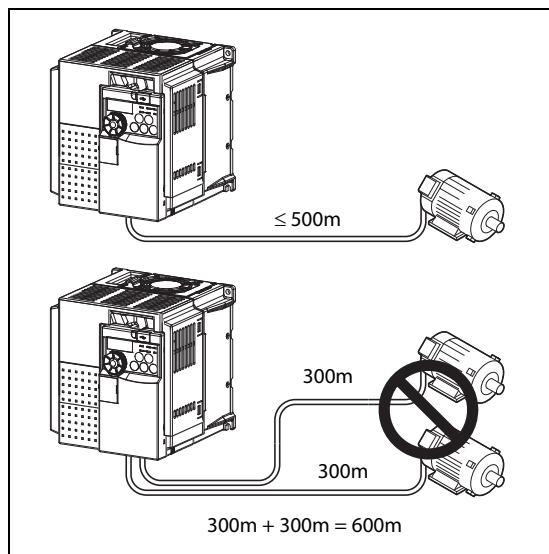
Pr. 72 "PWM frequency selection" Setting (carrier frequency)	FR-E720S-					
	008SC	015SC	030SC	050SC	080SC	110SC
≤ 1 (1kHz)	200m	200m	300m	500m	500m	500m
2 to 15 (2kHz to 14.5kHz)	30m	100m	200m	300m	500m	500m

**Tab. 3-7:** Total wiring length

#### 400V class

Pr. 72 "PWM frequency selection" Setting (carrier frequency)	FR-E740-				
	016SC	026SC	040SC	060SC	≥ 095SC
≤ 1 (1kHz)	200m	200m	300m	500m	500m
2 to 15 (2kHz to 14.5kHz)	30m	100m	200m	300m	500m

**Tab. 3-8:** Total wiring length



**Fig. 3-5:**

Remember that in the table above the total wiring length is what is being referred to. In parallel connections of several motors every motor wire must be counted. In this example, for the frequency inverter with an output capacity of 3.7kW the permissible wiring length is exceeded by the two parallel motor lead wires.

1001904E

**NOTES**

Note that the motor windings are subjected to significantly higher loads when the motor is operated by inverter than with normal mains operation. The motors must be approved for inverter operation by the manufacturer (refer also to section 3.8.4).

Especially for long-distance wiring, the inverter may be affected by a charging current caused by the stray capacitances of the wiring, leading to a malfunction of the overcurrent protective function, fast response current limit function, or stall prevention function or a malfunction or fault of the equipment connected on the inverter output side.

If fast-response current limit malfunctions, disable this function. When the stall prevention function misoperates, increase the stall level. (Refer to Pr. 22 "Stall prevention operation level" and Pr. 156 "Stall prevention operation selection".)

Refer to section 6.15.1 for details of Pr. 72 "PWM frequency selection".

When using the automatic restart after instantaneous power failure function with wiring length exceeding than 100m, select without frequency search (Pr. 162 = "1, 11").



## 3.4 Control circuit specifications

The functions of the terminals highlighted in grey can be adjusted with parameters 178 to 184 "Input terminal function assignment" and parameters 190 to 192 "Output terminal function assignment" (refer to section 6.10). The listed settings show the default configuration as shipped, which you can restore by resetting to the factory defaults.

### Input signals

	Terminal	Name	Description	Rated Specifications	Refer to Page
Contact input	STF	Forward rotation start	Turn on the STF signal to start forward rotation and turn it off to stop.	Input resistance: 4.7kΩ	6-114
	STR	Reverse rotation start	Turn on the STR signal to start reverse rotation and turn it off to stop.		
	RH, RM, RL	Multi-speed selection	Multi-speed can be selected according to the combination of RH, RM and RL signals.	Voltage at opening: 21V to 26V DC	
	RES	Reset	Used to reset alarm output provided when protective function is activated. Turn on the RES signal for more than 0.1s, then turn it off. Initial setting is for reset always. By setting Pr. 75, reset can be set to enabled only at an inverter alarm occurrence. Recover about 1s after reset is cancelled.	Contacts at short-circuited: 4 to 6mA DC	
Reference point	SD	Contact input common (sink) 24V DC power supply common	A determined control function is activated, if the corresponding terminal is connected to the terminal SD (sink logic). The SD terminal is isolated from the digital circuits via opto couplers. The terminal is isolated from the reference potential of the analog circuit (terminal 5).	—	—
	PC	24V DC power supply, contact input common (source)	24V DC/0.1A output With negative logic and control via open collector transistors (e.g. a PLC) the positive pole of an external power source must be connected to the PC terminal. With positive logic the PC terminal is used as a common reference for the control inputs. This means that when positive logic is selected (default setting of the EC units) the corresponding control function is activated by connecting its terminal to the PC terminal.	Power supply voltage range: 22V to 26.5V DC Permissible load current: 100mA	3-26
Safety stop	S1	Safe stop input (Channel 1)	S1/S2 are safe stop signals for use with in conjunction with an approved external safety unit. Both S1/S2 must be used in dual channel form. Inverter output is shutoff depending on shortening/opening between S1 and PC, S2 and PC. In the initial status, terminal S1 and S2 are shorted with terminal PC by shortening wire. Remove the shortening wire and connect the safety relay module when using the safety stop function.	Input resistance: 4.7kΩ Voltage when contacts are open: 21V to 26V DC When contacts are short-circuited: 4 to 6mA DC	3-23
	S2	Safe stop input (Channel 2)			

**Tab. 3-9:** Input signals (1)

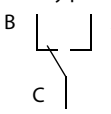
	Terminal	Name	Description	Rated Specifications	Refer to Page
Frequency setting	10 (Output voltage 5V DC)	Frequency setting power supply	Used as power supply when connecting potentiometer for frequency setting (speed setting) from outside of the inverter. Rated output voltage: 5V DC Recommended potentiometer: 1kΩ, 2W linear, multi turn potentiometer	5.2V DC ± 0.2V, Permissible load current 10mA	6-175
	2	Frequency setting (voltage)	Inputting 0 to 5V DC (or 0 to 10V) provides the maximum output frequency at 5V (10V) and makes input and output proportional. Use Pr. 73 to switch from among input 0 to 5V DC (initial setting), 0 to 10V DC.	Input resistance: 10kΩ ± 1kΩ Maximum permissible voltage: 20V DC	
	4	Frequency setting (current)	Inputting 4 to 20mADC (or 0 to 5V, 0 to 10V) provides the maximum output frequency at 20mA and makes input and output proportional. This input signal is valid only when the AU signal is on (terminal 2 input is invalid). To use terminal 4 (initial setting is current input), set "4" to any of Pr. 178 to Pr. 184 (input terminal function selection), and turn AU signal ON. Use Pr. 267 to switch from among input 4 to 20mA (initial setting), 0 to 5V DC and 0 to 10V DC. Set the voltage/current input switch in the "V" position to select voltage input (0 to 5V/0 to 10V).  <div style="display: flex; justify-content: center; align-items: center; gap: 20px;"> <div style="text-align: center;"> <p>Current input (initial status)</p>  </div> <div style="text-align: center;"> <p>Voltage input</p>  </div> </div>	Current input: Input resistance: 233Ω ± 5Ω Maximum permissible current: 30mA  Voltage input: Input resistance: 10kΩ ± 1kΩ Maximum permissible voltage: 20V DC	
	5	Frequency setting common	Terminal 5 provides the common reference potential (0V) for all analog set point values and for the analog output signals AM (voltage). The terminal is isolated from the digital circuit's reference potential (SD). This terminal should not be grounded. If local regulations require grounding of the reference potential note that this can propagate any noise in the ground potential to the control electronics, thus increasing sensitivity to interference.	—	

**Tab. 3-9:** Input signals (2)

**NOTE**

Set Pr. 267 and a voltage/current input switch correctly, then input analog signals in accordance with the settings.  
Applying a voltage with voltage/current input switch in "I" position (current input is selected) or a current with switch in "V" position (voltage input is selected) could cause component damage of the inverter or analog circuit of output devices. Refer to section 6.16 for details.

## Output signals

	Terminal	Name	Description	Rated Specifications	Refer to Page	
Relay	A, B, C	Relay output (alarm output)	The alarm is output via relay contacts. The block diagram shows the normal operation and voltage free status. If the protective function is activated, the relay picks up. 	Contact capacity: 230V AC/0.3A (Power factor: 0.4) or 30V DC/0.3A	6-124	
Open collector	RUN	Inverter running	Switched low when the inverter output frequency is equal to or higher than the starting frequency (initial value 0.5Hz). Switched high during stop or DC injection brake operation.	Permissible load: 24V DC (max. 27V DC), 0.1A (A voltage drop is 3.4V maximum when the signal is on.)		
	FU	Frequency detection	The output is switched low once the output frequency exceeds a value preset in Pr. 42 (or 43). Otherwise the FU output is switched high.			
	SE	Open collector output common	Reference potential for the signals RUN and FU. This terminal is isolated from the reference potential of the control circuit SD.	—	—	
Analog output	AM	Analog voltage output	Select one e.g. output frequency from monitor items. The output signal is proportional to the magnitude of the corresponding monitoring item. Not output during inverter reset.	Output item: Output frequency (initial setting)	Output signal: 0–10V DC Permissible load current: 1mA (load impedance: $\geq 10k\Omega$ ) Resolution: 8 bit	6-146

Tab. 3-10: Output signals

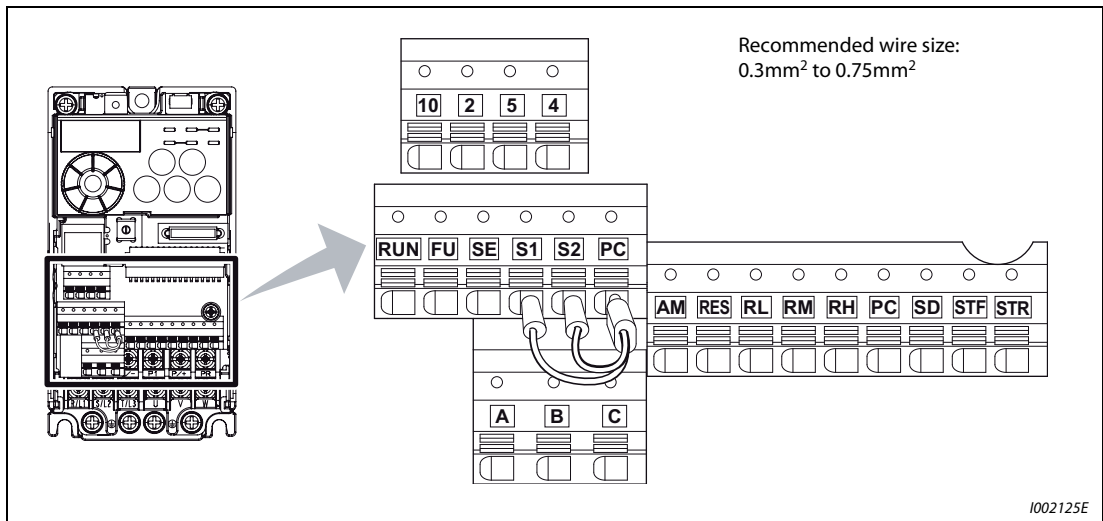
## Communication

	Name	Description	Specification	Refer to Page
RS-485	PU connector	With the PU connector, communication can be made through RS-485.	Conforming standard: EIA-485 (RS-485) Transmission format: Multidrop Communication speed: 4800 to 38400bps Overall length: 500m	3-29, 6-227
USB	USB connector	The FR Configurator can be operated by connecting the inverter to the personal computer through USB.	Interface: conforms to USB1.1 Transmission speed: 12Mbps Connector: USB mini B connector (receptacle mini B type)	3-31, 6-276

Tab. 3-11: Communication signals



### 3.4.1 Control circuit terminals

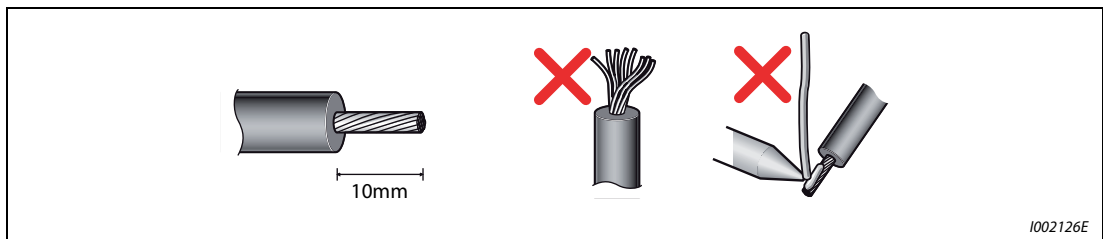


**Fig. 3-6:** Terminal layout

#### Wiring method

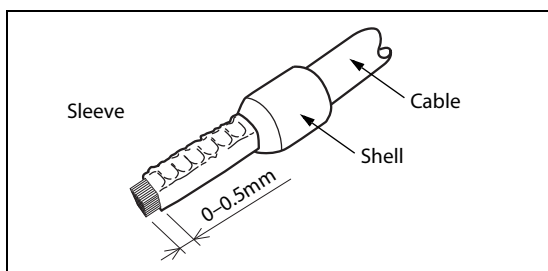
Use a bar terminal and a cable with a sheath stripped off for the control circuit wiring. For a single wire, strip off the sheath of the cable and apply directly.

- ① Remove about 10mm of the cable insulation. Wire the stripped cable after twisting it to prevent it from becoming loose. In addition, do not solder it.



**Fig. 3-7:** Preparation of the cable

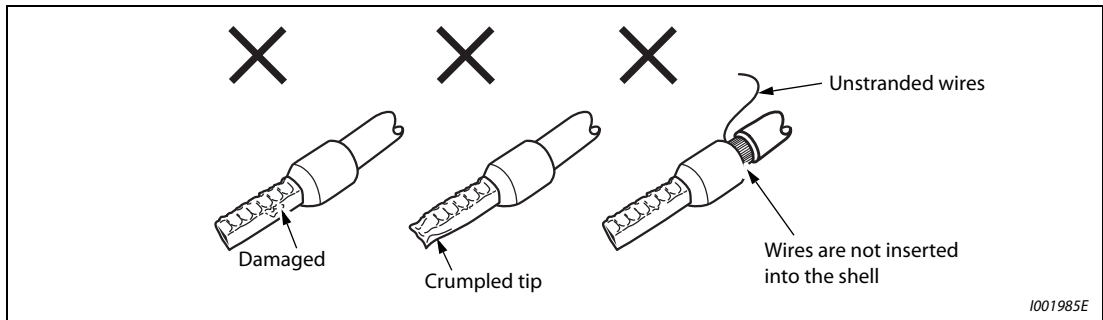
- ② Insert wires to a bar terminal, and check that the wires come out for about 0 to 0.5mm from a sleeve.



**Fig. 3-8:** Fixing of bar terminals

1001984E

- ③ Check the condition of the bar terminal after crimping. Do not use a bar terminal of which the crimping is inappropriate, or the face is damaged.



**Fig. 3-9:** Incorrectly crimped bar terminals

Wire Size[mm <sup>2</sup> ]	Bar Terminal Model			Bar Terminal Crimping Tool
	With Insulation Sleeve	Without Insulation Sleeve	For UL Wire ①	
0.3	Al 0.5-10WH	—	—	CRIMPFOX ZA3 (Maker: Phoenix Contact Co., Ltd)
0.5			Al 0.5-10WH-GB	
0.75	Al 0.75-10GY	A 0.75-10	Al 0.75-10GY-GB	
1	Al 1-10RD	A 1-10	Al 1-10RD/1000GB	
1.25/1.5	Al 1.5-10BK	A 1.5-10	Al 1.5-10BK/1000GB ②	
0.75 (for two cables)	Al-TWIN 2 × 0.75-10GY	—	—	

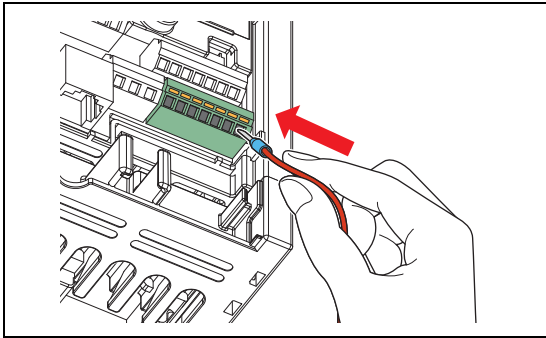
**Tab. 3-12:** Recommended bar terminals (Maker: Phoenix Contact Co., Ltd)

- ① A bar terminal with an insulation sleeve compatible with MTW wire which has a thick wire insulation
- ② Applicable for terminal ABC

Wire Size[mm <sup>2</sup> ]	Blade Terminal Product Number	Insulation Product Number	Bar Terminal Crimping Tool
0.3 to 0.75	BT 0.75-11	VC 0.75	NH 67

**Tab. 3-13:** Recommended bar terminals (Maker: NICHIFU Co., Ltd)

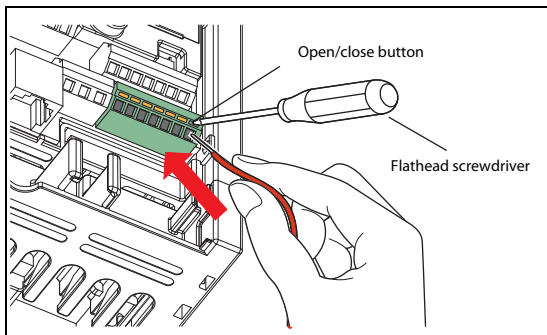
- ④ Insert the wire into a socket.



**Fig. 3-10:**  
Cable connection

I001986E

- ⑤ When using a single wire or a stranded wire without a bar terminal, push an open/close button all the way down with a flathead screw driver, and insert the wire.



**Fig. 3-11:**  
Connection of a stranded wire

I001987E

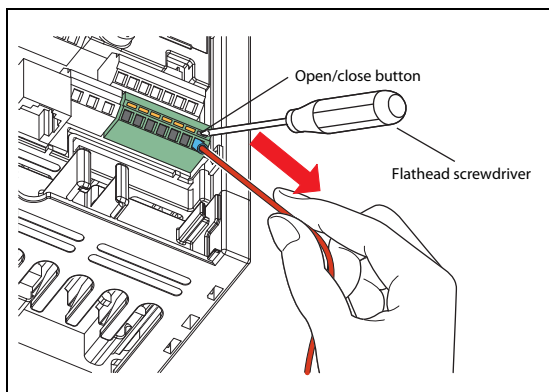


**CAUTION:**

- **When using a stranded wire without a bar terminal, twist enough to avoid short circuit with a nearby terminals or wires.**
- **Place the flathead screwdriver vertical to the open/close button. In case the blade tip slips, it may cause to damage of inverter or injury.**

**Wire removal**

Pull the wire with pushing the open/close button all the way down firmly with a flathead screwdriver



**Fig. 3-12:**  
*Wire removal*

I001988E

**CAUTION:**

- **Use a small flathead screwdriver (tip thickness: 0.4mm/tip width: 2.5mm, such as SZF 0-0.4x2.5 of Phoenix Contact Co., Ltd.). If a flathead screwdriver with a narrow tip is used, terminal block may be damaged.**
- **Place the flathead screwdriver vertical to the open/close button. In case the blade tip slips, it may cause to damage of inverter or injuries.**

### Common terminals of the control circuits PC, 5, SE

Terminals PC, 5, and SE are all common terminals (0V) for I/O signals and are isolated from each other. Avoid connecting the terminal PC and 5 and the terminal SE and 5. Terminal PC is a common terminal for the contact input terminals (STF, STR, RH, RM, RL and RES).

The open collector circuit is isolated from the internal control circuit by photocoupler.

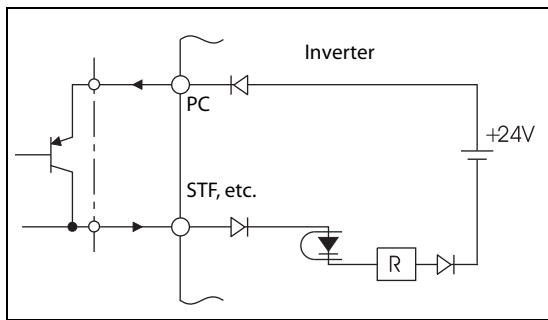
Terminal 5 is a common terminal for frequency setting signal (terminal 2 or 4) and analog output terminal AM. It should be protected from external noise using a shielded or twisted cable.

Terminal SE is a common terminal for the open collector output terminal RUN and FU.

The contact input circuit is isolated from the internal control circuit by photocoupler.

### Signal inputs by contactless switch

The contacted input terminals of the inverter (STF, STR, RH, RM, RL and RES) can be controlled using a transistor instead of a contacted switch as shown below. According to the adjusted control logic, PNP transistors (positive logic) or NPN transistors (negative logic) must be used to activate the inputs.

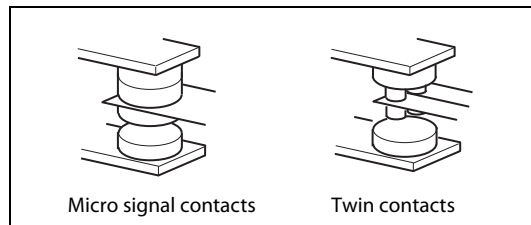


**Fig. 3-13:**  
External signal input in source logic using transistor  
(initial setting)

I001020E

### 3.4.2 Wiring instructions

- Use shielded or twisted cables for connection to the control circuit terminals and run them away from the main and power circuits (including the 230V relay sequence circuit).
- Use two or more parallel micro-signal contacts or twin contacts to prevent a contact faults when using contact inputs since the control circuit input signals are micro-currents.



**Fig. 3-14:**  
Contacts

1001021E

- Do not apply a voltage to the contact input terminals (e.g. STF) of the control circuit.
- Always apply a voltage to the alarm output terminals (A, B, C) via a relay coil, lamp, etc. In no way must a voltage be short-circuited by these relay contacts.
- It is recommended to use the cables of 0.3mm<sup>2</sup> to 0.75mm<sup>2</sup> gauge for connection to the control circuit terminals.
- The wiring length should be 30m maximum.
- Do not short terminal PC and SD. Inverter may be damaged.

### 3.4.3 Safety stop function

The terminals related to the safety stop function are shown below. For the rated specification of each terminal refer to Tab. 3-9.

Terminal		Description	
S1 ①		For input of safety stop channel 1.	Between S1 and PC / S2 and PC Open: In safety stop state. Short: Other than safety stop state.
S2 ①		For input of safety stop channel 2.	
PC ①		Common terminal for terminal S1 and S2.	—
FU ②	SAFE signal	Outputs the safety stop status The signal is output when inverter output is shut off due to the safety stop function.	OFF: Drive enabled or drive stop (at an internal safety circuit failure ④) ON: Drive stop (no internal safety circuit failure ④)
RUN ③	SAFE2 signal	Outputs when an alarm or failure is detected. The signal is output when no internal safety circuit failure ④ exists.	OFF: Internal safety circuit failure ④ ON: No internal safety circuit failure ④
SE		Common terminal for open collector outputs (terminal RUN and FU)	—

**Tab. 3-14:** Safety stop function terminals

- ① In the initial status, terminal S1 and S2 are shorted with terminal PC by shortening wire. Remove the shortening wire and connect the safety relay module when using the safety stop function.
- ② In the initial setting, output frequency detection (FU signal) is assigned to terminal FU. Set "80" to Pr. 191 "FU terminal function selection" to assign SAFE signal. The function can be assigned to other terminals by setting "80" (positive logic) or "180" (negative logic) to any of Pr. 190 to Pr. 192 (Output terminal function selection).
- ③ In the initial setting, inverter running (RUN signal) is assigned to terminal RUN. Set "81" to Pr. 190 "RUN terminal function selection" to assign SAFE2 signal. The function can be assigned to other terminals by setting "81" (positive logic) or "181" (negative logic) to any of Pr. 190 to Pr. 192 (Output terminal function selection).
- ④ At an internal safety circuit failure, one of E.SAF, E.6, E.7, and E.CPU is displayed on the operation panel.

#### NOTES

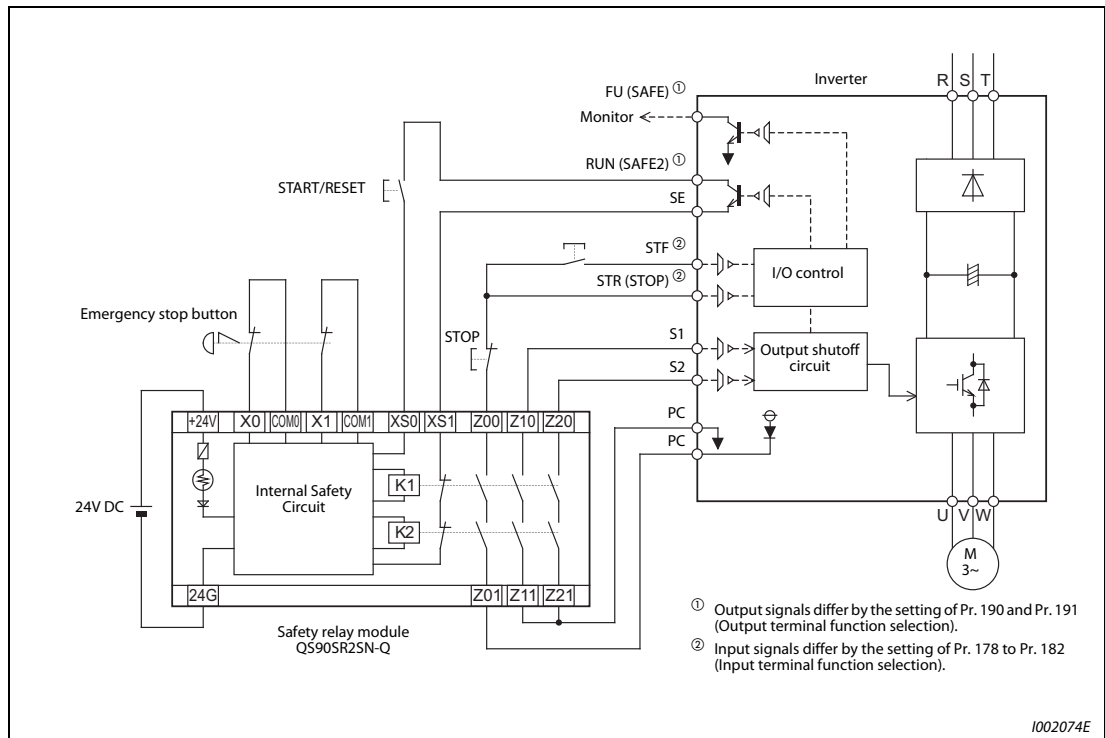
Hold the ON or OFF status for 2ms or longer to input signal to terminal S1 or S2. Signal input shorter than 2ms is not recognized.

Use SAFE signal to monitor safety stop status. SAFE signal cannot be used as safety stop input signal to other devices (other than the safety relay module).

SAFE 2 signal can only be used to output an alarm or to prevent restart of an inverter. The signal cannot be used as safety stop input signal to other devices.

**Wiring connection diagram**

To prevent restart at fault occurrence, connect terminals RUN (SAFE 2 signal) and SE to terminals XS0 and XS1, which are the feedback input terminals of the safety relay module. By setting Pr. 190 "RUN terminal function selection" = "81 (SAFE2 signal)", terminal RUN is turned OFF at fault occurrence.



**Fig. 3-15:** Connecting the Safety relay module QS90SR2SN-Q of Mitsubishi

**NOTE**

Changing the terminal assignment using Pr. 190 to Pr. 192 (output terminal function selection) may affect the other functions. Set parameters after confirming the function of each terminal.



**Safety stop function operation**

Input Power	Input Signal		Internal Safety Circuit <sup>①</sup>	Output Signal		Inverter Operation Enable Signal
	S1-PC	S2-PC		SAFE <sup>③</sup>	SAFE2 <sup>③</sup>	
OFF	—	—	—	OFF	OFF	Output shutoff (Safe state)
ON	Short	Short	No failure	OFF	ON	Drive enabled
			Failure	OFF	OFF	Output shutoff (Safe state)
	Open	Open	No failure <sup>②</sup>	ON	ON	Output shutoff (Safe state)
			Failure	OFF	OFF	Output shutoff (Safe state)
	Short	Open	Failure	OFF	OFF	Output shutoff (Safe state)
	Open	Short	Failure	OFF	OFF	Output shutoff (Safe state)

**Tab. 3-15:** Description of Safety stop function operation

- ① At an internal safety circuit failure, one of E.SAF, E.6, E.7, and E.CPU is displayed on the operation panel.
- ② SA is displayed when both of the S1 and S2 signals are in open status and no internal safety circuit failure exists.
- ③ ON: Transistor used for an open collector output is conducted.  
OFF: Transistor used for an open collector output is not conducted.

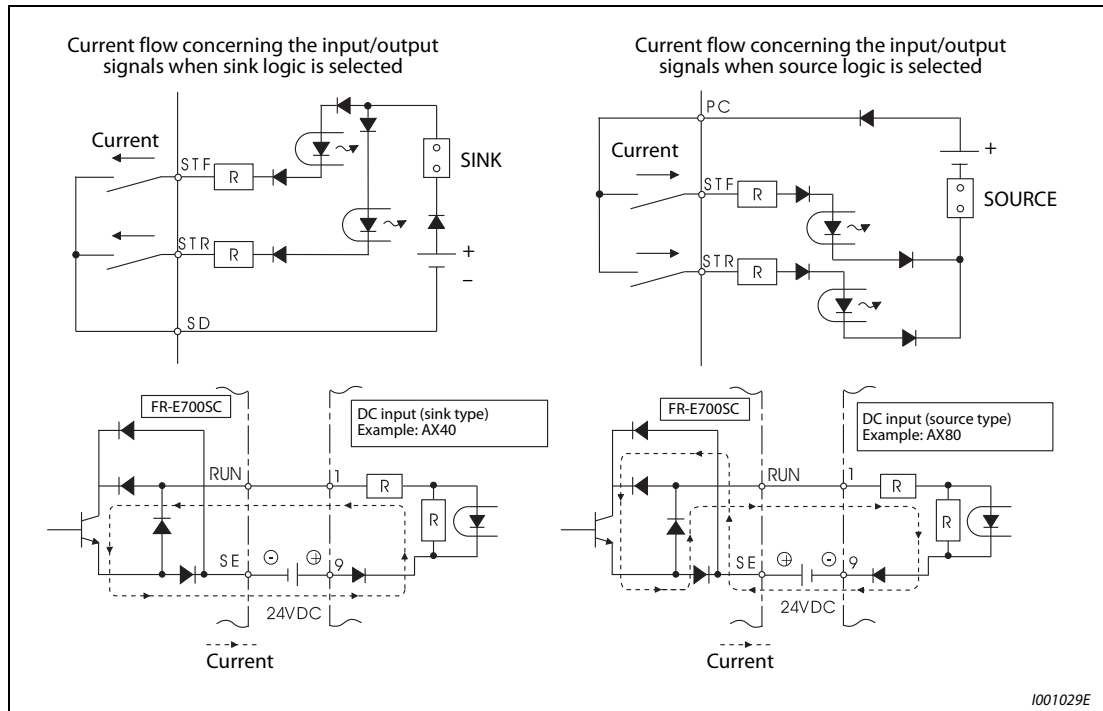
**NOTE**

For more details, refer to the Safety stop function instruction manual (BCN-A211508-004). (Please contact your sales representative for the manual.)

### 3.4.4 Changing the control logic

FR-E700SC frequency inverters offer the possibility of choosing between two types of control logic. Depending on the direction of the flowing current, one distinguishes between:

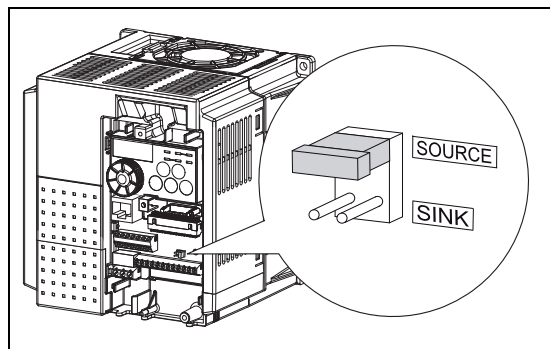
- In sink logic, a signal switches on when a current flows from the corresponding signal input terminal. Terminal SD is common to the contact input signals. Terminal SE is common to the open collector output signals.
- In source logic, a signal switches on when a current flows into the corresponding signal input terminal. Terminal PC is common to the contact input signals. Terminal SE is common to the open collector output signals.



**Fig. 3-16:** Changing the control logic

The input signals are set to source logic (SOURCE) when shipped from the factory. To change the control logic, the jumper connector above the control circuit terminal block must be moved to the other position.

(The output signals may be used in either the sink or source logic independently of the jumper connector position.)



**Fig. 3-17:** Changing the control logic

1002127E

**NOTES**

Turn off the inverter power before switching a jumper connector.

The sink-source logic change-over jumper connector must be fitted in only one of those positions. If it is fitted in both positions at the same time, the inverter may be damaged.

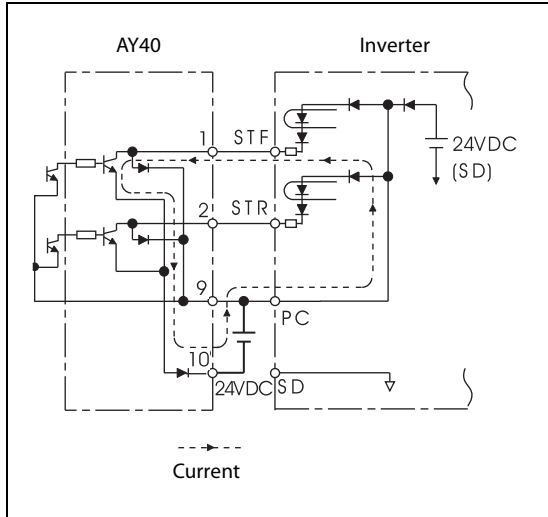
The capacity plate is placed on the front cover and the rating plate is on the inverter. Since these plates have the same serial numbers, always reinstall the removed cover onto the original inverter.

Terminal PC is always the common terminal for the safety stop input terminals (S1 and S2) of the inverter with safety stop function regardless of sink/source logic.

**Using an external power supply**

● Sink logic type

Use terminal PC as a common terminal to prevent a malfunction caused by undesirable current. (Do not connect terminal SD of the inverter with terminal 0V of the external power supply. When using terminals PC-SD as a 24V DC power supply, do not install a power supply in parallel in the outside of the inverter. Doing so may cause a malfunction due to undesirable current.)

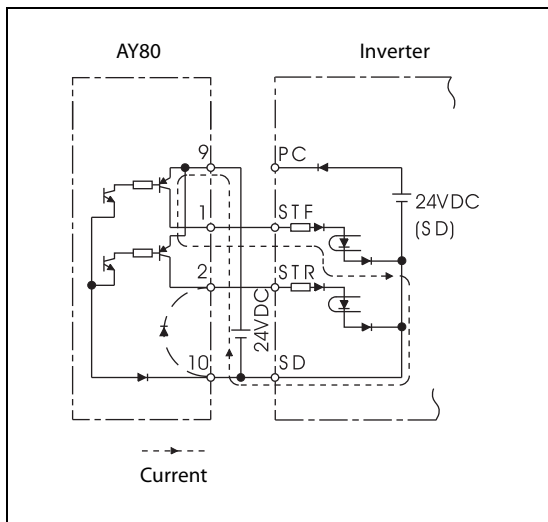


**Fig. 3-18:**  
Using an external power supply in connection with the outputs of a PLC

I001030E

● Source logic type

When using an external power supply for transistor output, use terminal SD as a common to prevent misoperation caused by undesirable current.

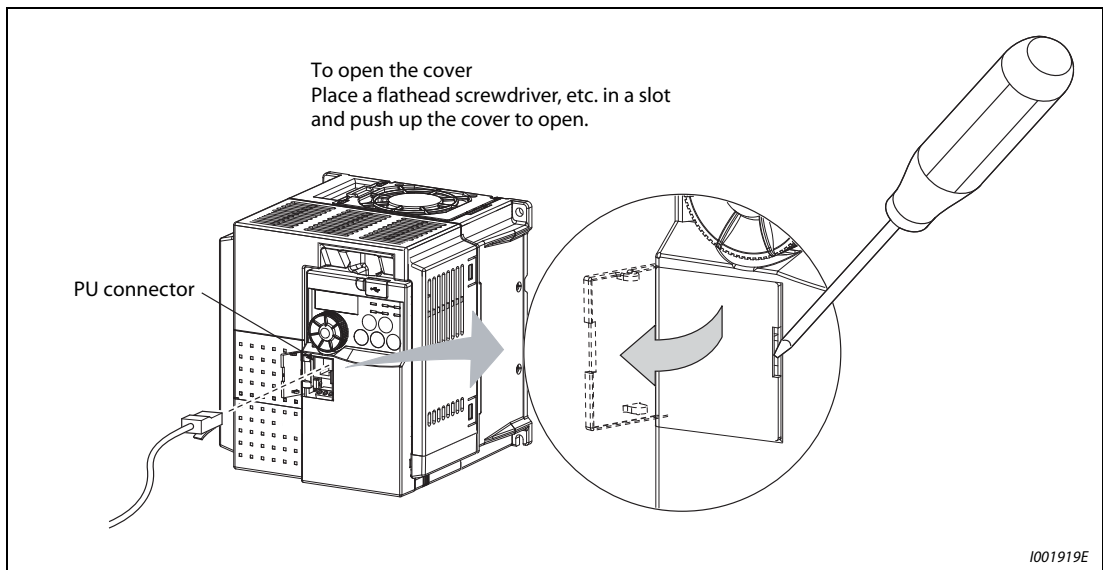


**Fig. 3-19:**  
Using an external power supply in connection with the outputs of a PLC

I001031E

### 3.5 PU connector

Using the PU connector, you can perform communication operation from the FR-PU07, the FR-PA07 or a personal computer. Refer to the figure below to open the PU connector cover.

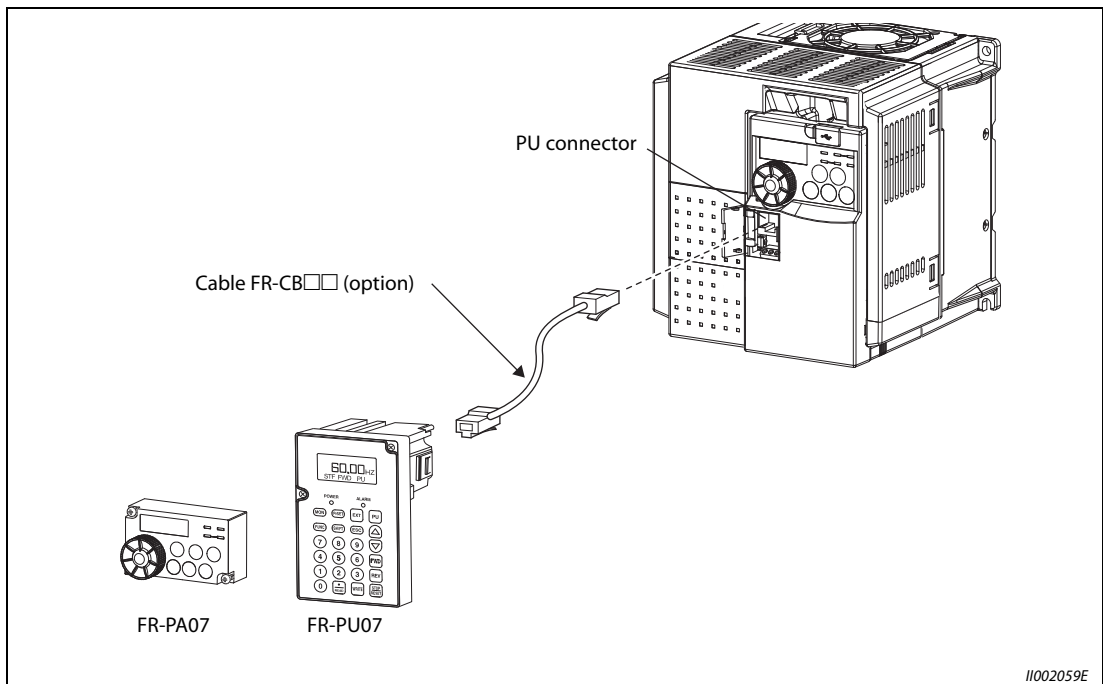


**Fig. 3-20:** To open the cover of the PU connector

#### 3.5.1 Connecting the parameter unit using a connection cable

Use the optional FR-CB□□ or connector and cable available on the market. Insert the cable plugs securely into the PU connector of the inverter and the connection connector of the FR-PU07/FR-PA07 along the guide until the tabs snap into place.

Overall wiring length when the parameter unit is connected: max. 20m.



**Fig. 3-21:** Connecting the parameter unit FR-PU07/FR-PA07 using a connection cable

### **3.5.2 RS-485 communication**

When the PU connector is connected with a personal, FA or other computer by a communication cable, a user program can run and monitor the inverter or read and write to parameters.

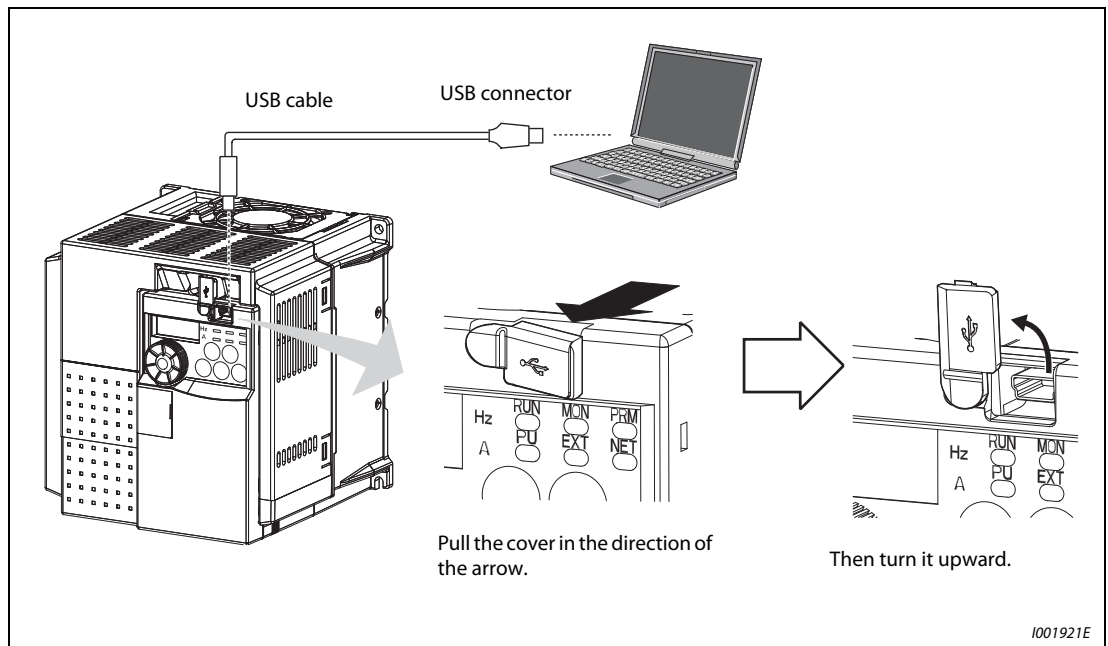
The protocol can be selected from Mitsubishi inverter and Modbus RTU. For detailed information refer to section 6.19.

### 3.6 USB connector

Inverter setup can be easily performed using the FR Configurator by connecting the inverter and personal computer with a USB cable (version 1.1).

Specification	Description
Interface	USB 1.1
Transmission speed	12MBps
Wiring length	5m
Connector	USB mini B connector (receptacle mini B type)
Power supply	Self-power supply

**Tab. 3-16:** USB connector specifications



**Fig. 3-22:** Connection to the USB connector

## 3.7 Connection of stand-alone option units

The inverter accepts a variety of stand-alone option units as required.



**CAUTION:**

*Incorrect connection will cause inverter damage or accident. Connect and operate the option unit carefully in accordance with the corresponding option unit manual.*

### 3.7.1 Magnetic contactors (MC)

#### Inverter input side magnetic contactor (MC)

On the inverter input side, it is recommended to provide an MC for the following purposes.

- To release the inverter from the power supply when the fault occurs or when the drive is not functioning (e.g. emergency stop operation). For example, MC avoids overheat or burnout of the brake resistor when heat capacity of the resistor is insufficient or brake regenerative transistor is damaged with short while connecting an optional brake resistor.
- To prevent any accident due to an automatic restart at restoration of power after an inverter stop made by a power failure.
- To separate the inverter from the power supply to ensure safe maintenance and inspection work.

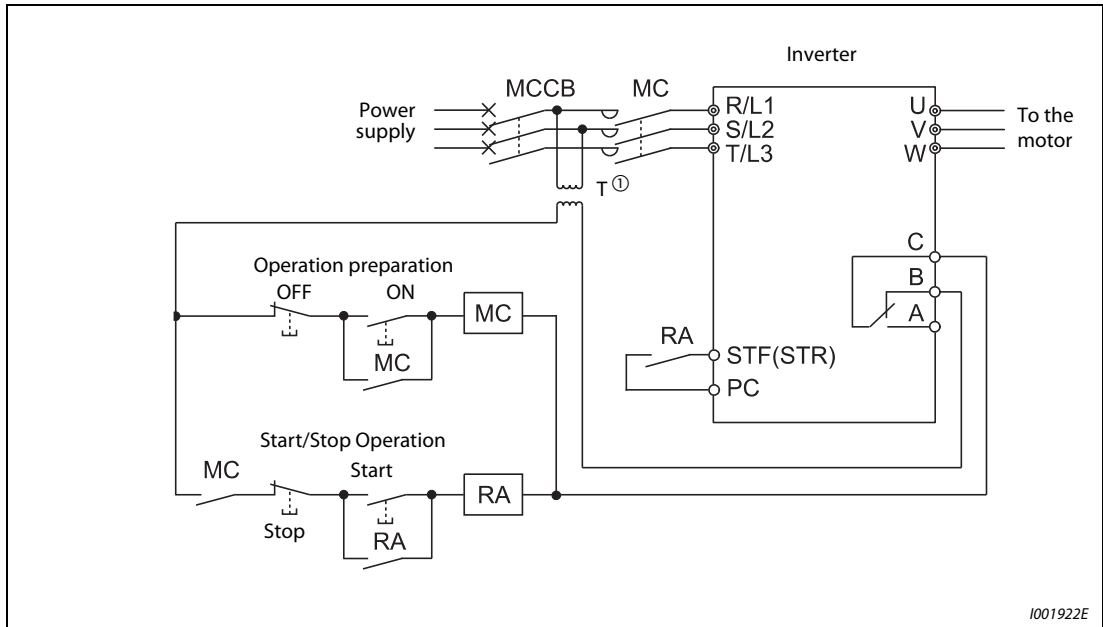
**NOTE**

Since repeated inrush currents at power on will shorten the life of the converter circuit (switching life is about 1,000,000 times.), frequent starts and stops of the MC must be avoided. Turn on/off the inverter start controlling terminals (STF, STR) to run/stop the inverter.



**Example** ▽

As shown below, always use the start signal (ON or OFF across terminals STF or STR-PC) to make a start or stop. (Refer to section 6.10.4.)



**Fig. 3-23:** Example for connection of an inverter

① When the power supply is 400V class, install a step-down transformer.



**Handling of the inverter output side magnetic contactor**

Switch the magnetic contactor between the inverter and motor only when both the inverter and motor are at a stop. When the magnetic contactor is turned on while the inverter is operating, overcurrent protection of the inverter and such will activate. When an MC is provided for switching to the commercial power supply, for example, switch it on/off after the inverter and motor have stopped.

### 3.7.2 Connection of a dedicated external brake resistor FR-ABR (FR-E720S-030SC or more, FR-E740-016SC or more)

Install a dedicated brake resistor (FR-ABR) outside when the motor is made to run by the load, quick deceleration is required, etc. Connect a dedicated brake resistor (FR-ABR) to terminal + and PR (resp. P/+ and PR). (For the locations of terminal + and PR (resp. P/+ and PR), refer to the terminal block layout (section 3.3.2).)

Set parameters below (refer to section 6.9.2).

Connected Brake Resistor	Parameter Setting		
	Pr. 30 "Regenerative function selection"	Pr. 70 "Special regenerative brake duty"	
FR-ABR	1	FR-E720S-110SC or less FR-E740-170SC or less	10 (%)
		FR-E740-230SC or more	6 (%)

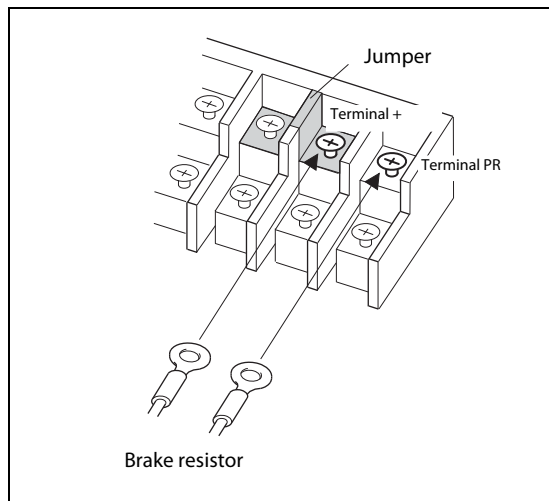
**Tab. 3-17:** Setting of parameter 30 and 70 when connecting an external brake resistor



**CAUTION:**

- The brake resistor connected should only be the dedicated brake resistor.
- Do not remove a jumper across terminal + and P1 (resp. P/+ and P1) except when connecting a DC reactor.
- The shape of jumper differs according to capacities.

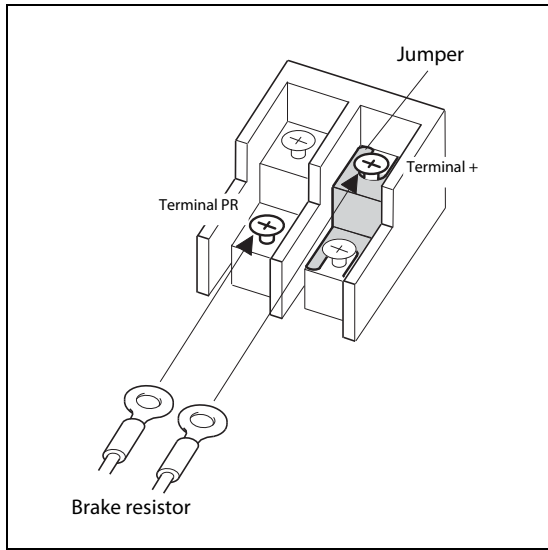
#### FR-E720S-030SC



**Fig. 3-24:** Connection of a brake resistor to the terminals + and PR for the inverter FR-E720S-030SC

1002036E

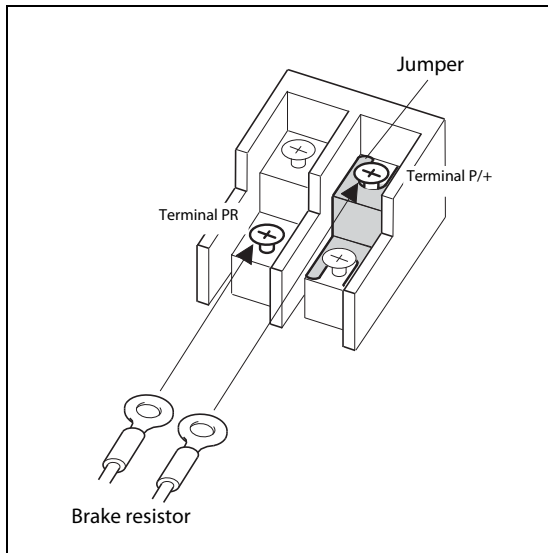
**FR-E720S-050SC to 110SC**



**Fig. 3-25:**  
 Connection of a brake resistor to the terminals + and PR for the inverters FR-E720S-050SC to 110SC

I001923E

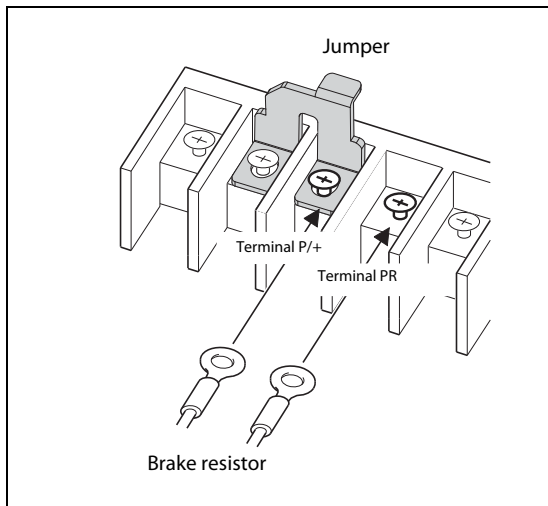
**FR-E740-016SC to 095SC**



**Fig. 3-26:**  
 Connection of a brake resistor to the terminals P/+ and PR for the inverters FR-E740-016SC to FR-E740-095SC

I001923E

**FR-E740-120SC to 300SC**



**Fig. 3-27:**  
 Connection of a brake resistor to the terminals P/+ and PR for the inverters FR-E740-120SC to FR-E740-300SC

I001924E

It is recommended to configure a sequence, which shuts off power in the input side of the inverter by the external thermal relay as shown below, to prevent overheat and burnout of the high duty brake resistor (FR-ABR) in case the regenerative brake transistor is damaged. (The brake resistor can not be connected to the FR-E720S-0085C and 0155C.)

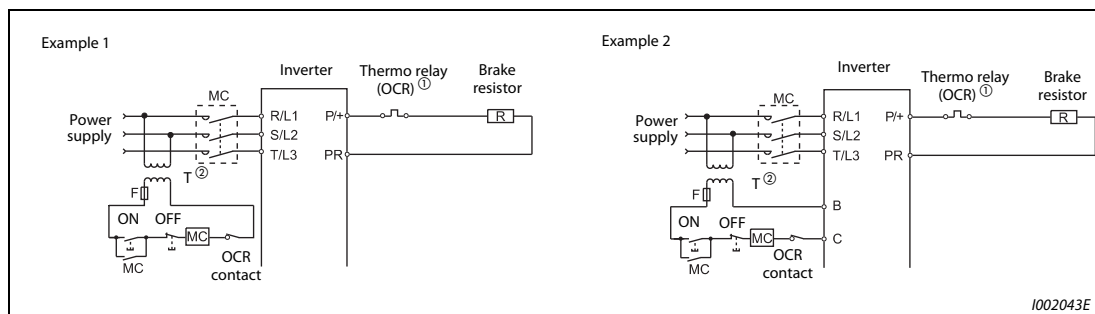


Fig. 3-28: Protection circuits

- ① Refer to Tab. 3-18 for the type number of each capacity of thermal relay and the diagram for the connection.
- ② When the power supply is 400V class, install a step-down transformer.

Power Supply Voltage	Type	High-duty Brake Resistor	Thermal Relay Type (Mitsubishi Product)	Contact Rating
230V	FR-ABR	FR-ABR-0.4K	TH-N20CXHZKP-0.7A	110V AC/5A 220V AC/2A (AC 11 class), 110V DC/0.5A 220V DC/0.25A (DC 11 class)
		FR-ABR-0.75K	TH-N20CXHZKP-1.3A	
		FR-ABR-2.2K	TH-N20CXHZKP-2.1A	
400V		FR-ABR-H0.4K	TH-N20CXHZKP-0.24A	
		FR-ABR-H0.75K	TH-N20CXHZKP-0.35A	
		FR-ABR-H1.5K	TH-N20CXHZKP-0.9A	
		FR-ABR-H2.2K	TH-N20CXHZKP-1.3A	
		FR-ABR-H3.7K	TH-N20CXHZKP-2.1A	
		FR-ABR-H5.5K	TH-N20CXHZKP-2.5A	
		FR-ABR-H7.5K	TH-N20CXHZKP-3.6A	
		FR-ABR-H11K	on request	
		FR-ABR-H15K	on request	

Tab. 3-18: Resistor and thermal relay combination

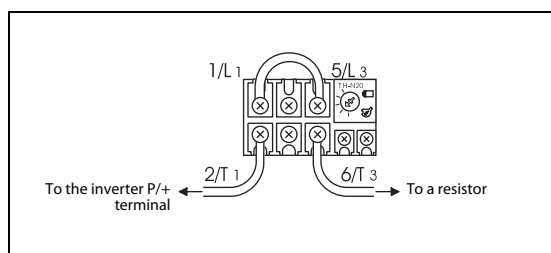


Fig. 3-29: Connecting the thermal relay

I001458E



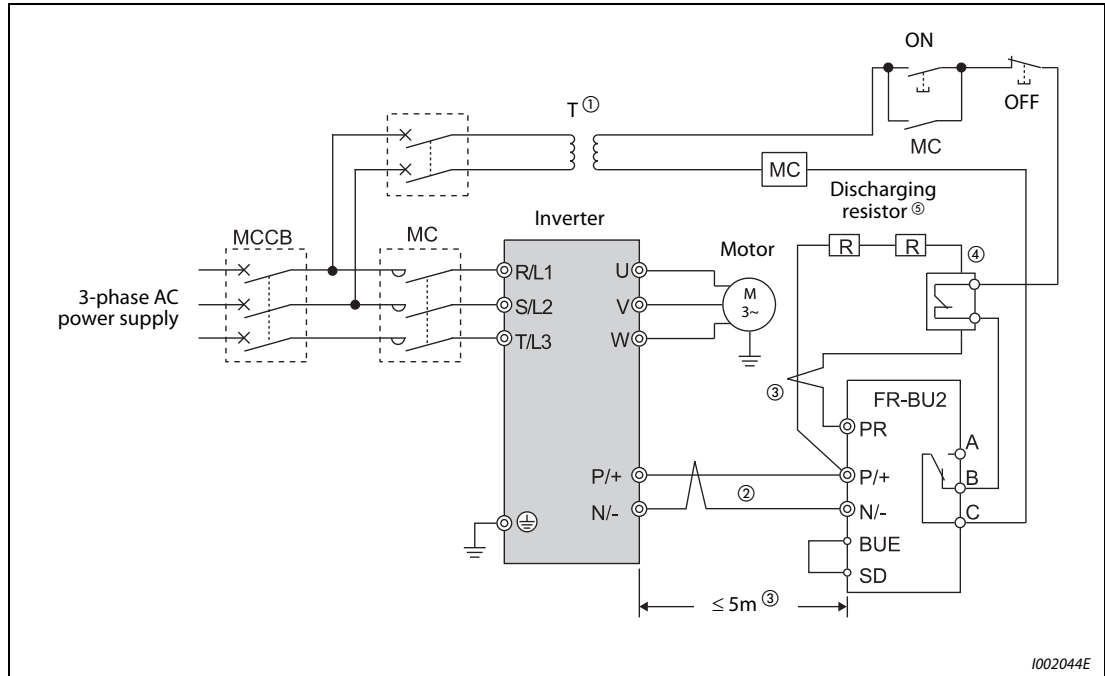
**CAUTION:**

- Brake resistor can not be used with the brake unit (FR-BU2), high power factor converter (FR-HC), power supply regeneration converter (FR-CV), etc.
- Do not connect a resistor directly to the DC terminals P/+ and N/-. This could cause a fire.

### 3.7.3 Connection of a brake unit FR-BU2

When connecting a brake unit to improve the brake capability at deceleration, make connection as shown below.

#### Connection example with the GRZG type discharging resistor



**Fig. 3-30:** Connection with the brake unit FR-BU2

- ① If the control contacts are only specified for 230V control power you must install a transformer when using a 400V power supply.
- ② Connect the inverter terminals (P/+, N/-) and brake unit terminals so that their terminal signals match with each other. (Incorrect connection will damage the inverter.)
- ③ The wiring distance between the inverter, brake unit and resistor unit should be within 5m. If twisted wires are used, the distance should be within 10m.
- ④ If the transistors in the brake unit should become faulty, the resistor can be unusually hot, causing a fire. Therefore, install a magnetic contactor on the inverters input side to configure a circuit so that a current is shut off in case of fault.
- ⑤ Refer to FR-BU2 manual for connection method of discharging resistor.

Brake Unit	Discharging Resistor	Recommended External Thermal Relay
FR-BU2-1.5K	GZG 300W-50Ω (one)	TH-N20CXHZKP-1.3A
FR-BU2-3.7K	GRZG 200-10Ω (three in series)	TH-N20CXHZKP-3.6A
FR-BU2-7.5K	GRZG 300-5Ω (four in series)	on request
FR-BU2-15K	GRZG 400-2Ω (six in series)	on request
FR-BU2-7.5K	GRZG 200-10Ω (six in series)	TH-N20CXHZKP-3.6A
FR-BU2-15K	GRZG 300-5Ω (eight in series)	on request

**Tab. 3-19:** Recommended external relay

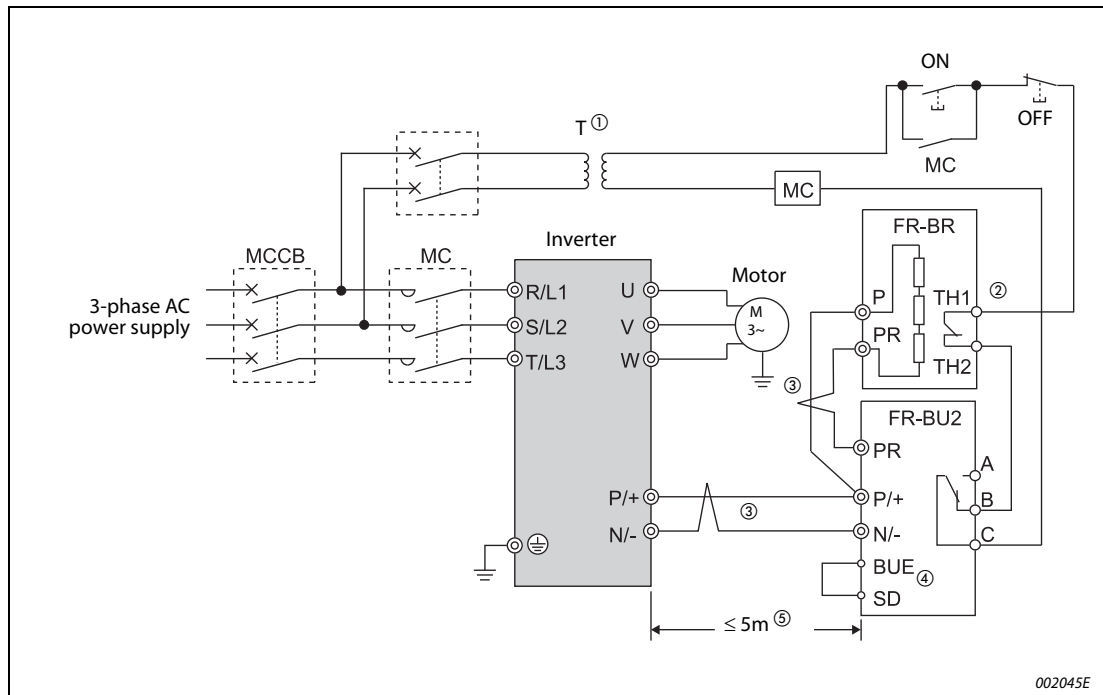
**CAUTION:**

- *If the transistors in the brake unit should become faulty, the resistor can be unusually hot, causing a fire. Therefore, install a magnetic contactor on the inverters input side to configure a circuit so that a current is shut off in case of fault.*
- *Do not remove a jumper across terminal P/+ and P1 except when connecting a DC reactor.*

**NOTE**

Set "1" in Pr. 0 "Brake mode selection" of the FR-BU2 to use GRZG type discharging resistor.

### Connection example with the FR-BR(-H) type resistor



**Fig. 3-31:** Connection with the brake unit FR-BU2

- ① If the control contacts are only specified for 230V control power you must install a transformer when using a 400V power supply.
- ② Normal: across TH1-TH2 ... close, Alarm: across TH1-TH2 ... open
- ③ Connect the inverter terminals (P/+, N/-) and brake unit terminals so that their terminal signals match with each other. (Incorrect connection will damage the inverter.)
- ④ A jumper is connected across BUE and SD in the initial status.
- ⑤ The wiring distance between the inverter, brake unit and resistor unit should be within 5m. If twisted wires are used, the distance should be within 10m.



**CAUTION:**

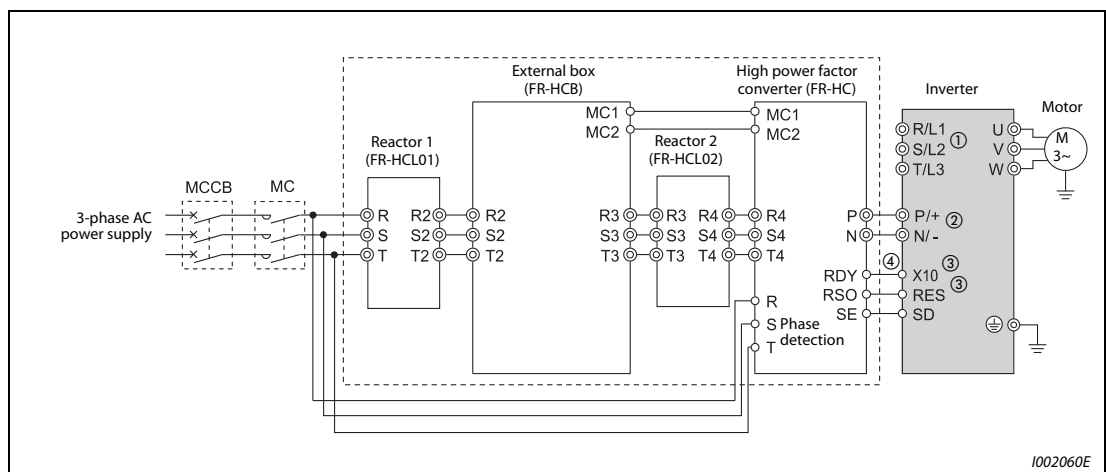
- If the transistors in the brake unit should become faulty, the resistor can be unusually hot, causing a fire. Therefore, install a magnetic contactor on the inverter's input side to configure a circuit so that a current is shut off in case of fault.
- Do not remove a jumper across terminal P/+ and P1 except when connecting a DC reactor.

### 3.7.4 Connection of the high power factor converter FR-HC

When connecting the high power factor converter (FR-HC) to suppress power harmonics, perform wiring securely as shown below.

**CAUTION:**

**Perform wiring of the high power factor converter (FR-HC) securely as shown below. Incorrect connection will damage the high power factor converter and inverter.**



**Fig. 3-32:** Connection of the high power factor converter FR-HC

- ① Keep input terminals (R/L1, S/L2, T/L3) open. Incorrect connection will damage the inverter.
- ② Do not insert an MCCB between the terminals P/+ and N/- (between P and P/+, between N and N/-). Opposite polarity of terminals N/-, P/+ will damage the inverter.
- ③ Use Pr. 178 to Pr. 184 "Input terminal function selection" to assign the terminals used for the X10, RES signal. (Refer to section 6.10).
- ④ Be sure to connect terminal RDY of the FR-HC to the X10 signal or MRS signal assigned terminal of the inverter, and connect terminal SE of the FR-HC to terminal SD of the inverter. Without proper connecting, FR-HC will be damaged.

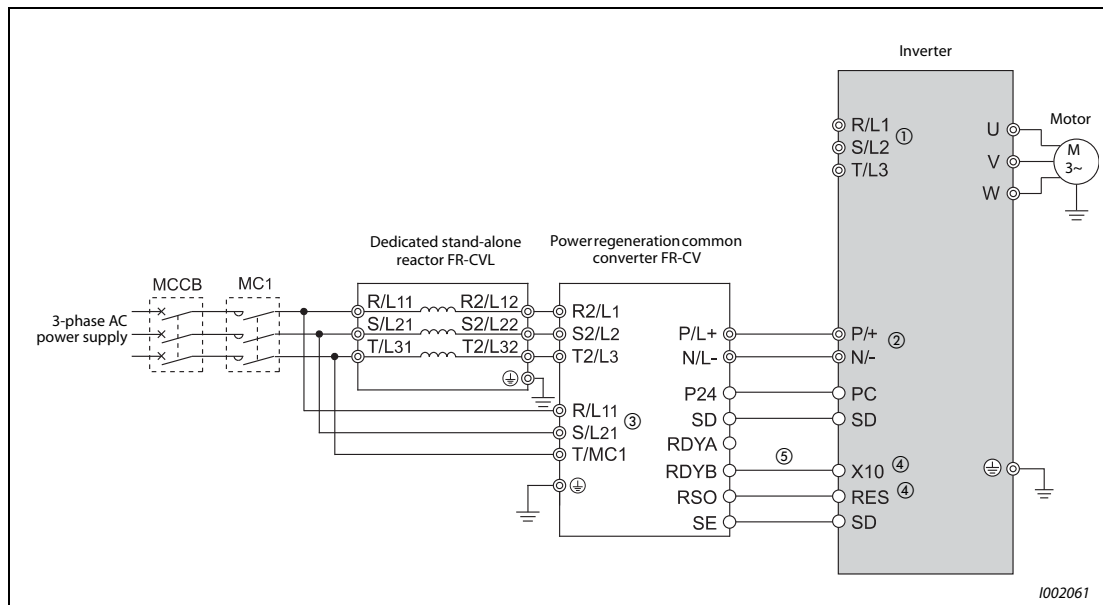
**NOTES**

- | The voltage phases of terminals R/L1, S/L2, T/L3 and terminals R4, S4, T4 must be matched.
- | Use sink logic when the FR-HC is connected. The FR-HC cannot be connected when source logic (factory setting) is selected.
- | Do not remove a jumper across terminal P/+ and P1 except when connecting a DC reactor.



### 3.7.5 Connection of the power regeneration common converter FR-CV

When connecting the power regeneration common converter (FR-CV), connect the inverter terminals (P/+, N/-) and the terminals P/L+ and N/L- of the power regeneration common converter (FR-CV).



**Fig. 3-33:** Connection of the power regeneration common converter FR-CV

- ① Always keep the power input terminals R/L1, S/L2, T/L3 open. Incorrect connection will damage the inverter.
- ② Do not insert an MCCB between the terminals P/+ and N/- (between P/L+ and P/+, between N/L- and N/-). Opposite polarity of terminals N/-, P/+ will damage the inverter.
- ③ Always connect the power supply and terminals R/L11, S/L21, T/MC1. Operating the inverter without connecting them will damage the power regeneration common converter.
- ④ Use Pr. 178 to Pr. 184 "Input terminal function selection" to assign the terminals used for the X10, RES signal. (Refer to section 6.10).
- ⑤ Be sure to connect terminal RDYB of the FR-CV to the X10 signal or MRS signal assigned terminal of the inverter, and connect terminal SE of the FR-CV to terminal SD of the inverter. Without proper connecting, FR-CV will be damaged.

#### NOTES

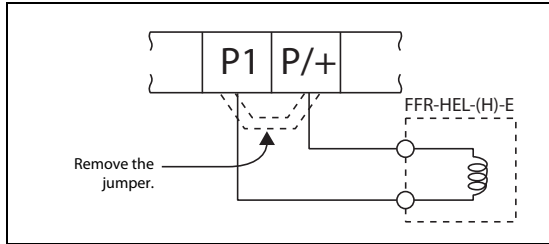
The voltage phases of terminals R/L11, S/L21, T/MC1 and terminals R2/L1, S2/L2, T2/L3 must be matched.

Use sink logic when the FR-CV is connected. The FR-CV cannot be connected when source logic (factory setting) is selected.

Do not remove a jumper across terminal P/+ and P1.

### 3.7.6 Connection of the power improving DC reactor FFR-HEL-(H)-E

When using the DC reactor (FFR-HEL-(H)-E), connect it between terminals P1 and P/+. In this case, the jumper connected across terminals P1 and P/+ must be removed. Otherwise, the reactor will not exhibit its performance.



**Fig. 3-34:**  
Connection of a DC reactor

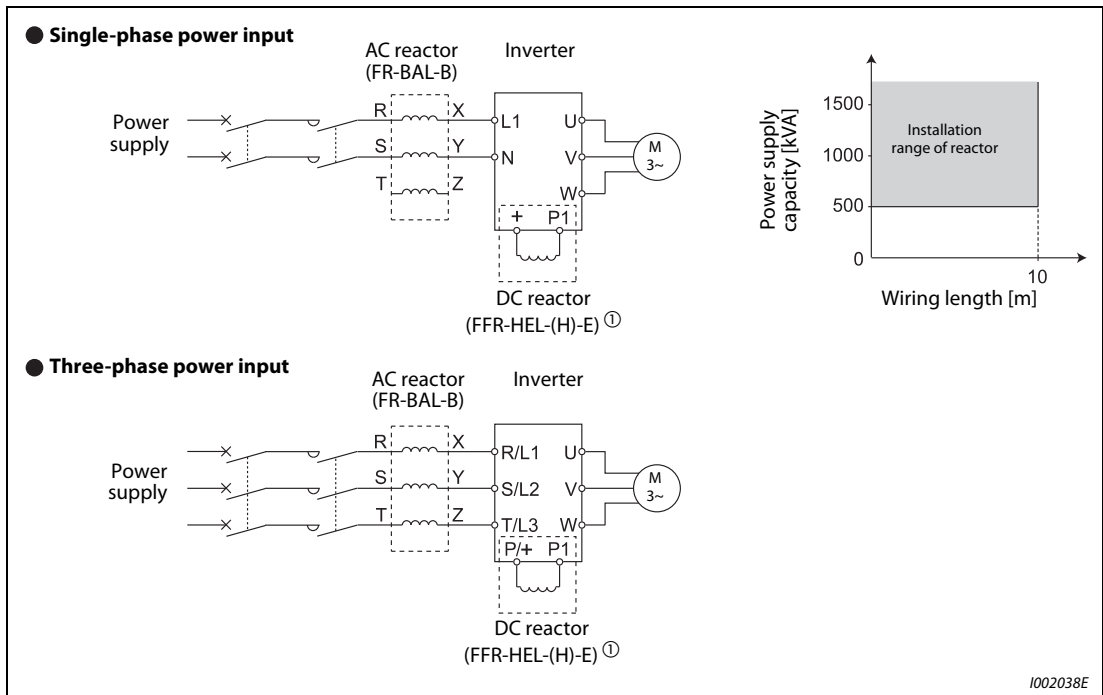
1002048E\_N

**NOTES**

- | The wiring distance should be within 5m.
- | The size of the cables used should be equal to or larger than that of the power supply cables (R/L1, S/L2, T/L3).

### 3.7.7 Installation of a reactor

When the inverter is connected near a large-capacity power transformer (500kVA or more) or when a power capacitor is to be switched over, an excessive peak current may flow in the power input circuit, damaging the converter circuit. To prevent this, always install the optional DC reactor (FFR-HEL-(H)-E) or AC reactor (FR-BAL-B).



1002038E

**Fig. 3-35:** Installation of a reactor

- ① When connecting the FFR-HEL-(H)-E, remove the jumper across terminals + (resp. P/+) and P1. The wiring length between the FFR-HEL-(H)-E and inverter should be 5m maximum and minimized.

**NOTE**

| Use the same wire size as that of the power supply wire (R/L1, S/L2, T/L3). (Refer to page 3-9.)

## 3.8 Electromagnetic compatibility (EMC)

### 3.8.1 Leakage currents and countermeasures

Mains filters, shielded motor cables, the motor, and the inverter itself cause stationary and variable leakage currents to PE. Since its value depends on the capacitances, carrier frequency, etc., low acoustic noise operation at the increased carrier frequency of the inverter will increase the leakage current. Therefore, take the following measures. Select the earth leakage breaker according to its rated sensitivity current, independently of the carrier frequency setting.

#### To-earth (ground) leakage currents

Leakage currents may flow not only into the inverter's own line but also into the other lines through the earth (ground) cable, etc. These leakage currents may operate earth (ground) leakage circuit breakers and earth leakage relays unnecessarily.

- Countermeasures

- If the carrier frequency setting is high, decrease the Pr. 72 "PWM frequency selection" setting. Note that motor noise increases. Selecting Pr. 240 "Soft-PWM operation selection" makes the sound inoffensive.
- By using earth leakage circuit breakers designed for harmonic and surge suppression in the inverter's own line and other line, operation can be performed with the carrier frequency kept high (with low noise).

- To-earth leakage currents

- Take caution as long wiring will increase the leakage current. Decreasing the carrier frequency of the inverter reduces the leakage current.
- Increasing the motor capacity increases the leakage current.
- Shielded motor cables significantly increase the leakage current to PE (approx. double the value generated with unshielded motor cables of the same length).
- The leakage current of the 400V class is larger than that of the 200V class.

#### Line-to-line leakage currents

Harmonics of leakage currents flowing in static capacities between the inverter output cables may operate the external thermal relay unnecessarily. When the wiring length is long (50m or more) for the 400V class small-capacity model (FR-E700-170SC or less), the external thermal relay is likely to operate unnecessarily because the ratio of the leakage current to the rated motor current increases.

**Example** ▾

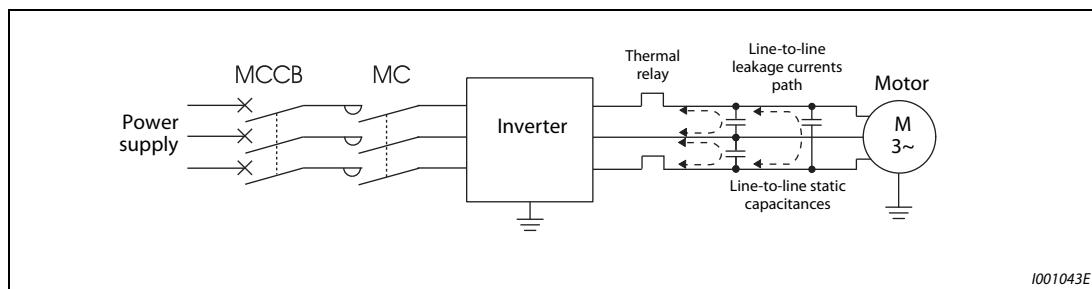
Line-to-line leakage current data example

Dedicated motor: SF-JR 4P

Carrier frequency: 14.5kHz

Used wire: 2mm<sup>2</sup>, 4 cores, cab tyre cable

Motor Capacity [kW]	Rated Motor Current [A]	Leakage Currents [mA]	
		Wiring Length 50m	Wiring Length 100m
0.4	1.1	620	1000
0.75	1.9	680	1060
1.5	3.5	740	1120
2.2	4.1	800	1180
3.7	6.4	880	1260
5.5	9.7	980	1360
7.5	12.8	1070	1450

**Tab. 3-20:** Line-to-line leakage current data example**Fig. 3-36:** Line-to-line leakage currents

- Countermeasures
  - Use Pr. 9 "Electronic thermal O/L relay".
  - If the carrier frequency setting is high, decrease the Pr. 72 "PWM frequency selection" setting. Note that motor noise increases. Selecting Pr. 240 "Soft-PWM operation selection" makes the sound inoffensive. To ensure that the motor is protected against line-to-line leakage currents, it is recommended to use a temperature sensor (e.g. PTC element) to directly detect motor temperature.
- Selecting a power supply circuit breaker:
 

You can also use a circuit breaker (MCCB) to protect the power supply lines against short circuits and overloads. However, note that this does not protect the inverter (rectifiers, IGBT). Select the capacity of the circuit breaker on the basis of the cross-sectional area of the power supply lines. To calculate the required mains current trip point you need to know the power required by the inverter (Refer to rated input capacity in Appendix A.1, Specifications) and the mains supply voltage. Select a circuit breaker with a trip point that is slightly higher than calculated, particularly in the case of breakers with electromagnetic tripping, since the trip characteristics are strongly influenced by the harmonics in the power supply line.

**NOTE**

The earth leakage breaker must be either a Mitsubishi earth leakage breaker (ELB, for harmonics and surges) or an ELB with breaker designed for harmonic and surge suppression that is approved for use with frequency inverters.

**Note on selecting a suitable power supply ELCB**

If your application requires by installation standards an RCD (residual current device) as up stream protection please select according to DIN VDE 0100-530 as following:

- Single phase inverter type A or B
- Three phase inverter only type B

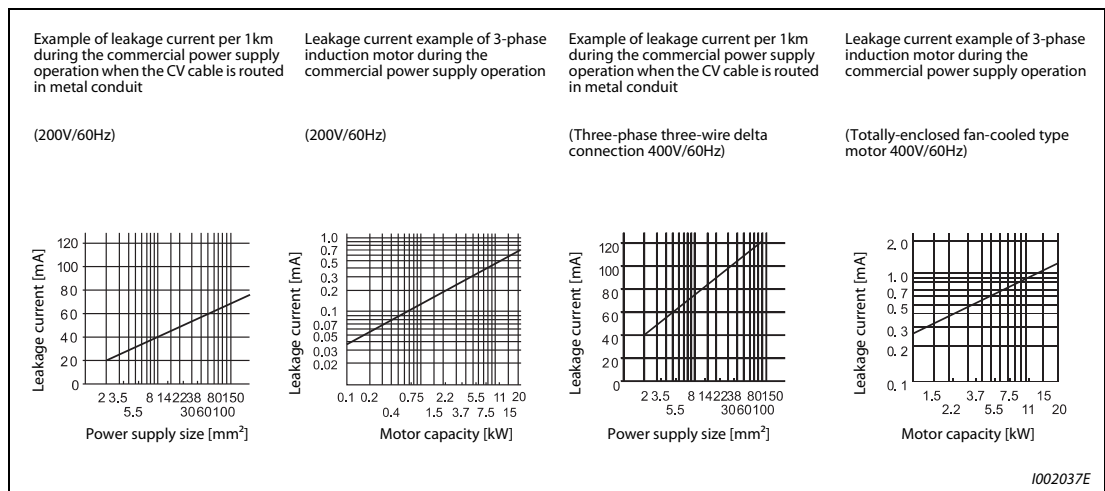
Additionally, when selecting a residual current device (RCD), leakage current caused by the mains filter, the length of the shielded motor cable and the carrier frequency must be taken into consideration.

When connecting AC current using switches without a step function, brief asymmetrical loads may result in unwanted triggering of the residual current device (RCD). It is recommendable here to use a Type B residual current device (RCD) with delayed actuation or to switch on all three phases simultaneously using a main contactor.

Calculate the trip current sensitivity of the ELB as follows:

- Breaker designed for harmonic and surge suppression:  
 $I_{\Delta n} \geq 10 \times (I_{g1} + I_{gn} + I_{gi} + I_{g2} + I_{gm})$
- Standard breaker:  
 $I_{\Delta n} \geq 10 \times [I_{g1} + I_{gn} + I_{gi} + 3 \times (I_{g2} + I_{gm})]$

- I<sub>g1</sub>, I<sub>g2</sub>: Leakage currents in wire path during commercial power supply operation
- I<sub>gn</sub>: Leakage current of inverter input side noise filter
- I<sub>gm</sub>: Leakage current of motor during commercial power supply operation
- I<sub>gi</sub>: Leakage current of inverter unit

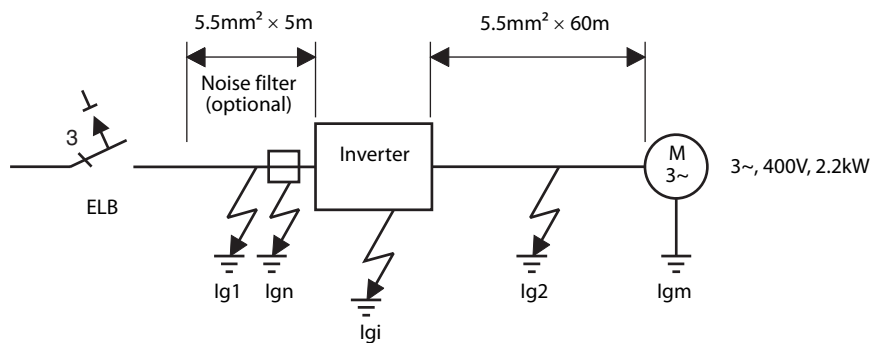


**Fig. 3-37:** Leakage currents

**NOTE**

For star connection, the amount of leakage current is 1/3.

**Example** ▽



	Breaker Designed for Harmonic and Surge Suppression	Standard Breaker
Leakage current lg1 [mA]	$\frac{1}{3} \times 66 \times \frac{5m}{1000m} = 0.11$	
Leakage current lgn [mA]	0 (without noise filter)	
Leakage current lgi [mA]	1 (with noise filter)	
Leakage current lg2 [mA]	$\frac{1}{3} \times 66 \times \frac{60m}{1000m} = 1.32$	
Motor leakage current lgm [mA]	0.36	
Total leakage current [mA]	2.79	6.15
Rated sensitivity current [mA]	30	100

**Tab. 3-21:** Estimation of the permanent flowing leakage current



**NOTES**

The frequency inverter monitors its own output for ground faults up to a frequency of 120Hz. However, it is important to understand that this feature only protects the inverter itself. It cannot be used to provide protection against shock hazards for personnel.

In the connection earthed-neutral system, the sensitivity current is purified against an earth fault in the inverter output side. Earthing must conform to the requirements of national and local safety regulations and electrical codes. (JIS, NEC section 250, IEC 536 class 1 and other applicable standards)

When the breaker is installed on the output side of the inverter, it may be unnecessarily operated by harmonics even if the effective value is less than the rating. In this case, do not install the breaker since the eddy current and hysteresis loss will increase, leading to temperature rise.

The following models are standard breakers: BV-C1, BC-V, NVB, NV-L, NV-G2N, NV-G3NA and NV-2F earth leakage relay (except NV-ZHA), NV with AA neutral wire open-phase protection. The other models are designed for harmonic and surge suppression: NV-C/NV-S/MN series, NV30-FA, NV50-FA, BV-C2, earth leakage alarm breaker (NF-Z), NV-ZHA, NV-H.

### 3.8.2 Inverter-generated noises and their reduction techniques

Some noises enter the inverter to malfunction it and others are radiated by the inverter to malfunction peripheral devices. Though the inverter is designed to be insusceptible to noises, it handles low-level signals, so it requires the following basic techniques. Also, since the inverter chops outputs at high carrier frequency, that could generate noises. If these noises cause peripheral devices to malfunction, measures should be taken to suppress noises.

These techniques differ slightly depending on noise propagation paths.

- Basic techniques
  - Do not run the power cables (I/O cables) and signal cables of the inverter in parallel with each other and do not bundle them.
  - Use twisted pair shielded cables for the detector connection and control signal cables. Earth the shield.
  - Earth the inverter, motor, etc. at one point.
- Techniques to reduce noises that enter and malfunction the inverter
  - When devices that generate many noises (which use magnetic contactors, magnetic brakes, many relays, for example) are installed near the inverter and the inverter may be malfunctioned by noises, the following measures must be taken:
    - Provide surge suppressors for devices that generate many noises to suppress noises.
    - Fit data line filters to signal cables.
    - Earth the shields of the detector connection and control signal cables with cable clamp metal.
- Techniques to reduce noises that are radiated by the inverter to malfunction peripheral devices
  - Inverter-generated noises are largely classified into:
    - those radiated by the cables connected to the inverter and inverter main circuits (I/O),
    - those electromagnetically and electrostatically induced to the signal cables of the peripheral devices close to the main circuit power supply,
    - and those transmitted through the power supply cables.

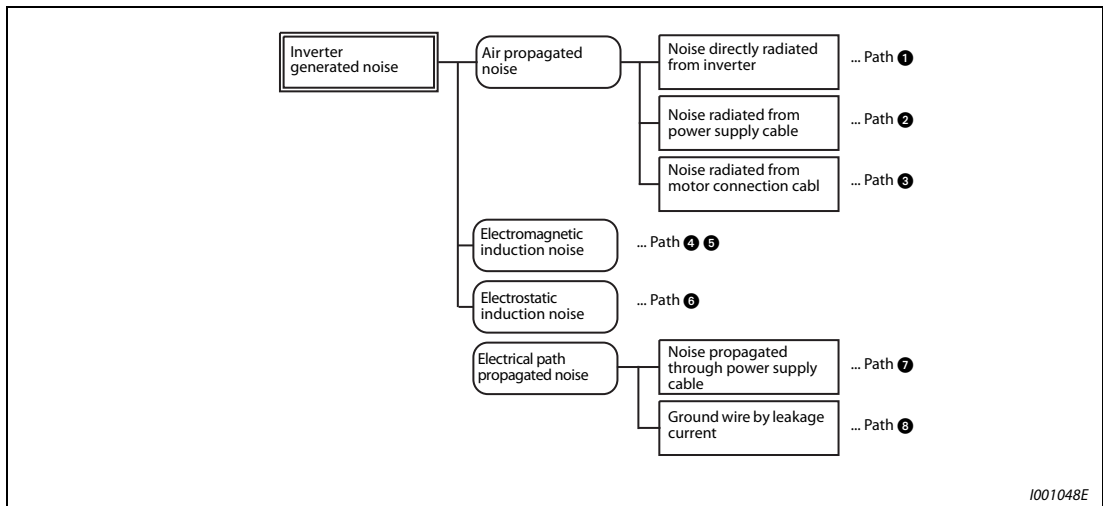


Fig. 3-38: Noise propagation

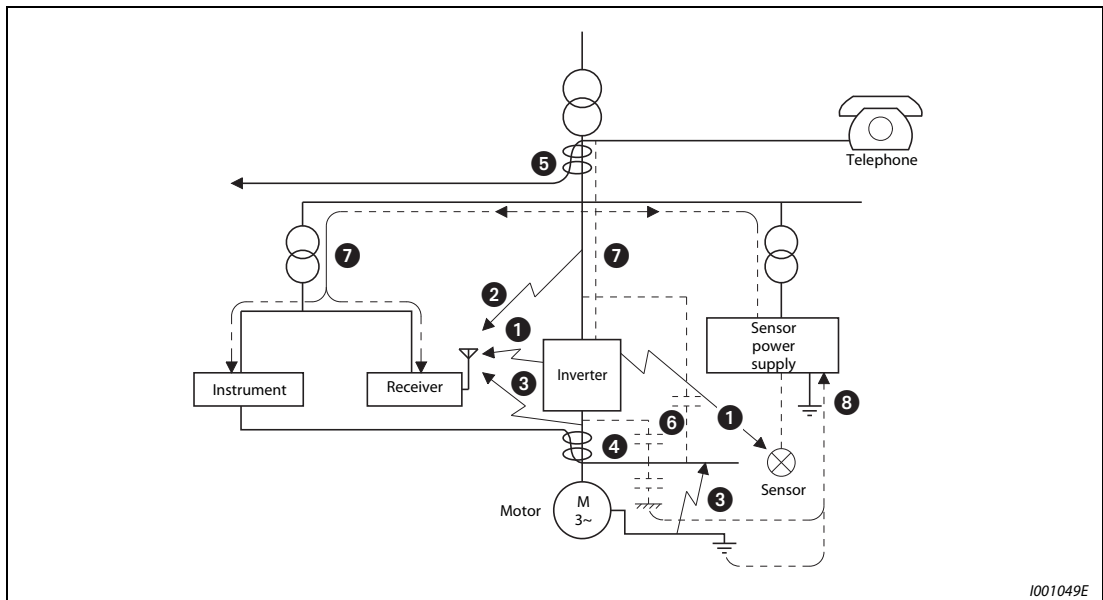


Fig. 3-39: Noise paths



Noise Propagation Path	Measures
1 2 3	<p>When devices that handle low-level signals and are liable to malfunction due to noises, e.g. instruments, receivers and sensors, are contained in the enclosure that contains the inverter or when their signal cables are run near the inverter, the devices may be malfunctioned by air-propagated noises. The following measures must be taken:</p> <ul style="list-style-type: none"> <li>• Install easily affected devices as far away as possible from the inverter.</li> <li>• Run easily affected signal cables as far away as possible from the inverter and its I/O cables.</li> <li>• Do not run the signal cables and power cables (inverter I/O cables) in parallel with each other and do not bundle them.</li> <li>• Inserting a filter (dV/dt, sine wave filter) into the output suppresses the radiation noise from the cables.</li> <li>• Use shield cables as signal cables and power cables and run them in individual metal conduits to produce further effects.</li> </ul>
4 5 6	<p>When the signal cables are run in parallel with or bundled with the power cables, magnetic and static induction noises may be propagated to the signal cables to malfunction the devices and the following measures must be taken:</p> <ul style="list-style-type: none"> <li>• Install easily affected devices as far away as possible from the inverter.</li> <li>• Run easily affected signal cables as far away as possible from the I/O cables of the inverter.</li> <li>• Do not run the signal cables and power cables (inverter I/O cables) in parallel with each other and do not bundle them.</li> <li>• Use shield cables as signal cables and power cables and run them in individual metal conduits to produce further effects.</li> </ul>
7	<p>When the power supplies of the peripheral devices are connected to the power supply of the inverter in the same line, inverter-generated noises may flow back through the power supply cables to malfunction the devices and the following measures must be taken:</p> <ul style="list-style-type: none"> <li>• Use additional (optional) noise filters as required.</li> <li>• Install output filters to the power cables of the inverter after you consulted MITSUBISHI.</li> </ul>
8	<p>When a closed loop circuit is formed by connecting the peripheral device wiring to the inverter, leakage currents may flow through the earth cable of the inverter to malfunction the device. In such a case, disconnection of the earth cable of the device may cause the device to operate properly.</p>

Tab. 3-22: Noise and countermeasures

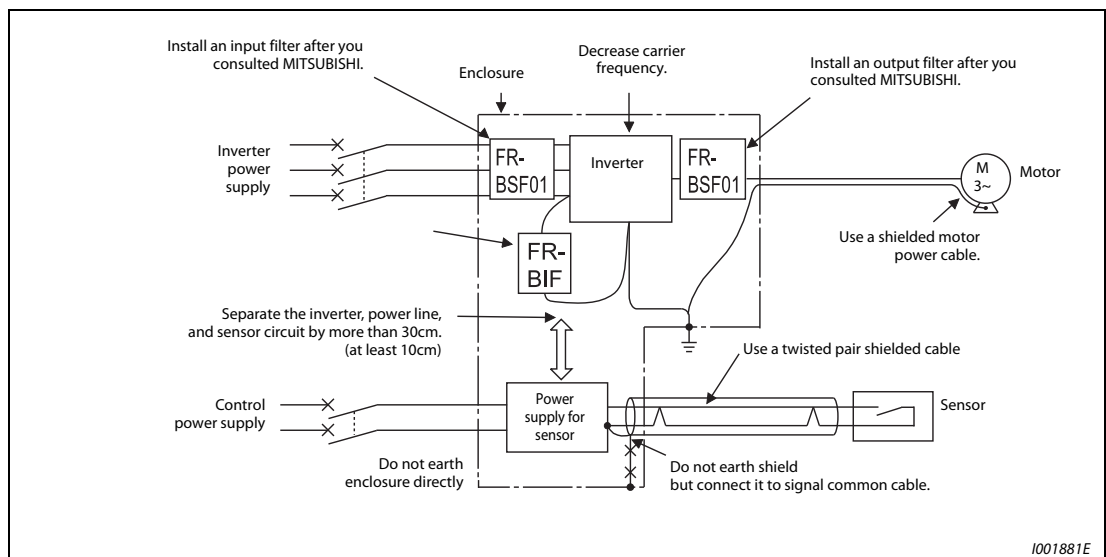


Fig. 3-40: Noise reduction examples

### 3.8.3 Power supply harmonics

The inverter may generate power supply harmonics from its converter circuit to affect the power generator, power capacitor etc. Power supply harmonics are different from noise and leakage currents in source, frequency band and transmission path. Take the following countermeasure suppression techniques.

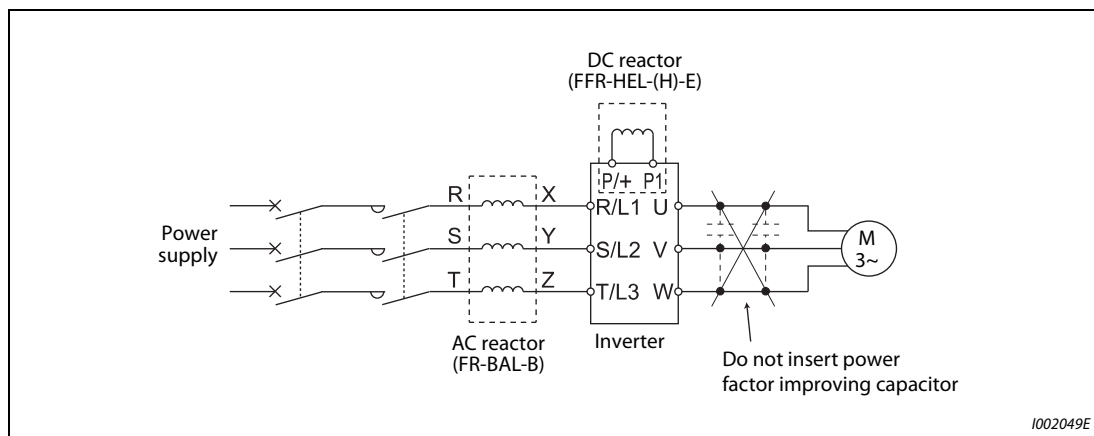
Item	Harmonics	Noise
Frequency	Maximum 50 ( $\leq 3\text{kHz}$ )	Several 10kHz to 1GHz
Environment	To electric channel, power impedance	To-space, distance, wiring path
Quantitative understanding	Theoretical calculation possible	Random occurrence, quantitative grasping difficult
Generated amount	Nearly proportional to load capacity	Depending on the current fluctuation ratio (larger as switching is faster)
Affected equipment immunity	Specified in standard per equipment	Different depending on maker's equipment specifications
Suppression example	Provide reactor	Increase distance

**Tab. 3-23:** Differences between harmonics and noises

- Measures

The harmonic current generated from the inverter to the input side differs according to various conditions such as the wiring impedance, whether a reactor is used or not, and output frequency and output current on the load side.

For the output frequency and output current, we understand that they should be calculated in the conditions under the rated load at the maximum operating frequency.



**Fig. 3-41:** Reduction of power supply harmonics



**CAUTION:**

**The power factor improving capacitor and surge suppressor on the inverter output side may be overheated or damaged by the harmonic components of the inverter output. Also, since an excessive current flows in the inverter to activate over current protection, do not provide a capacitor and surge suppressor on the inverter output side when the motor is driven by the inverter. For power factor improvement, install a reactor on the inverter input side or in the DC circuit.**

### 3.8.4 Inverter-driven 400V class motor

In the PWM type inverter, a surge voltage attributable to wiring constants is generated at the motor terminals. Especially for a 400V class motor, the surge voltage may deteriorate the insulation. When the 400V class motor is driven by the inverter, consider the following measures:

- Rectifying the motor insulation and limiting the PWM carrier frequency according to the wiring length. For the 400V class motor, use an insulation-enhanced motor.
  - Specify the "400V class inverter-driven insulation-enhanced motor".
  - For the dedicated motor such as the constant-torque motor and low-vibration motor, use the "inverter-driven, dedicated motor".
  - Set Pr. 72 "PWM frequency selection" as indicated below according to the wiring length.

	Wiring Length		
	≤ 50m	50m to 100m	≥ 100m
Parameter 72	≤ 15 (14.5kHz)	≤ 8 (8kHz)	≤ 2 (2kHz)

**Tab. 3-24:** Setting of Pr. 72 according to the wiring length

- Limiting the voltage rise speed of the frequency inverter output voltage (dV/dT):  
If the motor requires a rise speed of 500V/μs or less you must install a filter in the output of the inverter. Please contact your Mitsubishi dealer for more details.

#### NOTE

For details of Pr. 72 "PWM frequency selection", refer to section 6.15.



# 4 Operation

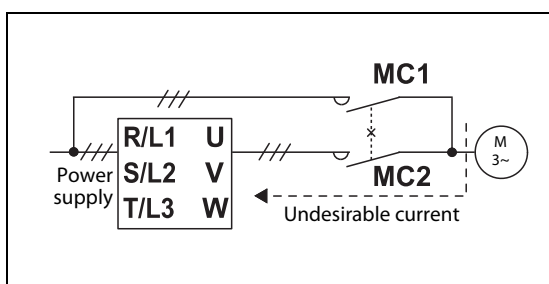
## 4.1 Precautions for use of the inverter

The FR-E700SC series is a highly reliable product, but incorrect peripheral circuit making or operation/handling method may shorten the product life or damage the product.

Before starting operation, always recheck the following items.

- Use crimping terminals with insulation sleeve to wire the power supply and motor.
- Application of power to the output terminals (U, V, W) of the inverter will damage the inverter. Never perform such wiring.
- After wiring, wire offcuts must not be left in the inverter.  
Wire offcuts can cause an alarm, failure or malfunction. Always keep the inverter clean. When drilling mounting holes in a control box etc., take care not to allow chips and other foreign matter to enter the inverter.
- Use cables of the size to make a voltage drop 2% maximum.  
If the wiring distance is long between the inverter and motor, a main circuit cable voltage drop will cause the motor torque to decrease especially at the output of a low frequency. (Refer to page 3-9 for the recommended cable sizes.)
- The overall wiring length should be 500m maximum.  
Especially for long distance wiring, the fast-response current limit function may be reduced or the equipment connected to the inverter output side may malfunction or become faulty under the influence of a charging current due to the stray capacity of the wiring. Therefore, note the overall wiring length. (Refer to page 3-12.)
- Electromagnetic Compatibility  
Operation of the frequency inverter can cause electromagnetic interference in the input and output that can be propagated by cable (via the power input lines), by wireless radiation to nearby equipment (e.g. AM radios) or via data and signal lines.  
Use AC or DC reactors to reduce line propagated noise (harmonics). Use shielded motor power lines to reduce output noise (refer also to section 3.8 Electromagnetic Compatibility).
- Do not install a power factor correction capacitor, surge suppressor or radio noise filter on the inverter output side. This will cause the inverter to trip or the capacitor and surge suppressor to be damaged. If any of the above devices is installed, immediately remove it.
- Before starting wiring or other work after the inverter is operated, wait for at least 10 minutes after the power supply has been switched off, and check that there are no residual voltage using a tester or the like. The capacitor is charged with high voltage for some time after power off and it is dangerous.
- A short circuit or earth fault on the inverter output side may damage the inverter modules.
  - Fully check the insulation resistance of the circuit prior to inverter operation since repeated short circuits caused by peripheral circuit inadequacy or an earth fault caused by wiring inadequacy or reduced motor insulation resistance may damage the inverter modules.
  - Fully check the to-earth insulation and inter-phase insulation of the inverter output side before power-on.  
Especially for an old motor or use in hostile atmosphere, securely check the motor insulation resistance etc.

- Do not use the inverter input side magnetic contactor to start/stop the inverter. Always use the start signal (ON/OFF of STF and STR signals) to start/stop the inverter.
- Across P/+ and PR terminals, connect only an external regenerative brake discharging resistor. Do not connect a mechanical brake. The brake resistor can not be connected to the FR-E720S-008SC and 015SC. Leave terminals + and PR open. Also, never short between P/+ and PR.
- Do not apply a voltage higher than the permissible voltage to the inverter I/O signal circuits. Contact to the inverter I/O signal circuits or opposite polarity may damage the I/O devices. Especially check the wiring to prevent the speed setting potentiometer from being connected incorrectly to short terminals 10-5.
- Provide electrical and mechanical interlocks for MC1 and MC2 which are used for commercial power supply-inverterswitch-over. When the wiring is incorrect or if there is a commercial power supply-inverter switch-over circuit as shown below, the inverter will be damaged by leakage current from the power supply due to arcs generated at the time of switch-over or chattering caused by a sequence error.



**Fig. 4-1:**  
Mechanical interlocks for MC1 and MC2

I001042E



**CAUTION:**

***If the machine must not be restarted when power is restored after a power failure, provide a magnetic contactor in the inverter's input side and also make up a sequence which will not switch on the start signal.***  
***If the start signal (start switch) remains on after a power failure, the inverter will automatically restart as soon as the power is restored.***

- Instructions for overload operation  
When performing operation of frequent start/stop of the inverter, increase/decrease in the temperature of the transistor element of the inverter may repeat due to a continuous flow of large current, shortening the life from thermal fatigue. Since thermal fatigue is related to the amount of current, the life can be increased by reducing bound current, starting current, etc. Decreasing current may increase the life. However, decreasing current will result in insufficient torque and the inverter may not start. Therefore, increase the inverter capacity to have enough allowance for current.
- Make sure that the specifications and rating match the system requirements.
- When the motor speed is unstable, due to change in the frequency setting signal caused by electromagnetic noises from the inverter, take the following measures when applying the motor speed by the analog signal.
  - Do not run the signal cables and power cables (inverter I/O cables) in parallel with each other and do not bundle them.
  - Run signal cables as far away as possible from power cables (inverter I/O cables).
  - Use shield cables as signal cables.
  - Install a ferrite core on the signal cable (Example: ZCAT3035-1330 TDK).

### 4.1.1 Failsafe of the system which uses the inverter

When a fault occurs, the inverter trips to output a fault signal. However, a fault output signal may not be output at an inverter fault occurrence when the detection circuit or output circuit fails, etc. Although Mitsubishi assures best quality products, provide an interlock which uses inverter status output signals to prevent accidents such as damage to machine when the inverter fails for some reason and at the same time consider the system configuration where failsafe from outside the inverter, without using the inverter, is enabled even if the inverter fails.

#### Interlock method which uses the inverter status output signals

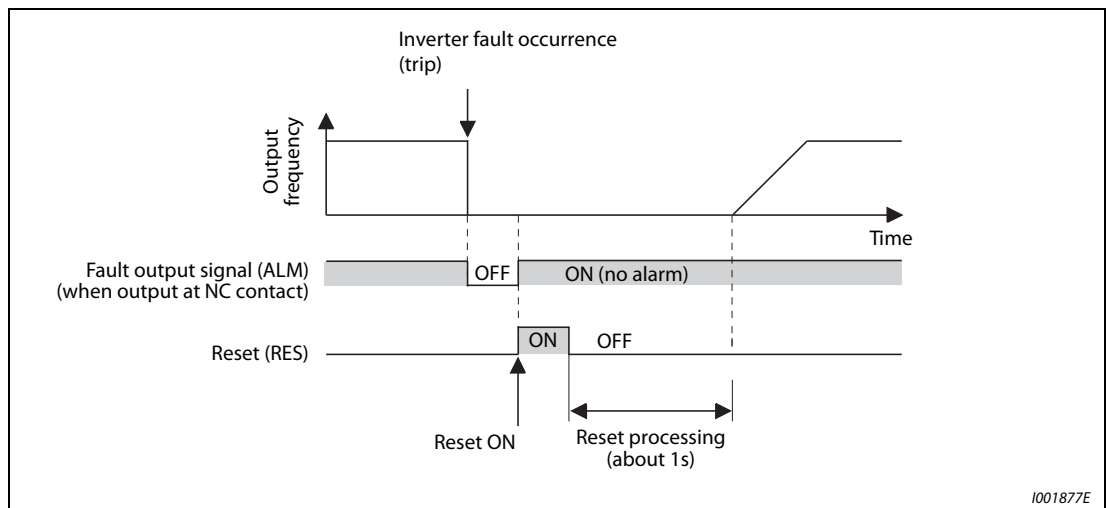
By combining the inverter status output signals to provide an interlock as shown below, an inverter alarm can be detected.

Interlock Method	Check Method	Used Signals	Refer to Page
Inverter protective function operation	Operation check of an alarm contact Circuit error detection by negative logic	Fault output signal (ALM signal)	6-128
Inverter running status	Operation ready check signal	Operation ready signal (RY signal)	6-127
	Logic check of the start signal and running signal	Start signal (STF signal, STR signal) Running signal (RUN signal)	6-103 6-127
	Logic check of the start signal and output current	Start signal (STF signal, STR signal) Output current detection signal (Y12 signal)	6-103 6-131

**Tab. 4-1:** Different output signals of the frequency inverter can be used for interlocks

#### Check by the output of the inverter fault signal

When the fault occurs and trips the inverter, the fault output signal (ALM signal) is output (ALM signal is assigned to terminal ABC in the initial setting). Check that the inverter functions properly. In addition, negative logic can be set (on when the inverter is normal, off when the fault occurs).



**Fig. 4-2:** Contact B-C opens when a fault occurs (initial setting)

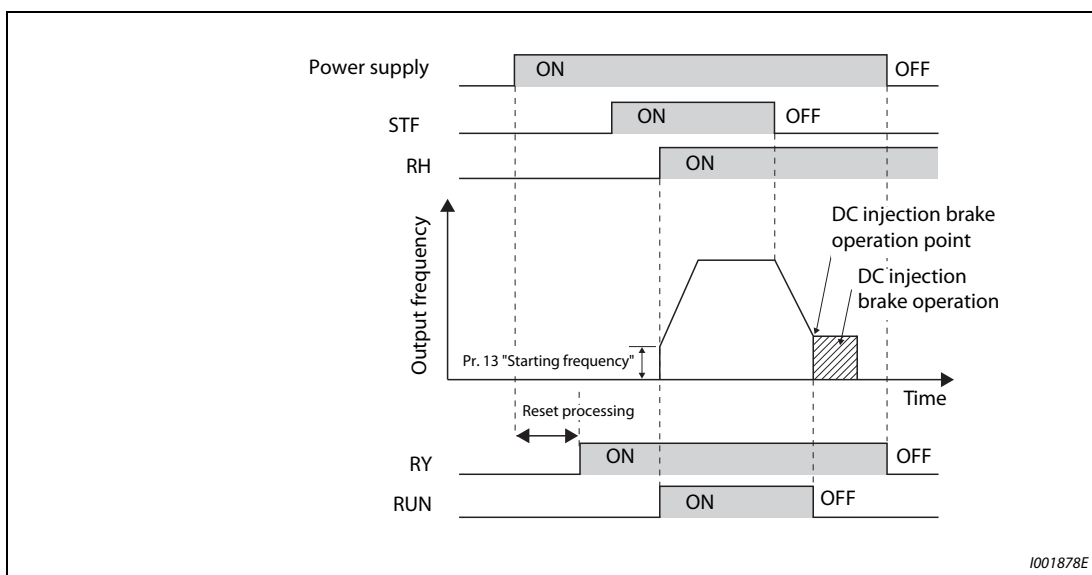
**Checking the inverter operating status by the inverter operation ready completion signal**

Operation ready signal (RY signal) is output when the inverter power is on and the inverter becomes operative. Check if the RY signal is output after powering on the inverter.

**Checking the inverter operating status by the start signal input to the inverter and inverter running signal**

The inverter running signal (RUN signal) is output when the inverter is running (RUN signal is assigned to terminal RUN in the initial setting).

Check if RUN signal is output when inputting the start signal to the inverter (forward signal is STF signal and reverse signal is STR signal). For logic check, note that RUN signal is output for the period from the inverter decelerates until output to the motor is stopped, configure a sequence considering the inverter deceleration time.



**Fig. 4-3:** Ready status and motor running

**Checking the motor operating status by the start signal input to the inverter and inverter output current detection signal**

The output current detection signal (Y12 signal) is output when the inverter operates and currents flows in the motor. Check if Y12 signal is output when inputting the start signal to the inverter (forward signal is STF signal and reverse signal is STR signal).

Note that the current level at which Y12 signal is output is set to 150% of the inverter rated current in the initial setting, it is necessary to adjust the level to around 20% using no load current of the motor as reference with Pr. 150 "Output current detection level".

For logic check, as same as the inverter running signal (RUN signal), the inverter outputs for the period from the inverter decelerates until output to the motor is stopped, configure a sequence considering the inverter deceleration time.



**Output terminal function assignment**

When using various signals, assign functions to Pr. 190 to Pr. 192 (output terminal function selection) referring to the table below.

Output Signal	190 to 192 Setting	
	Positive Logic	Negative Logic
ALM	99	199
RY	11	111
RUN	0	100
Y12	12	112

**Tab. 4-2:** Setting in positive and negative logic

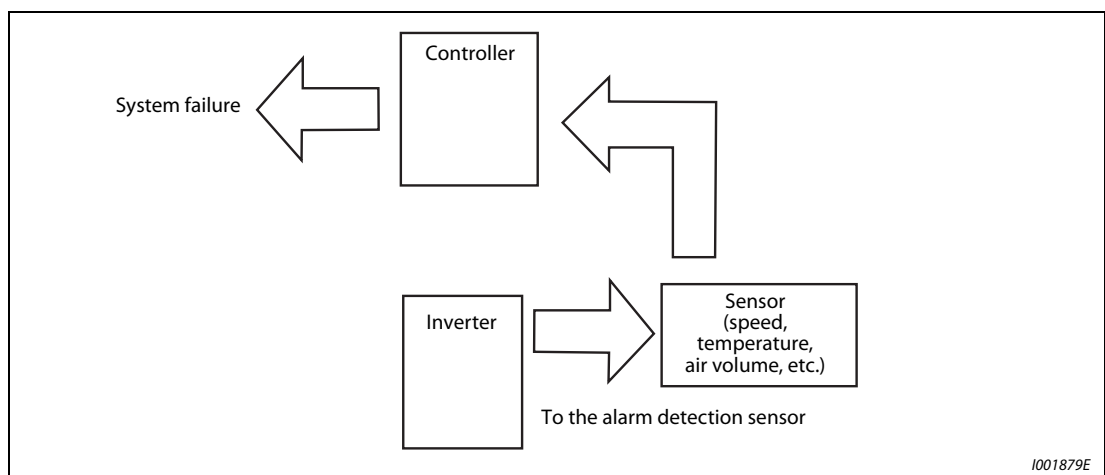
**NOTE**

Changing the terminal assignment using Pr. 190 to Pr. 192 "Output terminal function selection" may affect the other functions. Make setting after confirming the function of each terminal.

**Backup method outside the inverter**

Even if the interlock is provided by the inverter status signal, enough failsafe is not ensured depending on the failure status of the inverter itself. For example, even if the interlock is provided using the inverter fault output signal, start signal and RUN signal output, there is a case where a fault output signal is not output and RUN signal is kept output even if an inverter fault occurs. Provide a speed detector to detect the motor speed and current detector to detect the motor current and consider the backup system such as checking up as below according to the level of importance of the system.

- Start signal and actual operation check  
Check the motor running and motor current while the start signal is input to the inverter by comparing the start signal to the inverter and detected speed of the speed detector or detected current of the current detector. Note that the motor current runs as the motor is running for the period until the motor stops since the inverter starts decelerating even if the start signal turns off. For the logic check, configure a sequence considering the inverter deceleration time. In addition, it is recommended to check the three-phase current when using the current detector.
- Command speed and actual operation check  
Check if there is no gap between the actual speed and commanded speed by comparing the inverter speed command and detected speed of the speed detector.



**Fig. 4-4:** Backup method outside the inverter

## 4.2 Drive the motor

The inverter needs frequency command and start command. Refer to the flow chart below to perform setting.

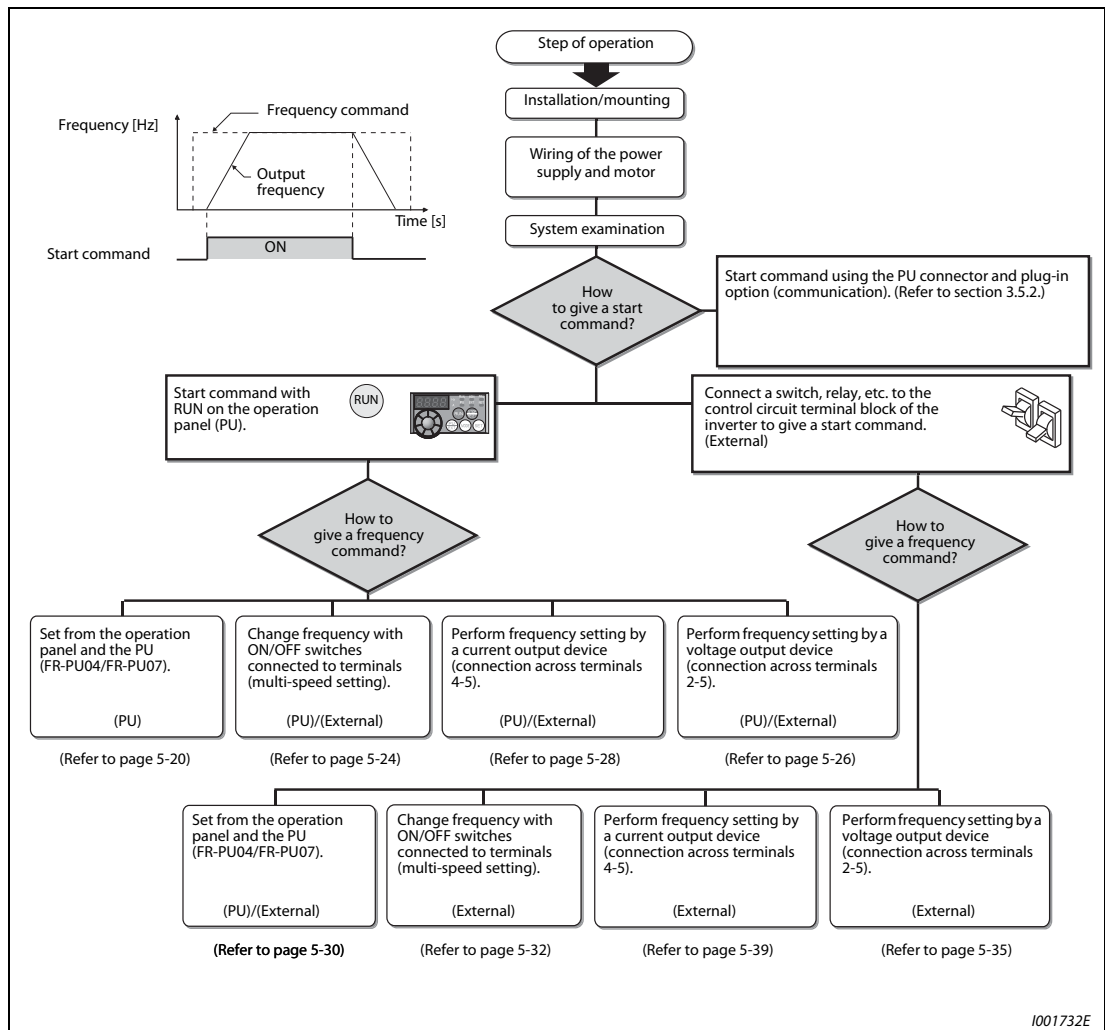


Fig. 4-5: Steps of operation

Check the following items before powering on the inverter:

- Check that the inverter is installed correctly in a correct place. (Refer to section 2.3.)
- Check that wiring is correct. (Refer to section 3.2.)
- Check that no load is connected to the motor.

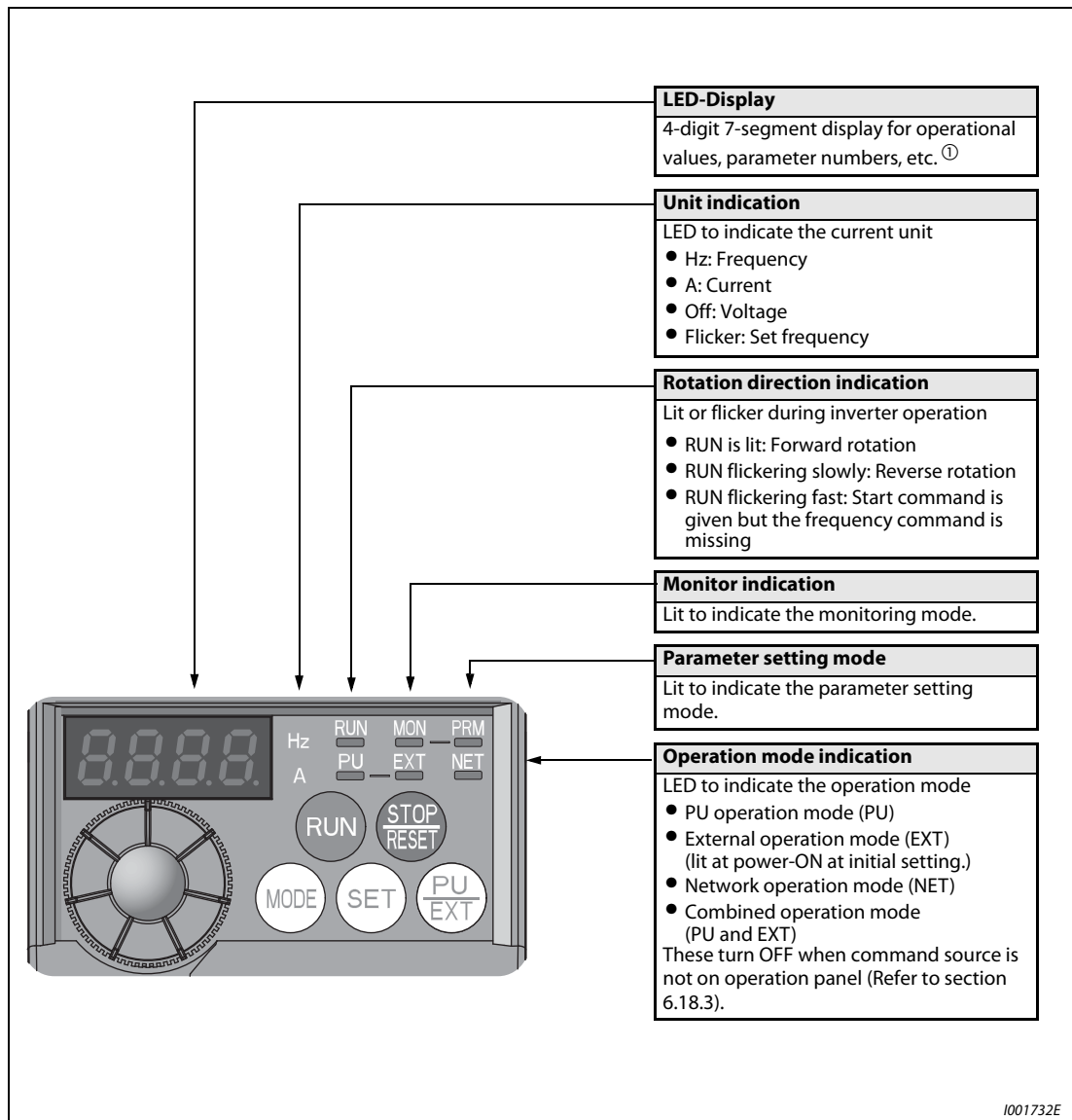
**NOTES**

When protecting the motor from overheat by the inverter, set Pr. 9 "Electronic thermal O/L relay". (Refer to section 5.1.1.)

When the rated frequency of the motor is 60Hz, set Pr. 3 "Base frequency" (Refer to section 5.1.2.)

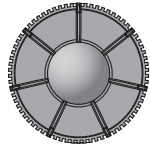




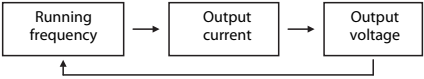

## 4.3 Operation panel

### 4.3.1 Parts of the operation panel



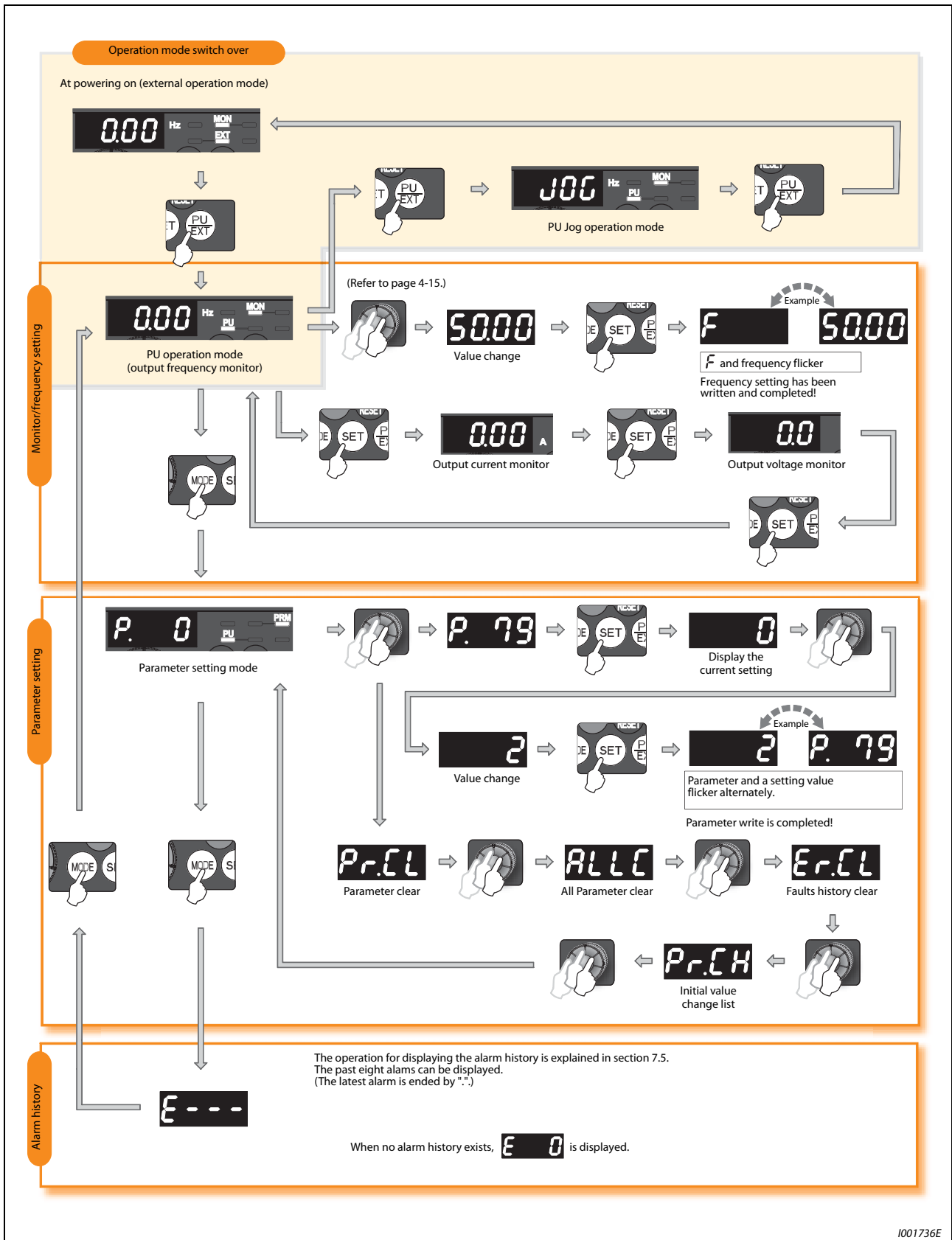
**Fig. 4-6:** Operation panel of the FR-E700SC

- ① The number of digits displayed on the operation panel is four. Only the upper four digits of values can be displayed and set. If the values to be displayed have five digits or more including decimal places, the fifth or later numerals can not be displayed nor set. When 50Hz is set, 50.00 is displayed. When 120Hz is set, 120.0 is displayed and second decimal place is not displayed nor set.

Key	Function	Description
	Digital dial	Used to change the frequency setting and parameter values. Press to display the following. <ul style="list-style-type: none"> <li>• Displays the set frequency in the monitor mode</li> <li>• Currently set value is displayed during calibration</li> <li>• Displays the order in the faults history mode</li> </ul>
	Rotation direction	RUN command for forward/reverse rotation. The rotation direction can be selected by setting Pr. 40.
	Stop operation/ Fault reset	<ul style="list-style-type: none"> <li>• Used to stop RUN command.</li> <li>• Fault can be reset when protective function is activated (fault).</li> </ul>
	Mode switch over	Used to change each setting mode. <ul style="list-style-type: none"> <li>• Pressing PU/EXT simultaneously changes the operation mode (refer to section 4.3.3).</li> <li>• Pressing for a while (2s) can lock operation (refer to section 4.3.4).</li> </ul>
	Write settings	If pressed during operation, monitor changes as below: <div style="text-align: center; margin-top: 10px;">  <pre>                     graph LR                         A[Running frequency] --&gt; B[Output current]                         B --&gt; C[Output voltage]                         C --&gt; A                     </pre> </div>
	Operation mode switch over	Used to switch between the PU and external operation mode. When using the external operation mode (operation using a separately connected frequency setting potentiometer and start signal), press this key to light up the EXT indication. (Press MODE simultaneously (0.5s) or change Pr. 79 setting to change to combined mode.) PU: PU operation mode EXT: External operation mode (Cancels PU stop also.)

**Tab. 4-3:** Keys of the operation panel

### 4.3.2 Basic operation (factory setting)



1001736E

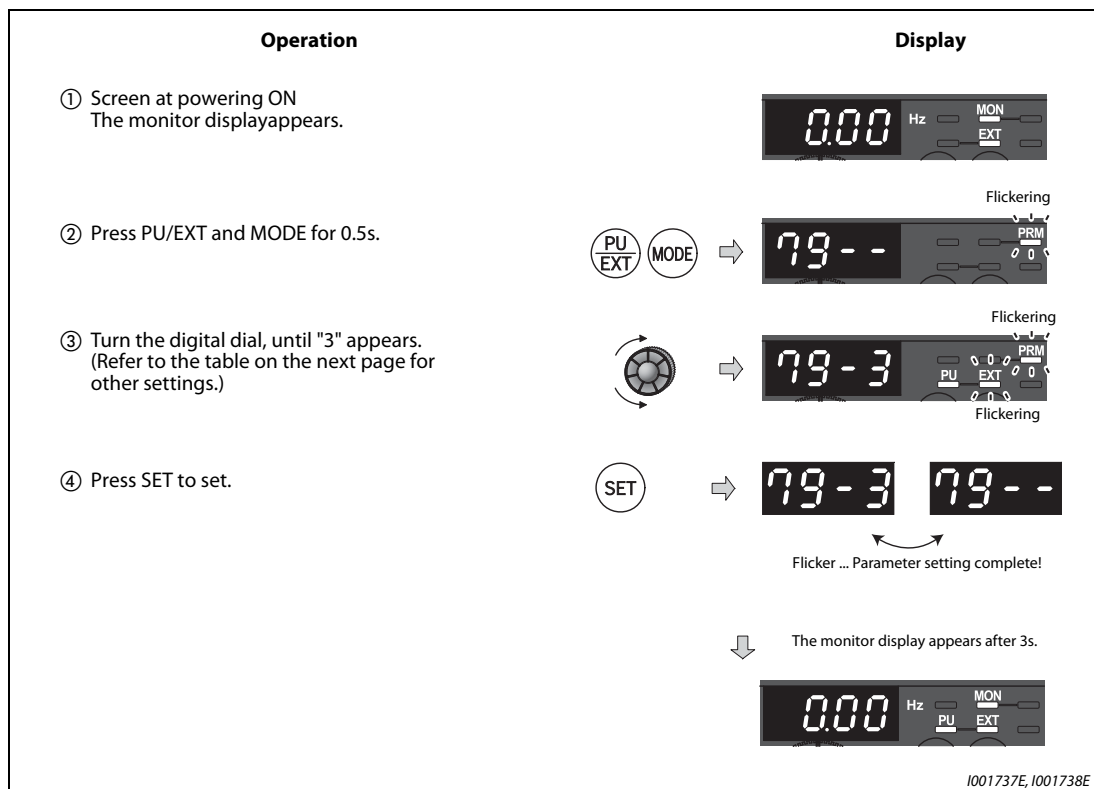
Fig. 4-7: Overview of the basic functions of the operation panel

### 4.3.3 Easy operation mode setting (easy setting mode)

A frequency inverter can be controlled alone via the control unit, through external signals (switch, SPC outputs, external setpoint sources, etc.) or through a combination of external signals and inputs to the control unit. The choice of operation mode is done by setting parameter 79. (Refer to section 5.1.6.)

Setting of Pr. 79 "Operation mode selection" according to combination of the start command and speed command can be easily made.

In the following example the parameter is set to the value "3" so that the motor is started by signals to the STF and STR terminals and the speed can be adjusted using the digital dial on the operator device.



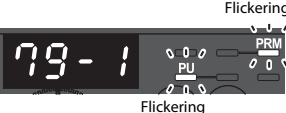



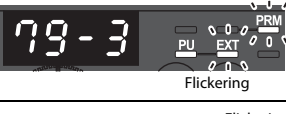



**Fig. 4-8:** One can immediately change parameter 79 by simultaneously pressing the PU/EXT and MODE buttons.

**NOTES**

If MODE is pressed before pressing SET, the easy setting mode is terminated and the display goes back to the monitor display.

If the easy setting mode is terminated while Pr. 79 = "0" (initial setting), the operation mode switches between the PU operation mode and the External operation mode. Check the operation mode.

Reset can be made with STOP/RESET.

Operation Panel Indication	Operation Panel Indication	Operation Method	
		Start Command	Frequency Command
PU Modes			
External operation mode		External (STF-, STR)	External (Analog signal at terminal 2 (voltage) or 4 (current))
Combined operation mode 1		External (STF-, STR)	
Combined operation mode 2			External (Analog signal at terminal 2 (voltage) or 4 (current))

**Tab. 4-4:** Operation modes and operation panel indication

**Possible faults:**

- "Er1" is displayed ... Why?
  - Parameter write is disabled with "1" set in Pr. 77.
  - Pr. 79 is not registered in user group with "1" in Pr. 160 "User group read selection".
- "Er2" is displayed ... Why?
  - Setting can not be made during operation. Stop the motor with the STOP/RESET key or by switching off the STR/STF signal.
- The priorities of the frequency commands when Pr. 79 = "3" are "Multi-speed operation (RL/RM/ RH/REX) > PID control (X14) > terminal 4 analog input (AU) > digital input from the operation panel".

### 4.3.4 Operation lock

Operation using the digital dial and key of the operation panel can be made invalid to prevent parameter change and unexpected start and stop.

#### Operation lock

- Set "10" or "11" in Pr. 161, then press the MODE key for 2s to make the digital dial key operation invalid.
- When the digital dial and key operation is made invalid, "HOLD" appears on the operation panel.
- When the digital dial and key operation is invalid, "HOLD" appears if the digital dial or key operation is performed. (When the digital dial or key operation is not performed for 2s, the monitor display appears.)

#### Operation unlock

To make the digital dial and key operation valid again, press the MODE key for 2s.

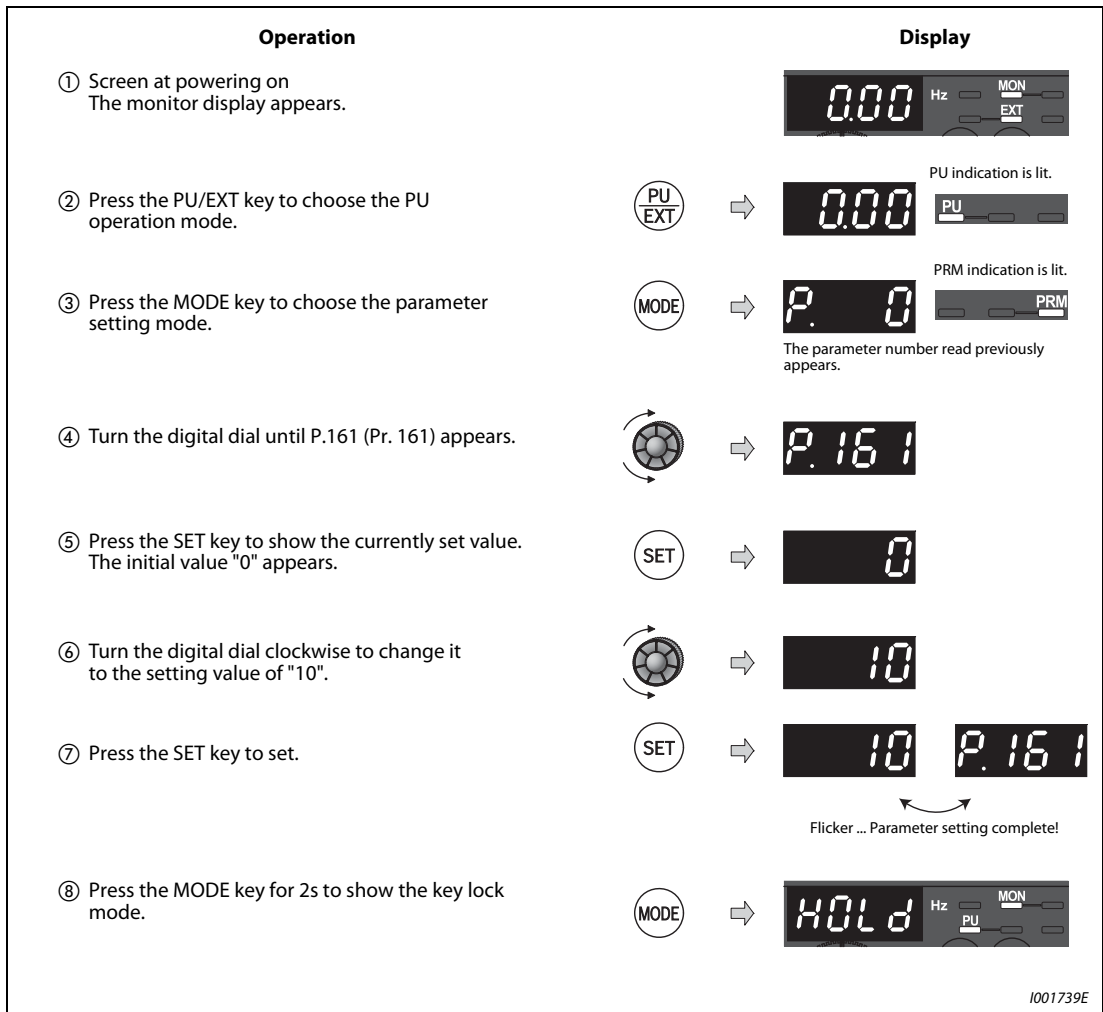
#### NOTES

▮ The STOP/RESET key is valid even in the operation lock status.

▮ Set "0" (extended mode parameter valid) in Pr. 160 "User group read selection".

▮ Set "10" or "11" (key lock mode valid) in Pr. 161 "Frequency setting/key lock operation selection".



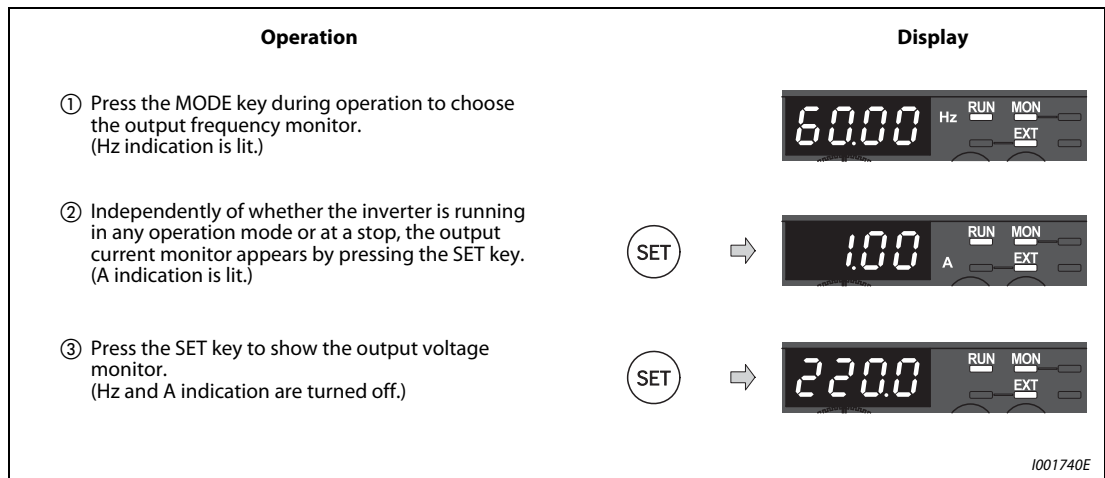


I001739E

**Fig. 4-9:** Operation lock

### 4.3.5 Monitoring of output current and output voltage

Monitor display of output frequency, output current and output voltage can be changed by pushing the SET key during monitoring mode.



**Fig. 4-10:** Monitoring of output current and output voltage

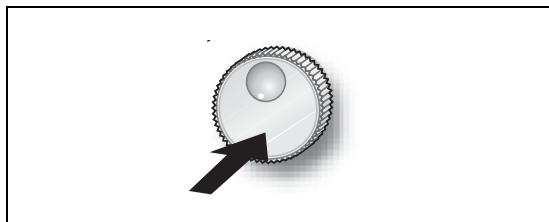
### 4.3.6 First priority monitor

Hold down the SET key for 1s to set monitor description to be appeared first in the monitor mode. (To return to the output frequency monitor, hold down the SET key for 1s after displaying the output frequency monitor.)

### 4.3.7 Digital dial push

Appears when PU operation mode or external/PU combined operation mode 1 is selected (Pr. 79 = "3").

Push the digital dial to display the set frequency currently set.



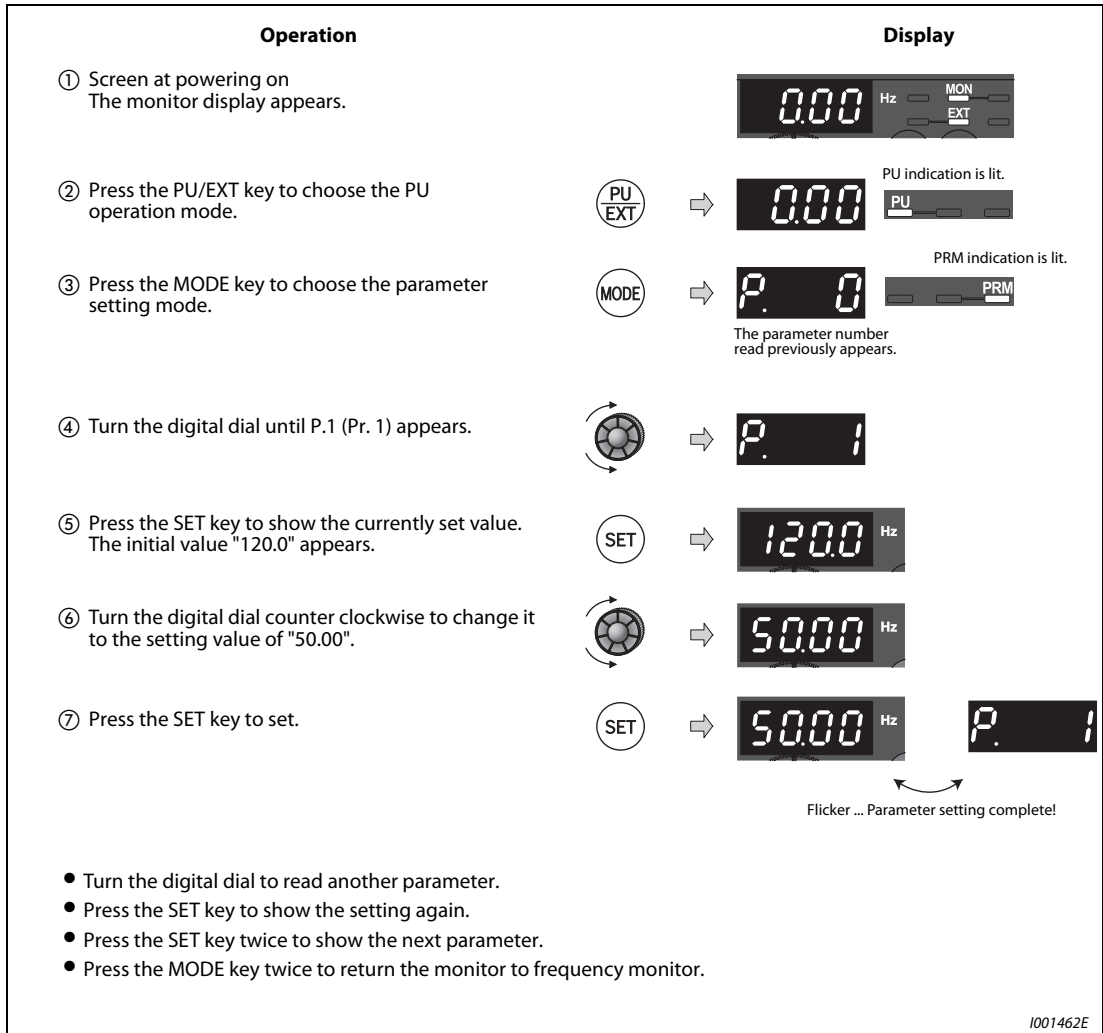
**Fig. 4-11:**  
Display the set frequency currently set

I001067E

### 4.3.8 Change the parameter setting value

**Example** ▾

Change the Pr. 1 "Maximum frequency" setting from 120Hz to 50Hz.



**Fig. 4-12:** Setting the maximum output frequency

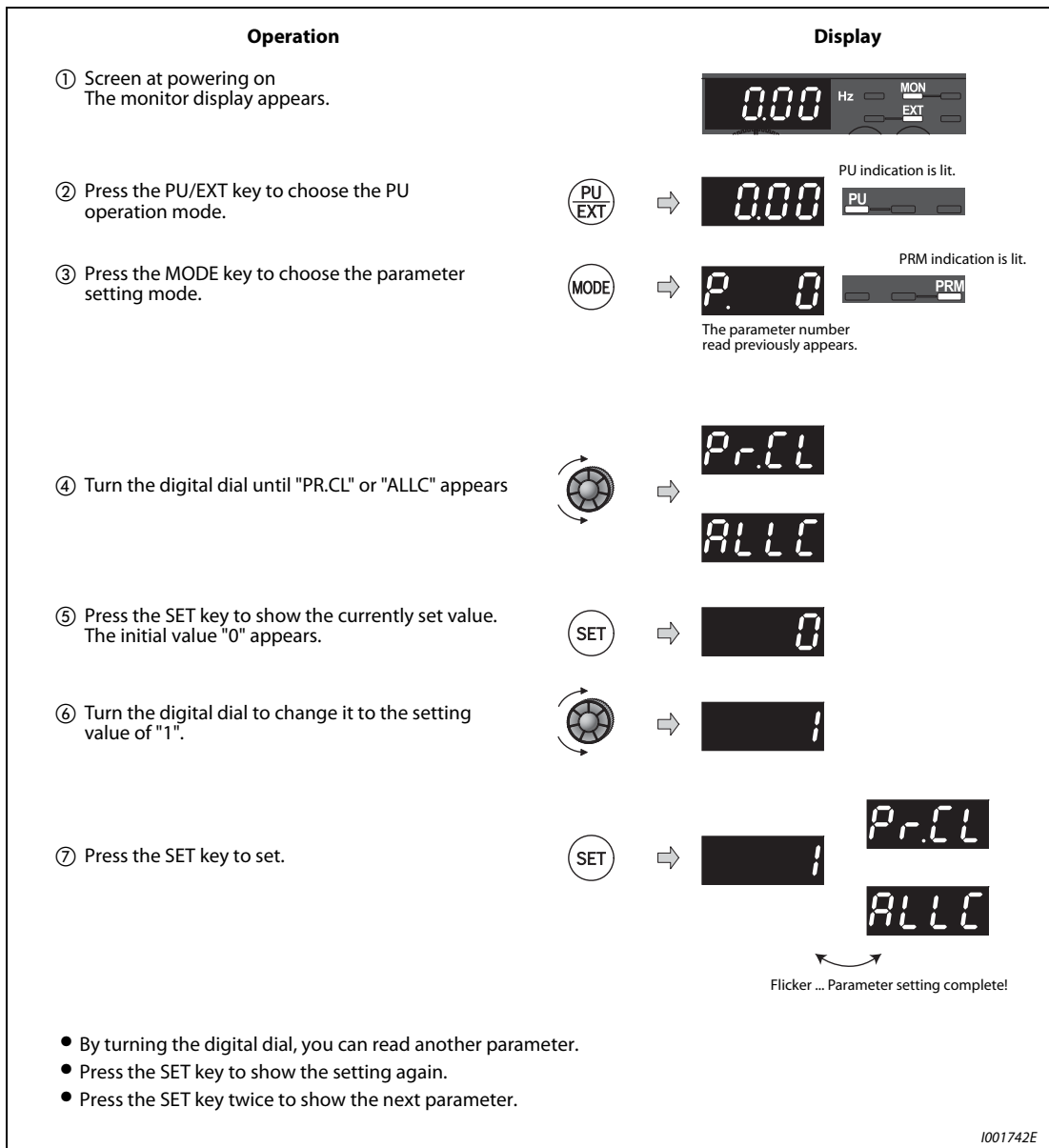
**Possible faults:**

- "Er1" to "Er4" is displayed ... Why?
  - The error indication means:
    - Er1: Write disable error
    - Er2: Write error during operation
    - Er3: Calibration error
    - Er4: Mode designation error

For details refer to section 7.1.

### 4.3.9 Parameter clear/All Parameter clear

- Set "1" in Pr.CL "Parameter clear" or ALLC "All parameter clear" to initialize all parameters. (Parameters are not cleared when "1" is set in Pr. 77 "Parameter write selection".)
- Parameter clear returns all parameters except calibration parameters C1 (Pr. 901) to C7 (Pr. 905) and the terminal function selection parameters to the initial values.
- Refer to the extended parameter list Tab. 6-1 for parameters cleared with this operation.



**Fig. 4-13:** Parameter clear

**Possible faults:**

- "1" and "Er4" are displayed alternately.
  - The inverter is not in the PU operation mode. Press the PU/EXT key. The PU indication is lit and the monitor (4 digit LED) displays "1". (When Pr. 79 = "0" (initial value)). Carry out operation from step ④ again.

### 4.3.10 Initial value change list

Displays and sets the parameters changed from the initial value.

#### NOTES

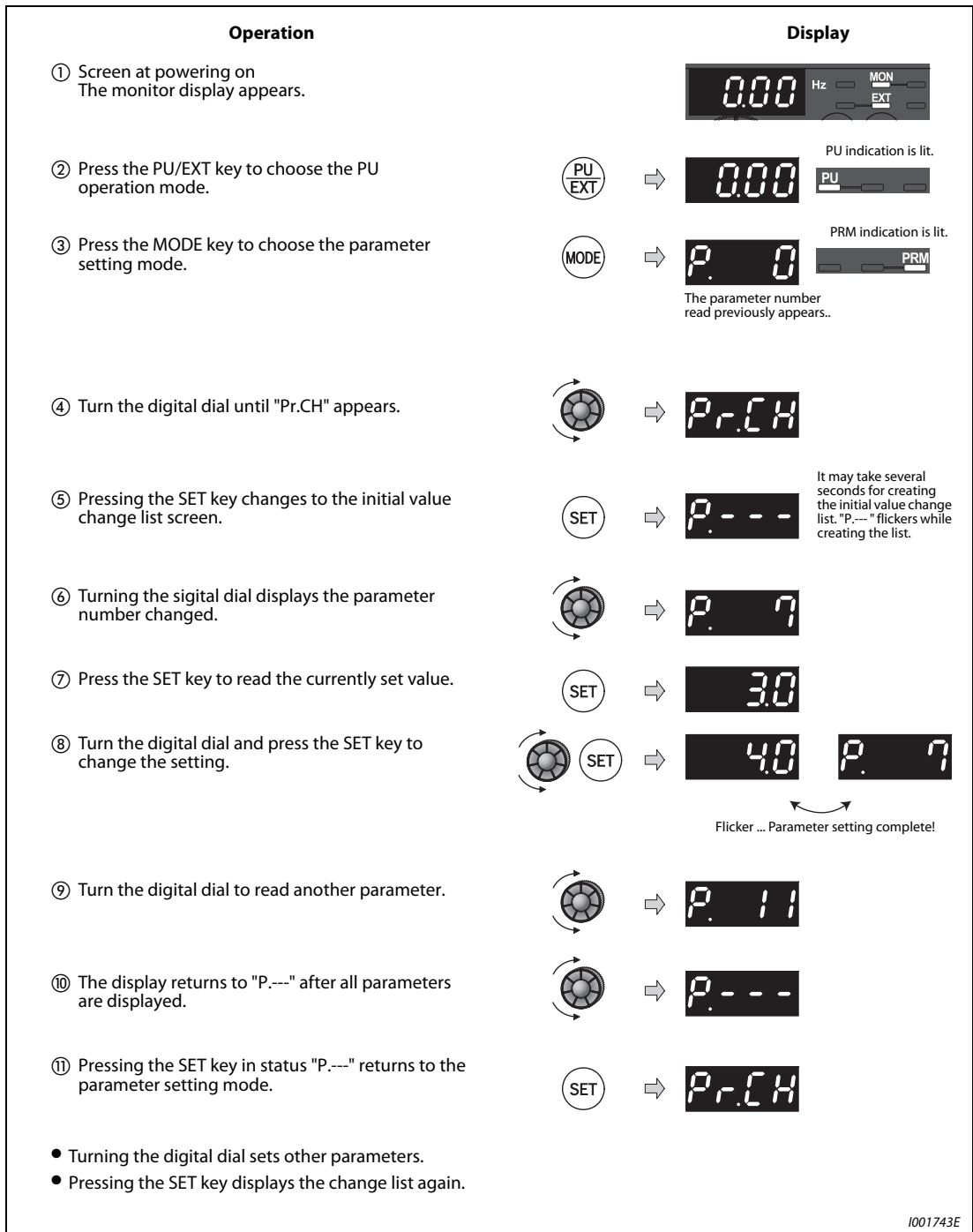
Calibration parameters (C1 (Pr. 901) to C7 (Pr. 905)) are not displayed even they are changed from the initial settings.

Only simple mode parameter is displayed when simple mode is set (Pr. 160 = 9999).

Only user group is displayed when user group is set (Pr. 160 = "1").

Pr. 160 is displayed independently of whether the setting value is changed or not.

When parameter setting is changed after creating the initial value change list, the setting will be reflected to the initial value change list next time.



**Fig. 4-14:** Initial value change list

# 5 Basic settings

## 5.1 Simple mode parameter list

For simple variable-speed operation of the inverter, the initial setting of the parameters may be used as they are. Set the necessary parameters to meet the load and operational specifications. Parameter setting, change and check can be made from the operation panel. For details of parameters, refer to chapter 6.

**NOTE**

Only simple mode parameter can be displayed using Pr. 160 "User group read selection". All parameters are displayed with the initial setting. Set Pr. 160 "User group read selection" as required. (Refer to section 6.17.4.)

Pr. 160	Description
9999	Only the simple mode parameters can be displayed.
0 (initial value)	Simple mode and extended mode parameters can be displayed.
1	Only parameters registered in the user group can be displayed.

**Tab. 5-1:** Setting of parameter 160

Pr.	Name	Increments	Initial Value	Range	Description	Refer to Page	
0	Torque boost	0.1%	6/4/3/2% <sup>①</sup>	0–30%	Set to increase a starting torque or when the motor with a load will not rotate, resulting in an alarm (OL) and a trip (OC1).	5-5	
1	Maximum frequency	0.01Hz	120Hz	0–120Hz	Set when the maximum output frequency need to be limited.	5-7	
2	Minimum frequency	0.01Hz	0Hz		Set when the minimum output frequency need to be limited.		
3	Base frequency	0.01Hz	50Hz	0–400Hz	Check the motor rating plate.	5-4	
4	Multi-speed setting	RH	50Hz	0–400Hz	Set when changing the preset speed in the parameter with a terminal.	5-32	
5			RM				30Hz
6			RL				10Hz
7	Acceleration time	0.1s	5/10/15s <sup>②</sup>	0–3600s	Acceleration/deceleration time can be set.	5-9	
8	Deceleration time		5/10/15s <sup>②</sup>				
9	Electronic thermal O/L relay	0.01A	Rated inverter current	0–500A	Protect the motor from overheat by the inverter. Set the rated motor current.	5-2	
79	Operation mode selection	1	0	0/1/2/3/4/6/7	Select the start command location and frequency command location.	5-11	
125	Frequency setting gain frequency	Terminal 2	0.01Hz	50Hz	0–400Hz	Frequency for the maximum value of the potentiometer (at 5V) can be changed.	5-38
126						Terminal 4	Frequency at 20mA input can be changed.
160	User group read selection	1	0	0/1/9999	Make extended parameters valid	6-196	

**Tab. 5-2:** Simple mode parameters

- ① Initial values differ according to the inverter capacity:  
 6%: FR-E720S-050SC or less, FR-E740-026SC or less  
 4%: FR-E720S-080SC and 110SC, FR-E740-040SC to 095SC  
 3%: FR-E740-120SC and 170SC  
 2%: FR-E740-230SC and 300SC
- ② Initial values differ according to the inverter capacity:  
 5s: FR-E720S-110SC or less, FR-E740-095SC or less  
 10s: FR-E740-120SC and 170SC  
 15s: FR-E740-230SC and 300SC

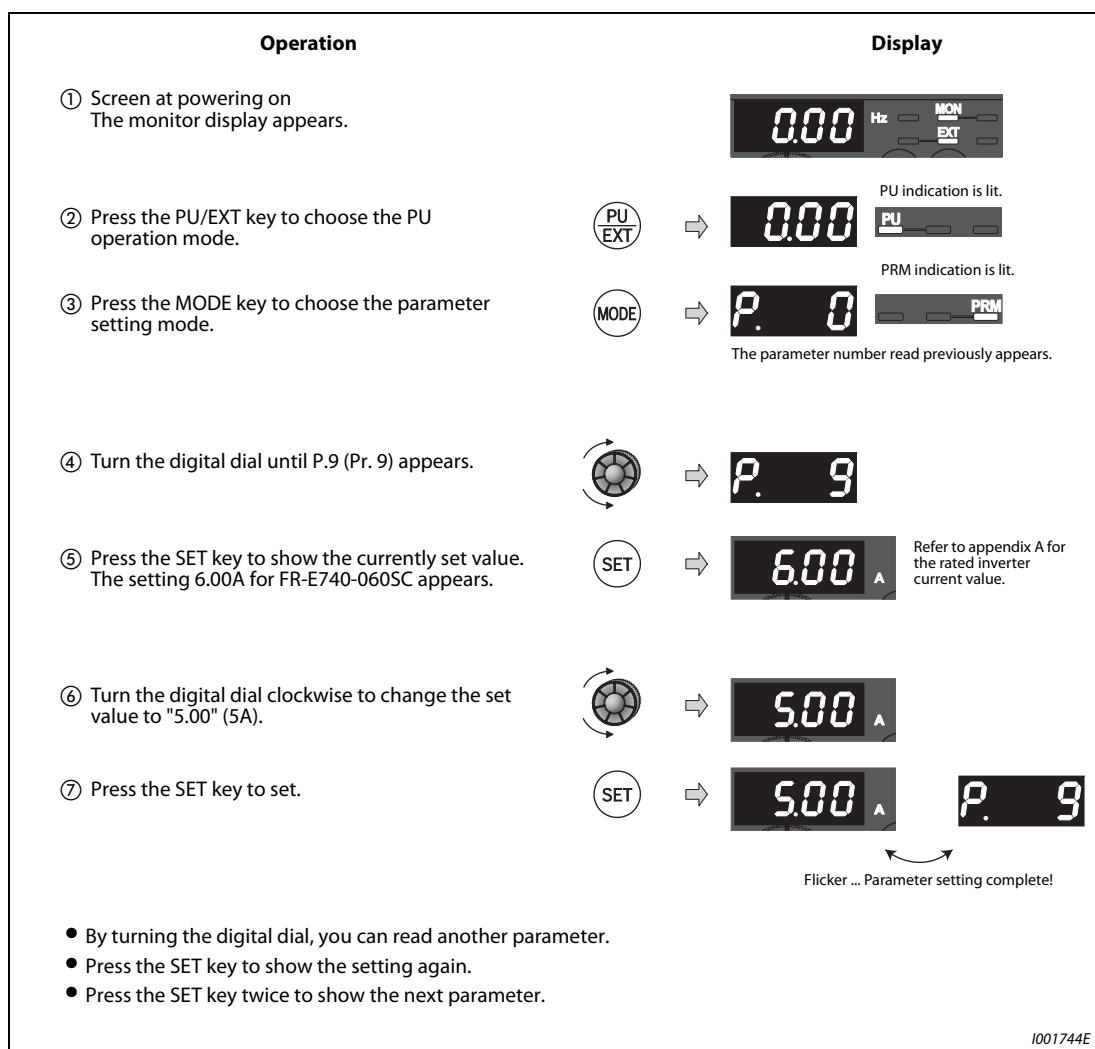
### 5.1.1 Overheat protection of the motor by the inverter

Set this parameter when using a motor other than the Mitsubishi standard motor (SF-JR) and Mitsubishi constant torque motor (SF-HRCA). Set the rated motor current in Pr. 9 "Electronic thermal O/L relay" to protect the motor from overheat.

Pr. No.	Name	Initial Value	Setting Range	Description
9	Electronic thermal O/L relay	Rated inverter current ① ②	0-500A	Set the rated motor current.

- ① The initial value of the FR-E720S-050SC or less and FR-E740-026SC or less, is set to 85% of the rated inverter current.
- ② Refer to appendix A for the rated inverter current value.

**Example** ▾ Change the Pr. 9 "Electronic thermal O/L relay" setting to 5A according to the motor rated current.



**Fig. 5-1:** Setting of the electronic thermal O/L relay





**NOTES**

Protective function by electronic thermal relay function is reset by inverter power reset and reset signal input. Avoid unnecessary reset and power-off.

When two or more motors are connected to the inverter, they cannot be protected by the electronic thermal relay function. Install an external thermal relay to each motor.

When the difference between the inverter and motor capacities is large and the setting is small, the protective characteristics of the electronic over current protection will be deteriorated. In this case, use an external thermal relay.

A special motor cannot be protected by the electronic thermal relay function. Use an external thermal relay.

Electronic thermal relay does not work when 5% or less of inverter rated current is set to electronic thermal relay setting.

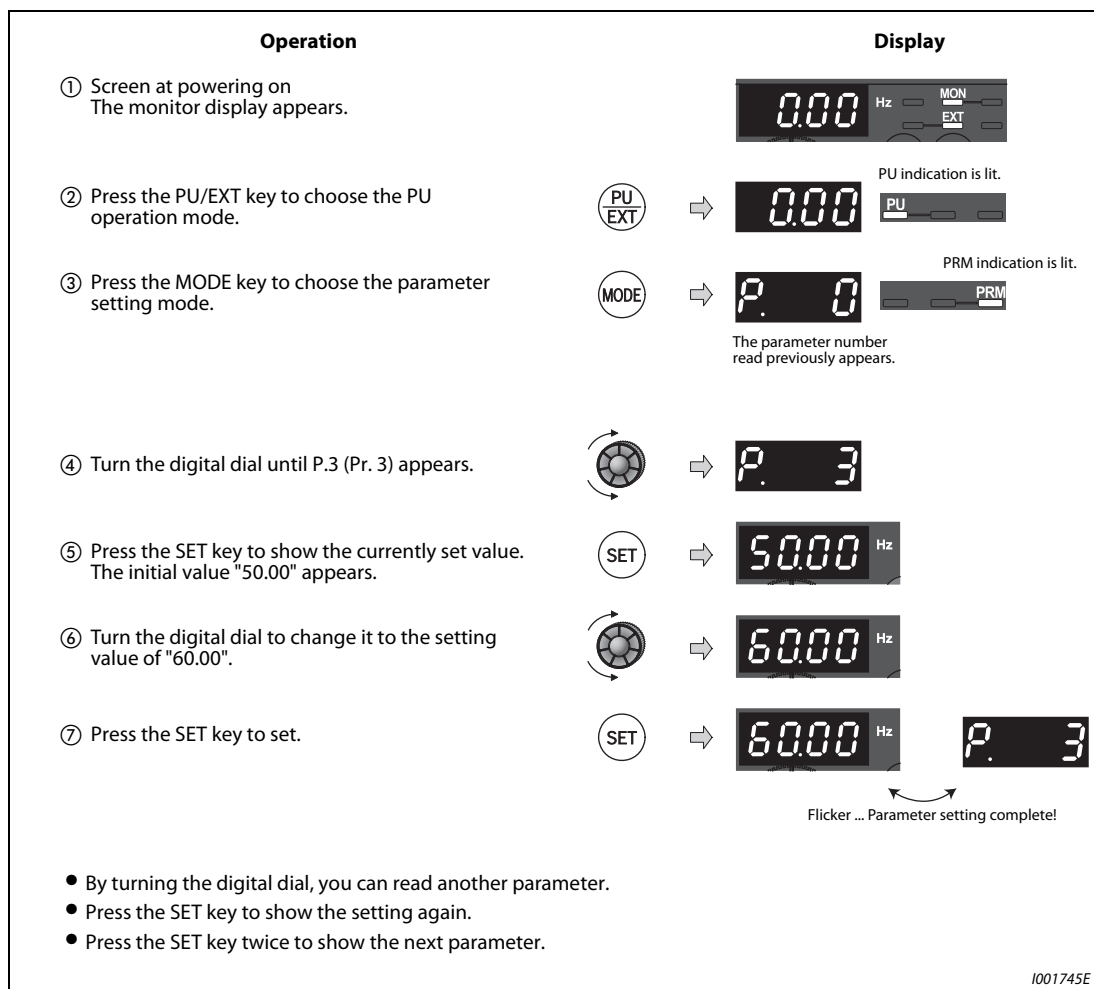
### 5.1.2 When the rated motor frequency is 60Hz (Pr. 3)

First, check the motor rating plate. If a frequency given on the rating plate is "60Hz" only, always set Pr. 3 "Base frequency" to "60Hz". Leaving the base frequency unchanged from "50Hz" may make the voltage low and the torque insufficient. It may result in an inverter trip due to overload.

Pr. No.	Name	Initial Value	Setting Range	Description
3	Base frequency	50Hz	0-400Hz	Set the rated motor frequency.

**Example** ▾

Change Pr. 3 "Base frequency" to 60Hz according to the motor rated frequency.



**Fig. 5-2:** Setting the base frequency



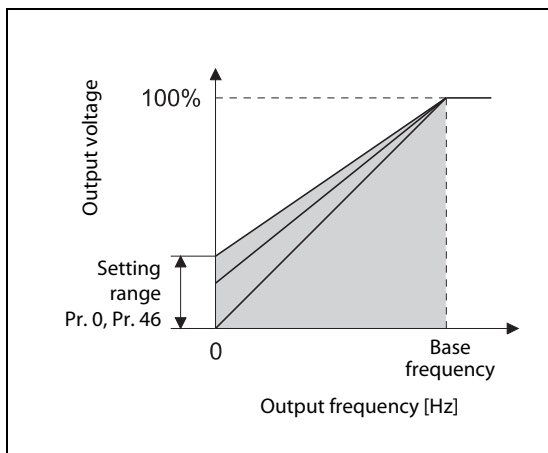
### 5.1.3 Increase the starting torque (Pr. 0)

Set this parameter when the motor with a load does not rotate, an alarm OL is output, resulting in an inverter trip due to OC1, etc.

Pr. No.	Name	Initial Value		Setting Range	Description
<b>0</b>	Torque boost	FR-E720S-008SC to 050SC FR-E740-016SC and 026SC	6%	0-30%	Motor torque in the low-frequency range can be adjusted to the load to increase the starting motor torque.
		FR-E720S-080SC and 110SC FR-E740-040SC to 095SC	4%		
		FR-E740-120SC and 170SC	3%		
		FR-E740-230SC and 300SC	2%		

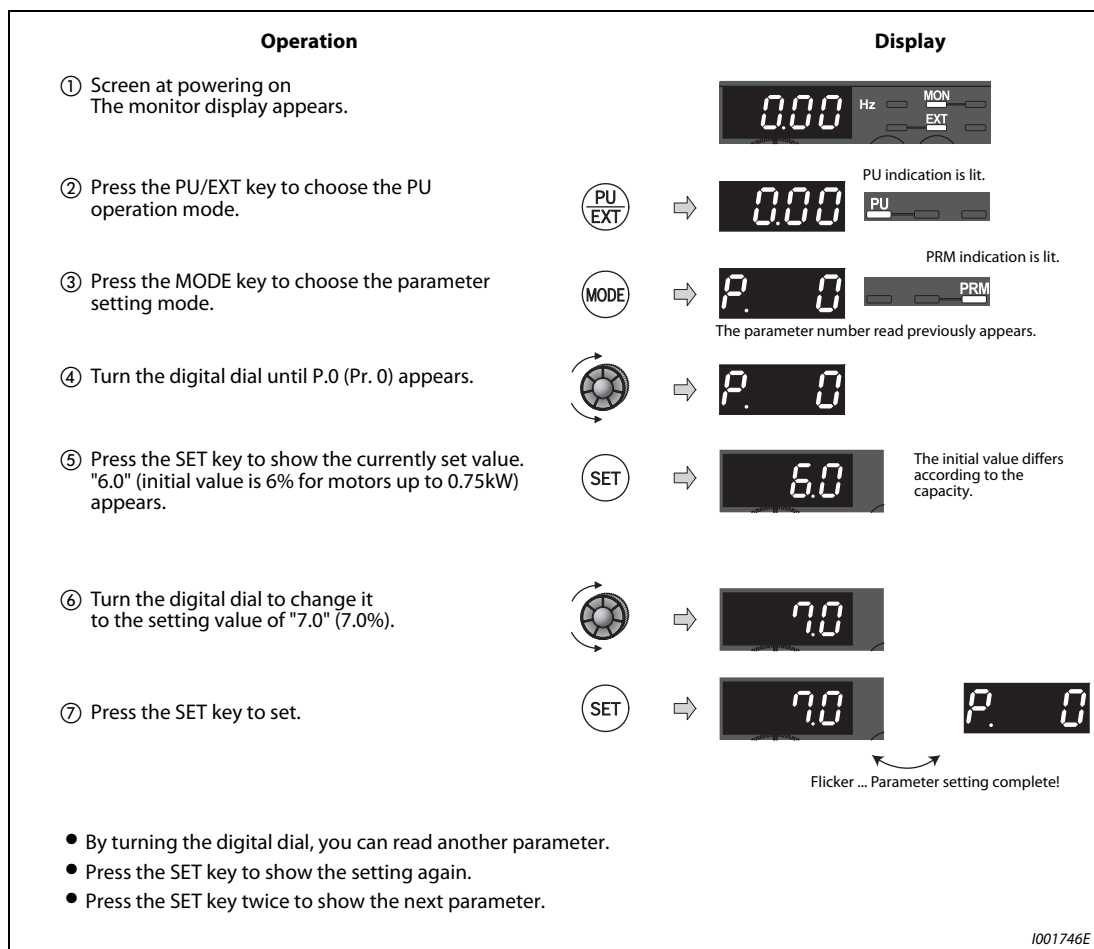
**Example** ▾

When the motor with a load does not rotate, increase the Pr. 0 value 1% by 1% unit by looking at the motor movement. (The guideline is for about 10% change at the greatest.)



**Fig. 5-3:**  
Relation between output frequency and output voltage

I001098E



**Fig. 5-4:** Setting the starting torque



#### NOTES

A too large setting will cause the motor to overheat, resulting in an over current trip (OL (over current alarm) then E.OC1 (over current shutoff during acceleration)), thermal trip (E.THM (Motor overload shutoff), and E.THT (Inverter overload shutoff)).

When an error (E.OC1) occurs, release the start command, and decrease the value 1% by 1%. (Refer to page 7-9.)

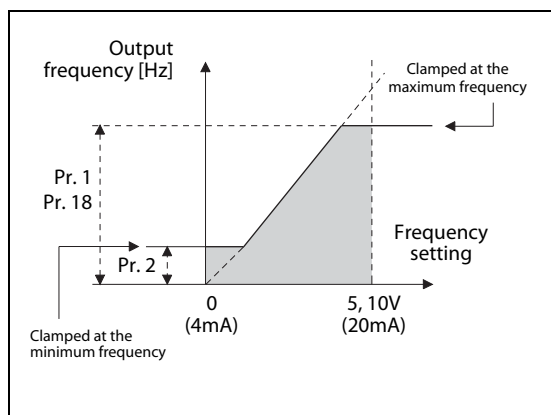
If the inverter still does not operate properly after the above measures, adjust the acceleration/ deceleration setting or activate the vector control function by Pr. 80 "Motor capacity". (Refer to section 6.3.2.)

### 5.1.4 Limit the maximum and minimum output frequency (Pr. 1, Pr. 2)

Pr. No.	Name	Initial Value	Setting Range	Description
1	Maximum frequency	120Hz	0–120Hz	Set the upper limit of the output frequency.
2	Minimum frequency	0Hz	0–120Hz	Set the lower limit of the output frequency.

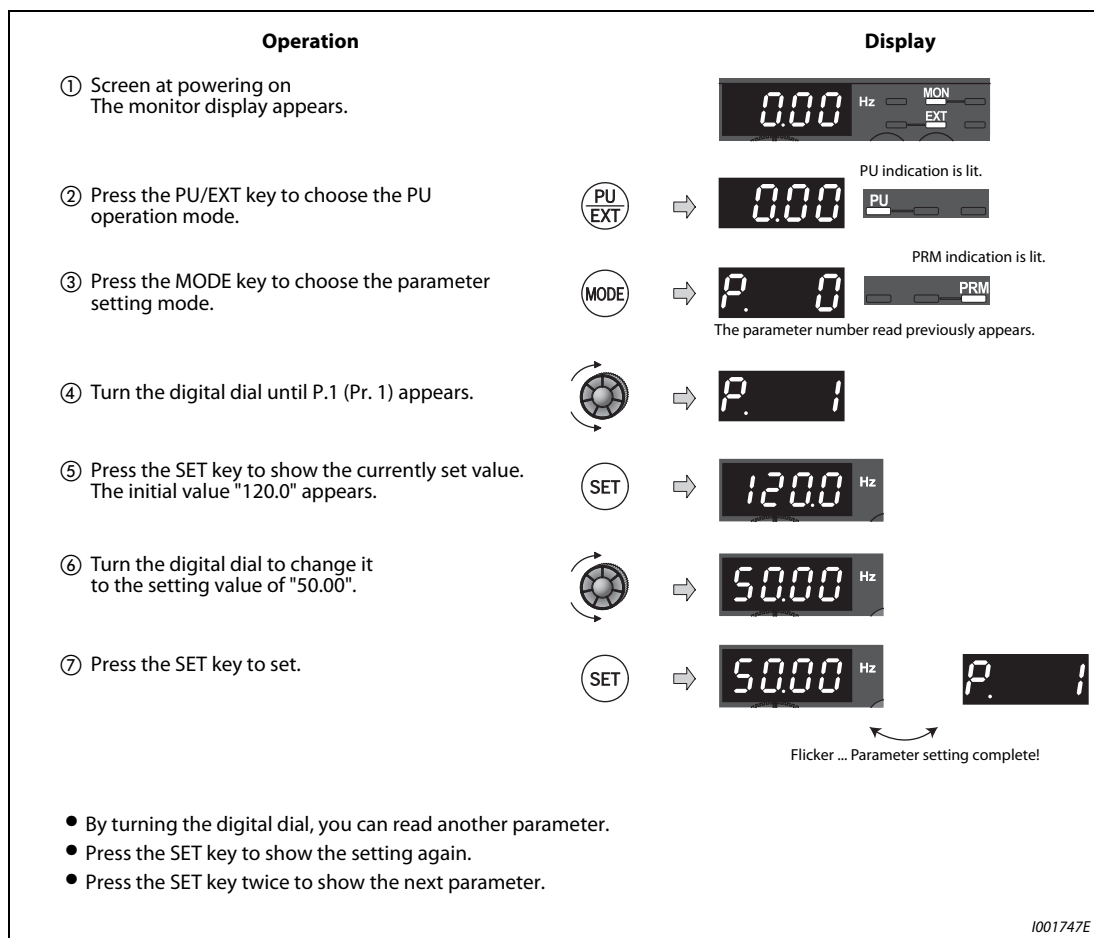
**Example** ▾

You can limit the motor speed. Limit the frequency set by the potentiometer, etc. to 50Hz maximum. (Set "50"Hz to Pr. 1 "Maximum frequency".)



**Fig. 5-5:** Minimum and maximum output frequency

1001100E



**Fig. 5-6:** Setting the maximum frequency



#### NOTES

The output frequency is clamped by the Pr. 2 setting even the set frequency is lower than the Pr. 2 setting (The frequency will not decrease to the Pr. 2 setting.) Note that Pr. 15 "Jog frequency" has higher priority than the minimum frequency.

When the Pr. 1 setting is changed, frequency higher than the Pr. 1 setting can not be set by the digital dial.

When performing a high speed operation at 120Hz or more, setting of Pr. 18 "High speed maximum frequency" is necessary. (Refer to section. 6.4.1.)



#### CAUTION:

**If the Pr. 2 setting is higher than the Pr. 13 "Starting frequency" value, note that the motor will run at the set frequency according to the acceleration time setting by merely switching the start signal on, without entry of the command frequency.**

### 5.1.5 Change the acceleration/deceleration time (Pr. 7, Pr. 8)

Set in Pr. 7 "Acceleration time" a larger value for a slower speed increase and a smaller value for a faster speed increase.

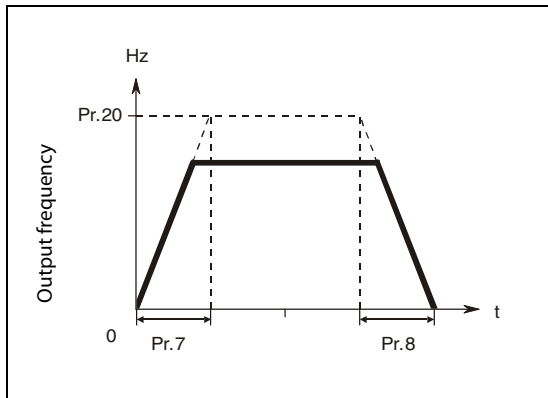
Set in Pr. 8 "Deceleration time" a larger value for a slower speed decrease and a smaller value for a faster speed decrease.

Pr. No.	Name	Initial Value	Setting Range	Description	
7	Acceleration time	≤ FR-E720S-110SC ≤ FR-E740-095SC	5s	0–3600s/ 0–360s <sup>①</sup>	Set the motor acceleration time.
		FR-E740-120SC and 170SC	10s		
		FR-E740-230SC and 300SC	15s		
8	Deceleration time	≤ FR-E720S-110SC ≤ FR-E740-095SC	5s	0–3600s/ 0–360s <sup>①</sup>	Set the motor deceleration time.
		FR-E740-120SC and 170SC	10s		
		FR-E740-230SC and 300SC	15s		

① Depends on the Pr. 21 "Acceleration/deceleration time increments" setting. The initial value for the setting range is "0 to 3600s" and setting increments is "0.1s".

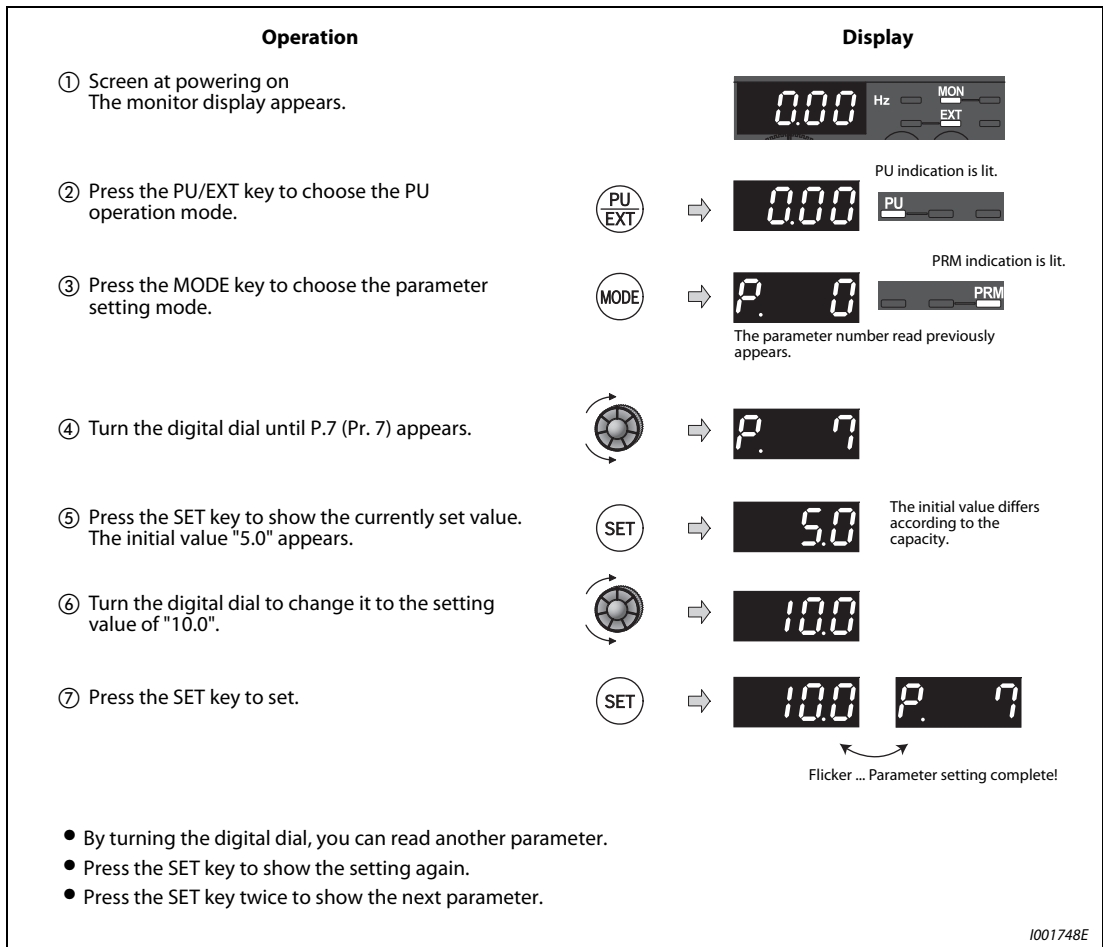
**NOTE** Too short acceleration/deceleration times may lead to an inverter shutoff with error message (E.THT, E.THM, E.OCT, E.OVT ...).

**Example** ▾ Change the Pr. 7 "Acceleration time" setting from "5s" to "10s".



**Fig. 5-7:**  
Acceleration/deceleration time

1000006C














**Fig. 5-8:** Setting the acceleration time





## 5.1.6 Operation mode (Pr. 79)

Select the operation command location and frequency command location.

Pr. No.	Name	Initial Value	Setting Range	Description	LED Indication	
79	Operation mode selection	0	0	External/PU switch over mode Press the PU/EXT key to switch between the PU and external operation mode. (Refer to section 4.3.3.) At power on, the inverter is in the external operation mode.	External operation mode  PU operation mode 	
			1	PU operation mode		
			2	Fixed to external operation mode Operation can be performed by switching between the external and Net operation mode.	External operation mode  NET operation mode 	
			3	External/PU combined operation mode 1	Running frequency   Start signal Operation panel and PU (FR-PU04/FR-PU07) setting or external signal input (multi-speed setting, across terminals 4-5 (valid when AU signal turns on)).   External signal input (terminal STF-, STR)	
				External/PU combined operation mode 2		
			4	Running frequency   Start signal	External signal input (Terminal 2, 4, JOG, multi-speed selection, etc.)   Input using the RUN-key of the operation panel or FWD/REV of the PU (FR-PU04/FR-PU07)	
				External signal input (Terminal 2, 4, JOG, multi-speed selection, etc.)   Input using the RUN-key of the operation panel or FWD/REV of the PU (FR-PU04/FR-PU07)		
6	Switch-over mode Switch among PU operation, external operation, and NET operation while keeping the same operation status.	PU operation mode  External operation mode  NET operation mode 				
7	External operation mode (PU operation interlock) X12 signal ON <sup>①</sup> : Operation mode can be switched to the PU operation mode. (output stop during external operation) X12 signal OFF <sup>①</sup> : Operation mode can not be switched to the PU operation mode.	PU operation mode  External operation mode 				

<sup>①</sup> For the terminal used for the X12 signal (PU operation interlock signal) input, assign "12" in Pr. 178 to Pr. 184 "Input terminal function selection" to assign functions. For Pr. 178 to Pr. 184, refer to section 6.10.1. When the X12 signal is not assigned, function of the MRS signal switches from MRS (output stop) to PU operation interlock signal.

### NOTE

Setting value "1" to "4" can be changed in the easy operation mode. (Refer to section 4.3.3.)

### 5.1.7 Large starting torque and low speed torque are necessary (Advanced magnetic flux control, General-purpose magnetic flux vector control) (Pr. 71, Pr. 80, Pr. 81, Pr. 800)

Advanced magnetic flux vector control can be selected by setting the capacity, poles and type of the motor used in Pr. 80 and Pr. 81.

#### Advanced magnetic flux vector control or general-purpose magnetic flux vector control?

The low speed torque can be improved by providing voltage compensation so that the motor current which meets the load torque to flow. Output frequency compensation (slip compensation) is made so that the motor actual speed approximates a speed command value. Effective when load fluctuates drastically, etc.

General-purpose magnetic flux vector control is the same function as it is for the FR-E500 series. Select this control when operation characteristics as similar as possible are required when replacing from the FR-E500 series. For other cases, select advanced magnetic flux vector control.

Pr. No.	Name	Initial Value	Setting Range	Description
<b>9</b>	Electronic thermal O/L relay	Rated inverter current <sup>①</sup>	0–500A	Set the rated motor current.
<b>71</b>	Applied motor	0	0/1/3–6/13–16/23/24/40/43/44/50/53/54	By selecting a standard motor or constant-torque motor, thermal characteristic and motor constants of each motor are set.
<b>80</b>	Motor capacity	9999	0.1–55kW	Set the applied motor capacity.
			9999	V/F Control
<b>81</b>	Number of motor poles	9999	2/4/6/8/10	Set the number of motor poles.
			9999	V/F Control
<b>800</b>	Control method selection	20	20	Advanced magnetic flux vector control <sup>②</sup>
			30	General-purpose magnetic flux vector control <sup>②</sup>

<sup>①</sup> Refer to appendix A for the rated inverter output current.

<sup>②</sup> Set a value other than "9999" in Pr. 80 and Pr. 81.

#### NOTES

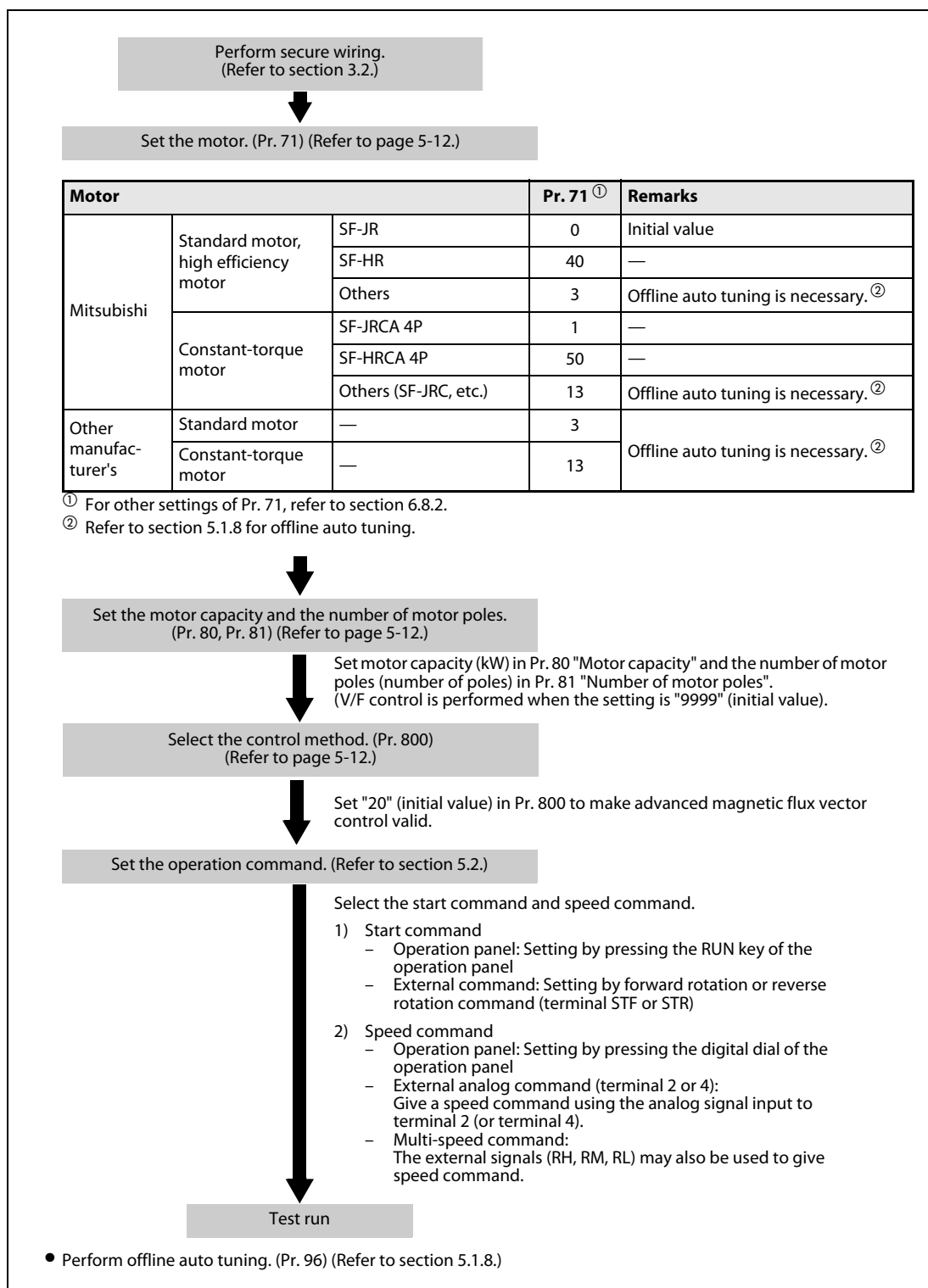
If the following conditions are not satisfied, select V/F control since malfunction such as insufficient torque and uneven rotation may occur.

- The motor capacity should be equal to or one rank lower than the inverter capacity. (Note that the capacity should be 0.1kW or more.)
- Motor to be used is any of Mitsubishi standard motor, high efficiency motor (SF-JR, SF-HR 0.2kW or more) or Mitsubishi constant-torque motor (SF-JRCA four-pole, SF-HRCA 0.4kW to 15kW). When using a motor other than the above (other manufacturer's motor), perform offline auto tuning without fail.

Single-motor operation (one motor run by one inverter) should be performed.

The wiring length from inverter to motor should be within 30m. (Perform offline auto tuning in the state where wiring work is performed when the wiring length exceeds 30m.)

**Selection method of advanced magnetic flux vector control**



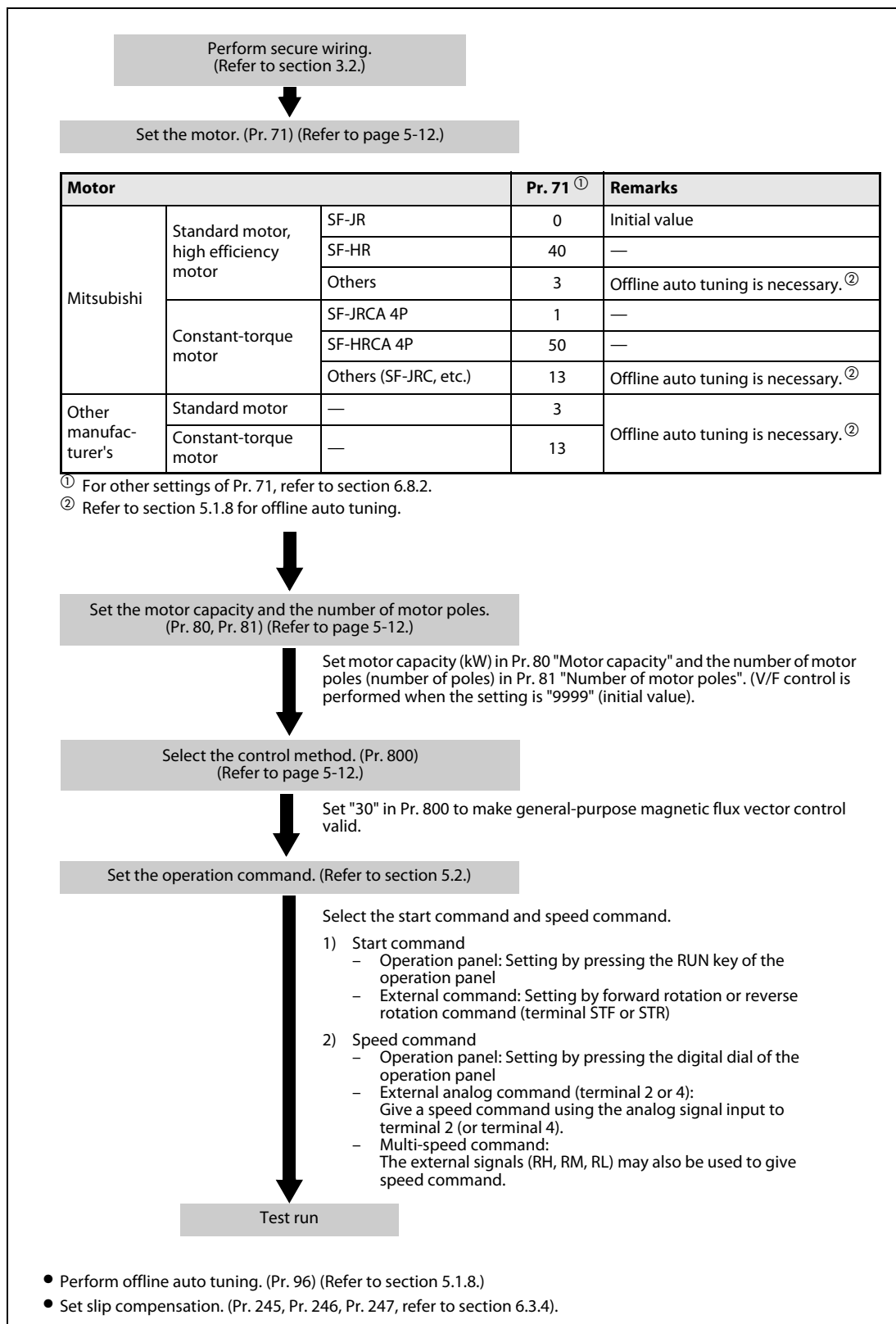
**Fig. 5-9:** Selection method of advanced magnetic flux vector control

**NOTES**

Uneven rotation slightly increases as compared to the V/F control. (It is not suitable for machines such as grinding machine and wrapping machine which requires less uneven rotation at low speed.)

Use Pr. 89 to adjust the motor speed fluctuation at load fluctuation. (Refer to page 6-36.)

**Selection method of general-purpose magnetic flux vector control**



**Fig. 5-10:** Selection method of general-purpose magnetic flux vector control

### 5.1.8 To exhibit the best performance of the motor performance (offline auto tuning) (Pr. 9, Pr. 71, Pr. 83, Pr. 84, Pr. 96)

The motor performance can be maximized with offline auto tuning.

#### What is offline auto tuning?

When performing advanced magnetic flux vector control or general-purpose magnetic flux vector control, the motor can be run with the optimum operating characteristics by automatically measuring the motor constants (offline auto tuning) even when each motor constants differs, other manufacturer's motor is used, or the wiring length is long.

Pr. No.	Name	Initial Value	Setting Range	Description
<b>9</b>	Electronic thermal O/L relay	Rated inverter current <sup>①</sup>	0–500A	Set the rated motor current.
<b>71</b>	Applied motor	0	0/1/3–6/ 13–16/ 23/24/40/43/ 44/50/53/54	By selecting a standard motor or constant-torque motor, thermal characteristic and motor constants of each motor are set.
<b>83</b>	Motor rated voltage	200V/400V <sup>②</sup>	0–1000V	Set the rated motor voltage (V).
<b>84</b>	Rated motor frequency	50Hz	10–120Hz	Set the rated motor frequency (Hz).
<b>96</b>	Auto tuning setting/status	0	0	Offline auto tuning is not performed
			1	Offline auto tuning is performed without motor running (all motor constants)
			11	For general-purpose magnetic flux vector control Offline auto tuning is performed without motor running (motor constant (R1) only)
			21	Offline auto tuning for V/F control (automatic restart after instantaneous power failure (with frequency search)) (refer to section 6.12.1)

① Refer to appendix A for the rated inverter output current.

② The initial value differs according to the voltage class: 200V/400V

#### NOTES

This function is made valid only when a value other than "9999" is set in Pr. 80 and Pr. 81 and advanced magnetic flux vector control or general-purpose magnetic flux vector control is selected.)

You can copy the offline auto tuning data (motor constants) to another inverter with the PU (FR-PU07).

Even when motors (other manufacturer's motor, SF-JRC, etc.) other than Mitsubishi standard motor, high efficiency motor (SF-JR, SF-HR 0.2kW or more), and Mitsubishi constant-torque motor (SF-JRCA four-pole, SF-HRCA 0.2kW to 15kW) are used or the wiring length is long, using the offline auto tuning function runs the motor with the optimum operating characteristics.

Tuning is enabled even when a load is connected to the motor. As the motor may run slightly, fix the motor securely with a mechanical brake or make sure that there will be no problem in safety if the motor runs (caution is required especially in elevator). Note that tuning performance is unaffected even if the motor runs slightly.

Reading/writing/copy of motor constants tuned by offline auto tuning are enabled.

The offline auto tuning status can be monitored with the operation panel and PU (FR-PU04/FR-PU07).

**Before performing offline auto tuning**

- Make sure advanced magnetic flux vector control or general-purpose magnetic flux vector control (Pr. 80, Pr. 81) is selected (refer to section 5.1.7). (Tuning can be performed even under V/F control selected by turning on X18.)
- A motor should be connected. Note that the motor should be at a stop at a tuning start.
- The motor capacity should be equal to or one rank lower than the inverter capacity. (Note that the capacity should be 0.1kW or more.)
- The maximum frequency is 120Hz.
- A high-slip motor, high-speed motor and special motor cannot be tuned.
- As the motor may run slightly, fix the motor securely with a mechanical brake or make sure that there will be no problem in safety if the motor runs (caution is required especially in elevator). Note that tuning performance is unaffected even if the motor runs slightly.

**Setting**

- ① Select advanced magnetic flux vector control or general-purpose magnetic flux vector control. (Refer to section 5.1.7.)
- ② Set "1" or "11" in Pr. 96 "Auto tuning setting/status".
  - When the setting is "1":  
Tune all motor constants without running the motor.  
When performing advanced magnetic flux vector control, set "1" to perform tuning.  
Depending on the motor type and the inverter capacity it takes approximately 25 to 75s until tuning is completed.  
(Excitation noise is produced during tuning.)
  - When the setting is "11":  
Tune motor constants (R1) only without running the motor.  
When performing general-purpose magnetic flux vector control, set "11" to perform tuning.  
It takes approximately 9s until tuning is completed.
- ③ Set the rated motor current (initial value is rated inverter current) in Pr. 9 "Electronic thermal O/L relay". (Refer to page 5-2.)
- ④ Set the rated voltage of motor (initial value is 200V) in Pr. 83 "Rated motor voltage" and rated motor frequency (initial value is 60Hz) in Pr. 84 "Rated motor frequency".
- ⑤ Set Pr. 71 "Applied motor" according to the motor used.

Motor		Parameter 71 ①	
Mitsubishi	Standard motor, high efficiency motor	SF-JR	3
		SF-JR 4P-1.5kW or less	23
		SF-HR	43
		Others	3
	Constant-torque motor	SF-JRCA 4P	13
		SF-HRCA	53
Others (SF-JRC, etc.)		13	
Other manufacturer's	Standard motor	3	
	Constant-torque motor	13	

**Tab. 5-3:** Motor selection

- ① For other settings of Pr. 71, refer to the section 6.12.2.

**Execution of tuning****CAUTION:**

***Before performing tuning, check the monitor display of the operation panel or parameter unit (FR-PU04/FR-PU07) if the inverter is in the status for tuning. (Refer to Tab. 5-4.) When the start command is turned on under V/F control, the motor starts.***

When performing tuning or PU operation, press the RUN key of the operation panel or the FWD or REV key of the parameter unit (FR-PU04/FR-DU07).

For external operation, turn on the run command (STF signal or STR signal). Tuning starts.

**NOTES**

To force tuning to end, use the MRS or RES signal or press the STOP key of the operation panel. (Turning the start signal (STF signal or STR signal) off also ends tuning.)

During offline auto tuning, only the following I/O signals are valid: (initial value)

- Input terminal <valid signal> MRS, RES, STF, STR
- Output terminal RUN, AM, A, B, C

Note that the progress status of offline auto tuning is output from AM when speed and output frequency are selected.

Since the RUN signal turns on when tuning is started, caution is required especially when a sequence which releases a mechanical brake by the RUN signal has been designed.

When executing offline auto tuning, input the run command after switching on the main circuit power (R/L1, S/L2, T/L3) of the inverter.

Do not perform ON/OFF switching of the second function selection signal (RT) during execution of offline auto tuning. Auto tuning is not executed properly.

### Monitor display during auto tuning

Monitor is displayed on the operation panel and parameter unit (FR-PU04/FR-PU07) during tuning as below. The value displayed corresponds to the value of parameter 96.

	Parameter Unit (FR-PU04/FR-PU07) Display		Operation Panel Indication	
	1	11	1	11
Setting				
Tuning in progress				
Normal end				
Error end (when inverter protective function operation is activated)				

**Tab. 5-4:** Monitor display

#### NOTE

The set frequency monitor displayed during the offline auto tuning is 0Hz.

Reference: Offline auto tuning time (when the initial value is set)

Offline Auto Tuning Setting	Time
Tune all motor constants (Pr. 96 = 1)	Approximately 25 to 75s (Tuning time differs according to the inverter capacity and motor type.)
Tune motor constants (R1) only (Pr. 96 = 11)	Approximately 9s

**Tab. 5-5:** Offline auto tuning time (when the initial value is set)

### Return to the normal operation mode

When offline auto tuning ends, press the STOP/RESET key of the operation panel during PU operation. For external operation, turn off the start signal (STF signal or STR signal) once.

This operation resets the offline auto tuning and the PU's monitor display returns to the normal indication. (Without this operation, next operation cannot be started.)

#### NOTE

Do not change the Pr. 96 setting after completion of tuning (3 or 13). If the Pr. 96 setting is changed, tuning data is made invalid. If the Pr. 96 setting is changed, tuning must be performed again.



If offline auto tuning ended in error (see the table below), motor constants are not set. Perform an inverter reset and restart tuning.

Error Display	Error Cause	Remedy
8	Forced end	Set "1" or "11" in Pr. 96 and perform tuning again.
9	Inverter protective function operation	Make setting again.
91	Current limit (stall prevention) function was activated.	Set "1" in Pr. 156.
92	Converter output voltage reached 75% of rated value.	Check for fluctuation of power supply voltage.
93	- Calculation error - A motor is not connected.	Check the motor wiring and make setting again.

**Tab. 5-6:** Value of parameter 96

When tuning is ended forcibly by pressing the STOP-key or turning off the start signal (STF or STR) during tuning, offline auto tuning does not end normally. (The motor constants have not been set.) Perform an inverter reset and restart tuning.

When using the motor corresponding to the following specifications and conditions, reset Pr. 9 Electronic thermal O/L relay as below after tuning is completed.

- When the rated power specifications of the motor is 200/220V(400/440V) 60Hz, set 1.1 times rated motor current value in Pr. 9.
- When performing motor protection from overheat using a PTC thermistor or motor with temperature detector such as Klixon, set "0" (motor overheat protection by the inverter is invalid) in Pr. 9.

**NOTES**

The motor constants measured once in the offline auto tuning are stored as parameters and their data are held until the offline auto tuning is performed again.

An instantaneous power failure occurring during tuning will result in a tuning error. After power is restored, the inverter goes into the normal operation mode. Therefore, when STF (STR) signal is on, the motor runs in the forward (reverse) rotation.

Any alarm occurring during tuning is handled as in the ordinary mode. Note that if an error retry has been set, retry is ignored.



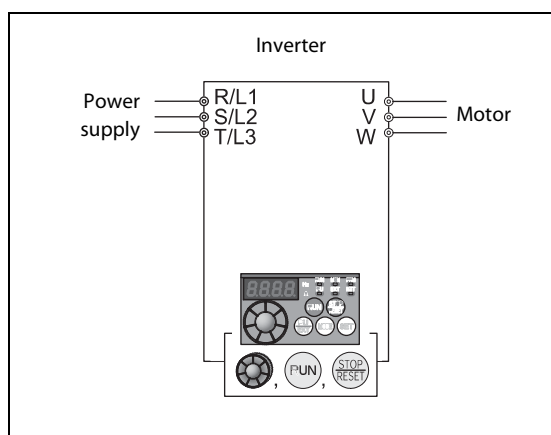
**CAUTION:**

***As the motor may run slightly during offline auto tuning, fix the motor securely with a mechanical brake or make sure that there will be no problem in safety if the motor runs. Note that if the motor runs slightly, tuning performance is unaffected.***

## 5.2 PU operation mode

When operating the inverter via the parameter unit, the motor is started or stopped by the RUN key or the STOP/RESET key on the unit. The rated frequency value can thereby originate from various sources:

- A fixed set value  
Operation at the frequency set in the frequency setting mode of the PU. (Refer to section 5.2.1.)
- Operation using the digital dial as the volume.  
The frequency is set by the digital dial, used here as a potentiometer. (Refer to section 5.2.2.)
- Selection of stored set values by external signals  
Change of frequency with ON/OFF switches connected to terminals. (Refer to section 5.2.3.)
- Setpoint setting made by external analog signals  
Frequency setting with a voltage output device (refer to section 5.2.4) or with a current output device (refer to section 5.2.5).

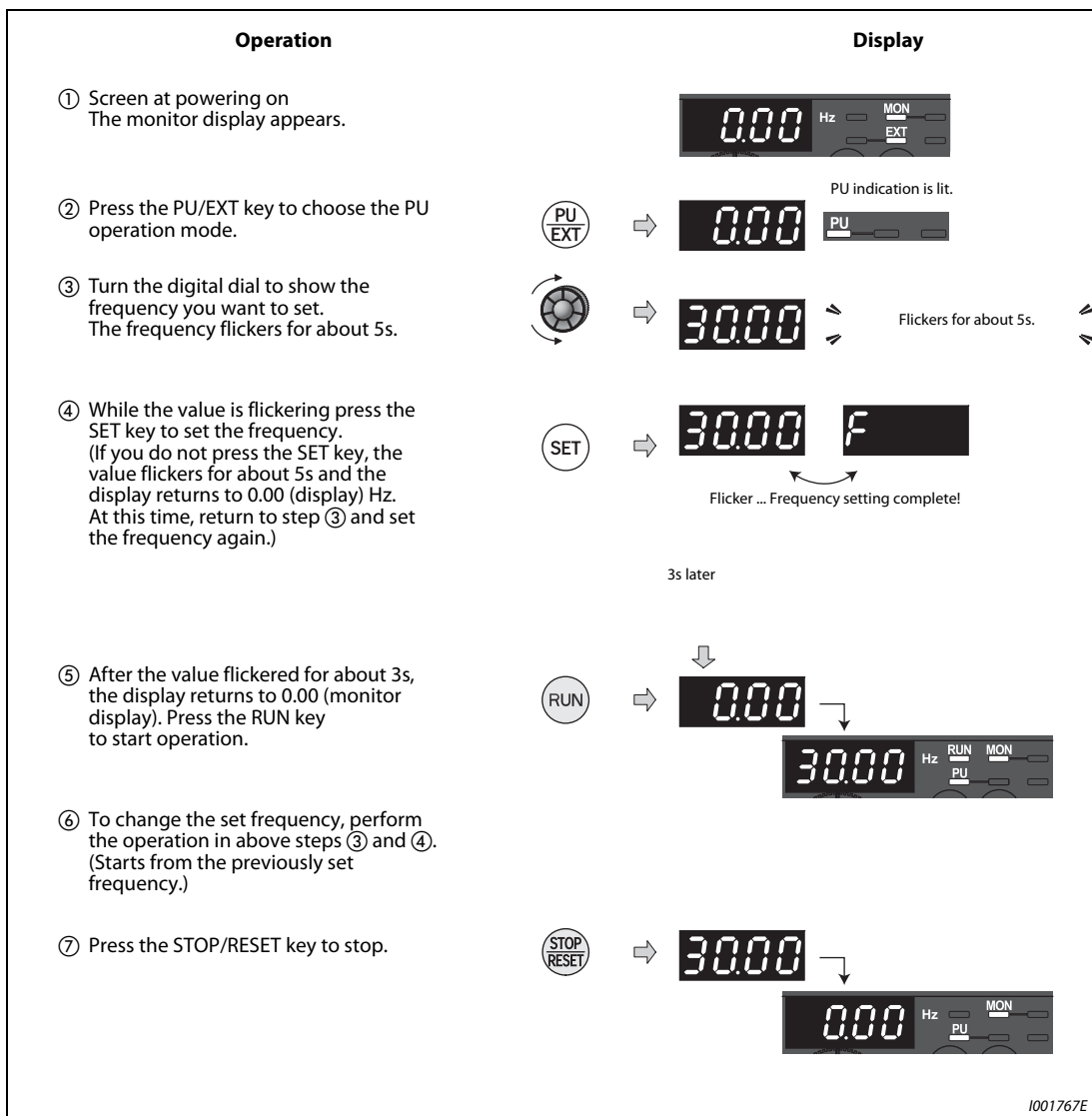


**Fig. 5-11:**  
*PU operation mode*

I001897E

### 5.2.1 Set the set frequency to operate

**Example** ▾ Performing operation at 30Hz



**Fig. 5-12:** Frequency setting with the digital dial



**Possible faults:**

- Operation cannot be performed at the set frequency.
  - Did you press the SET key within 5s after turning the digital dial?
- The frequency does not change by turning the digital dial.
  - Check to see if the operation mode selected is the external operation mode. (Press the PU/EXT key to change to the PU operation mode.)
- Operation does not change to the PU operation mode.
  - Check that "0" (initial value) is set in Pr. 79 "Operation mode selection".
  - Check that the start command is not on.

Change the acceleration time using Pr. 7 (refer to section 5.1.5) and the deceleration time using Pr. 8 (refer to section 5.1.5).

The maximum output frequency is set in Pr. 1. (Refer to section 5.1.4.)

**NOTES**

Press the digital dial to show the set frequency.

The digital dial can also be used like a potentiometer to perform operation. (Refer to section 5.2.2).

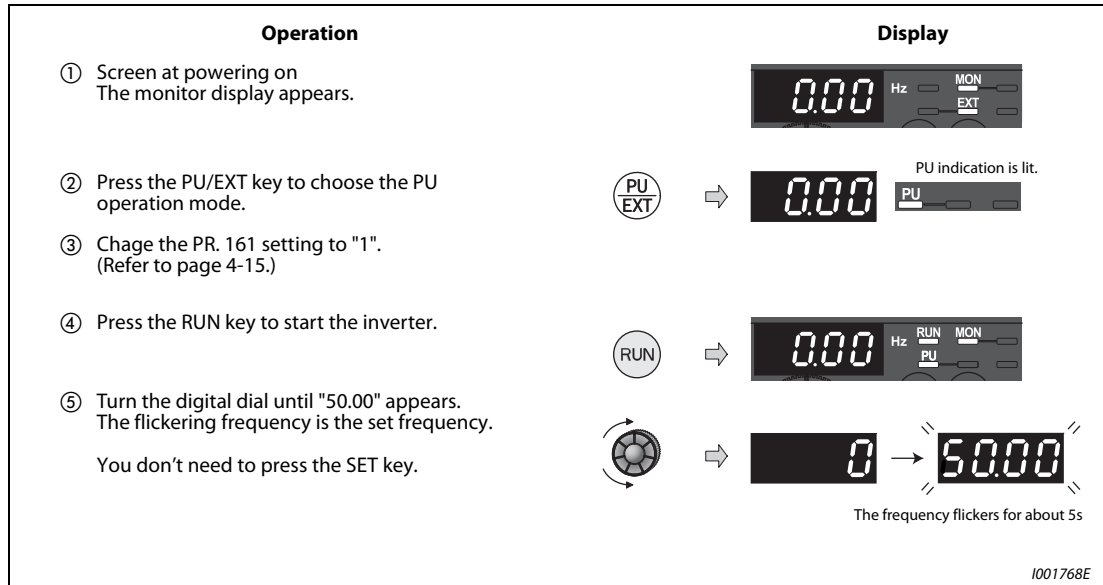
Use Pr. 295 "Magnitude of frequency change setting" to change the frequency setting increments of the digital dial.

## 5.2.2 Use the digital dial like a potentiometer to perform operation

- Set "1" (setting dial potentiometer mode) in Pr. 161 "Frequency setting/key lock operation selection".

### Example ▾

Change the frequency from 0Hz to 50Hz during operation.



**Fig. 5-13:** Use the digital dial like a potentiometer to perform operation

### NOTES

If flickering "50.00" turns to "0.0", the Pr. 161 "Frequency setting/key lock operation selection" setting may not be "1".

Independently of whether the inverter is running or at a stop, the frequency can be set by merely turning the digital dial.

Use Pr. 295 "Magnitude of frequency change setting" to change the frequency setting increments of the digital dial.



### 5.2.3 Use switches to give the frequency command (multi-speed setting)

In frequency inverters of the FR-E700SC series up to 15 frequency setpoints (and thus rpms and speeds) can be selected via the RH, RM, RL and REX terminals. Manually activated switches or relay outputs of a programmable logic controller (PLC), for example, can be used to select a frequency.

- Pr. 79 "Operation mode selection" must be set to "4" (external/PU combined operation mode 2).
- Use the RUN key to give a start command.
- The initial values of the terminals RH, RM, RL are 50Hz, 30Hz, and 10Hz. (Refer to section 5.3.2 to change frequencies using Pr. 4, Pr. 5 and Pr. 6.)
- Three setpoints can be selected by separately switching on the signals to the RH, RM and RL terminals. The selection of the fourth to the seventh fixed frequency is possible through the combination of signals of these inputs (see diagram below). The setpoints are determined by parameters 24 to 27. The REX terminal is used to select the 8th to the 15th rpm/speed (section 6.6.1).

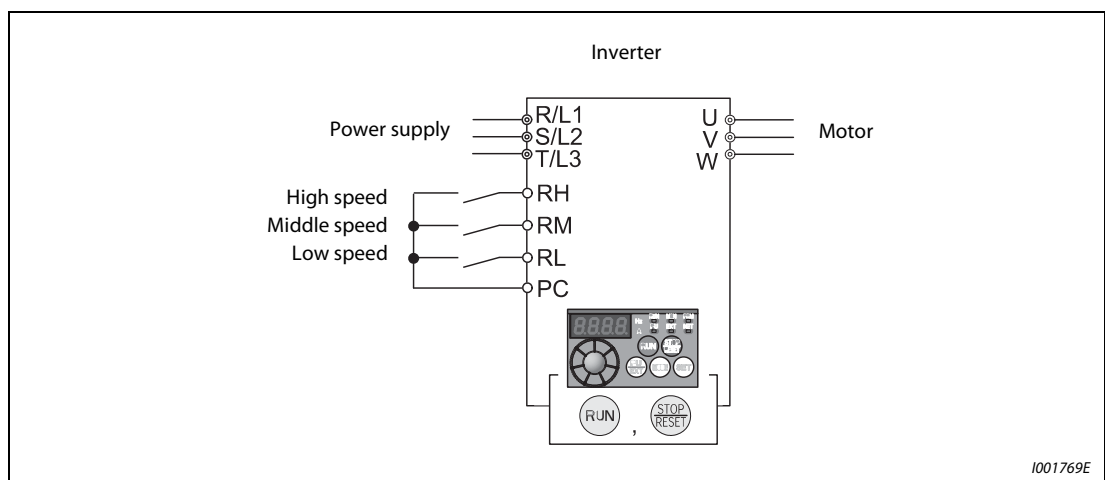


Fig. 5-14: Use switches to give the frequency command

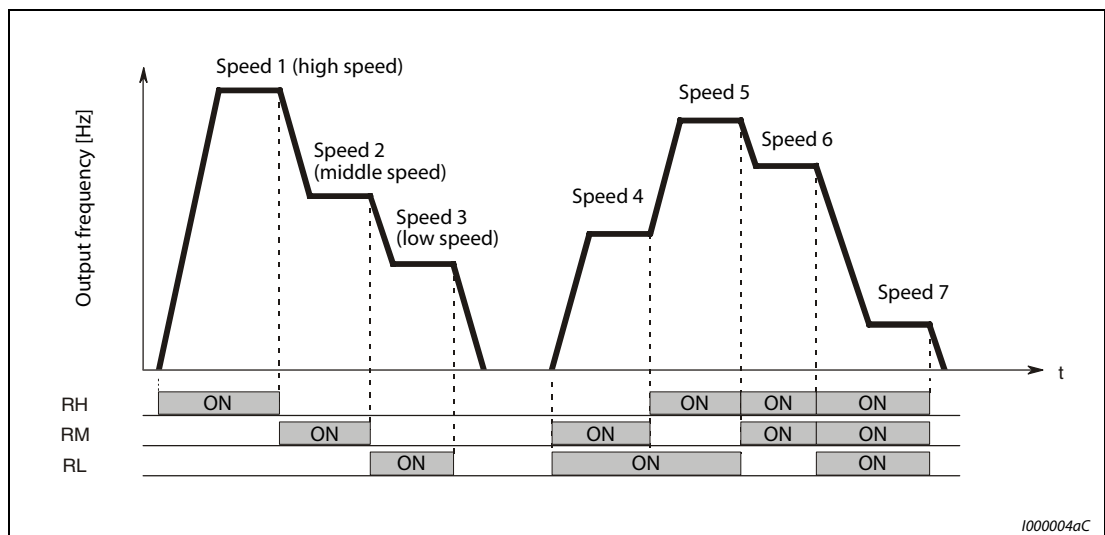
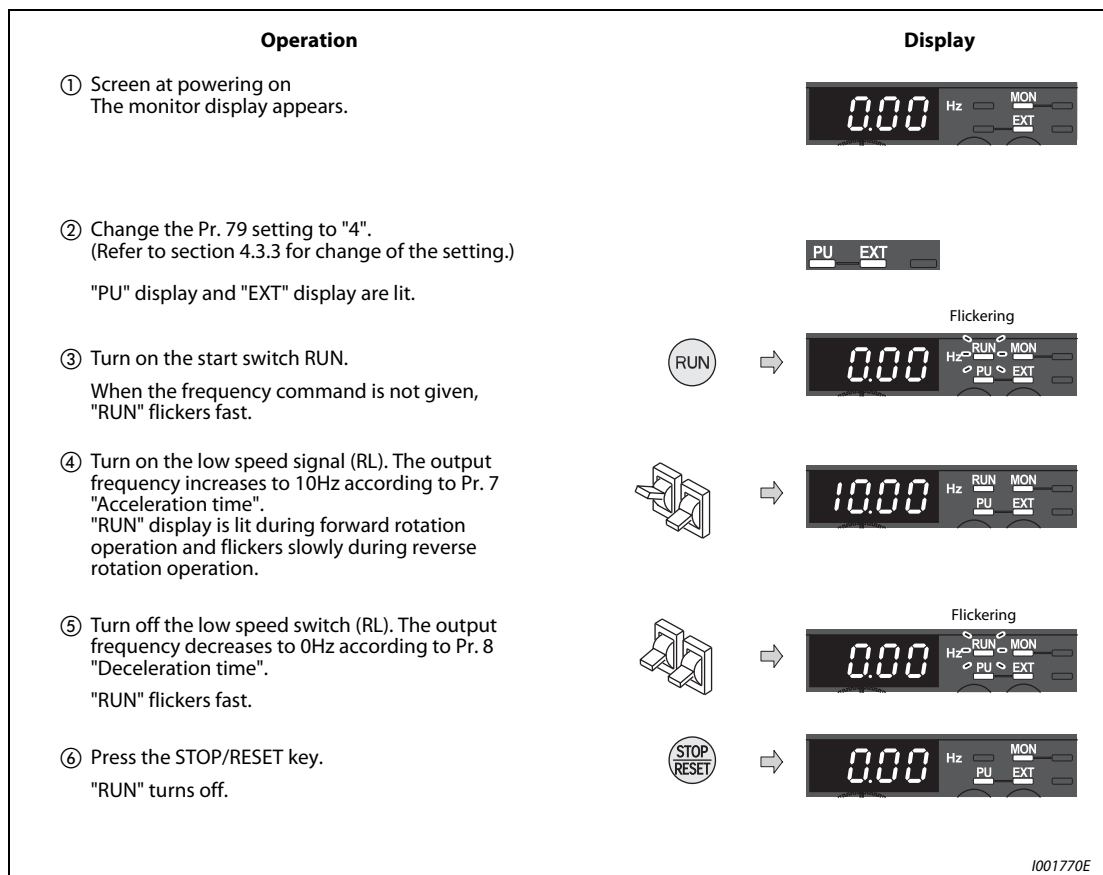


Fig. 5-15: Multi-speed selection by external terminals



**Fig. 5-16:** Operate the inverter by using multi-speed setting

**Possible faults:**

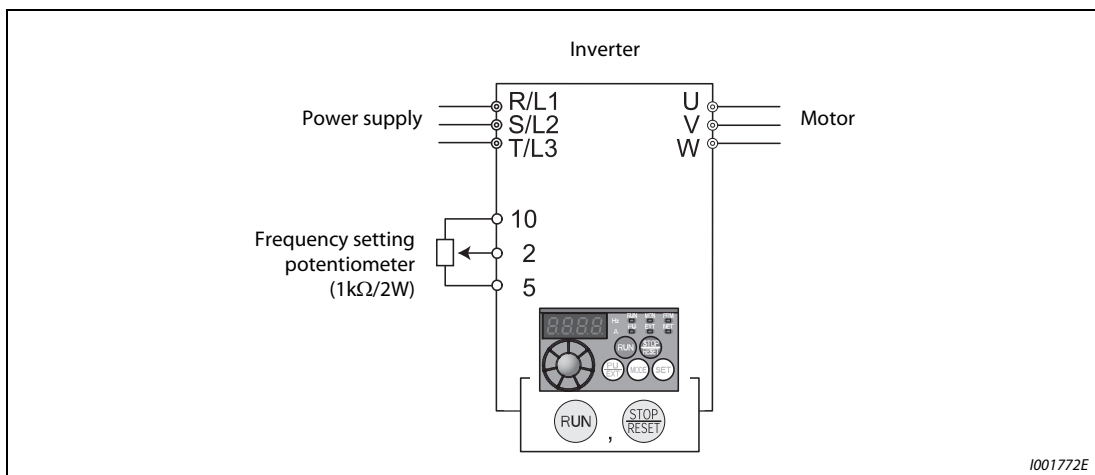
- 50Hz for the RH, 30Hz for the RL and 10Hz for the RL are not output when they are turned on.
  - Check for the setting of Pr. 4, Pr. 5, and Pr. 6 once again.
  - Check for the setting of Pr. 1 "Maximum frequency" and Pr. 2 "Minimum frequency" once again. (Refer to section 5.1.4.)
  - Check that Pr. 180 "RL terminal function selection" = "0", Pr. 181 "RM terminal function selection" = "1", Pr. 182 "RH terminal function selection" = "2" and Pr. 59 "Remote function selection" = "0" (all are initial values).
- RUN lamp is not lit.
  - Check that wiring is correct.
  - Check for the Pr. 79 setting once again. (Pr. 79 must be set to "4".) (Refer to section 5.1.6.)

**NOTE**

Refer to section 5.3.2 to change the running frequency at each terminal in Pr. 4 "Multi-speed setting (highspeed)", Pr. 5 "Multi-speed setting (middle speed)", and Pr. 6 "Multi-speed setting (low speed)".

### 5.2.4 Perform frequency setting by analog voltage input

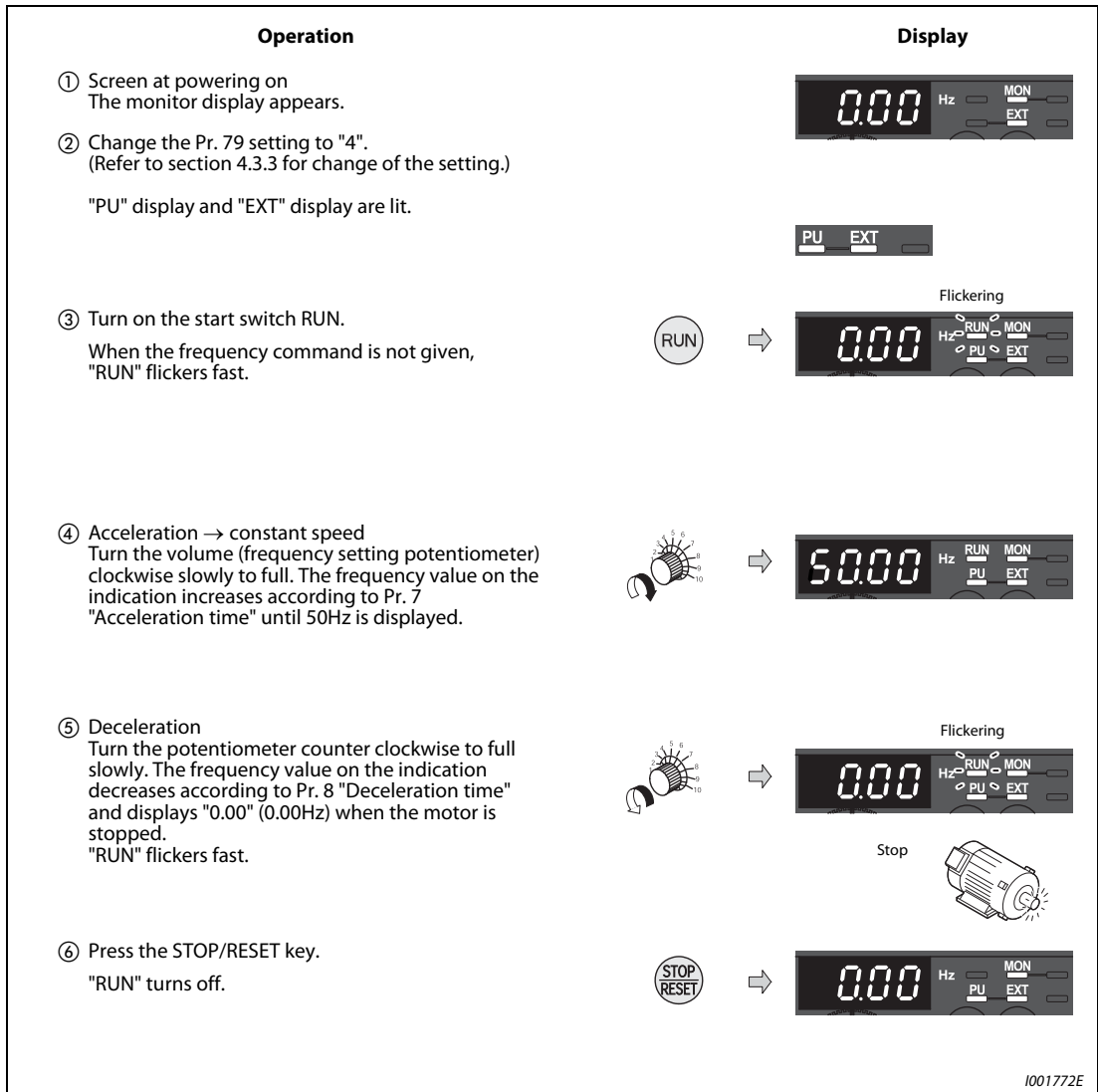
In this type of setpoint selection a potentiometer is connected to the frequency inverter. The potentiometer is supplied with a voltage of 5V through terminal 10 of the frequency inverter.



**Fig. 5-17:** Frequency setting by analog voltage input

- Pr. 79 "Operation mode selection" must be set to "4" (external/PU combined operation mode 2).
- Use the RUN key to give a start command.





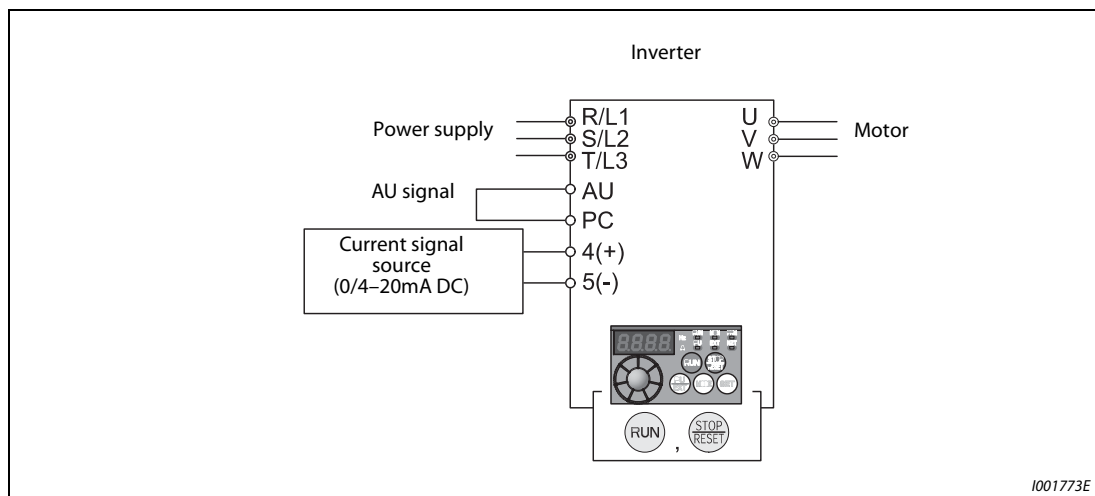
**Fig. 5-18:** Operate the inverter by using the analog voltage input

**NOTES**

- Change the frequency (50Hz) of the maximum value of potentiometer (at 5V) by adjusting the frequency in Pr. 125 "Terminal 2 frequency setting gain frequency". (Refer to section 5.3.4.)
- Change the frequency (0Hz) of the minimum value of potentiometer (at 0V) by adjusting the frequency in calibration parameter C2 "Terminal 2 frequency setting bias frequency". (Refer to section 6.16.3.)

### 5.2.5 Perform frequency setting by analog current input

An external current source is connection to the frequency inverter for setpoint default setting.

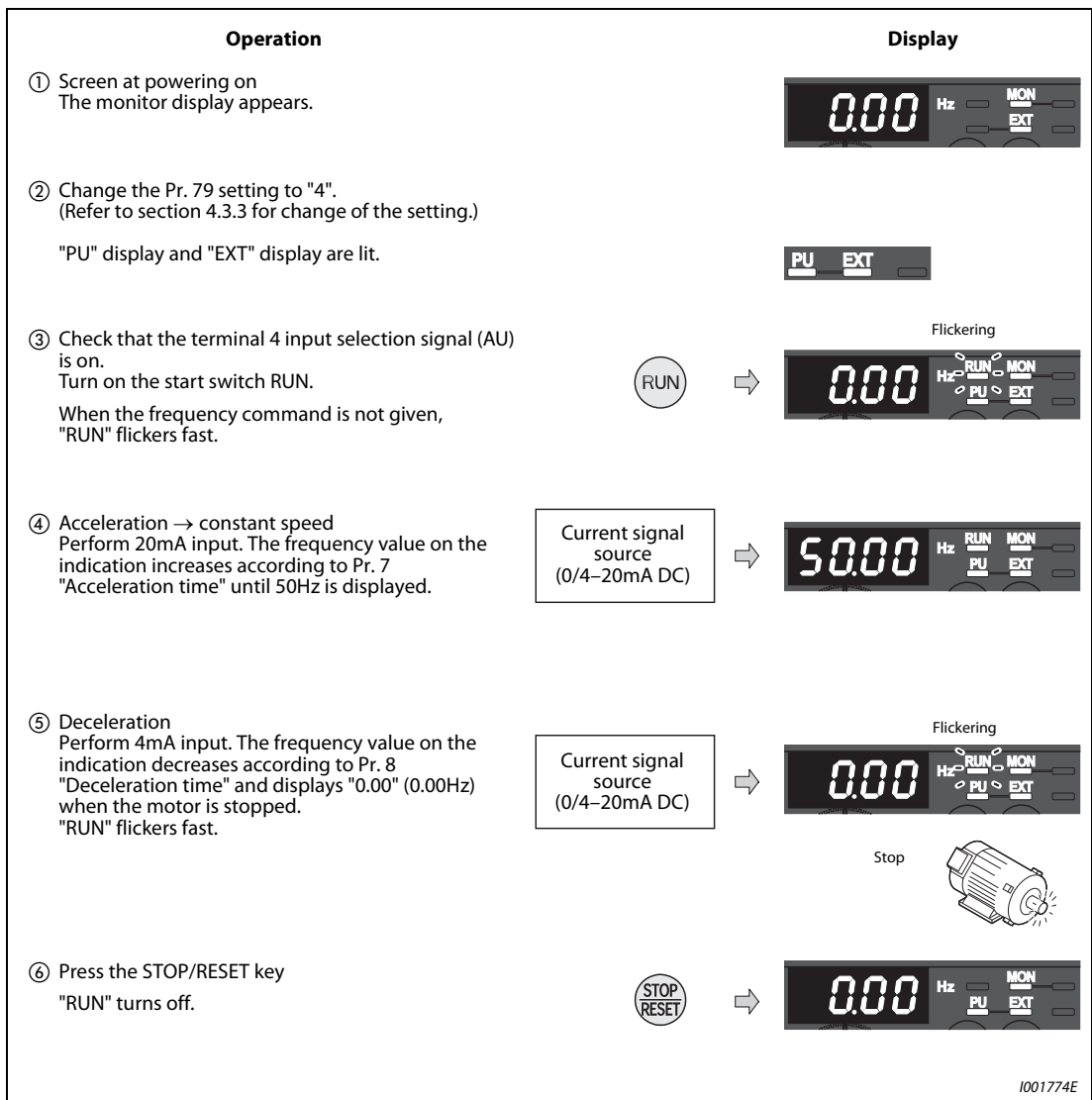


**Fig. 5-19:** Frequency setting by analog current input

- Pr. 79 "Operation mode selection" must be set to "4" (external/PU combined operation mode 2).
- Turn the AU signal on.
- Use the RUN key to give a start command.

**NOTE**

For the analog current input (0/4 to 20mA) to become effective for setpoint default setting, the AU signal on the AU terminal must be activated. This is done, for example, by means of a bridge as shown in Fig. 5-19.



**Fig. 5-20:** Operate the inverter by using the analog current input

**NOTES**

One of Pr. 178 to Pr. 184 "Input terminal function selection" must be set to "4" (AU signal) (initial value). (Refer to section 6.10.1.)

Change the frequency (50Hz) at the maximum value of potentiometer (at 20mA) by adjusting the frequency in Pr. 126 "Terminal 4 frequency setting gain frequency". (Refer to section 5.3.6).

Change the frequency (0Hz) at the minimum value of potentiometer (at 4mA) by adjusting the frequency in calibration parameter C5 "Terminal 4 frequency setting bias frequency". (Refer to section 6.16.3.)

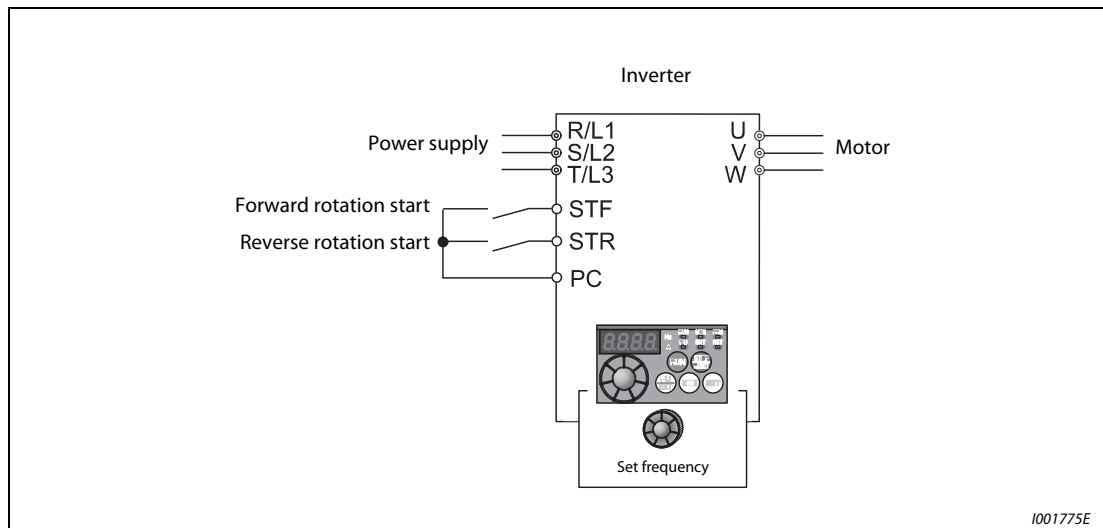
## 5.3 External operation

When operating the inverter via external signals, the motor is started or stopped by external signals connected to terminals STF and STR of the inverter. Just as when operating using the parameter unit, the set frequency value may originate from various sources:

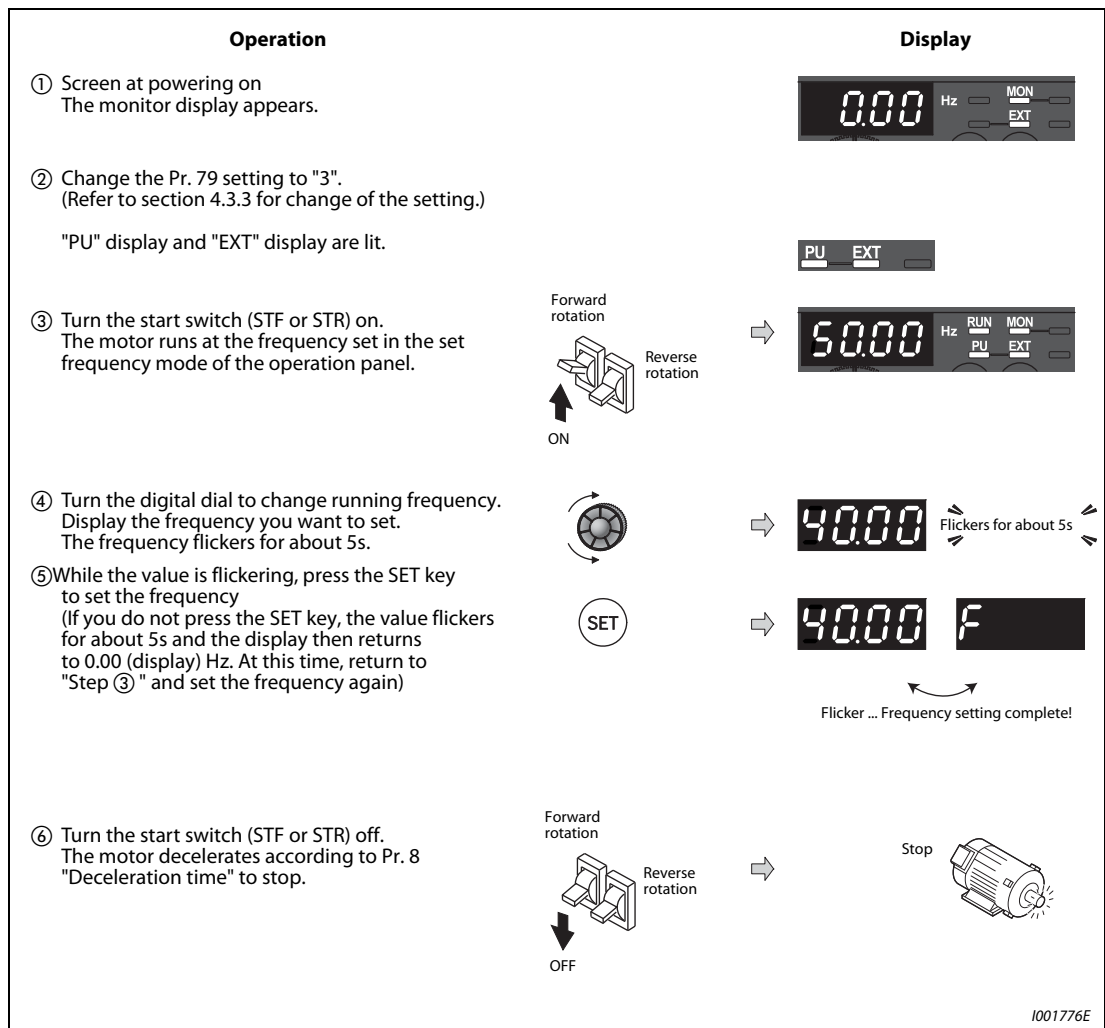
- A fixed set value  
Operation at the frequency set in the frequency setting mode of the PU. (Refer to section 5.3.1.)
- Selection of stored set values by external signals  
Give a frequency command by switch (multi-speed setting). (Refer to section 5.3.2).
- Setpoint setting made by external analog signals  
Frequency setting with a voltage output device (refer to section 5.3.3) or with a current output device (refer to section 5.3.4)

### 5.3.1 Use the set frequency set by PU (Pr. 79 = 3)

- Set "3" in Pr. 79 (External/PU combined operation mode 1).
- Switch terminal STF (STR)-PC on to give a start command.
- Refer to section 5.2.1 for the set frequency by the operation panel.



**Fig. 5-21:** External operation



**Fig. 5-22:** Operate the inverter by using external signals

**NOTES**

Pr. 178 "STF terminal function selection" must be set to "60" (or Pr. 179 "STR terminal function selection" must be set to "61"). (All are initial values.)

When Pr. 79 "Operation mode selection" is set to "3", multi-speed operation is also made valid. (Refer to section 5.3.2.)

**Possible faults:**

- Pressing the STOP/RESET key of the operation panel changed the display ↔ .
- Turn the start switch (STF or STR) off.
- The display can be reset by STOP/RESET.

### 5.3.2 Use switches to give a start command and a frequency command (multi-speed setting) (Pr. 4 to Pr. 6)

Up to 15 set frequency values can be selected via terminals RH, RM, RL and REX of the frequency inverter. Manually operated switches or relay outputs of a programmable logic controller (PLC), for instance, can be used.

- Start command by terminal STF (STR)-PC.
- Frequency command by terminal RH, RM, RL and STR-PC.
- "EXT" must be lit. When "PU" is lit, switch it to "EXT" with the PU/EXT key.
- The initial values of the terminals RH, RM, RL are 50Hz, 30Hz, and 10Hz. Use Pr. 4, Pr. 5 and Pr. 6 to change.
- Three set values can be selected by separately switching on the signals at terminals RH, RM and RL. The fourth to seventh fixed frequencies are selected by combining the signals from these inputs (see figure below). The set values are determined by parameters 24 to 27. The REX terminal is used to select the 8th to 15th speed (refer to section. (Refer to section 6.6.1.)

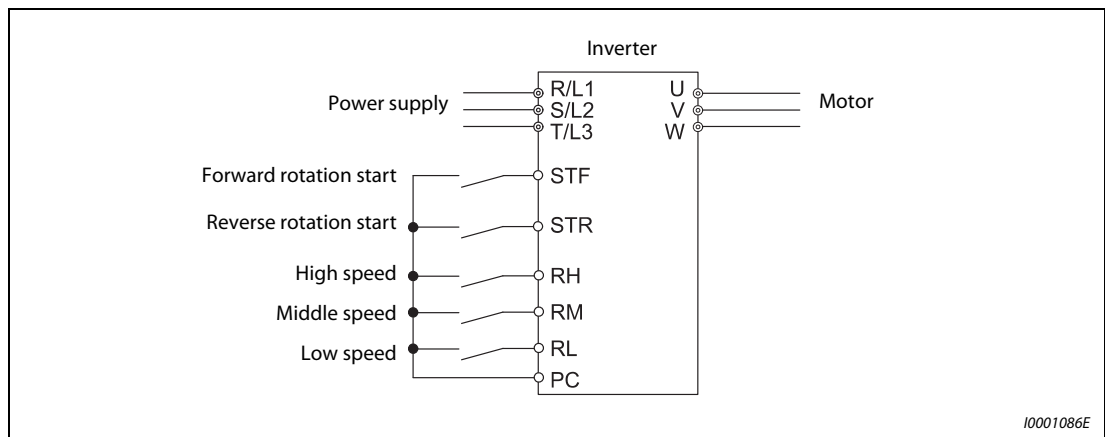


Fig. 5-23: Frequency and start command by switches

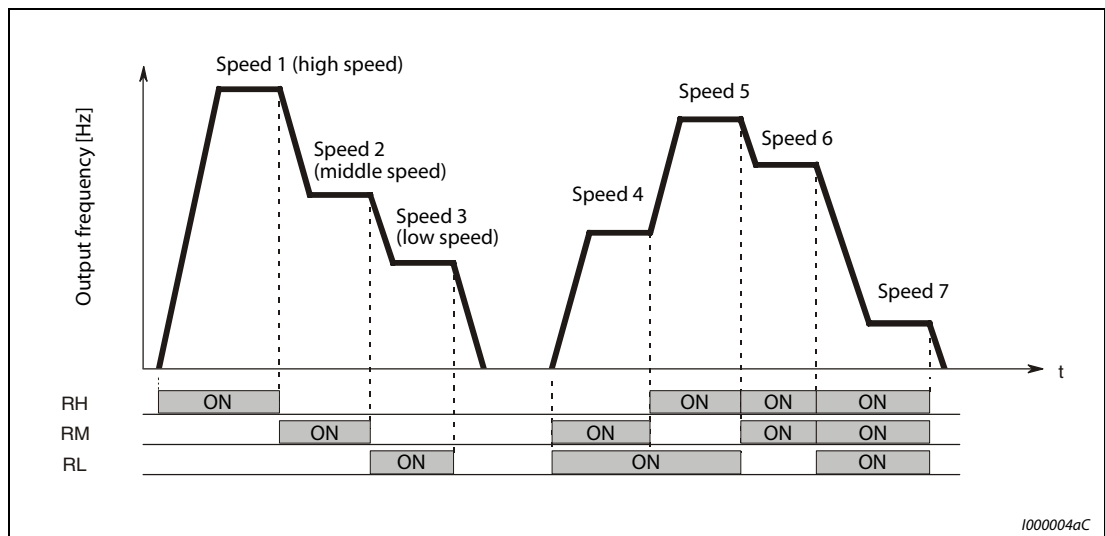
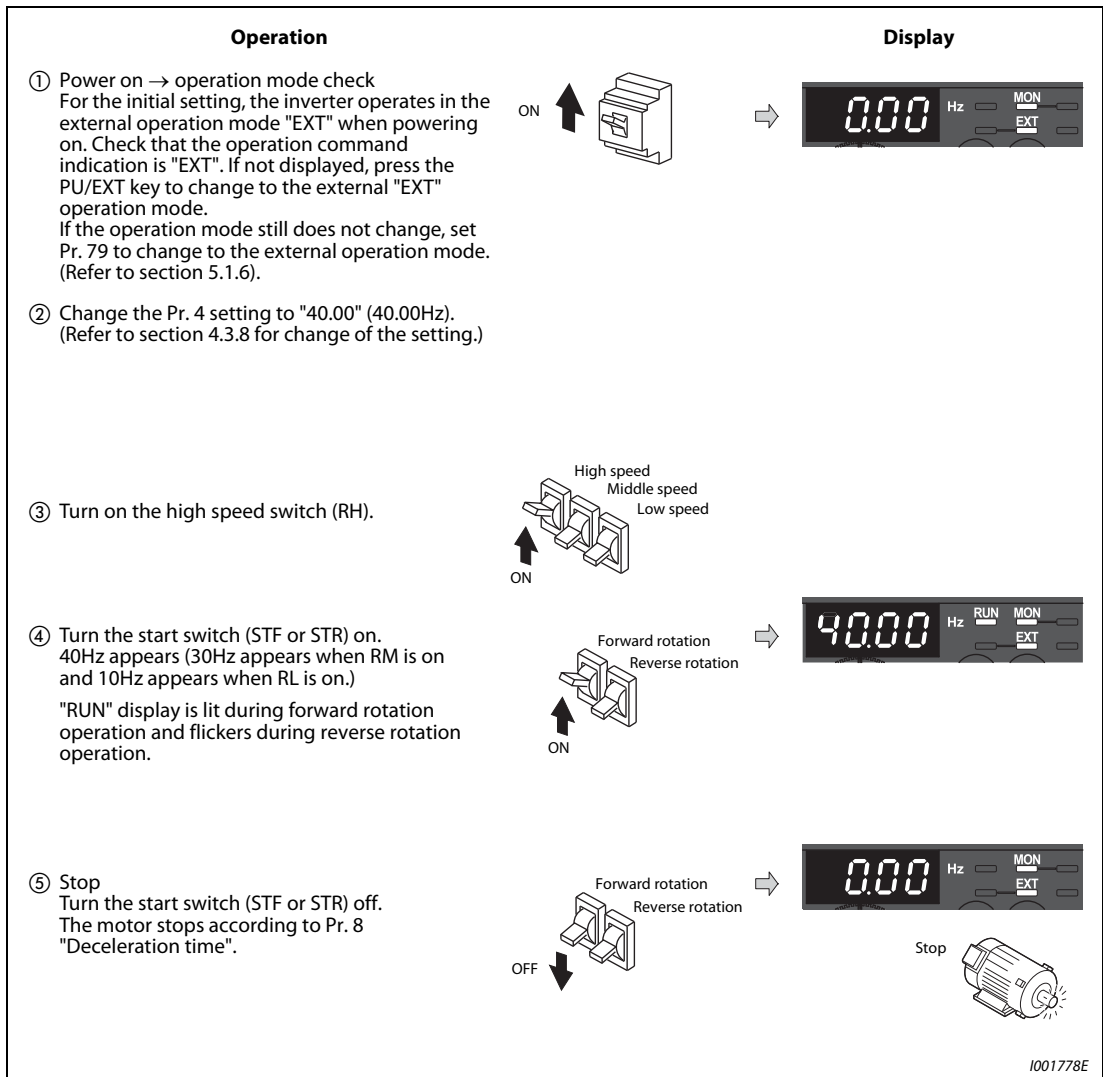


Fig. 5-24: Multi-speed selection by external terminals

**Example** ▽

Set "40Hz" in Pr. 4 "Multi-speed setting (high speed)" and turn on terminals RH and STF (STR)-PC to operate.



**Fig. 5-25:** Operate the inverter by using external signals



**Possible faults:**

- The EXT lamp is not lit even when the PU/EXT key is pressed.
  - Switchover of the operation mode with is valid when Pr. 79 = 0 (initial value).
- 50Hz, 30Hz and 10Hz are not output from RH, RM and RL respectively when they are turned on.
  - Check for the setting of Pr. 4, Pr. 5, and Pr. 6 once again.
  - Check for the setting of Pr. 1 "Maximum frequency" and Pr. 2 "Minimum frequency" once again. (Refer to section 5.1.4.)
  - Check for the Pr. 79 setting once again. (Pr. 79 must be set to "0" or "2".) (Refer to section 5.1.6.)
  - Check that Pr. 180 "RL terminal function selection" = "0", Pr. 181 "RM terminal function selection" = "1", Pr. 182 "RH terminal function selection" = "2" and Pr. 59 "Remote function selection" = "0". (All are initial values.)
- The RUN lamp is not lit.
  - Check that wiring is correct.
  - Check that "60" is set in Pr. 178 "STF terminal function selection" (or "61" is set in Pr. 179 "STR terminal function selection"). (All are initial values.)

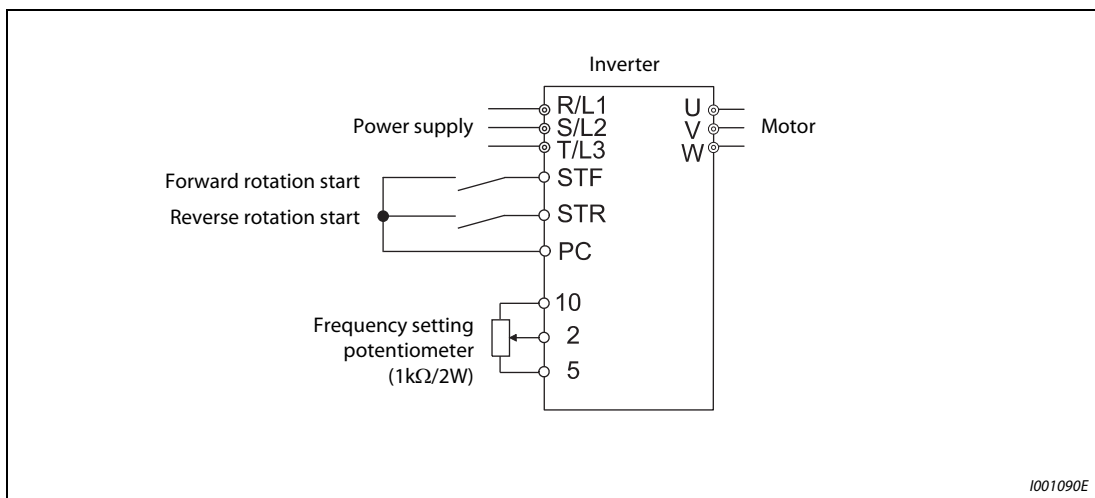
**NOTE**

External operation is fixed by setting "2" (external operation mode) in Pr. 79 "Operation mode selection" when you do not want to take time pressing the PU/EXT key or when you want to use the current start command and frequency command.

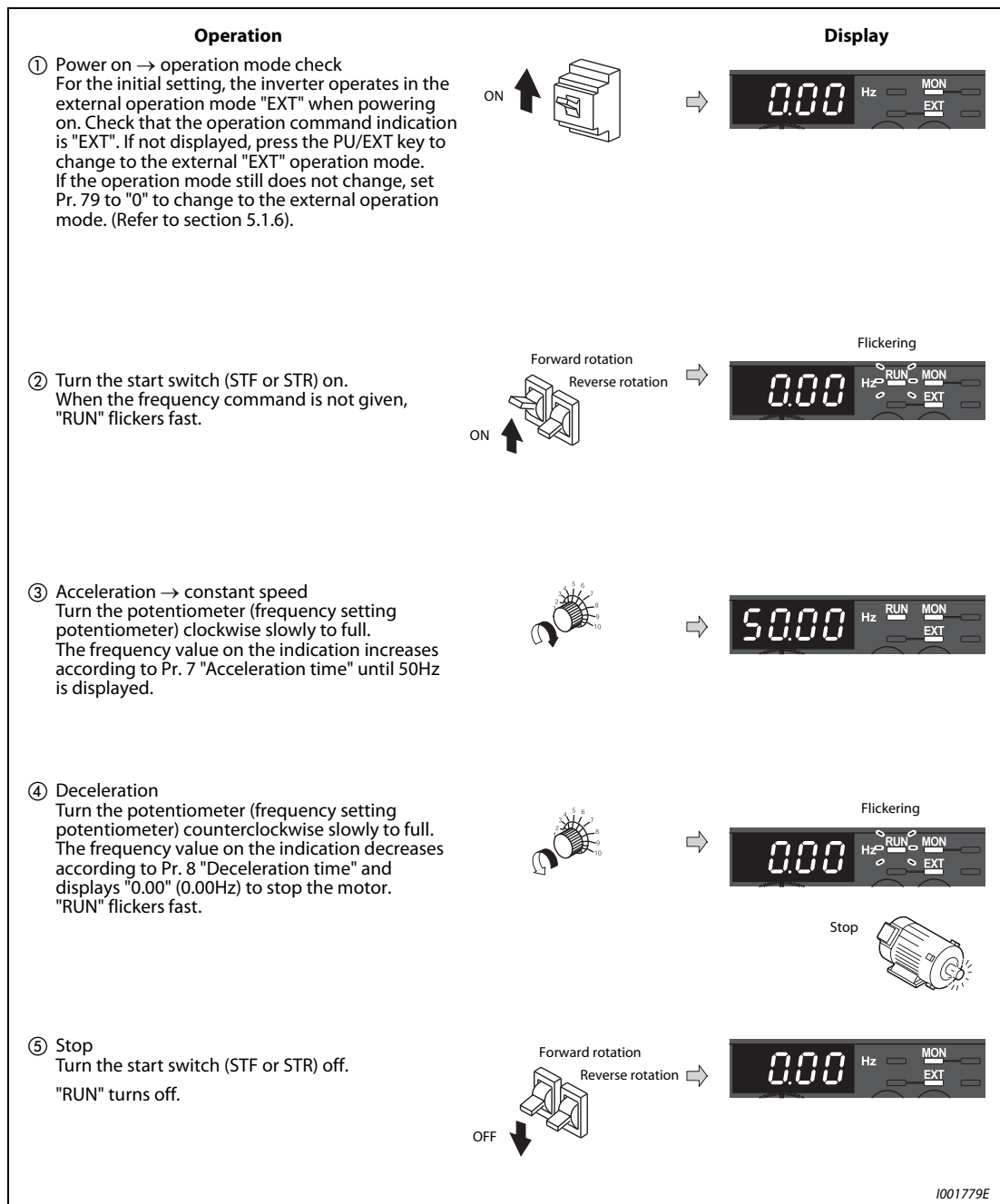


### 5.3.3 Perform frequency setting by analog voltage input

The frequency setting potentiometer is supplied with 5V of power from the inverter (terminal 10).



**Fig. 5-26:** Frequency setting by analog voltage input



**Fig. 5-27:** Operate the inverter by using the analog voltage input

**NOTES**

When you want to operate in the external operation mode always at powering on or when you want to save the trouble of input, set "2" (external operation mode) in Pr. 79 "Operation mode selection" to choose external operation mode always.

Pr. 178 "STF terminal function selection" must be set to "60" (or Pr. 179 "STR terminal function selection" must be set to "61"). (All are initial values.)

Change the frequency (0Hz) of the minimum value of potentiometer (at 0V) by adjusting the frequency in calibration parameter C2 "Terminal 2 frequency setting bias frequency". (Refer to section 6.16.3.)

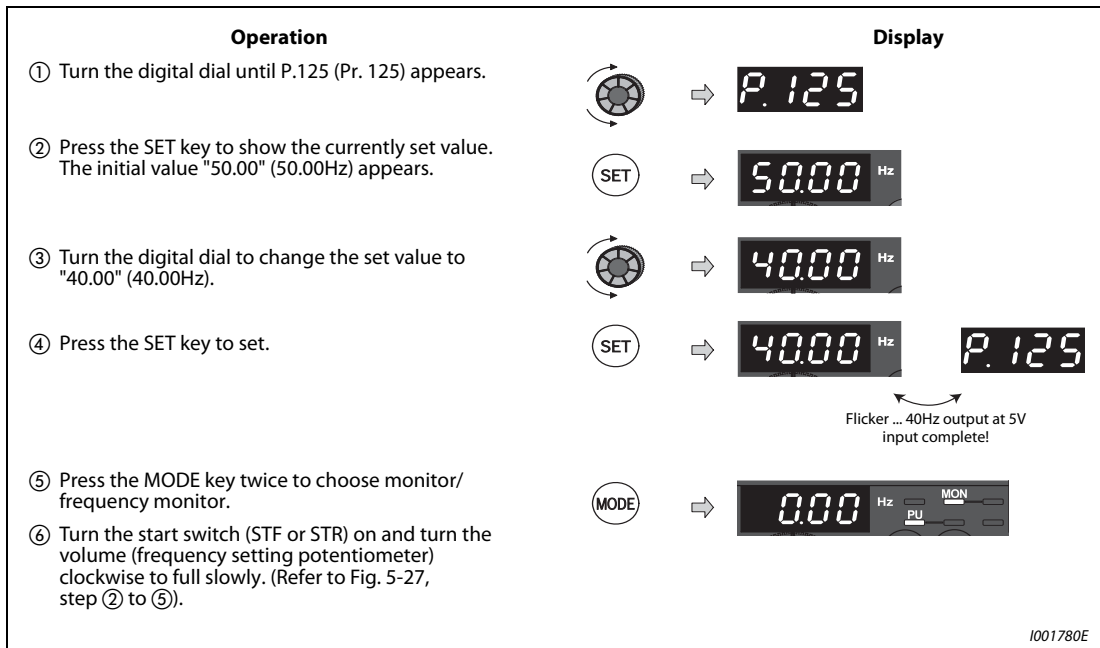
**Possible faults:**

- The motor will not rotate.
  - Check that the EXT lamp is lit. The external operation mode is valid when Pr. 79 = 0 (initial value). Use the PU/EXT key to change into the external operation mode.
  - Check that wiring is correct.

### 5.3.4 Change the frequency (40Hz) of the maximum value of potentiometer (at 5V)

**Example** ▾

The frequency of the maximum analog voltage of the potentiometer (at 5V) has to be changed from the initial setting of 50Hz to 40Hz. Set 40Hz in Pr. 125.

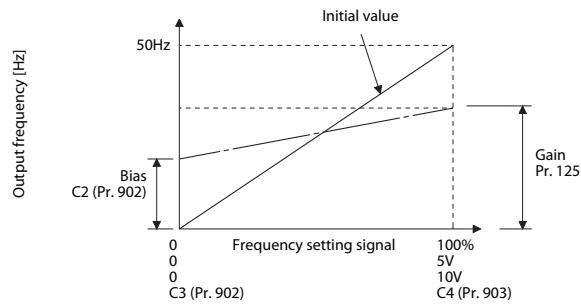


**Fig. 5-28:** Change the frequency of the maximum analog value



**NOTES**

Set the frequency at 0V using calibration parameter C2.

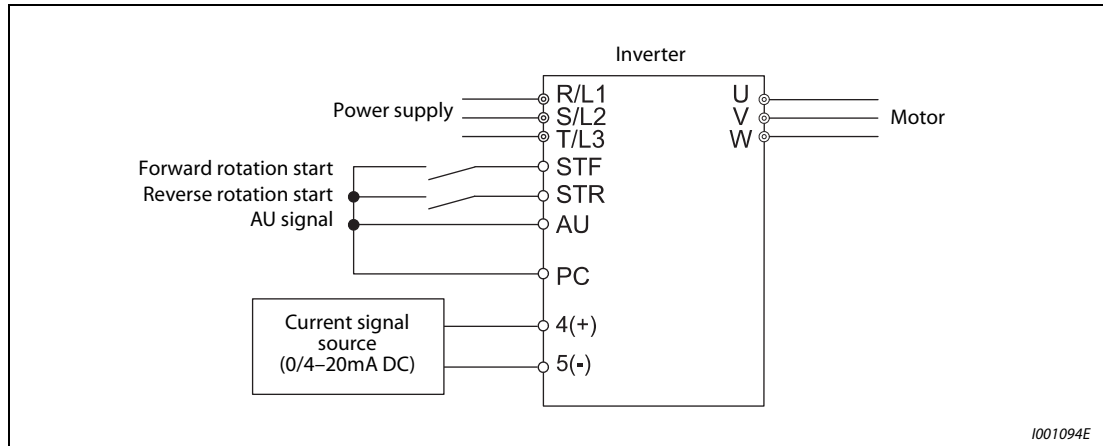


As other adjustment methods of frequency setting voltage gain, there are methods to adjust with a voltage applied to across terminals 2-5 and adjust at any point without a voltage applied. (Refer to section 6.16.3 for the setting method of calibration parameter C4.)

### 5.3.5 Perform frequency setting by analog current input

An external current source is connection to the frequency inverter for setpoint default setting.

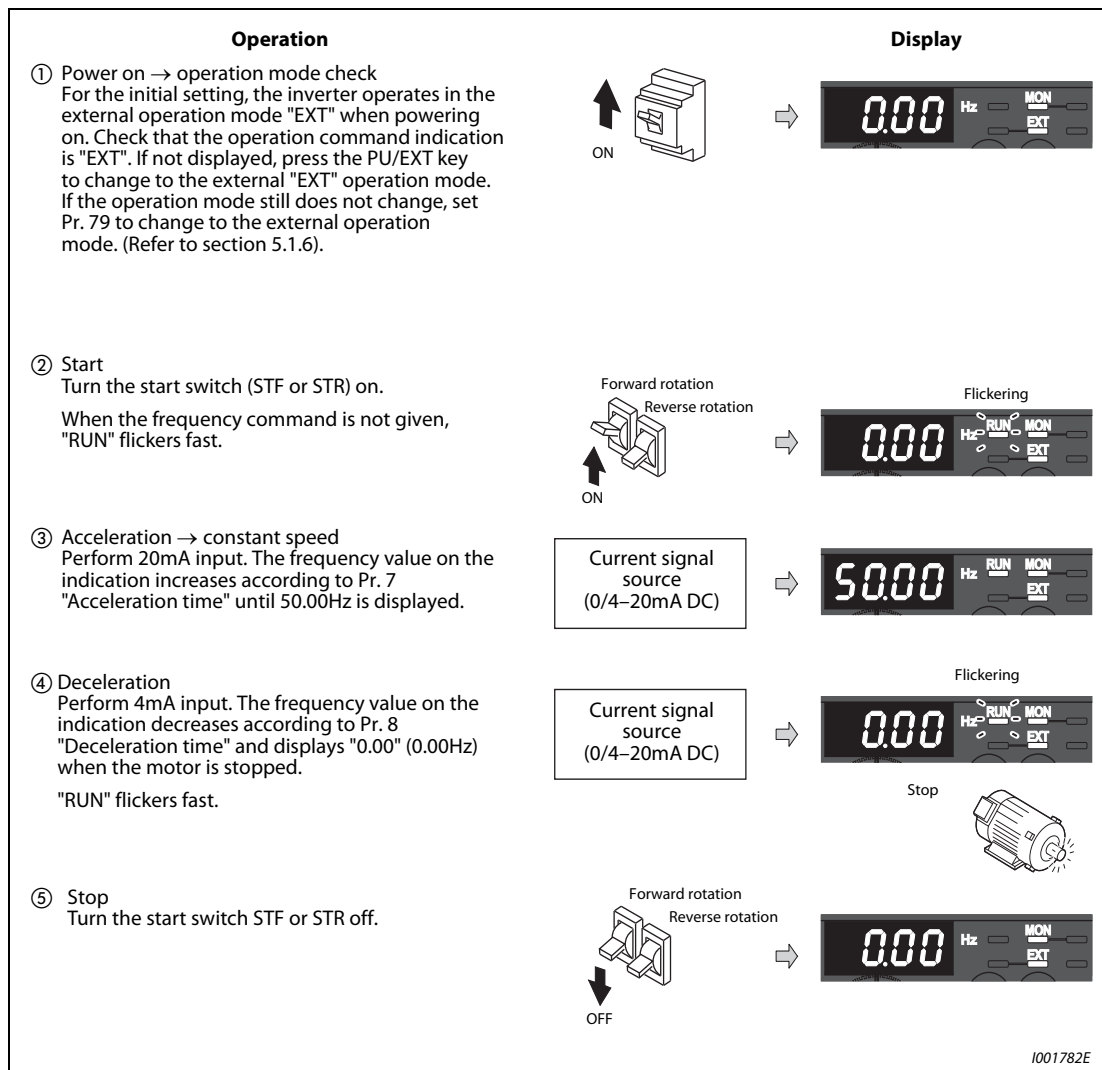
- Switch terminal STF (STR)-PC on to give a start command.
- Turn the AU signal on.
- Pr. 79 "Operation mode selection" must be set to "2" (external operation mode).



**Fig. 5-29:** Frequency setting by analog current input

#### NOTE

For the analog current input (0/4 to 20mA) to become effective for setpoint default setting, the AU signal on the AU terminal must be activated. This is done, for example, by means of a bridge as shown in Fig. 5-29.



**Fig. 5-30:** Operate the inverter by using the analog current input

**NOTE**

One of Pr. 178 to Pr. 184 "AU terminal function selection" must be set to "4" (AU signal) (initial value). (Refer to section 6.10.1.)

**Possible faults:**

- The motor will not rotate.
  - Check that the EXT lamp is lit. The external operation mode is valid when Pr. 79 = 0 (initial value) or 2. Use the PU/EXT key to change into the external operation mode.
  - The AU signal must be turned on.
  - Check that wiring is correct.

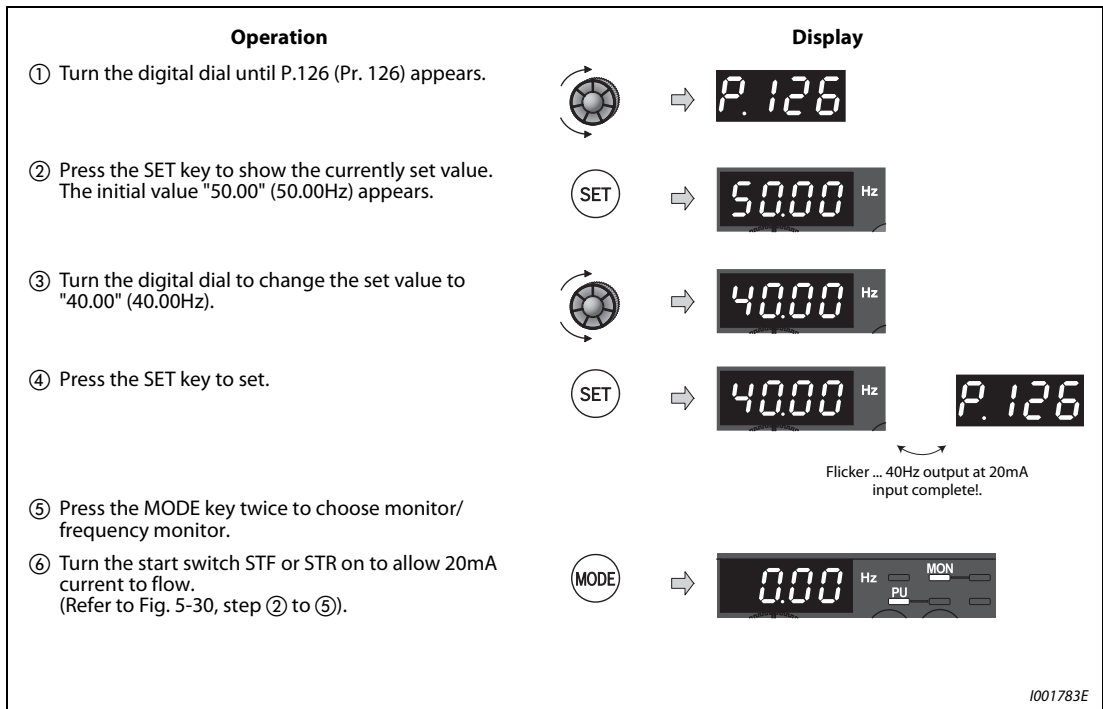
**NOTE**

Change the frequency (0Hz) of the minimum value of potentiometer (at 4mA) by adjusting the frequency in calibration parameter C5 "Terminal 4 frequency setting bias frequency". (Refer to section 6.16.3.)

### 5.3.6 Change the frequency (40Hz) of the maximum value of potentiometer (at 20mA)

**Example** ▾

The frequency of the maximum analog current of the potentiometer (at 20mA) has to be changed from the initial setting of 50Hz to 40Hz. Set 40Hz in Pr. 126.

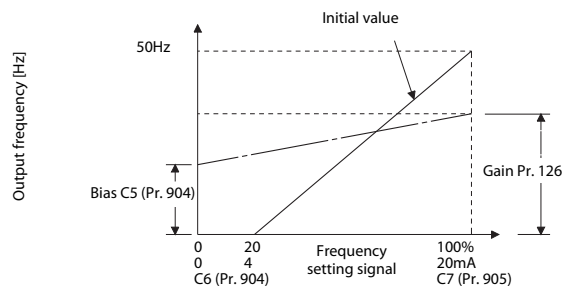


**Fig. 5-31:** Change the frequency of the maximum analog value



**NOTES**

Set the frequency at 4mA using calibration parameter C5.



As other adjustment methods of frequency setting current gain, there are methods to adjust with a current flowing in the terminals 4-5 and adjust at any point without a current flowing. (Refer to section 6.16.3 for the setting method of calibration parameter C7.)

When performing a high speed operation at 120Hz or more, setting of Pr. 18 "High speed maximum frequency" is necessary. (Refer to section 6.4.1.)





# 6 Parameter


## 6.1 Parameter overview

For simple variable-speed operation of the inverter, the initial setting of the parameters may be used as they are. Set the necessary parameters to meet the load and operational specifications. Parameter setting, change and check can be made from the operation panel.

⊙ indicates simple mode parameters (initially set to extended mode).


The abbreviations in the explanations below are as follows:

 ..... V/F control


 ..... Advanced magnetic flux vector control

 ..... General-purpose magnetic-flux vector control

Parameters without any indication are valid for all control. The half-tone screened parameters allow its setting to be changed during operation even if "0" (initial value) is set in Pr. 77 "Parameter write selection".

Function	Parameter		Name	Increments	Initial Value	Setting Range	Description	Parameter-Copy	Parameter-Clear	All Parameter-Clear	Refer to Page	
	Related Parameters	✓: Enabled —: Disabled										
Manual torque boost 		0	⊙	Torque boost	0.1%	6/4/3/2 *	0–30%	Set the output voltage at 0Hz as % * Initial values differ according to the inverter capacity: FR-E720S-050SC or less, FR-E740-026SC or less/ FR-E720S-080SC and 110SC, FR-E740-040SC to 095SC/ FR-E740-120SC and 170SC/ FR-E740-230SC and 300SC	✓	✓	✓	6-33
	46			Second torque boost	0.1%	9999	0–30%	Set the torque boost when the RT signal is on.	✓	✓	✓	
								9999	Without second torque boost			
Minimum/maximum frequency	1	⊙	Maximum frequency	0.01Hz	120Hz	0–120Hz	Set the upper limit of the output frequency	✓	✓	✓	6-50	
			2	Minimum frequency	0.01Hz	0Hz	0–120Hz	Set the lower limit of the output frequency	✓	✓		✓
				18	High speed maximum frequency	0.01Hz	120Hz	120–400Hz	Set when performing operation at 120Hz or more	✓		✓


**Tab.6-1:** Parameter overview (1)

Function	Parameter		Name	Increments	Initial Value	Setting Range	Description	Parameter-Copy	Parameter-Clear	All Parameter-Clear	Refer to Page	
	Related Parameters											
 Base frequency, voltage	3	⊙	Base frequency	0.01Hz	50Hz	0–400Hz	Set the frequency when the motor rated torque is generated. (50Hz/60Hz)	✓	✓	✓	6-54	
		19		Base frequency voltage	0.1V	8888	0–1000V	Maximum inverter output voltage	✓	✓		✓
							8888	95% of power supply voltage				
			9999	Same as power supply voltage								
	47		Second V/F (base frequency)	0.01Hz	9999	0–400Hz	Set the base frequency when the RT signal is on.	✓	✓	✓		
		9999				Second V/F is invalid.						
Multi-speed setting operation	4	⊙	Multi-speed setting (high speed)	0.01Hz	50Hz	0–400Hz	Set frequency when the RH signal is on.	✓	✓	✓	6-58	
		5	⊙	Multi-speed setting (middle speed)	0.01Hz	30Hz	0–400Hz	Set frequency when the RM signal is on.	✓	✓		✓
			6	⊙	Multi-speed setting (low speed)	0.01Hz	10Hz	0–400Hz	Set frequency when the RL signal is on.	✓		✓
	24 – 27			Multi-speed setting 4 speed to 7 speed	0.01Hz	9999	0–400Hz/9999	Frequency from 4 speed to 15 speed can be set according to the combination of the RH, RM, RL and REX signals. 9999: not selected	✓	✓		✓
	232 – 239		Multi-speed setting 8 speed to 15 speed	0.01Hz	9999	0–400Hz/9999						

Tab. 6-1: Parameter overview (2)

Function	Parameter		Increments	Initial Value	Setting Range	Description	Parameter-Copy	Parameter-Clear	All Parameter-Clear	Refer to Page		
	Related Parameters	Name									✓: Enabled —: Disabled	
Acceleration/deceleration time setting	7	⊙	Acceleration time	0.1/0.01s	5/10/15s *	0–3600/ 360s	Set the motor acceleration time * Initial values differ according to the inverter capacity: FR-E720S-110SC or less, FR-E740-095SC or less/ FR-E740-120SC and 170SC/ FR-E740-230SC and 300SC	✓	✓	✓	6-69	
	8	⊙	Deceleration time	0.1/0.01s	5/10/15s *	0–3600/ 360s	Set the motor deceleration time * Initial values differ according to the inverter capacity: FR-E720S-110SC or less, FR-E740-095SC or less/ FR-E740-120SC and 170SC/ FR-E740-230SC and 300SC	✓	✓	✓		
	20		Acceleration/deceleration reference frequency	0.01Hz	50Hz	1–400Hz	Set the frequency referenced as acceleration/deceleration time. As acceleration/deceleration time, set the frequency change time from stop to Pr. 20.	✓	✓	✓		
	21		Acceleration/deceleration time increments	1	0	0	Increments: 0.1s Range: 0–3600s	Increments and setting range of acceleration/ deceleration time setting can be changed.	✓	✓		✓
						1						
	44		Second acceleration/ deceleration time	0.1/0.01s	5/10/ 15s *	0–3600/ 360s	Set the acceleration/deceleration time when the RT signal is on. * Initial values differ according to the inverter capacity: FR-E720S-110SC or less, FR-E740-095SC or less/ FR-E740-120SC and 170SC/ FR-E740-230SC and 300SC	✓	✓	✓		
	45		Second deceleration time	0.1/0.01s	9999	0–3600/ 360s	Set the deceleration time when the RT signal is on.	✓	✓	✓		
						9999	Acceleration time = deceleration time					
	147		Acceleration/deceleration time switching frequency	0.01Hz	9999	0–400Hz	Frequency when automatically switching to the acceleration/deceleration time of Pr. 44 and Pr. 45.	✓	✓	✓		
						9999	No function					
Motor protection from overheat (electronic thermal relay function)	9	⊙	Electronic thermal O/L relay	0.01A	Rated inverter output current *	0–500A	Set the rated motor current. * The initial value of the 026SC or less is set to 85% of the rated inverter current.	✓	✓	✓	6-80	
	51		Second electronic thermal O/L relay	0.01A	9999	0–500A	Made valid when the RT signal is on. Set the rated motor current.	✓	✓	✓		
						9999	Second electronic thermal O/L relay invalid					

Tab. 6-1: Parameter overview (3)

Function	Parameter		Increments	Initial Value	Setting Range	Description	Parameter-Copy	Parameter-Clear	All Parameter-Clear	Refer to Page	
	Related Parameters	Name									✓: Enabled —: Disabled
DC injection brake	10	DC injection brake operation frequency	0.01Hz	3Hz	0–120Hz	Set the operation frequency of the DC injection brake.	✓	✓	✓	6-98	
	11	DC injection brake operation time	0.1s	0.5s	0	DC injection brake disabled	✓	✓	✓		
					0.1–10s	Set the operation time of the DC injection brake.					
12	DC injection brake operation voltage	0.1%	6/4/2% *	0.1–30%	DC injection brake disabled Set the DC injection brake voltage (torque). * Initial values differ according to the inverter capacity: FR-E720S-008SC and 0155SC/ FR-E720S-030SC to 110SC, FR-E740-016SC to 170SC/ FR-E740-230SC and 300SC	✓	✓	✓			
Starting frequency	13	Starting frequency	0.01Hz	0.5Hz	0–60Hz	Starting frequency can be set.	✓	✓	✓	6-73	
	571	Holding time at a start	0.1s	9999	0.0–10.0s	Set the holding time of Pr. 13 "Starting frequency". 9999 Holding function at stat is invalid.	✓	✓	✓		
V/F pattern matching applications 	14	Load pattern selection	1	0	0	For constant torque load	✓	✓	✓	6-56	
					1	For variable-torque load					
					2	For constant torque elevators					at reverse rotation boost of 0%
											at forward rotation boost of 0%
3											
Jog operation	15	Jog frequency	0.01Hz	5Hz	0–400Hz	Set the frequency for jog operation.	✓	✓	✓	6-61	
	16	Jog acceleration/deceleration time	0.1/0.01s	0.5s	0–3600/360s	Set the acceleration/deceleration time for jog operation. Set the time taken to reach the frequency set in Pr. 20 "Acceleration/deceleration reference frequency" for acceleration/deceleration time (initial value is 50Hz). In addition, acceleration/deceleration time can not be set separately.	✓	✓	✓		
MRS input selection	17	MRS input selection	1	0	0	Open input always	✓	✓	✓	6-117	
					2	Normally closed input (NC contact input specifications)					
					4	External terminal: Normally closed input (NC contact input specifications) Communication: Normally open input					
—	18	Refer to Pr. 1 and Pr. 2									
	19	Refer to Pr. 3									
	20 21	Refer to Pr. 7 and Pr. 8									

Tab. 6-1: Parameter overview (4)

Function	Parameter		Increments	Initial Value	Setting Range	Description	Parameter-Copy	Parameter-Clear	All Parameter-Clear	Refer to Page
	Related Parameters	Name								
Stall prevention operation	22	Stall prevention operation level	0.1%	150%	0	Stall prevention operation selection becomes invalid.	✓	✓	✓	6-42
					0.1–200%	The stall prevention operation level can be set.				
	23	Stall prevention operation level compensation factor at double speed	0.1%	9999	0–200%	The stall operation level can be reduced when operating at a high speed above the rated frequency.	✓	✓	✓	
					9999	Constant according to Pr. 22				
	48	Second stall prevention operation current	0.1%	9999	0	Second stall prevention operation invalid	✓	✓	✓	
					0.1–200%	The stall prevention operation level can be set.				
	9999	Same level as Pr. 22.								
	66	Stall prevention operation reduction starting frequency	0.01Hz	50Hz	0–400Hz	Set the frequency at which the stall operation level is started to reduce.	✓	✓	✓	
	156	Stall prevention operation selection	1	0	0–31/100/101	Pr. 156 allows you to select whether to use stall prevention or not according to the acceleration/deceleration status.	✓	✓	✓	
	157	OL signal output timer	0.1s	0s	0–25s	Set the output start time of the OL signal output when stall prevention is activated.	✓	✓	✓	
9999					Without the OL signal output					
277	Stall prevention operation current switchover	1	0	0	When the output current exceeds the limit level, output frequency is limited to limit current. The inverter rated current is the reference to the limit level.	✓	✓	✓		
				1	When the output torque exceeds the limit level, output frequency is limited to limit current. The rated motor torque is the reference to the limit level.					
—	24 – 27	Refer to Pr. 4 to Pr. 6								
Acceleration/ deceleration pattern	29	Acceleration/ deceleration pattern selection	1	0	0	Linear acceleration/ deceleration	✓	✓	✓	6-75
					1	S-pattern acceleration/ deceleration A				
					2	S-pattern acceleration/ deceleration B				
Selection of regeneration unit	30	Regenerative function selection	1	0	0	Brake unit FR-BU2, High power factor converter FR-HC, Power regeneration common converter FR-CV	✓	✓	✓	6-101
					1	High-duty brake resistor FR-ABR				
					2	High power factor converter FR-HC (when an automatic restart after instantaneous power failure is selected)				
	70	Special regenerative brake duty	0.1%	0%	0–30%	Set this parameter when a high duty brake resistor or power regeneration converter is used.	✓	✓	✓	

Tab. 6-1: Parameter overview (5)

Function	Parameter	Name	Increments	Initial Value	Setting Range	Description	Parameter-Copy	Parameter-Clear	All Parameter Clear	Refer to Page
							✓: Enabled —: Disabled			
Avoid mechanical resonance points	31	Frequency jump 1A	0.01Hz	9999	0–400Hz/ 9999	1A to 1B, 2A to 2B, 3A to 3B are frequency jumps 9999: Function invalid	✓	✓	✓	6-52
	32	Frequency jump 1B	0.01Hz	9999	0–400Hz/ 9999		✓	✓	✓	
	33	Frequency jump 2A	0.01Hz	9999	0–400Hz/ 9999		✓	✓	✓	
	34	Frequency jump 2B	0.01Hz	9999	0–400Hz/ 9999		✓	✓	✓	
	35	Frequency jump 3A	0.01Hz	9999	0–400Hz/ 9999		✓	✓	✓	
	36	Frequency jump 3B	0.01Hz	9999	0–400Hz/ 9999		✓	✓	✓	
Speed display and speed setting	37	Speed display	0.001	0	0	Frequency display, setting	✓	✓	✓	6-136
					0.01–9998	Set the machine speed at 60Hz.				
RUN key rotation direction selection	40	RUN key rotation direction selection	1	0	0	Forward rotation	✓	✓	✓	6-313
					1	Reverse rotation				
Detection of output frequency (SU, FU)	41	Up-to-frequency sensitivity (SU output)	0.1%	10%	0–100%	Set the level where the SU signal turns on.	✓	✓	✓	6-129
	42	Output frequency detection (FU output)	0.01Hz	6Hz	0–400Hz	Set the frequency where the FU signal turns on.	✓	✓	✓	
	43	Output frequency detection for reverse rotation	0.01Hz	9999	0–400Hz	Set the frequency where the FU signal turns on in reverse rotation.	✓	✓	✓	
9999					Same as Pr. 42 setting					
—	44 45	Refer to Pr. 7 and Pr. 8								
	46	Refer to Pr. 0								
	47	Refer to Pr. 3								
	48	Refer to Pr. 22								
—	51	Refer to Pr. 9								

Tab. 6-1: Parameter overview (6)


Function	Parameter	Name	Increments	Initial Value	Setting Range	Description	Parameter-Copy	Parameter-Clear	All Parameter-Clear	Refer to Page
							✓: Enabled —: Disabled			
Display functions	52	DU/PU main display data selection	1	0	0/5/7-12/ 14/20/23-25/ 52-57/61/62/ 100	Selects monitor to be displayed on the operation panel and parameter unit and monitor to be output to the terminal AM. 0: Output frequency (Pr. 52) 1: Output frequency (Pr. 158) 2: Output current (Pr. 158) 3: Output voltage (Pr. 158) 5: Frequency setting value 7: Motor torque 8: Converter output voltage 9: Regenerative brake duty 10: Electronic thermal relay function load factor 11: Output current peak value 12: Converter output voltage peak value 14: Output power 20: Cumulative energization time (Pr. 52) 21: Reference voltage output (Pr. 158) 23: Actual operation time (Pr. 52) 24: Motor load factor 25: Cumulative power (Pr. 52) 52: PID set point 53: PID measured value 54: PID deviation (Pr. 52) 55: I/O terminal status (Pr. 52) 56: Option input terminal status (Pr. 52) 57: Option output terminal status (Pr. 52) 61: Motor thermal load factor 62: Inverter load factor 100: Set frequency is displayed during a stop and output frequency is displayed during operation (Pr. 52).	✓	✓	✓	6-138
	158	AM terminal function selection	1	1	1-3/5/7-12/ 14/21/24/52/ 53/61/62		✓	✓	✓	
	170	Watt-hour meter clear	1	9999	0	Set "0" to clear the watt-hour meter monitor.	✓	—	✓	
					10	Set the maximum value when monitoring from communication to 0 to 9999kWh.				
					9999	Set the maximum value when monitoring from communication to 0 to 65535kWh.				
	171	Operation hour meter clear	1	9999	0/9999	Set "0" in the parameter to clear the watt hour monitor. Setting "9999" has no effect.	✓	✓	✓	
	268	Monitor decimal digits selection	1	9999	0	Displays the monitor as integral value.	✓	—	✓	
					1	Displays the monitor in increments of 0.1.				
					9999	No fixed decimal position				
	563	Energizing time carrying-over times	1	0	0-65535	The numbers of cumulative energizing time monitor exceeded 65535h is displayed. Reading only	—	—	—	
564	Operating time carrying-over times	1	0	0-65535	The numbers of operation time monitor exceeded 65535h is displayed. Reading only	—	—	—		

Tab. 6-1: Parameter overview (7)

Function	Parameter	Name	Increments	Initial Value	Setting Range	Description	Parameter-Copy	Parameter-Clear	All Parameter-Clear	Refer to Page	
							✓: Enabled —: Disabled				
Change of the monitor output from terminal AM	55	Frequency monitoring reference	0.01Hz	50Hz	0–400Hz	Set the full-scale value to output the output frequency monitor value to terminal AM.	✓	✓	✓	6-146	
	56	Current monitoring reference	0.01	Rated inverter output current	0–500	Set the full-scale value to output the output current monitor value to terminal AM.	✓	—	✓		
Restart operation after instantaneous power failure	57	Restart coasting time	0.1s	9999	0	The coasting time is as follows: FR-E720S-080SC or less, FR-E740-040SC or less:..... 1s, FR-E720S-110SC, FR-E740-060SC to 170SC:..... 2s, FR-E740-230SC and 300SC:..... 3s	✓	✓	✓	6-151	
					0.1–5s	Set the waiting time for inverter-triggered restart after an instantaneous power failure.					
					9999	No restart					
	162	Automatic restart after instantaneous power failure selection	1	1	0	With frequency search	✓	✓	✓		
					1	Without frequency search (Reduced voltage system)					When using the frequency search, consider the wiring length limit. (Refer to page 3-12.)
					10	Frequency search at every start					
					11	Reduced voltage system at every start					
	165	Stall prevention operation level for restart	0.1%	150%	0–200%	Consider the rated inverter current as 100% and set the stall prevention operation level during restart operation.	✓	✓	✓		
	298	Frequency search gain	1	9999	0–32767	When offline auto tuning is performed under V/F control, frequency search gain necessary for frequency search for automatic restart after instantaneous power failure is set as well as the motor constants (R1).	✓	—	✓		
					9999	Uses the Mitsubishi motor (SF-JR, SF-HRCA) constants					
	299	Rotation direction detection selection at restarting	1	9999	0	Without rotation direction detection	✓	✓	✓		
					1	With rotation direction detection					
9999					When Pr. 78 = "0", the rotation direction is detected. When Pr. 78 = "1", "2", the rotation direction is not detected.						
611	Acceleration time at a restart	0.1s	9999	0–3600s	Set the acceleration time to reach the set frequency at a restart.	✓	✓	✓			
				9999	Acceleration time for restart is the normal acceleration time (e.g. Pr. 7).						

Tab. 6-1: Parameter overview (8)



Function	Parameter		Increments	Initial Value	Setting Range	Description		Parameter-Copy	Parameter-Clear	All Parameter-Clear	Refer to Page	
	Related Parameters	Name										
Remote setting function	59	Remote function selection	1	0	0	RH, RM, RL signal function	Frequency setting storage function	✓	✓	✓	6-65	
						Multi-speed setting	—					
						1	Remote setting					Yes
						2	Remote setting					No
						3	Remote setting					No (Turning STF/STR off clears remote setting frequency.)
Energy saving control selection 	60	Energy saving control selection	1	0	0	Normal operation mode		✓	✓	✓	6-172	
					9	Optimum excitation control mode (OEC)						
Automatic acceleration/deceleration	61	Reference current	0.01A	9999	0–500A	Setting value (rated motor current) is referenced		✓	✓	✓	6-77	
					9999	Rated inverter current is referenced						
	62	Reference value at acceleration	1%	9999	0–200%	Setting value is a limit value		✓	✓	✓		
					9999	150% is a limit value						
	63	Reference value at deceleration	1%	9999	0–200%	Setting value is a limit value		✓	✓	✓		
					9999	150% is a limit value						
	292	Automatic acceleration/deceleration	1	0	0	Normal mode		✓	✓	✓		
					1	Shortest acceleration/deceleration mode	Without brake					
					11		With brake					
					7	Brake sequence mode 1						
8					Brake sequence mode 2							
293	Acceleration/deceleration separate selection	1	0	0	Calculates acceleration/deceleration time of both acceleration and deceleration for the shortest acceleration/deceleration mode.		✓	✓	✓			
				1	Calculates only acceleration time for the shortest acceleration/deceleration mode.							
				2	Calculates only deceleration time for the shortest acceleration/deceleration mode.							

Tab. 6-1: Parameter overview (9)

Function	Parameter	Name	Increments	Initial Value	Setting Range	Description	Parameter-Copy	Parameter-Clear	All Parameter-Clear	Refer to Page
							✓: Enabled —: Disabled			
Retry function at alarm occurrence	65	Retry selection	1	0	0–5	An alarm for retry can be selected.	✓	✓	✓	6-167
	67	Number of retries at alarm occurrence	1	0	0	No retry function	✓	✓	✓	
					1–10	Set the number of retries at alarm occurrence. An alarm output is not provided during retry operation.				
					101–110	Set the number of retries at alarm occurrence. (The setting value minus 100 is the number of retries.) An alarm output is provided during retry operation.				
	68	Retry waiting time	0.1s	1s	0.1–360s	Set the waiting time from when an inverter alarm occurs until a retry is made.	✓	✓	✓	
69	Retry count display erase	1	0	0	Clear the number of restarts succeeded by retry.	✓	✓	✓		
—	66	Refer to Pr. 22 and Pr. 23								
—	67 – 69	Refer to Pr. 65								
—	70	Refer to Pr. 30								

**Tab. 6-1:** Parameter overview (10)

Function	Parameter	Name	Increments	Initial Value	Setting Range	Description	Parameter-Copy	Parameter-Clear	All Parameter-Clear	Refer to Page	
							✓: Enabled —: Disabled				
Applied motor	71	Applied motor	1	0	0	Thermal characteristics of a standard motor	✓	✓	✓	6-85	
					1	Thermal characteristics of the Mitsubishi constant-torque motor					
					40	Thermal characteristic of Mitsubishi high efficiency standard motor (SF-HR)					
					50	Thermal characteristic of Mitsubishi constant torque motor (SF-HRCA)					
					3	Standard motor					Select "offline auto tuning setting"
					13	Constant-torque motor					
					23	Mitsubishi standard motor SF-JR 4P (≤ 1.5kW)					
					43	Mitsubishi high efficiency motor (SF-HR)					
					53	Mitsubishi constant-torque motor (SF-HRCA)					Auto tuning data can be read, changed, and set.
					4	Standard motor					
					14	Constant-torque motor					
					24	Mitsubishi standard motor SF-JR 4P (≤ 1.5kW)					
					44	Mitsubishi high efficiency motor (SF-HR)					
					54	Mitsubishi constant-torque motor (SF-HRCA)					
					5	Standard motor					Star connection Direct input of motor constants is enabled
					15	Constant-torque motor					Delta connection Direct input of motor constants is enabled
					6	Standard motor					
					16	Constant-torque motor					
					450	Second applied motor					1
	1	Thermal characteristics of the Mitsubishi constant-torque motor									
9999	Second motor is invalid (thermal characteristic of the first motor (Pr. 71))										

Tab. 6-1: Parameter overview (11)

Function	Parameter		Increments	Initial Value	Setting Range	Description	Parameter-Copy	Parameter-Clear	All Parameter-Clear	Refer to Page	
	Related Parameters	Name									
Carrier frequency and Soft-PWM selection	72	PWM frequency selection	1	1	0–15	PWM carrier frequency can be changed. The setting displayed is in [kHz]. Note that 0 indicates 0.7kHz, 15 indicates 14.5kHz.	✓	✓	✓	6-173	
		240	Soft-PWM operation selection	1	1	0	Soft-PWM invalid	✓	✓		✓
						1	When Pr. 72 = "0 to 5", Soft-PWM is valid.	✓	✓		✓
Analog input selection	73	Analog input selection	1	1	0	Terminal 2 input 0–10V	Polarity reversible	✓	—	✓	6-175
					1	0–5V	Not used				
					10	0–10V	With				
					11	0–5V					
	267	Terminal 4 input selection	1	0	0	Terminal 4 input 4 to 20mA	✓	—	✓		
					1	Terminal 4 input 0 to 5V					
2					Terminal 4 input 0 to 10V						
Noise elimination at the analog input	74	Input filter time constant	1	1	0–8	The primary delay filter time constant for the analog input can be set. A larger setting results in a larger filter.	✓	✓	✓	6-180	
Reset selection/ disconnected PU/PU stop	75	Reset selection/ disconnected PU/PU stop	1	14	0–3/14–17	You can select the reset input acceptance, disconnected PU (operation panel/FR-PU04/FR-PU07) connector detection function and PU stop function. For the initial value, reset always enabled, without disconnected PU detection, and with PU stop function are set.	✓	—	—	6-188	
Prevention of parameter rewrite	77	Parameter write selection	1	0	0	Write is enabled only during a stop	✓	✓	✓	6-193	
					1	Parameter write is disabled.					
					2	Parameter write is enabled in any operation mode regardless of operation status. <i>Note:</i> Parameters that can generally be written during operation should not be written as well with this setting.					
Prevention of reverse rotation of the motor	78	Reverse rotation prevention selection	1	0	0	Both forward and reverse rotations allowed	✓	✓	✓	6-195	
					1	Reverse rotation disallowed					
					2	Forward rotation disallowed					

Tab. 6-1: Parameter overview (12)

Function	Parameter		Increments	Initial Value	Setting Range	Description	Parameter-Copy	Parameter-Clear	All Parameter-Clear	Refer to Page	
	Related Parameters	Name									
Operation mode selection	79	⊙	1	0	0	External/PU switch over mode	✓	✓	✓	6-204	
					1	Fixed to PU operation mode					
					2	Fixed to External operation mode					
					3	External/PU combined operation mode 1					
					4	External/PU combined operation mode 2					
					6	Switch-over mode					
					7	External operation mode (PU operation interlock)					
	340		1	0	0	As set in Pr. 79.	✓	✓ <sup>①</sup>	✓ <sup>①</sup>	6-216	
					1	Started in the network operation mode.					
					10	Started in the network operation mode. Operation mode can be changed between the PU operation mode and network operation mode from the operation panel.					
Selection of control method AD MFVC GP MFVC	80		0.01kW	9999	0.1–15kW	Set the applied motor capacity.	✓	✓	✓	6-36	
					9999	V/F control is performed					
	81		1	9999	2/4/6/8/10	Set the number of motor poles.	✓	✓	✓		
					12/14/16/18/20	X18 signal ON: V/F control					Set 10 + number of motor poles
					9999	V/F control is performed					
	89	Speed control gain (advanced magnetic flux vector)	0.1%	9999	0–200%	Motor speed fluctuation due to load fluctuation is adjusted during advanced magnetic flux vector control. 100% is a referenced value.	✓	—	✓		
					9999	Gain matching with the motor set in Pr. 71.					
	800	Control method selection	1	20	20	Advanced magnetic flux vector control	✓	✓	✓		
					30	General-purpose magnetic flux vector control					Set a value other than "9999" in Pr. 80 and Pr. 81.

Tab. 6-1: Parameter overview (13)

① These parameters are communication parameters that are not cleared when parameter clear (all clear) is executed from RS-485 communication. (Refer to section 6.19 for RS-485 communication).

Function	Parameter	Name	Increments	Initial Value	Setting Range	Description	Parameter-Copy	Parameter-Clear	All Parameter-Clear	Refer to Page
							✓: Enabled —: Disabled			
Offline auto tuning	82	Motor excitation current	0.01A *	9999	0–500A *	Tuning data (The value measured by offline auto tuning is automatically set.) * The range differs according to the Pr. 71 setting.	✓	—	✓	6-88
					9999	Uses the Mitsubishi motor (SF-JR, SF-HRCA) constants				
	83	Motor rated voltage	0.1V	200V/ 400V *	0–1000V	Set the rated motor voltage (V). * The initial value differs according to the voltage class: 200V/400V	✓	✓	✓	
	84	Rated motor frequency	0.01Hz	50Hz	10–120Hz	Set the rated motor frequency (Hz).	✓	✓	✓	
	90	Motor constant (R1)	0.001Ω*	9999	0–50Ω *	Tuning data (The value measured by offline auto tuning is automatically set.) * The range differs according to the Pr. 71 setting.	✓	—	✓	
					9999	Use constants of the Mitsubishi motor (SF-JR, SF-HR, SF-JRCA, SF-HRCA)				
	91	Motor constant (R2)	0.001Ω*	9999	0–50Ω *	Tuning data (The value measured by offline auto tuning is automatically set.) * The range differs according to the Pr. 71 setting.	✓	—	✓	
					9999	Use constants of the Mitsubishi motor (SF-JR, SF-HR, SF-JRCA, SF-HRCA)				
	92	Motor constant (L1)	0.1mH *	9999	0–1000mH *	Tuning data (The value measured by offline auto tuning is automatically set.) * The range differs according to the Pr. 71 setting.	✓	—	✓	
					9999	Use constants of the Mitsubishi motor (SF-JR, SF-HR, SF-JRCA, SF-HRCA)				
	93	Motor constant (L2)	0.1mH *	9999	0–1000mH *	Tuning data (The value measured by offline auto tuning is automatically set.) * The range differs according to the Pr. 71 setting.	✓	—	✓	
					9999	Use constants of the Mitsubishi motor (SF-JR, SF-HR, SF-JRCA, SF-HRCA)				

Tab. 6-1: Parameter overview (14)

Function	Parameter		Name	Increments	Initial Value	Setting Range	Description	Parameter-Copy	Parameter-Clear	All Parameter-Clear	Refer to Page
	Related Parameters	✓: Enabled —: Disabled									
Offline auto tuning	94	Motor constant (X)	0.1% *	9999	0–100% *	Tuning data (The value measured by offline auto tuning is automatically set.) * The range differs according to the Pr. 71 setting.	✓	—	✓	6-88	
					9999	Use the Mitsubishi motor (SF-JR, SF-HRCA) constants					
	96	Auto tuning setting/status	1	0	0	Offline auto tuning is not performed	✓	—	✓		
					1	For advanced magnetic flux vector control Offline auto tuning is performed without motor running (all motor constants)					
					11	For general-purpose magnetic flux vector control Offline auto tuning is performed without motor running (motor constant (R1) only)					
					21	Offline auto tuning for V/F control (automatic restart after instantaneous power failure (with frequency search))					
	859	Torque current	0.01A *	9999	0–500A *	Tuning data (The value measured by offline auto tuning is automatically set.) * The range differs according to the Pr. 71 setting.	✓	—	✓		
					9999	Use the Mitsubishi motor (SF-JR, SF-HRCA) constants					
—	89	Refer to Pr. 81									
	90 – 94	Refer to Pr. 82 to 84									
	96	Refer to Pr. 82 to 84									

Tab. 6-1: Parameter overview (15)

Function	Parameter	Name	Increments	Initial Value	Setting Range	Description	Parameter-Copy	Parameter-Clear	All Parameter-Clear	Refer to Page
							✓: Enabled —: Disabled			
Communication initial setting	117	PU communication station	1	0	0–31 (0–247)	Set the inverter station numbers when two or more inverters are connected to one personal computer. When "1" (Modbus-RTU protocol) is set in Pr. 549, the setting range within parenthesis is applied.	✓	✓ <sup>①</sup>	✓ <sup>①</sup>	6-232
	118	PU communication speed	1	192	48/96/ 192/384	Set the communication speed. The setting value × 100 equals the communication speed. For example, the communication speed is 19200bps when the setting value is "192".	✓	✓ <sup>①</sup>	✓ <sup>①</sup>	
	119	PU communication stop bit length	1	1	0	Stop bit length: 1bit data length: 8bit	✓	✓ <sup>①</sup>	✓ <sup>①</sup>	
					1	Stop bit length: 2bit data length: 8bit				
					10	Stop bit length: 1bit data length: 7bit				
					11	Stop bit length: 2bit data length: 7bit				
	120	PU communication parity check	1	2	0	Without parity check (for Modbus-RTU: stop bit length: 2bit)	✓	✓ <sup>①</sup>	✓ <sup>①</sup>	
					1	With odd parity check (for Modbus-RTU: stop bit length: 1bit)				
					2	With even parity check (for Modbus-RTU: stop bit length: 1bit)				
	121	Number of PU communication retries	1	1	0–10	If the number of consecutive errors exceeds the permissible value, E.PUE (computer link)/E.ESR (Modbus-RTU) will cause an alarm stop.	✓	✓ <sup>①</sup>	✓ <sup>①</sup>	
					9999	If a communication error occurs, the inverter will not come to an alarm stop.				
	122	PU communication check time interval	0.1s	9999	0	No PU connector communication	✓	✓ <sup>①</sup>	✓ <sup>①</sup>	
					0.1–999.8s	Set the communication check time interval. If a no-communication state persists for longer than the permissible time, the inverter will come to an alarm stop.				
					9999	No communication check				
123	PU communication waiting time setting	1	9999	0–150ms	Set the waiting time between data transmission to the inverter and response.	✓	✓ <sup>①</sup>	✓ <sup>①</sup>		
				9999	Set with communication data.					

Tab. 6-1: Parameter overview (16)

① These parameters are communication parameters that are not cleared when parameter clear (all clear) is executed from RS-485 communication. (Refer to section 6.19 for RS-485 communication).



Function	Parameter		Increments	Initial Value	Setting Range	Description	Parameter-Copy	Parameter-Clear	All Parameter-Clear	Refer to Page
	Related Parameters	Name								
Communication initial setting	124	PU communication CR/LF presence/absence selection	1	1	0	Without CR/LF	✓	✓ <sup>①</sup>	✓ <sup>①</sup>	6-232
					1	With CR				
					2	With CR/LF				
	342	Communication E <sup>2</sup> PROM write selection	1	0	0	Parameter values written by communication are written to the E <sup>2</sup> PROM and RAM.	✓	✓	✓	
					1	Parameter values written by communication are written to the RAM.				
	343	Communication error count	1	0	Read only	Display the number of communication errors during Modbus-RTU communication. Read only. Displayed only when Modbus-RTU protocol is selected.	—	—	—	
	502	Stop mode selection at communication error	1	0	0/3	You can select the inverter operation if a communication error occurs.	✓	✓	✓	
					1/2					
	549	Protocol selection	1	0	0	Mitsubishi inverter (computer link) protocol	✓	✓ <sup>①</sup>	✓ <sup>①</sup>	
					1	Modbus-RTU protocol				

**Tab. 6-1:** Parameter overview (17)

① These parameters are communication parameters that are not cleared when parameter clear (all clear) is executed from RS-485 communication. (Refer to section 6.19 for RS-485 communication).

Function	Parameter		Name	Increments	Initial Value	Setting Range	Description	Parameter-Copy	Parameter-Clear	All Parameter-Clear	Refer to Page	
	Related Parameters											
Change of analog input frequency, adjustment of voltage, current input and frequency (calibration)	125	☉	Terminal 2 frequency setting gain frequency	0.01Hz	50Hz	0–400Hz	Set the frequency of terminal 2 input gain (maximum).	✓	—	✓	6-181	
	126	☉	Terminal 4 frequency setting gain frequency	0.01Hz	50Hz	0–400Hz	Set the frequency of terminal 4 input gain (maximum).	✓	—	✓		
	241		Analog input display unit switch over	1	0	0	Displayed in %	Select the unit for analog input display.	✓	✓		✓
						1	Displayed in V/mA					
	C2 (902)		Terminal 2 frequency setting bias frequency	0.01Hz	0Hz	0–400Hz	Set the frequency on the bias side of terminal 2 input.	✓	—	✓		
	C3 (902)		Terminal 2 frequency setting bias	0.1%	0%	0–300%	Set the converted % of the bias side voltage (current) of terminal 2 input.	✓	—	✓		
	C4 (903)		Terminal 2 frequency setting gain	0.1%	100%	0–300%	Set the converted % of the gain side voltage of terminal 2 input.	✓	—	✓		
	C5 (904)		Terminal 4 frequency setting bias frequency	0.01Hz	0Hz	0–400Hz	Set the frequency on the bias side of terminal 4 input.	✓	—	✓		
	C6 (904)		Terminal 4 frequency setting bias	0.1%	20%	0–300%	Set the converted % of the bias side current (voltage) of terminal 4 input.	✓	—	✓		
C7 (905)		Terminal 4 frequency setting gain	0.1%	100%	0–300%	Set the converted % of the gain side current (voltage) of terminal 4 input.	✓	—	✓			

**Tab. 6-1:** Parameter overview (18)

**NOTE**

The parameter number in parentheses is the one for use with the parameter unit (FR-PU04/FR-PU07).

Function	Parameter	Name	Increments	Initial Value	Setting Range	Description	Parameter-Copy	Parameter-Clear	All Parameter-Clear	Refer to Page	
							✓: Enabled —: Disabled				
PID control	127	PID control automatic switch-over frequency	0.01Hz	9999	0–400Hz	Set the frequency at which the control is automatically changed to PID control.	✓	✓	✓	6-277	
					9999	Without PID automatic switchover function					
	128	PID action selection	1	0	0	PID control invalid	✓	✓	✓		
					20	PID reverse action					Measured value input (terminal 4) Set value (terminal 2 or Pr. 133)
					21	PID forward action					
					40–43	Dancer control					
					50	PID reverse action					Deviation value signal input (CC-Link communication)
					51	PID forward action					
					60	PID reverse action					Measured value and set point input (CC-Link communication)
	61	PID forward action									
	129	PID proportional band	0.1%	100%	0.1–1000%	If the proportional band is narrow (parameter setting is small), the manipulated variable varies greatly with a slight change of the measured value. Hence, as the proportional band narrows, the response sensitivity (gain) improves but the stability deteriorates, e.g. hunting occurs. Gain $K_p = 1/\text{proportional band}$	✓	✓	✓		
					9999	No proportional control.					
	130	PID integral time	0.1s	1s	0.1–3600s	Time required for only the integral (I) action to provide the same manipulated variable as that for the proportional (P) action. As the integral time decreases, the set point is reached earlier but hunting occurs more easily.	✓	✓	✓		
					9999	No integral control.					
	131	PID upper limit	0.1%	9999	0–100%	Set the upper limit value. If the feedback value exceeds the setting, the FUP signal is output. The maximum input (20mA/5V/10V) of the measured value (terminal 4) is equivalent to 100%.	✓	✓	✓		
					9999	No function					
132	PID lower limit	0.1%	9999	0–100%	Set the lower limit value. If the process value falls below the setting range, the FDN signal is output. The maximum input (20mA/5V/10V) of the measured value (terminal 4) is equivalent to 100%	✓	✓	✓			
				9999	No function						
133	PID action set point	0.01%	9999	0–100%	Used to set the set point for PID control in the PU operation mode.	✓	✓	✓			
				9999	No function						
134	PID differential time	0.01s	9999	0.01–10.00s	Time required for only the differential (D) action to provide the same manipulated variable as that for the proportional (P) action. As the differential time increases, greater response is made to a deviation change.	✓	✓	✓			
				9999	No differential control.						

Tab. 6-1: Parameter overview (19)

Function	Parameter	Name	Increments	Initial Value	Setting Range	Description	Parameter-Copy	Parameter-Clear	All Parameter-Clear	Refer to Page
							✓: Enabled —: Disabled			
Parameter unit language switchover	145	PU display language selection	1	1	0	Japanese	✓	—	—	6-313
					1	English				
					2	German				
					3	French				
					4	Spanish				
					5	Italian				
					6	Swedish				
7	Finnish									
—	146	Parameter for manufacturer setting. Do not set.								
—	147	Refer to Pr. 7 and Pr. 8								
Detection of output current (Y12 signal) and Detection of zero current (Y13 signal)	150	Output current detection level	0.1%	150%	0–200%	Set the output current detection level. 100% is the rated inverter current.	✓	✓	✓	6-131
	151	Output current detection signal delay time	0.1s	0s	0–10s	Set the output current detection period. Set the time from when the output current has risen above the setting until the output current detection signal (Y12) is output.	✓	✓	✓	
	152	Zero current detection level	0.1%	5%	0–200%	Set the zero current detection level. Suppose that the rated inverter current at the specified overload capacity is 100%.	✓	✓	✓	
	153	Zero current detection time	0.01s	0.5s	0–1s	Set this parameter to define the period from when the output current drops below the Pr. 152 value until the zero current detection signal (Y13) is output.	✓	✓	✓	
—	156 157	Refer to Pr. 22								
—	158	Refer to Pr. 52								
User group function	160	⊙ User group read selection	1	0	0	Simple mode and extended mode parameters can be displayed.	✓	✓	✓	6-196
					1	Only parameters registered in the user group can be displayed.				
					9999	Only the simple mode parameters can be displayed				
	172	User group registered display/batch clear	1	0	0–16	Displays the number of cases registered as a user group (reading only).	✓	—	—	
					9999	Batch clear the user group registration				
173	User group registration	1	9999	0–999/9999	Set the parameter numbers to be registered to the user group. Read value is always "9999".	—	—	—		
174	User group clear	1	9999	0–999/9999	Set the parameter numbers to be cleared from the user group. Read value is always "9999".	—	—	—		



Tab. 6-1: Parameter overview (20)

Function	Parameter		Increments	Initial Value	Setting Range	Description	Parameter-Copy	Parameter-Clear	All Parameter-Clear	Refer to Page	
	Name	Related Parameters									
Operation selection of the operation panel	161	Frequency setting/key lock operation selection	1	0	0	Setting dial frequency setting mode	Key lock mode invalid	✓	—	✓	6-314
					1						
					10	Setting dial frequency setting mode	Key lock mode valid				
					11	Setting dial potentiometer mode					
—	162 165	Refer to Pr. 57									
	168 169	Parameter for manufacturer setting. Do not set.									
	170 171	Refer to Pr. 52									
	172 — 174	Refer to Pr. 160									
Function assignment of input terminal	178	STF terminal function selection	1	60	0–5/7/8/10/ 12/14–16/18/ 24/25/60/62/ 65–67/9999	0: Low-speed operation command 1: Middle-speed operation command 2: High-speed operation command 3: Second function selection 4: Terminal 4 input selection 5: Jog operation selection 7: External thermal relay input 8: Fifteen speed selection 10: Inverter operation enable signal (FR-HC/FR-CV connection) 12: PU operation external interlock 14: PID control valid terminal 15: Brake opening completion signal 16: PU-external operation switchover 18: V/F switchover 24: Output stop 25: Start self-holding selection 60: Forward rotation command (assigned to STF terminal (Pr. 178 only)) 61: Reverse rotation command (assigned to STR terminal (Pr. 179 only)) 62: Inverter reset 65: NET/PU operation switchover 66: External/NET operation switchover 67: Command source switchover 9999: No function	✓	—	✓	6-114	
	179	STR terminal function selection	1	61	0–5/7/8/10/ 12/14–16/18/ 24/25/61/62/ 65–67/9999		✓	—	✓		
	180	RL terminal function selection	1	0			✓	—	✓		
	181	RM terminal function selection	1	1			✓	—	✓		
	182	RH terminal function selection	1	2	0–5/7/8/10/ 12/14–16/18/ 24/25/62/ 65–67/9999		✓	—	✓		
	183	MRS bit function selection	1	3			✓	—	✓		
	184	RES terminal function selection	1	4			✓	—	✓		

**Tab. 6-1:** Parameter overview (21)

Function	Parameter	Name	Increments	Initial Value	Setting Range	Description	Parameter-Copy	Parameter-Clear	All Parameter-Clear	Refer to Page
							✓: Enabled —: Disabled			
Function assignment of output terminal	190	RUN terminal function selection	1	0	0/1/3/4/7/8/11-16/20/25/26/46/47/64/80/81/90/91/93/95/96/98/99/100/101/103/104/107/108/111-116/120/125/126/146/147/164/180/181/190/191/193/195/196/198/199/9999	0/100: Inverter running 1/101: Up to frequency 3/103: Overload alarm 4/104: Output frequency detection 7/107: Regenerative brake pre-alarm 8/108: Electronic thermal relay function pre-alarm 11/111: Inverter operation ready 12/112: Output current detection 13/113: Zero current detection 14/114: PID lower limit 15/115: PID upper limit 16/116: PID forward/reverse rotation output 20/120: Brake opening request 25/125: Fan fault output 26/126: Heatsink overheat pre-alarm	✓	—	✓	6-124
	191	FU terminal function selection	1	4	0/1/3/4/7/8/11-16/20/25/26/46/47/64/80/81/90/91/95/96/98/99/100/101/103/104/107/108/111-116/120/125/126/146/147/164/180/181/190/191/193/195/196/198/199/9999	46/146: During deceleration at occurrence of power failure (retained until release) 47/147: PID control activated 64/164: During retry 80/180: Safety monitor output 81/181: Safety monitor output 2 90/190: Life alarm 91/191: Alarm output 3 (power-off signal) 93/193: Current average monitor 95/195: Maintenance timer alarm 96/196: Remote output 98/198: Minor fault output 99/199: Alarm output 9999: No function 0-99: Source logic 100-199: Sink logic	✓	—	✓	
	192	ABC terminal function selection	1	99	0/1/3/4/7/8/11-16/20/25/26/46/47/64/80/81/90/91/95/96/98/99/100/101/103/104/107/108/111-116/120/125/126/146/147/164/180/181/190/191/195/196/198/199/9999		✓	—	✓	
—	232-239	Refer to Pr. 4 to Pr. 6								
	240	Refer to Pr. 72								
	241	Refer to Pr. 125 and Pr. 126								

Tab. 6-1: Parameter overview (22)

Function	Parameter	Name	Increments	Initial Value	Setting Range	Description	Parameter-Copy	Parameter-Clear	All Parameter-Clear	Refer to Page
							✓: Enabled —: Disabled			
Increase cooling fan life	244	Cooling fan operation selection	1	1	0	Operates at power on Cooling fan on/off control invalid (The cooling fan is always on at power on.)	✓	✓	✓	6-301
					1	Cooling fan on/off control valid				
  Slip compensation	245	Rated slip	0.01%	9999	0–50%	Used to set the rated motor slip.	✓	✓	✓	6-41
					9999	No slip compensation				
	246	Slip compensation time constant	0.01s	0.5s	0.01–10s	Used to set the response time of slip compensation. When the value is made smaller, response will be faster. However, as load inertia is greater, a regenerative overvoltage (E.OV□) error is more liable to occur.	✓	✓	✓	
						247				
					9999	Slip compensation is made in the constant output range.				
Ground fault detection	249	Earth (ground) fault detection at start	1	0	0	Without ground fault detection	✓	✓	✓	6-171
					1	With ground fault detection				
Selection of motor stopping method	250	Stop selection	0.1s	9999	0–100s	The motor is coasted to a stop when the preset time elapses after the start signal is turned off. STF signal: Forward rotation start STR signal: Reverse rotation start	✓	✓	✓	6-103
					1000–1100s	The motor is coasted to a stop (Pr. 250 – 1000)s after the start signal is turned off. STF signal: Start signal STR signal: Forward/reverse signal				
					8888	When the start signal is turned off, the motor decelerates to stop. STF signal: Start signal STR signal: Forward/reverse signal				
					9999					

Tab. 6-1: Parameter overview (23)

Function	Parameter	Name	Increments	Initial Value	Setting Range	Description	Parameter-Copy	Parameter-Clear	All Parameter-Clear	Refer to Page
							✓: Enabled —: Disabled			
Input/output phase failure protection selection	251	Output phase failure protection selection	1	1	0	Without output phase failure protection	✓	✓	✓	6-170
					1	With output phase failure protection				
	872	Input phase failure protection selection ①	1	1	0	Without input phase failure protection	✓	✓	✓	
					1	With input phase failure protection				
Display of the life of the inverter parts	255	Life alarm status display	1	0	(0–15)	Display whether the control circuit capacitor, main circuit capacitor, cooling fan, and each parts of the inrush current limit circuit has reached the life alarm output level or not. (Reading only)	—	—	—	6-302
	256	Inrush current limit circuit life display	1%	100%	(0–100%)	Display the deterioration degree of the inrush current limit circuit. (Reading only)	—	—	—	
	257	Control circuit capacitor life display	1%	100%	(0–100%)	Display the deterioration degree of the control circuit capacitor. (Reading only)	—	—	—	
	258	Main circuit capacitor life display	1%	100%	(0–100%)	Display the deterioration degree of the main circuit capacitor. (Reading only) The value measured by Pr. 259 is displayed.	—	—	—	
	259	Main circuit capacitor life measuring	1	0	0/1 (2, 3, 8, 9)	Setting "1" and switching the power supply off starts the measurement of the main circuit capacitor life. When the Pr. 259 value is "3" after powering on again, the measuring is completed. Displays the deterioration degree in Pr. 258.	✓	✓	✓	
Operation at instantaneous power failure	261	Power failure stop selection	1	0	0	Coasting to stop When under voltage or power failure occurs, the inverter output is shut off.	✓	✓	✓	6-163
					1	When under voltage or a power failure occurs, the inverter can be decelerated to a stop.				
					2	When under voltage or a power failure occurs, the inverter can be decelerated to a stop. If power is restored during a power failure, the inverter accelerates again.				
—	267	Refer to Pr. 73								
	268	Refer to Pr. 52								
	269	Parameter for manufacturer setting: Do not set.								

**Tab. 6-1:** Parameter overview (24)

① Available only for the three-phase power input model.



Function	Parameter	Name	Increments	Initial Value	Setting Range	Description	Parameter-Copy	Parameter-Clear	All Parameter-Clear	Refer to Page
							✓: Enabled —: Disabled			
Stop-on contact control AD MFVC GP MFVC	270	Stop-on contact control selection	1	0	0	Without stop-on contact control	✓	✓	✓	6-105
					1	Stop-on contact control				
	275	Stop-on contact excitation current low-speed multiplying factor	0.1%	9999	0–300%	Usually set a value between 130% and 180%. Set the force (holding torque) for stop-on contact control.	✓	✓	✓	
					9999	No compensation.				
	276	PWM carrier frequency at stop-on contact	1	9999	0–9	Set a PWM carrier frequency for stop-on contact control. (Valid at the output frequency of 3Hz or less.)	✓	✓	✓	
					9999	As set in Pr. 72 "PWM frequency selection".				
—	277	Refer to Pr. 22								
Brake sequence function AD MFVC GP MFVC	278	Brake opening frequency	0.01Hz	3Hz	0–30Hz	Set to the rated slip frequency of the motor + about 1.0Hz. This parameter may be set only if Pr. 278 ≤ Pr. 282.	✓	✓	✓	6-109
	279	Brake opening current	0.1%	130%	0–200%	Generally, set this parameter to about 50 to 90%. If the setting is too low, the load is liable to drop due to gravity at start. Suppose that the rated inverter current is 100%.	✓	✓	✓	
	280	Brake opening current detection time	0.1s	0.3s	0–2s	Generally, set this parameter to about 0.1 to 0.3s.	✓	✓	✓	
	281	Brake operation time at start	0.1s	0.3s	0–5s	Pr. 292 = 7: Set the mechanical delay time until the brake is loosened. Pr. 292 = 8: Set the mechanical delay time until the brake is loosened + about 0.1 to 0.2s.	✓	✓	✓	
	282	Brake operation frequency	0.01Hz	6Hz	0–30Hz	At this frequency, the brake opening request signal (BOF) is switched off. Generally, set this parameter to the Pr. 278 setting + 3 to 4Hz. This parameter may be set only if Pr. 278 ≤ Pr. 282.	✓	✓	✓	
	283	Brake operation time at stop	0.1s	0.3s	0–5s	Pr. 292 = 7: Set the mechanical delay time until the brake is closed + 0.1s. Pr. 292 = 8: Set the mechanical delay time until the brake is closed + about 0.2 to 0.3 seconds.	✓	✓	✓	
	292	Automatic acceleration/ deceleration	1	0	0/1/7/8/11	Brake sequence function is made valid when a setting is "7 or 8".				
Drop control AD MFVC	286	Droop gain	0.1%	0%	0	Droop control is invalid	✓	✓	✓	6-297
					0.1–100%	Set the drooping amount at the rated torque as a percentage with respect to the rated motor frequency.				
	287	Droop filter time constant	0.01s	0.3s	0–1s	Set the time constant of the primary delay filter applied to the torque current.	✓	✓	✓	

Tab. 6-1: Parameter overview (25)

Function	Parameter	Name	Increments	Initial Value	Setting Range	Description	Parameter-Copy	Parameter-Clear	All Parameter-Clear	Refer to Page
							✓: Enabled —: Disabled			
—	292 293	Refer to Pr. 61								
Setting of the magnitude of frequency change by the setting dial	295	Magnitude of frequency change setting	0.01	0	0	Invalid	✓	✓	✓	6-315
					0/0.01/ 0.1/1/10	The setting increments when the set frequency is changed by the setting dial can be set.				
Password function	296	Password lock level	1	9999	0-6/99/ 100-106/ 199	Select restriction level of parameter reading/writing when a password is registered.	✓	—	✓	6-199
					9999	No password lock				
	297	Password lock/unlock	1	9999	1000-9998	Register a 4-digit password	✓	✓ <sup>①</sup>	✓	
					(0-5)	Displays password unlock error count. (Reading only) (Valid when Pr. 296 = "100" to "106")				
—	298 299	Refer to Pr. 57								
Communication	338	Communication operation command source	1	0	0	Operation command source communication	✓	✓ <sup>②</sup>	✓ <sup>②</sup>	6-218
					1	Operation command source external (start/stop)				
	339	Communication speed command source	1	0	0	Speed command source communication	✓	✓ <sup>②</sup>	✓ <sup>②</sup>	
					1	Speed command source external (Frequency setting from communication is invalid, terminal 2 setting from external is valid)				
					2	Speed command source external (Frequency setting from communication is valid, terminal 2 setting from external is invalid)				
	550	NET mode operation command source selection	1	9999	0	Communication option valid	✓	✓ <sup>②</sup>	✓ <sup>②</sup>	
					2	PU connector valid				
	551	PU mode operation command source selection	1	9999	9999	Automatic recognition of the communication option Normally, PU connector is valid. Communication option is valid when the communication option is mounted.	✓	✓ <sup>②</sup>	✓ <sup>②</sup>	
					2	Selects the PU connector as the PU operation mode control source				
					3	Selects the USB connector as the PU operation mode control source.				
					4	Selects the operation panel as the PU operation mode control source.				
	—	340	Refer to Pr. 79							
—	342 343	Refer to Pr. 117 to Pr. 124								
—	450	Refer to Pr. 71								

Tab. 6-1: Parameter overview (26)

- ① Available only for the three-phase power input model.
- ② These parameters are communication parameters that are not cleared when parameter clear (all clear) is executed from RS-485 communication. (Refer to section 6.19 for RS-485 communication).

Function	Parameter	Name	Increments	Initial Value	Setting Range	Description	Parameter-Copy	Parameter-Clear	All Parameter-Clear	Refer to Page	
							✓: Enabled —: Disabled				
Remote output function (REM signal)	495	Remote output selection	1	0	0	Remote output data clear at powering off	✓	✓	✓	6-133	
					1	Remote output data retention at powering off					Remote output data clear at inverter reset
					10	Remote output data clear at powering off					Remote output data retention at inverter reset
					11	Remote output data retention at powering off					
496	Remote output data 1	1	0	0–4095	Output terminal can be switched on and off.	—	—	—			
497	Remote output data 2	1	0	0–4095		—	—	—			
—	502	Refer to Pr. 124									
Maintenance of parts	503	Maintenance timer	1	0	0 (1–9998)	Display the cumulative energizing time of the inverter in 100h increments. Reading only Writing the setting of "0" clears the cumulative energizing time.	—	—	—	6-307	
	504	Maintenance timer alarm output set time	1	9999	0–9998	Set the time taken until when the maintenance timer alarm output signal (Y95) is output.	✓	—	✓		
					9999	No function					
Inverter setup using USB communication	547	USB communication station number	1	0	0–31	Specifies the inverter station number.	✓	✓ <sup>①</sup>	✓ <sup>①</sup>	6-276	
	548	USB communication check time interval	0.1s	9999	0	USB communication is enabled. However, the inverter will come to an alarm stop (E.USB) if operation is changed to PU operation mode.	✓	✓ <sup>①</sup>	✓ <sup>①</sup>		
					0.1–999.8s	Set the interval of communication check time.					
					9999	No communication check					
551	Refer to Pr. 338 to Pr. 339										
—	549	Refer to Pr. 117 to Pr. 124									
—	550 551	Refer to Pr. 338 and Pr. 339									

**Tab. 6-1:** Parameter overview (27)

① These parameters are communication parameters that are not cleared when parameter clear (all clear) is executed from RS-485 communication. (Refer to section 6.19 for RS-485 communication.)

Function	Parameter	Name	Increments	Initial Value	Setting Range	Description	Parameter-Copy	Parameter-Clear	All Parameter-Clear	Refer to Page
							✓: Enabled —: Disabled			
Current average monitor signal	555	Current average time	0.1s	1s	0.1–1.0s	Set the time taken to average the current during start bit output (1s).	✓	✓	✓	6-308
	556	Data output mask time	0.1s	0s	0.0–20.0s	Set the time for not obtaining (mask) transient state data.	✓	✓	✓	
	557	Current average value monitor signal output reference current	0.01A	Rated inverter current	0–500A	Set the reference (100%) for outputting the signal of the current average value	✓	✓	✓	
—	563 564	Refer to Pr. 52								
	571	Refer to Pr. 13								
	611	Refer to Pr. 57								
	645	Refer to Pr. C1 (901)								
Reduce mechanical resonance	653	Speed smoothing control	0.1%	0	0–200%	The torque fluctuation is reduced to reduce vibration due to mechanical resonance.	✓	✓	✓	6-174
—	665	Refer to Pr. 882								
	800	Refer to Pr. 80								
	859	Refer to Pr. 84								
	872	Refer to Pr. 251								
Regeneration avoidance function	882	Regeneration avoidance operation selection	1	0	0	Regeneration avoidance function invalid	✓	✓	✓	6-298
					1	Regeneration avoidance function is always valid				
					2	Regeneration avoidance function is valid only during a constant speed operation				
	883	Regeneration avoidance operation level	0.1V	400V/ 780V *	300–800V	Set the bus voltage level at which regeneration avoidance operates. When the bus voltage level is set to low, overvoltage error will be less apt to occur. However, the actual deceleration time increases. The set value must be higher than the "power supply voltage $\times \sqrt{2}$ ". * The initial value differs according to the voltage class: 200V/400V	✓	✓	✓	
9999	Frequency limit invalid									
886	Regeneration avoidance voltage gain	0.1%	100%	0–200%	Adjusts responsiveness at activation of regeneration avoidance. A larger setting of Pr. 886 will improve responsiveness to the bus voltage change. However, the output frequency could become unstable.	✓	✓	✓		
									665	Regeneration avoidance frequency gain

Tab. 6-1: Parameter overview (28)

Function	Parameter		Increments	Initial Value	Setting Range	Description	Parameter-Copy	Parameter-Clear	All Parameter-Clear	Refer to Page
	Name	Related Parameters								
Free parameter	888	Free parameter 1	1	9999	0–9999	Parameters you can use for your own purposes. Used for maintenance, management, etc. by setting a unique number to each inverter when multiple inverters are used. Data is held even if the inverter power is turned off.	✓	—	—	6-312
	889	Free parameter 2	1	9999	0–9999		✓	—	—	
Adjustment of terminal AM output (calibration)	C1 (901)	AM terminal calibration	—	—	—	Calibrate the scale of the analog meter connected to terminal AM.	✓	—	✓	6-148
	645	AM 0V adjustment	1	1000	970–1200	Calibrates the scale of the meter when analog output is 0.	✓	—	✓	
—	C2 (902) – C7 (905)	Refer to Pr. 125 and Pr. 126								
—	C22 (922) – C25 (923)	Parameter for manufacturer setting. Do not set.								
Buzzer control of the operation panel	990	PU buzzer control	1	1	0	Without buzzer	✓	✓	✓	6-316
					1	With buzzer				
Contrast adjustment of the parameter unit	991	PU contrast adjustment	1	58	0–63	Contrast adjustment of the LCD of the parameter unit (FR-PU04) can be performed. 0 (light) → 63 (dark)	✓	✓	✓	6-316
Clear parameters, initial value change list	Pr.CL	Parameter clear	1	0	0/1	Setting "1" returns all parameters except calibration parameters to the initial values.				4-16
	ALLC	All parameter clear	1	0	0/1	Setting "1" returns all parameters to the initial values.				4-16
	Er.CL	Fault history clear	1	0	0/1	Setting "1" will clear eight past alarms.				7-20
	Pr.CH	Initial value change list	1	0	0	Displays the parameters changed from the initial value.				4-17

**Tab. 6-1:** Parameter overview (29)

**NOTE**

The parameter number in parentheses is the one for use with the parameter unit (FR-PU04/FR-PU07).

## 6.2 Control mode

V/F control (initial setting), advanced magnetic flux vector control and general-purpose magnetic flux vector control are available with the inverter FR-E700SC.

### V/F control

It controls frequency and voltage so that the ratio of frequency (f) to voltage (V) is constant when changing frequency.

### Advanced (general-purpose) magnetic flux vector control

- This control divides the inverter output current into an excitation current and a torque current by vector calculation and makes voltage compensation to flow a motor current which meets the load torque. Before operation of a motor in advanced magnetic flux vector control, the self-setting of motor data must occur.
- General-purpose magnetic flux vector control is the same function as the FR-E500 series. For other cases, select advanced magnetic flux vector control.

If the following conditions are not satisfied, select V/F control since malfunction such as insufficient torque and uneven rotation may occur.

- The motor capacity should be equal to or one rank lower than the inverter capacity.
- Motor to be used is any of Mitsubishi standard motor, high efficiency motor (SF-JR, SF-HR 0.2kW or more) or Mitsubishi constant torque motor (SF-JRCA four-pole, SF-HRCA 0.2kW to 15kW). When using a motor other than the above (other manufacturer's motor), perform offline auto tuning without fail.
- Single-motor operation (one motor run by one inverter) should be performed.
- Wiring length from inverter to motor should be within 30m. (Perform offline auto tuning in the state where wiring work is performed when the wiring length exceeds 30m.)

### 6.2.1 Change the control method (Pr. 80, Pr. 81, Pr. 800)

Set when selecting the control method for advanced magnetic flux vector control and general-purpose magnetic flux vector control. The initial value is V/F control.

- Select a control mode using Pr. 800 "Control method selection".

Pr. No.	Name	Initial Value	Setting Range	Description		Parameters referred to	Refer to Section	
80	Motor capacity	9999	0.1–15kW	Set the applied motor capacity.		Advanced magnetic flux vector control	6.3.2	
			9999	V/F control				General-purpose magnetic flux vector control
81	Number of motor poles	9999	2/4/6/8/10	Set the number of motor poles.		178–184	Input terminal function selection	
			9999	V/F control				6.10.1
800	Control method selection	20	20	V/F control	Advanced magnetic flux vector control <sup>①</sup>	450	Second applied motor	6.8.2
			30		General-purpose magnetic flux vector control <sup>①</sup>	44	Second acceleration/ deceleration time	6.7.1
						45	Second deceleration time	6.7.1
						46	Second torque boost	6.3.1
						47	Second V/F (base frequency)	6.5.1
						48	Second stall prevention operation current	6.3.5
						51	Second electronic thermal O/L relay	6.8.1

<sup>①</sup> Set a value other than "9999" in Pr. 80 and Pr. 81.

#### Setting of the motor capacity and the number of motor poles (Pr. 80, Pr. 81)

- Motor specifications (motor capacity and number of motor poles) must be set to select advanced magnetic flux vector control or general-purpose magnetic flux vector control.
- Set the motor capacity (kW) in Pr. 80 "Motor capacity" and set the number of motor poles in Pr. 81 "Number of motor poles".

#### Selection of control method

Select the inverter control method for V/F control, advanced magnetic flux vector control, and general-purpose magnetic flux vector control.

Pr. 80, Pr. 81	Pr. 800	Control Method
≠ 9999	20 (Pr. 800 initial value)	Advanced magnetic flux vector control
	30	General-purpose magnetic flux vector control
9999 (Pr. 80, Pr. 81 initial value)	— <sup>①</sup>	V/F control

**Tab. 6-2:** Selection of control method

<sup>①</sup> Control method is V/F control regardless of the setting value of Pr. 800 when "9999" is set in Pr. 80 "Motor capacity" or Pr. 81 "Number of motor poles".

**Control method switching by external terminals (X18 signal)**

- Use the V/F switchover signal (X18) to change the control method (between V/F control and Advanced magnetic flux vector control (General-purpose magnetic flux vector control)) with external terminal.
- Turn the X18 signal on to change the currently selected control method (advanced magnetic flux vector control or general-purpose magnetic flux vector control) to V/F control.

For the terminal used for X18 signal input, set "18" in any of Pr. 178 to Pr. 184 "Input terminal function selection" to assign the function.

**NOTES**

Switch the control method using external terminal (X18 signal) during an inverter stop. If control method between V/F control and Advanced (General-purpose) magnetic flux vector control is switched during the operation, the actual switchover does not take place until the inverter stops. In addition, if control method is switched to V/F control during the operation, only second function becomes valid as V/F control and second functions are selected simultaneously in V/F control.

Changing the terminal assignment using Pr. 178 to Pr. 184 "Input terminal function selection" may affect the other functions. Make setting after confirming the function of each terminal.



## 6.3 Adjust the output torque (current) of the motor

Purpose	Parameter that must be set		Refer to Section
Set starting torque manually	Manual torque boost	Pr. 0, Pr. 46,	6.3.1
Automatically control output current according to load	Advanced magnetic flux vector control, General-purpose magnetic flux vector control	Pr. 71, Pr. 80, Pr. 81, Pr. 90, Pr. 450, Pr. 800	6.3.2 6.3.3
Compensate for motor slip to secure low-speed torque	Slip compensation (V/F control and general-purpose magnetic flux vector control only)	Pr. 245–Pr. 247	6.3.4
Limit output current to prevent inverter trip	Stall prevention operation	Pr. 22, Pr. 23, Pr. 66, Pr. 156, Pr. 157	6.3.5

### 6.3.1 Manual torque boost (Pr. 0, Pr. 46)

You can compensate for a voltage drop in the low-frequency region to improve motor torque reduction in the low-speed range. Motor torque in the low-frequency range can be adjusted to the load to increase the starting motor torque.

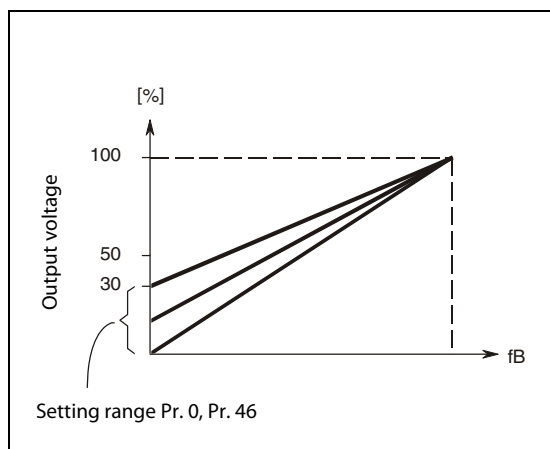
Switch-over between parameters 0 and 46 is possible via the RT input signal.

Pr. No.	Name	Initial Value		Setting Range	Description	Parameters referred to	Refer to Section
0	Torque boost	FR-E720S-008SC to 050SC, FR-E740-016SC and 026SC	6%	0–30%	Set the output voltage at 0Hz as %.	3 Base frequency 19 Base frequency voltage 71 Applied motor 178–184 Input terminal function selection	6.5.1 6.5.1 6.8.2 6.10.1
		FR-E720S-080SC and 110SC, FR-E740-040SC to 095SC	4%				
		FR-E740-120SC and 170SC	3%				
		FR-E740-230SC and 300SC	2%				
46	Second torque boost <sup>①</sup>	9999		0–30%	Set the torque boost value when the RT signal is on.		
				9999	Without second torque boost		

<sup>①</sup> The above parameter can be set when Pr. 160 "User group read selection" = 0.

### Starting torque adjustment

The set value indicates the percentage of the maximum output voltage at 0Hz by which the output voltage is increased. The voltage increases in direct proportion to the frequency from the time of start-up until the operating frequency and voltage have been reached..



**Fig. 6-1:**

*Relationship between output frequency and output voltage*

1000001C



**CAUTION:**

***This setting should be made with great care.***

***If the set value is too high then the motor is operated with overvoltage and reaches magnetic saturation. The current consumption rises dramatically in a saturated motor without any concomitant improvement in torque. Adjust the parameter little by little (about 0.5%), and check the motor status each time. If the setting is too large, the motor will overheat. The guideline is about 10% at the greatest.***

***The requirements of the motor manufacturer must also be observed.***

### Set multiple base frequencies (RT signal, Pr. 46)

Use the second torque boost when changing the torque boost according to application or when using multiple motors by switching between them by one inverter.

Pr. 46 "Second torque boost" is made valid when the RT signal turns on. For the terminal used for RT signal input, set "3" in any of Pr. 178 to Pr. 184.

**NOTES**

The RT signal acts as the second function selection signal and makes the other second functions valid. (Refer to section 6.10.3.)


The amount of current flows in the motor may become large according to the conditions such as the motor characteristics, load, acceleration/deceleration time, wiring length, etc., resulting in an overcurrent trip (OL (overcurrent alarm) then E.OC1 (overcurrent trip during acceleration), overload trip (E.THM (motor overload trip), or E.THT (inverter overload trip). (When a fault occurs, release the start command, and decrease the Pr. 0 setting 1% by 1% to reset.)

The Pr. 0, Pr. 46 settings are valid only when V/F control is selected.

When using the inverter dedicated motor (constant torque motor) with the FR-E740-120SC and 170SC, set torque boost value to 2%. When Pr. 0 = 3% (initial value), if Pr. 71 value is changed to the setting for use with a constant-torque motor, the Pr. 0 setting changes to 2%.

Changing the terminal assignment using Pr. 178 to Pr. 189 "Input terminal function selection" may affect the other functions. Please make setting after confirming the function of each terminal.

### 6.3.2 Advanced magnetic flux vector control

(Pr. 71, Pr. 80, Pr. 81, Pr. 89, Pr. 800) 

Advanced magnetic flux vector control can be selected by setting the capacity, poles and type of the motor used in Pr. 80 and Pr. 81.

- Advanced magnetic flux vector control?

The low speed torque can be improved by providing voltage compensation so that the motor current which meets the load torque to flow. Output frequency compensation (slip compensation) is made so that the motor actual speed approximates a speed command value. Effective when load fluctuates drastically, etc.

When the FR-E500 series used for general-purpose magnetic flux vector control was replaced, select general-purpose magnetic flux vector control only when the same operation characteristic is necessary.

Pr. No.	Name	Initial Value	Setting Range	Description
<b>71</b>	Applied motor	0	0/1/3-6/13-16/ 23/24/40/43/44/ 50/53/54	By selecting a standard motor or constant-torque motor, thermal characteristic and motor constants of each motor are set.
<b>80</b>	Motor capacity	9999	0.1-15kW	Set the applied motor capacity.
			9999	V/F control
<b>81</b>	Number of motor poles	9999	2/4/6/8/10	Set the number of motor poles.
			9999	V/F control
<b>89</b>	Speed control gain (advanced magnetic flux vector)	9999	0-200%	Motor speed fluctuation due to load fluctuation is adjusted during advanced magnetic flux vector control. 100% is a referenced value.
			9999	Gain matching with the motor set in Pr. 71.
<b>800</b>	Control method selection	20	20	Advanced magnetic flux vector control <sup>①</sup>
			30	General-purpose magnetic flux vector control <sup>①</sup>

Parameters referred to	Refer to Section
71 Applied motor	6.8.2
450 Second applied motor	6.8.2
800 Control method selection	6.2.1

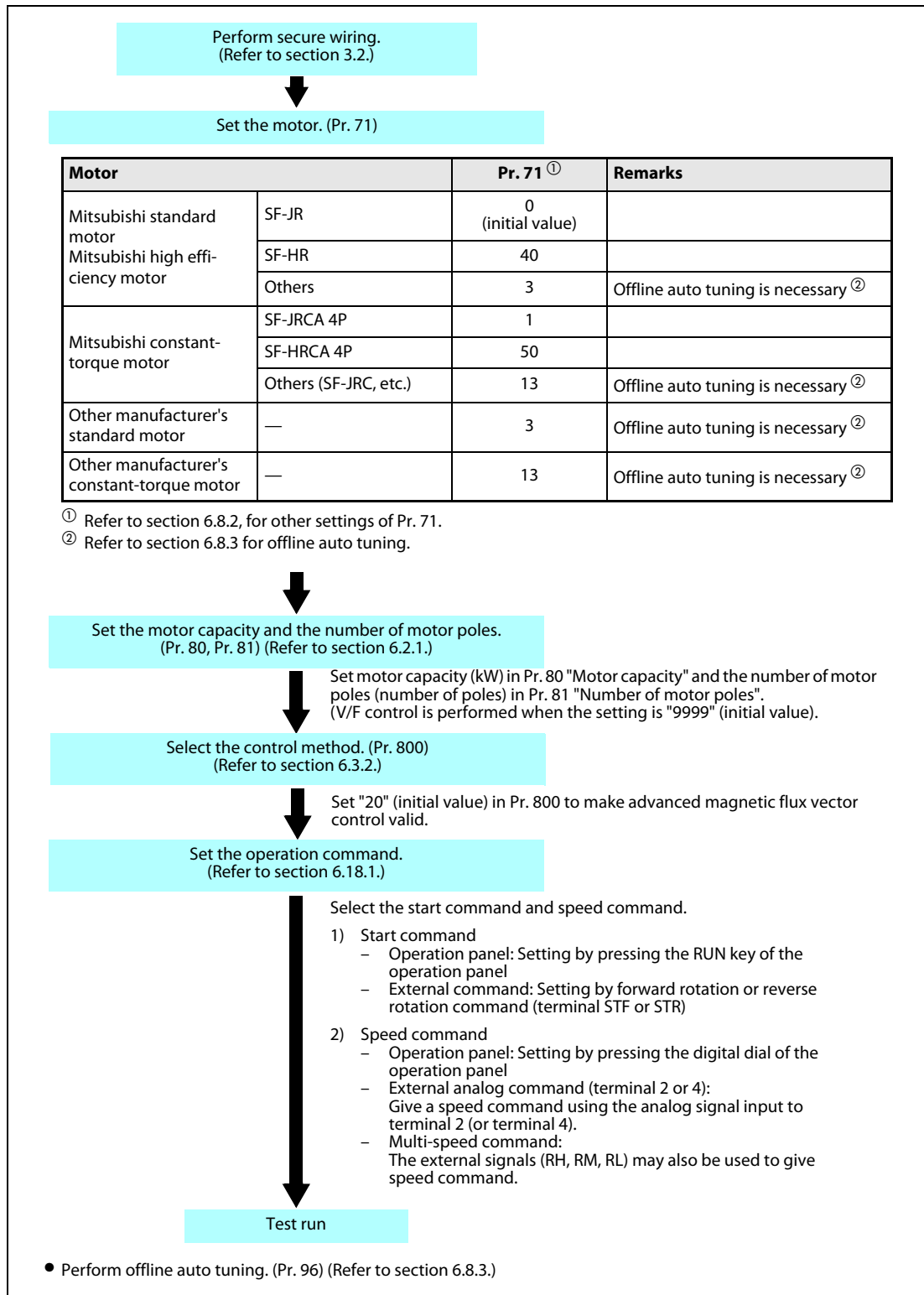
The above parameters can be set when Pr. 160 "User group read selection" = 0.

<sup>①</sup> Set a value other than "9999" in Pr. 80 and Pr. 81.

If the following conditions are not satisfied, select V/F control since malfunction such as insufficient torque and uneven rotation may occur.

- The motor capacity should be equal to or one rank lower than the inverter capacity.
- Motor to be used is any of Mitsubishi standard motor, high efficiency motor (SF-JR, SF-HR 0.2kW or more) or Mitsubishi constant-torque motor (SF-JRCA four-pole, SF-HRCA 0.2kW to 15kW). When using a motor other than the above (other manufacturer's motor), perform offline auto tuning without fail.
- Single-motor operation (one motor run by one inverter) should be performed.
- The wiring length from inverter to motor should be within 30m. (Perform offline auto tuning in the state where wiring work is performed when the wiring length exceeds 30m.)
- Permissible wiring length between inverter and motor differs according to the inverter capacity and setting value of Pr. 72 "PWM frequency selection" (carrier frequency) (refer to page 3-12).

**Selection method of advanced magnetic flux vector control**



**Fig. 6-2:** Selection method of advanced magnetic flux vector control

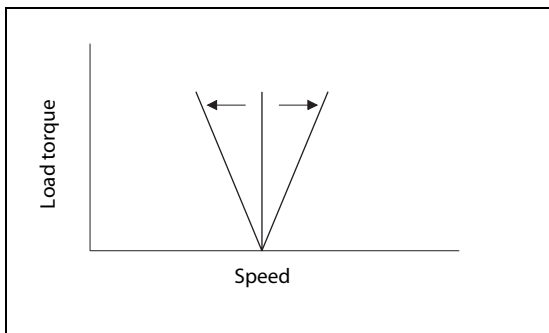
**NOTES**

Uneven rotation slightly increases as compared to the V/F control. It is not suitable for machines such as grinding machine and wrapping machine which requires less uneven rotation at low speed.

When a surge voltage suppression filter (FFR-DT) is connected between the inverter and motor, output torque may decrease.

**Adjust the motor speed fluctuation at load fluctuation**

The motor speed fluctuation at load fluctuation can be adjusted using Pr. 89. (It is useful when the speed command does not match the motor speed after the FR-E500 series inverter is replaced with the FR-E700SC series inverter, etc.)



**Fig. 6-3:**  
*Adjustment of speed fluctuations*

1001544E

### 6.3.3 General-purpose magnetic flux vector control (Pr. 71, Pr. 80, Pr. 81, Pr. 800)

General-purpose magnetic flux vector control is the same function as the FR-E500 series. Select this control when the same operation characteristic is necessary. For other cases, select advanced magnetic flux vector control.

Pr. No.	Name	Initial Value	Setting Range	Description	Parameters referred to	Refer to Section
71	Applied motor	0	0/1/3-6/13-16/23/24/40/43/44/50/53/54	By selecting a standard motor or constant torque motor, thermal characteristic and motor constants of each motor are set.	3 Base frequency 19 Base frequency 71 Applied motor 77 Parameter write selection	6.5.1 6.5.1 6.8.2 6.17.2
			9999	V/F control		
80	Motor capacity	9999	0.1-15kW	Applied motor capacity.		
			9999	V/F control		
81	Number of motor poles	9999	2/4/6/8/10	Number of motor poles.		
			9999	V/F control		
800	Control method selection	20	20	Advanced magnetic flux vector control <sup>①</sup>		
			30	General-purpose magnetic flux vector control <sup>①</sup>		

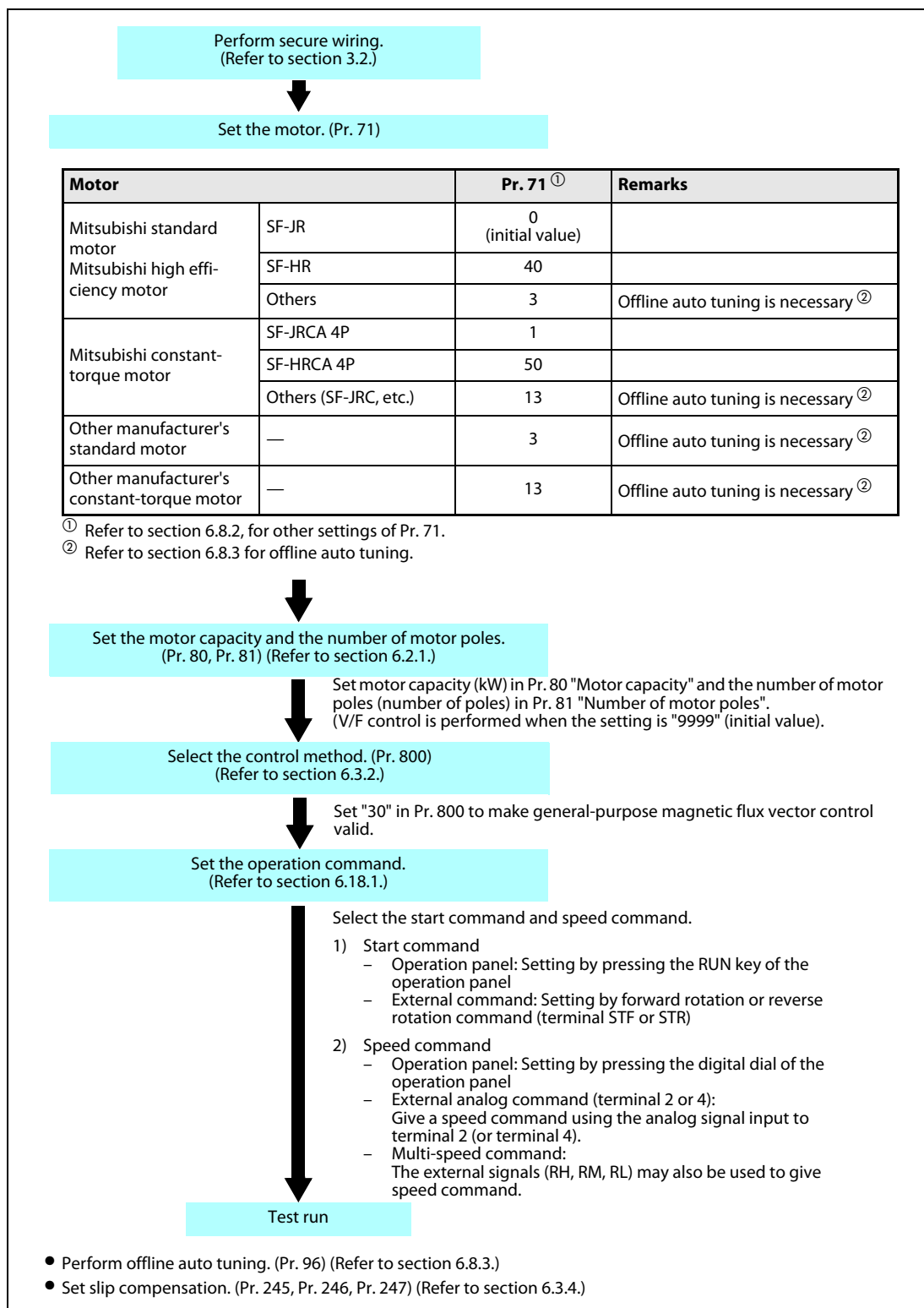
The above parameters can be set when Pr. 160 "User group read selection" = 0.

<sup>①</sup> Set a value other than "9999" in Pr. 80 and Pr. 81.

If the following conditions are not satisfied, select V/F control since malfunction such as insufficient torque and uneven rotation may occur.

- The motor capacity should be equal to or one rank lower than the inverter capacity.
- Motor to be used is any of Mitsubishi standard motor, high efficiency motor (SF-JR, SF-HR 0.2kW or more) or Mitsubishi constant-torque motor (SF-JRCA four-pole, SF-HRCA 0.2kW to 15kW). When using a motor other than the above (other manufacturer's motor), perform offline auto tuning without fail.
- Single-motor operation (one motor run by one inverter) should be performed.
- The wiring length from inverter to motor should be within 30m. (Perform offline auto tuning in the state where wiring work is performed when the wiring length exceeds 30m.)
- Permissible wiring length between inverter and motor differs according to the inverter capacity and setting value of Pr. 72 "PWM frequency selection" (carrier frequency) (refer to page 3-12).

**Selection method of general-purpose magnetic flux vector control**



**Fig. 6-4:** Selection method of general-purpose magnetic flux vector control

**NOTES**

Uneven rotation slightly increases as compared to the V/F control. It is not suitable for machines such as grinding machine and wrapping machine which requires less uneven rotation at low speed.

When a surge voltage suppression filter (FFR-DT) is connected between the inverter and motor, output torque may decrease.



### 6.3.4 Slip compensation (Pr. 245 to Pr. 247)

When V/F control or general-purpose magnetic flux vector control is performed, the inverter output current may be used to assume motor slip to keep the motor speed constant.

Pr. No.	Name	Initial Value	Setting Range	Description	Parameters referred to	Refer to Section
245	Rated slip	9999	0.01–50%	Rated motor slip.	1 Maximum frequency 3 Base frequency	6.4.1 6.5.1
			0/9999	No slip compensation		
246	Slip compensation time constant	0.5s	0.01–10s	Slip compensation response time. When the value is made smaller, response will be faster. However, as load inertia is greater, a regenerative overvoltage fault (E.OV□) is more liable to occur.		
247	Constant-output region slip compensation selection	9999	0	Slip compensation is not made in the constant power range (frequency range above the frequency set in Pr. 3)		
			9999	Slip compensation is made in the constant power range.		

The above parameters can be set when Pr. 160 "User group read selection" = 0.

Slip compensation is validated when the motor rated slip calculated by the following formula is set to Pr. 245. Slip compensation is not made when Pr. 245 = 0 or 9999.

$$\text{Rated slip} = \frac{\text{Synchronous speed at base frequency} - \text{Rated speed}}{\text{Synchronous speed at base frequency}} \times 100\%$$

#### NOTES

When performing slip compensation, the output frequency may become greater than the set frequency. Set the Pr. 1 "Maximum frequency" value a little higher than the set frequency.

Slip compensation is always valid when advanced magnetic flux vector control is selected, the Pr. 245 to Pr. 247 settings are invalid.

### 6.3.5 Stall prevention operation (Pr. 22, Pr. 23, Pr. 48, Pr. 66, Pr. 156, Pr. 157, Pr. 277)

This function monitors the output current and automatically changes the output frequency to prevent the inverter from coming to trip due to overcurrent, overvoltage, etc. In addition, simple torque limit which limits the output torque to the predetermined value can be selected. It can also limit stall prevention and fast-response current limit operation during acceleration/deceleration, driving or regeneration.

- **Stall prevention**  
If the output current exceeds the stall prevention operation level, the output frequency of the inverter is automatically varied to reduce the output current.
- **Fast-response current limit**  
If the current exceeds the limit value, the output of the inverter is shut off to prevent an overcurrent.
- **Torque limit**  
The inverter output frequency is controlled so that the output torque (torque current) will not exceed the stall prevention operation level (motor rated torque is referenced).

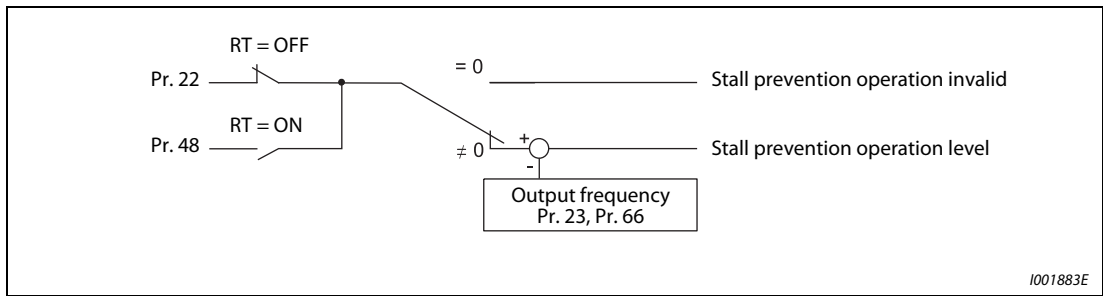
Pr. No.	Name	Initial Value	Setting Range	Description
22	Stall prevention operation level ①	150%	0	Stall prevention operation invalid
			0.1–200%	Set the current value to start the stall prevention operation.
23	Stall prevention operation level compensation factor at double speed	9999	0–200%	The stall operation level can be reduced when operating at a high speed above the rated frequency.
			9999	Constant according to Pr. 22.
48	Second stall prevention operation current	9999	0	Stall prevention operation invalid
			0.1–200%	Second stall prevention operation level
			9999	Same level as Pr. 22.
66	Stall prevention operation reduction starting frequency	50Hz	0–400Hz	Set the frequency at which the stall operation level is started to reduce.
156	Stall prevention operation selection	0	0–31/ 100/101	Select whether stall prevention operation and fast-response current limit operation will be performed or not.
157	OL signal output timer	0s	0–25s	Output start time of the OL signal output when stall prevention is activated.
			9999	Without the OL signal output
277	Stall prevention operation current switchover	0	0	Output current is the limit level
			1	Output torque (torque current) is the limit level

Parameters referred to	Refer to Section
3 Base frequency	6.5.1
178–184 Input terminal function selection	6.10.1
190–192 Output terminal function selection	6.10.5

The above parameters can be set when Pr. 160 "User group read selection" = 0.

- ① This parameter allows its setting to be changed during operation in any operation mode even if "0" (initial value) is set in Pr. 77 "Parameter write selection".

**Block diagram**



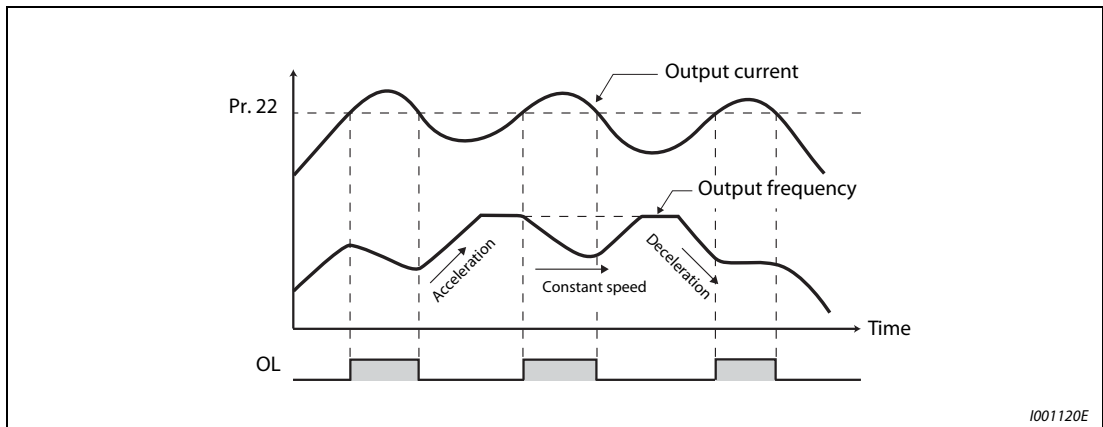
**Fig. 6-5:** Stall prevention block diagram

**Setting of stall prevention operation level (Pr. 22)**

Set in Pr. 22 the percentage of the output current to the rated inverter current at which stall prevention operation will be performed. Normally set this parameter to 150% (initial value).

Stall prevention operation stops acceleration (makes deceleration) during acceleration, makes deceleration during constant speed, and stops deceleration (makes acceleration) during deceleration.

When stall prevention operation is performed, the OL signal is output.



**Fig. 6-6:** Stall prevention operation example

**NOTE**

If an overload status lasts long, an inverter trip (e.g. electronic thermal relay function "E.THM") may occur.

**A machine protection and load limit by torque limit (Pr. 277)**

When Pr. 277 "Stall prevention current switchover" = 1, torque limit can be set.

When output torque (torque current) exceeds the stall prevention operation level, the output frequency is controlled to limit the output torque. For the stall prevention operation level at this time, the motor rated torque is defined as reference.

**NOTES**

When driving multiple motors with one inverter, torque limit does not function properly.

Since magnetic flux decreases in the constant output range (Pr. 3 "Base frequency" or more), the inverter operate with lower torque than the stall prevention operation level.

When torque limit is activated during regeneration, the output frequency is increased up to the maximum frequency.

Torque limit does not function at 5Hz or less during deceleration.

Note the following when using torque limit under V/F control.

- Capacity of the inverter and motor should be the same.
- Stall prevention operation level (torque limit level) is the rated torque reference of the motor whose capacity is equivalent to the inverter.
- When Pr. 0 "Torque boost" setting is large, torque limit is likely to occur in the low speed range.
- Use the advanced magnetic flux vector control when more appropriate torque limit is necessary.

**Stall prevention operation signal output and output timing adjustment (OL signal, Pr. 157)**

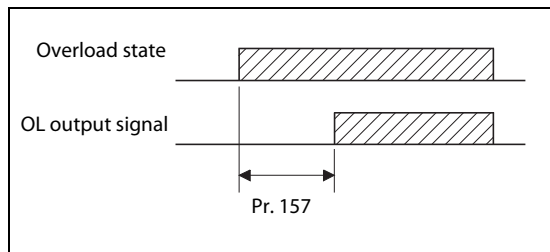
When the output current exceeds the stall prevention operation level and stall prevention is activated, the stall prevention operation signal (OL signal) turns on for longer than 100ms. When the output current falls to or below the stall prevention operation level, the output signal turns off. Use Pr. 157 "OL signal output timer" to set whether the OL signal is output immediately or after a preset period of time.

This operation is also performed when the regeneration avoidance function or oL (overvoltage stall) is executed.

For the OL signal, set "3 (positive logic) or 103 (negative logic)" in Pr. 190 to Pr. 192 "Output terminal function selection" and assign functions to the output terminal.

Pr. 157 Setting	Description
0	Output immediately.
0.1-25s	Output after the set time (s) has elapsed.
9999	Not output.

**Tab. 6-3:** Setting of parameter 157



**Fig. 6-7:** Output of the OL signal

1001330E

**NOTES**

If the frequency has fallen to 1Hz by stall prevention operation and remains for 3s, a fault (E.OLT) appears to trip the inverter output.

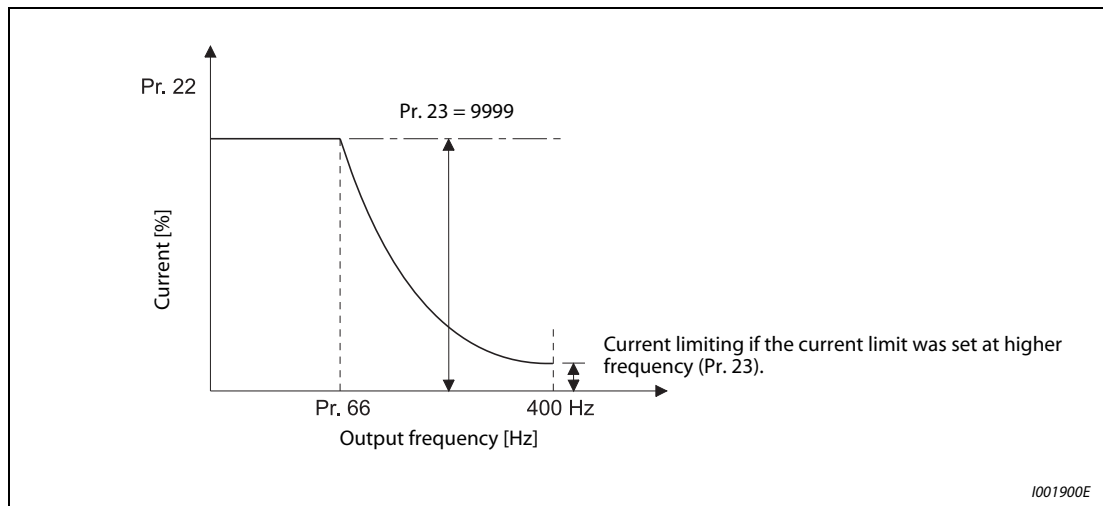
Changing the terminal assignment using Pr. 190 to Pr. 192 "Output terminal function selection" may affect the other functions. Make setting after confirming the function of each terminal.

**Setting of stall prevention operation in high frequency range (Pr. 22, Pr. 23, Pr. 66)**

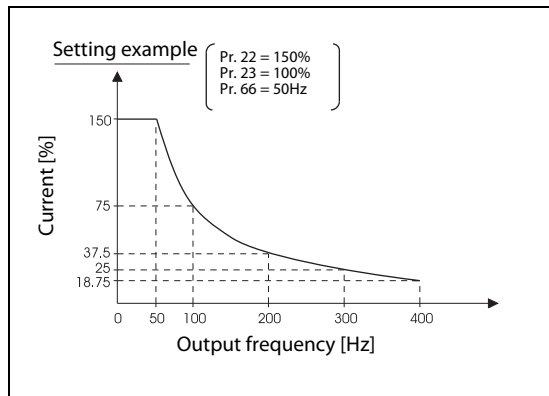
During high-speed operation above the rated motor frequency, acceleration may not be made because the motor current does not increase. If operation is performed in a high frequency range, the current at motor lockup becomes smaller than the rated output current of the inverter, and the protective function (OL) is not executed if the motor is at a stop.

To improve the operating characteristics of the motor in this case, the stall prevention level can be reduced in the high frequency region. This function is effective for performing operation up to the high-speed range on a centrifugal separator etc.

Pr. 23 sets the change in the current limiting in the frequency range starting at the frequency set by Pr. 66. For example, if Pr. 66 is set to 75Hz the motor stall prevention operation level at an output frequency of 150Hz will be reduced to 75% when Pr. 23 is set to 100%, and to 66% when Pr. 23 is set to 50% (see the formula below). Generally Pr. 66 is set to 50Hz and Pr. 23 to 100%.



**Fig. 6-8:** Stall prevention operation level



**Fig. 6-9:**

Stall prevention operation level when  
Pr. 22 = 150%, Pr. 23 = 100% and Pr. 66 = 50Hz

Formula for stall prevention operation level:

$$\text{Stall prevention operation level [\%]} = A + B \times \left[ \frac{\text{Pr. 22} - A}{\text{Pr. 22} - B} \right] \times \left[ \frac{\text{Pr. 23} - 100}{100} \right]$$

$$\text{where } A = \frac{\text{Pr. 66 [Hz]} \times \text{Pr. 22 [\%]}}{\text{Output frequency [Hz]}}, \quad B = \frac{\text{Pr. 66 [Hz]} \times \text{Pr. 22 [\%]}}{400\text{Hz}}$$

When Pr. 23 "Stall prevention operation level compensation factor at double speed" = 9999 (initial value), the stall prevention operation level is kept constant at the Pr. 22 setting up to 400Hz.

**Set two types stall prevention operation levels (Pr. 48)**

Turning RT signal on makes Pr. 48 "Second stall prevention operation current" valid.

For the terminal used for RT signal input, set "3" in any of Pr. 178 to Pr. 184 "Input terminal function selection" to assign the function.

**NOTES**

Changing the terminal assignment using Pr. 178 to Pr. 184 "Input terminal function selection" may affect the other functions. Make setting after confirming the function of each terminal.

The RT signal acts as the second function selection signal and makes the other second functions valid.

### Limit the stall prevention operation and fast-response current limit operation according to the operating status (Pr. 156)

Refer to the following table and select whether fast-response current limit operation will be performed or not and the operation to be performed at OL signal output:

Pr. 156 Setting	Fast-Response Current Limit <sup>③</sup>	Stall Prevention Operation Level			OL Signal Output	
		Acceleration	Constant speed	Deceleration	Without Alarm	Stop with Alarm "E.OLT"
0	✓	✓	✓	✓	✓	—
1	—	✓	✓	✓	✓	—
2	✓	—	✓	✓	✓	—
3	—	—	✓	✓	✓	—
4	✓	✓	—	✓	✓	—
5	—	✓	—	✓	✓	—
6	✓	—	—	✓	✓	—
7	—	—	—	✓	✓	—
8	✓	✓	✓	—	✓	—
9	—	✓	✓	—	✓	—
10	✓	—	✓	—	✓	—
11	—	—	✓	—	✓	—
12	✓	✓	—	—	✓	—
13	—	✓	—	—	✓	—
14	✓	—	—	—	①	①
15	—	—	—	—	①	①
16	✓	✓	✓	✓	—	✓
17	—	✓	✓	✓	—	✓
18	✓	—	✓	✓	—	✓
19	—	—	✓	✓	—	✓
20	✓	✓	—	✓	—	✓
21	—	✓	—	✓	—	✓
22	✓	—	—	✓	—	✓
23	—	—	—	✓	—	✓
24	✓	✓	✓	—	—	✓
25	—	✓	✓	—	—	✓
26	✓	—	✓	—	—	✓
27	—	—	✓	—	—	✓
28	✓	✓	—	—	—	✓
29	—	✓	—	—	—	✓
30	✓	—	—	—	①	①
31	—	—	—	—	①	①
100 D <sup>②</sup>	✓	✓	✓	✓	✓	—
100 R <sup>②</sup>	—	—	—	—	①	①
101 D <sup>②</sup>	—	✓	✓	✓	✓	—
101 R <sup>②</sup>	—	—	—	—	①	①

**Tab. 6-4:** Setting of parameter 156 (D = Driving, R = Regeneration)

- ① Since both fast-response current limit and stall prevention are not activated, OL signal and E.OLT are not output.
- ② The settings "100" and "101" allow operations to be performed in the driving and regeneration modes, respectively. The setting "101" disables the fast-response current limit in the driving mode.
- ③ OL signal is not output at fast-response current limit operation.



**NOTES**

When the load is heavy or the acceleration/deceleration time is short, stall prevention is activated and acceleration/deceleration may not be made according to the preset acceleration/deceleration time. Set Pr. 156 and stall prevention operation level to the optimum values.

In vertical lift applications, make setting so that the fast-response current limit is not activated. Torque may not be produced, causing a drop due to gravity.

**CAUTION:**

- ***Do not set a small value as the stall prevention operation current. Otherwise, torque generated will reduce.***
- ***Always perform test operation.***
  - Stall prevention operation during acceleration may increase the acceleration time.***
  - Stall prevention operation performed during constant speed may cause sudden speed changes.***
  - Stall prevention operation during deceleration may increase the deceleration time, increasing the deceleration distance.***

## 6.4 Limit the output frequency

Purpose	Parameters that must be set		Refer to Section
Set upper limit and lower limit of output frequency	Maximum/minimum frequency	Pr. 1, Pr. 2, Pr. 18	6.4.1
Perform operation by avoiding machine resonance points	Frequency jump	Pr. 31–Pr. 36	6.4.2

### 6.4.1 Maximum and minimum frequency (Pr. 1, Pr. 2, Pr. 18)

You can limit the motor speed. Clamp the upper and lower limits of the output frequency.

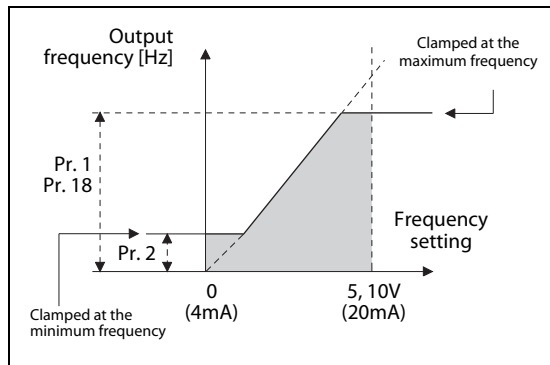
Pr. No.	Name	Initial Value	Setting Range	Description	Parameters referred to	Refer to Section
<b>1</b>	Maximum frequency	120Hz	0–120Hz	Set the upper limit of the output frequency.	13 Starting frequency 15 Jog frequency	6.7.2 6.6.2
<b>2</b>	Minimum frequency	0Hz	0–120Hz	Set the lower limit of the output frequency.	125 Terminal 2 frequency setting gain frequency 126 Terminal 4 frequency setting gain frequency	6.16.3 6.16.3
<b>18</b>	High speed maximum frequency <sup>①</sup>	120Hz	120–400Hz	Set when performing the operation at 120Hz or more		

① The above parameter can be set when Pr. 160 "User group read selection" = 0.

#### Set the maximum frequency

Set the upper limit of the output frequency in Pr. 1 "Maximum frequency". If the frequency of the frequency command entered is higher than the setting, the output frequency is clamped at the maximum frequency.

When you want to perform operation above 120Hz, set the upper limit of the output frequency to Pr. 18 "High speed maximum frequency". (When Pr. 18 is set, Pr. 1 automatically switches to the frequency of Pr. 18. When Pr. 18 is set, Pr. 18 automatically switches to the frequency of Pr. 1.)



**Fig. 6-10:** Maximum and minimum output frequency

1001100E

#### NOTE

When performing operation above 50Hz using the frequency setting analog signal, change Pr. 125 (Pr. 126) "Frequency setting gain". (Refer to section 6.16.3.) If only Pr. 1 or Pr. 18 is changed, operation above 50Hz cannot be performed.

**Set the minimum frequency**

Use Pr. 2 "Minimum frequency" to set the lower limit of the output frequency.

**NOTES**

When Pr. 15 "Jog frequency" is equal to or less than Pr. 2, the Pr. 15 setting has precedence over the Pr. 2 setting.

The output frequency is clamped by the Pr. 2 setting even the set frequency is lower than the Pr. 2 setting (The frequency will not decrease to the Pr. 2 setting.)

**CAUTION:**

*If the Pr. 2 setting is higher than the Pr. 13 "Starting frequency" value, note that the motor will run at the set frequency according to the acceleration time setting by merely switching the start signal on, without entry of the command frequency.*

### 6.4.2 Avoid mechanical resonance points (frequency jumps) (Pr. 31 to Pr. 36)

When it is desired to avoid resonance attributable to the natural frequency of a mechanical system, these parameters allow resonant frequencies to be jumped.

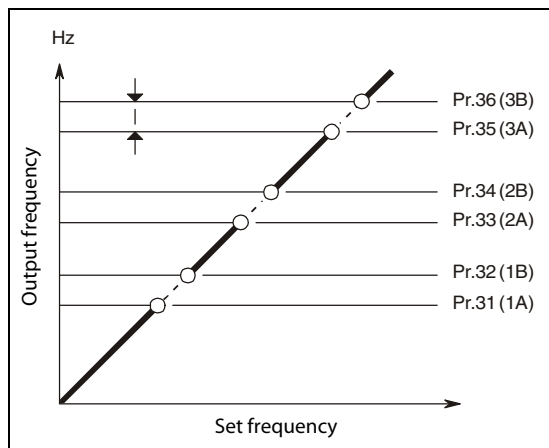
Pr. No.	Name	Initial Value	Setting Range	Description
31	Frequency jump 1A	9999	0-400Hz/9999	1A to 1B, 2A to 2B, 3A to 3B is frequency jumps 9999: Function invalid
32	Frequency jump 1B	9999	0-400Hz/9999	
33	Frequency jump 2A	9999	0-400Hz/9999	
34	Frequency jump 2B	9999	0-400Hz/9999	
35	Frequency jump 3A	9999	0-400Hz/9999	
36	Frequency jump 3B	9999	0-400Hz/9999	

Parameters referred to	Refer to Section
—	

The above parameters can be set when Pr. 160 "User group read selection" = 0.

Up to three areas may be set, with the jump frequencies set to either the top or bottom point of each area.

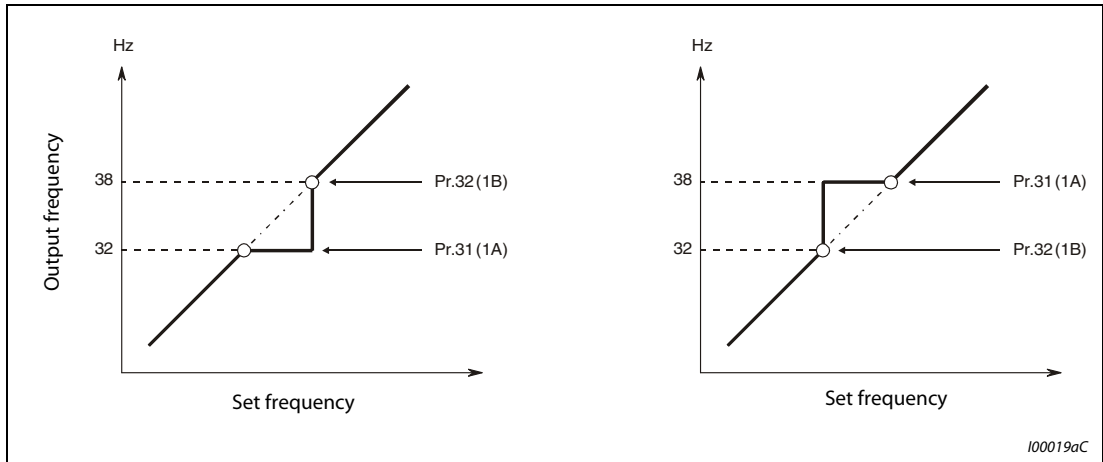
The settings of frequency jumps 1A, 2A, 3A are jump points, and operation is performed at these frequencies in the jump areas.



**Fig. 6-11:**  
Definition of the jump areas

1000019C

The following diagrams show how the jump point is selected. The diagram on the left shows a sequence in which the jump takes place at the end of the area to be jumped, for which the lower frequency must be entered first. In the diagram on the right the jump takes place at the beginning of the frequency area to be jumped, for which the higher frequency must be entered first.



**Fig. 6-12:** Selection of the jump point

**NOTE**

During acceleration/deceleration, the running frequency within the set area is valid.

## 6.5 Set V/F pattern

Purpose	Parameters that must be set	Refer to Section
Set motor ratings	Base frequency, Base frequency voltage	Pr. 3, Pr. 19, Pr. 47
Select a V/F pattern according to applications	Load pattern selection	Pr. 14

### 6.5.1 Base frequency, voltage (Pr. 3, Pr. 19, Pr. 47)

Used to adjust the inverter outputs (voltage, frequency) to the motor rating.

Pr. No.	Name	Initial Value	Setting Range	Description	Parameters referred to	Refer to Section
<b>3</b>	Base frequency	50Hz	0–400Hz	Set the frequency when the motor rated torque is generated. (50Hz/60Hz)		
<b>19</b>	Base frequency voltage <sup>①</sup>	8888	0–1000V	Set the rated motor voltage.	14 Load pattern selection	6.5.2
			8888	95% of power supply voltage	29 Acceleration/ deceleration pattern selection	6.7.3
			9999	Same as power supply voltage	83 Motor rated voltage	6.8.3
<b>47</b>	Second V/F (base frequency) <sup>①</sup>	9999	0–400Hz	Set the base frequency when the RT signal is on.	84 Rated motor frequency	6.8.3
			9999	Second V/F invalid	178–184 Input terminal function selection	6.10.1
					General-purpose magnetic flux vector control	6.3.3
					Advanced magnetic flux vector control	6.3.2

<sup>①</sup> The above parameter can be set when Pr. 160 "User group read selection" = 0.

#### Setting of base frequency (Pr. 3)

When operating a standard motor, generally set the rated frequency of the motor to Pr. 3 "Base frequency".

When running the motor using commercial power supply-inverter switch-over operation, set Pr. 3 to the same value as the power supply frequency.

If the frequency given on the motor rating plate is "60Hz" only, always set to "60Hz". It may result in an inverter trip due to overload. Caution must be taken especially when Pr. 14 "Load pattern selection" = "1" (variable torque load)

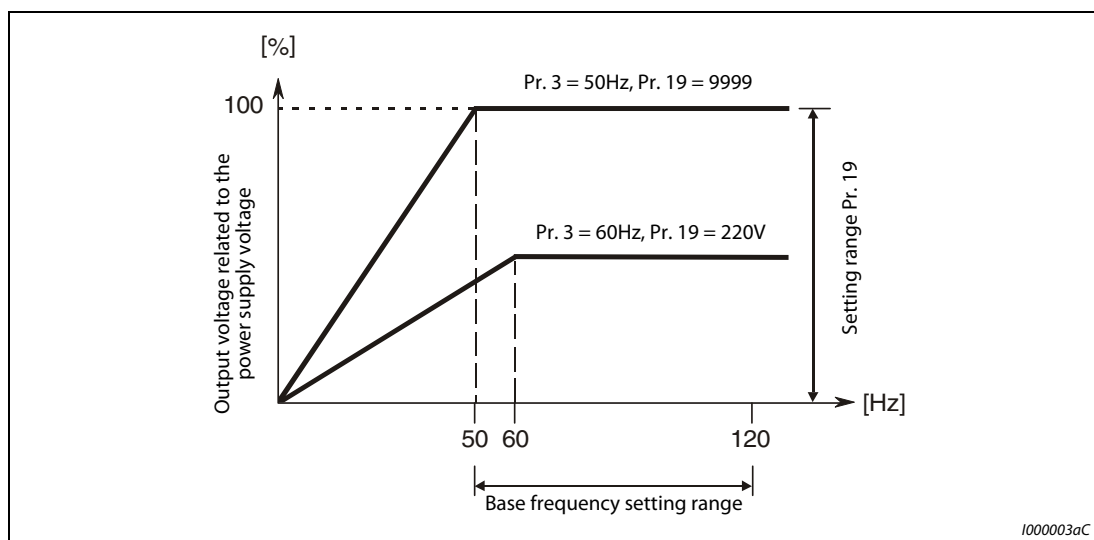


Fig. 6-13: Output voltage related to the output frequency

**Set two kinds of base frequencies (Pr. 47)**

Use the second base frequency when you want to change the base frequency, e.g. when using multiple motors by switching between them by one inverter.

Pr. 47 "Second V/F (base frequency)" is valid when the RT signal is on.

**NOTES**

The RT signal acts as the second function selection signal and makes the other second functions valid.

Set "3" in any of Pr. 178 to Pr. 184 "Input terminal function selection" and assign the RT signal.

**Base frequency voltage setting (Pr. 19)**

Use Pr. 19 "Base frequency voltage" to set the base voltage (e.g. rated motor voltage). If the setting is less than the power supply voltage, the maximum output voltage of the inverter is as set in Pr. 19.

Pr. 19 can be utilized in the following cases:

- When regeneration frequency is high (e.g. continuous regeneration)  
During regeneration, the output voltage becomes higher than the reference and may cause an overcurrent trip (E.O.C□) due to an increased motor current.
- When power supply voltage variation is large  
When the power supply voltage exceeds the rated voltage of the motor, speed variation or motor overheat may be caused by excessive torque or increased motor current.

**NOTES**

When advanced magnetic flux vector control or general-purpose magnetic flux vector control is selected, Pr. 3, Pr. 47 and Pr. 19 are invalid and Pr. 83 and Pr. 84 are valid.  
Note that Pr. 3 or Pr. 47 value is made valid as inflection points of S-pattern when Pr. 29 "Acceleration/deceleration pattern selection" = 1 (S-pattern acceleration/deceleration A).

Changing the terminal assignment using Pr. 178 to Pr. 184 "Input terminal function selection" may affect the other functions. Make setting after confirming the function of each terminal.

Note that the output voltage of the inverter cannot exceed the power supply voltage.

## 6.5.2 Load pattern selection (Pr. 14)

You can select the optimum output characteristic (V/F characteristic) for the application and load characteristics.

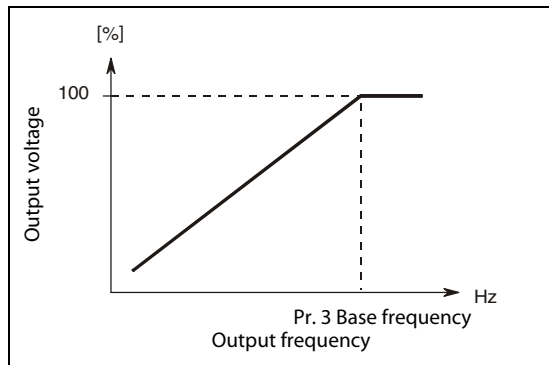
Pr. No.	Name	Initial Value	Setting Range	Description
14	Load pattern selection	0	0	For constant torque load
			1	For variable torque load
			2	For constant torque elevators (at reverse rotation boost of 0%)
			3	For constant torque elevators (at forward rotation boost of 0%)

Parameters referred to	Refer to Section
0 Torque boost	6.3.1
46 Second torque boost	6.3.1
3 Base frequency	6.5.1
178-184 Input terminal function selection	6.10.1
General-purpose magnetic flux vector control	6.3.3
Advanced magnetic flux vector control	6.3.2

The above parameter can be set when Pr. 160 "User group read selection" = 0.

### For constant-torque load (Pr. 14 = 0, initial value)

At or less than the base frequency voltage, the output voltage varies linearly with the output frequency. Set this value when driving the load whose load torque is constant if the speed varies, e.g. conveyor, cart or roll drive.

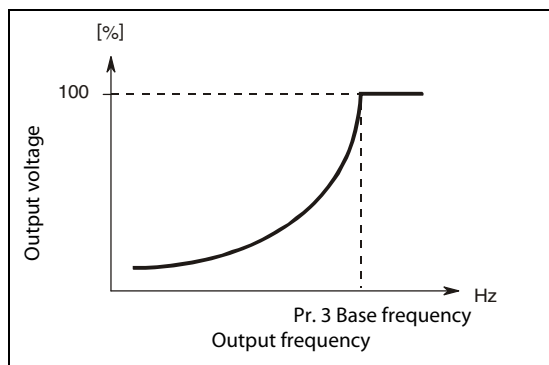


**Fig. 6-14:**  
Constant-torque load

I001322C

### For variable-torque load (Pr. 14 = 1)

At or less than the base frequency voltage, the output voltage varies with the output frequency in a square curve. Set this value when driving the load whose load torque varies in proportion to the square of the speed, e.g. fan or pump.



**Fig. 6-15:**  
Variable-torque load

I001323C

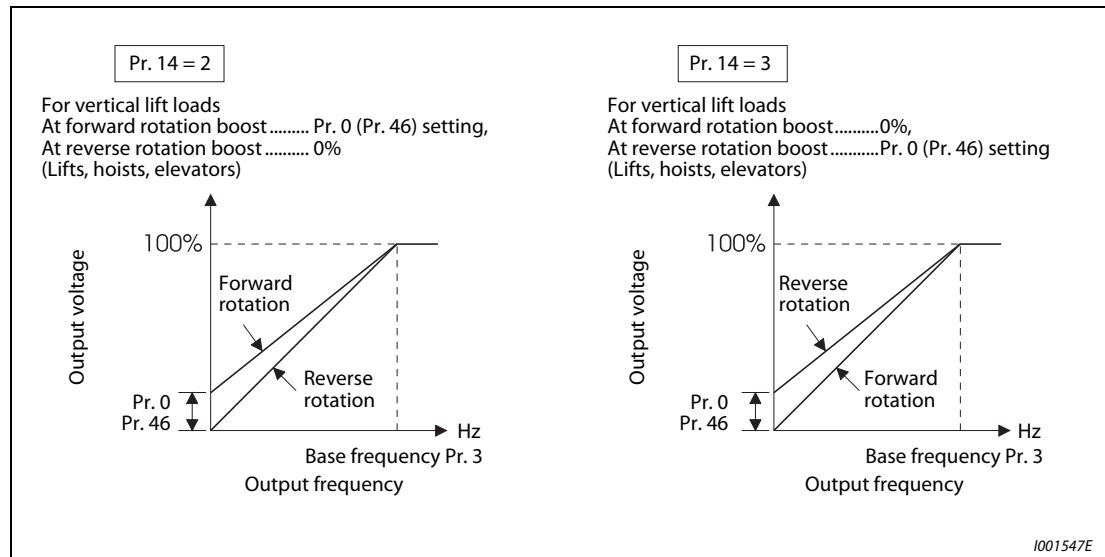


**Constant-torque load application (Pr. 14 = 2 or 3)**

Set "2" when a vertical lift load is fixed as power driving load at forward rotation and regenerative load at reverse rotation.

Pr. 0 "Torque boost" is valid during forward rotation and torque boost is automatically changed to "0%" during reverse rotation. Pr. 46 "Second torque boost" is made valid when the RT signal turns on.

Set "3" for an elevated load that is in the driving mode during reverse rotation and in the regenerative load mode during forward rotation according to the load weight, e.g. counterweight system.



**Fig. 6-16:** Characteristic with manual torque boost

**NOTES**

For the RT signal, set "3" in any of Pr. 178 to Pr. 184 "Input terminal function selection" to assign the function.

When torque is continuously regenerated as vertical lift load, it is effective to set the rated voltage in Pr. 19 "Base frequency voltage" to prevent trip due to current at regeneration.

In addition, when the RT signal is on, the other second functions are also valid.

Load pattern selection does not function under advanced magnetic flux vector control and general-purpose magnetic flux vector control.

Changing the terminal assignment using Pr. 178 to Pr. 184 "Input terminal function selection" may affect the other functions. Make setting after confirming the function of each terminal.

## 6.6 Frequency setting by external terminals

Purpose	Parameters that must be set		Refer to Section
Make frequency setting by combination of terminals	Multi-speed operation	Pr. 4–Pr. 6, Pr. 24–Pr. 27, Pr. 232–Pr. 239	6.6.1
Perform jog operation	Jog operation	Pr. 15, Pr. 16	6.6.2
Infinitely variable speed setting by terminals	Remote setting function	Pr. 59	6.6.3

### 6.6.1 Multi-speed setting operation (Pr. 4 to Pr. 6, Pr. 24 to Pr. 27, Pr. 232 to Pr. 239)

The frequency inverters have 15 fixed setting frequencies (speeds) which can be preset by the user as required via parameters 4, 5, 6, 24 to 27 as well as via parameters 232 to 239.

Any speed can be selected by merely turning on-off the contact signals (RH, RM, RL, REX signals).

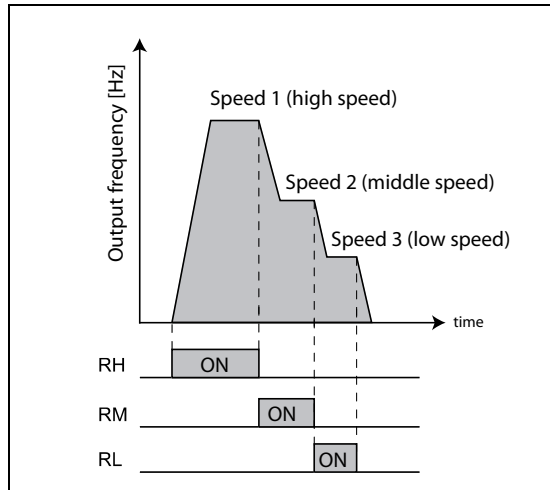
Pr. No.	Name	Initial Value	Setting Range	Description	Parameters referred to	Refer to Section
4	Multi-speed setting (high speed)	50Hz	0–400Hz	Set the frequency when RH turns on.	15 JOG frequency 59 Remote function selection 79 Operation mode selection 178–184 Input terminal function selection	6.6.2
5	Multi-speed setting (middle speed)	30Hz	0–400Hz	Set the frequency when RM turns on.		6.6.3
6	Multi-speed setting (low speed)	10Hz	0–400Hz	Set the frequency when RL turns on.		6.18.1
24	Multi-speed setting (speed 4) ①	9999	0–400Hz/9999	Frequency from speed 4 to speed 15 can be set according to the combination of the RH, RM, RL and REX signals. 9999: not selected		6.10.1
25	Multi-speed setting (speed 5) ①	9999	0–400Hz/9999			
26	Multi-speed setting (speed 6) ①	9999	0–400Hz/9999			
27	Multi-speed setting (speed 7) ①	9999	0–400Hz/9999			
232	Multi-speed setting (speed 8) ①	9999	0–400Hz/9999			
233	Multi-speed setting (speed 9) ①	9999	0–400Hz/9999			
234	Multi-speed setting (speed 10) ①	9999	0–400Hz/9999			
235	Multi-speed setting (speed 11) ①	9999	0–400Hz/9999			
236	Multi-speed setting (speed 12) ①	9999	0–400Hz/9999			
237	Multi-speed setting (speed 13) ①	9999	0–400Hz/9999			
238	Multi-speed setting (speed 14) ①	9999	0–400Hz/9999			
239	Multi-speed setting (speed 15) ①	9999	0–400Hz/9999			

The above parameters allow its setting to be changed during operation in any operation mode even if "0" (initial value) is set in Pr. 77 "Parameter write selection".

① The above parameters can be set when Pr. 160 "User group read selection" = 0.

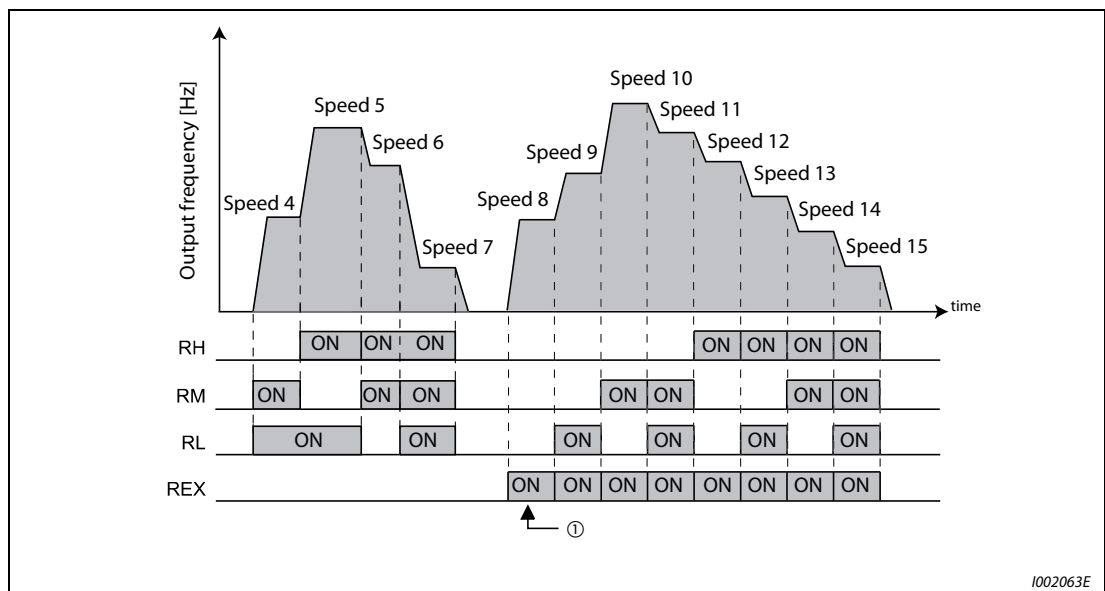
Operation is performed at the frequency set in Pr. 4 when the RH signal turns on, Pr. 5 when the RM signal turns on, and Pr. 6 when the RL signal turns on.

Frequency from speed 4 to speed 15 can be set according to the combination of the RH, RM, RL and REX signals. Set the running frequencies in Pr. 24 to Pr. 27, Pr. 232 to Pr. 239. (In the initial value setting, speed 4 to speed 15 are unavailable.)



**Fig. 6-17:** Multi-speed selection by external terminals

1002062E



1002063E

**Fig. 6-18:** Multi-speed selection by external terminals

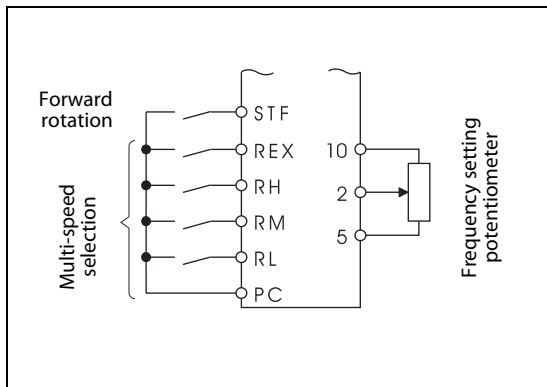
- ① When "9999" is set in Pr. 232 "Multi-speed setting (speed 8)", operation is performed at frequency set in Pr. 6 when RH, RM and RL are turned off and REX is turned on.

**NOTES**

In the initial setting, if two or three speeds are simultaneously selected, priority is given to the set frequency of the lower signal. For example, when the RH and RM signals turn on, the RM signal (Pr. 5) has a higher priority.

The RH, RM, RL signals are assigned to the terminal RH, RM, RL in the initial setting. By setting "0 (RL)", "1 (RM)", "2 (RH)" in any of Pr. 178 to Pr. 184 "Input terminal function assignment", you can assign the signals to other terminals.

For the terminal used for REX signal input, set "8" in any of Pr. 178 to Pr. 184 to assign the function.



**Fig. 6-19:**  
Connection example

I001127E

#### NOTES

The priorities of the frequency commands by the external signals are "jog operation > multi-speed operation > terminal 4 analog input > terminal 2 analog input". (Refer to section 6.16 for the frequency command by analog input.)

Valid in external operation mode or PU/external combined operation mode (Pr. 79 = 3 or 4).

Multi-speed parameters can also be set in the PU or external operation mode.

Pr. 24 to Pr. 27 and Pr. 232 to Pr. 239 settings have no priority between them.

When a value other than "0" is set in Pr. 59 "Remote function selection", the RH, RM and RL signals are used as the remote setting signals and the multi-speed setting becomes invalid.

The RH, RM, RL, REX signals can be assigned to the input terminal using any of Pr. 178 to Pr. 189 "Input terminal function selection". When terminal assignment is changed, the other functions may be affected. Please make setting after confirming the function of each terminal.

### 6.6.2 Jog operation (Pr. 15, Pr. 16)

Jog operation is used to setup the machine. The frequency and acceleration/deceleration time for Jog operation can be set. As soon as the frequency inverter receives the start signal, the motor is accelerated at the frequency entered in parameter 15 (jog frequency) using the preset acceleration/brake time (parameter 16). Jog operation can be performed in either of the external and the PU operation mode.

Pr. No.	Name	Initial Value	Setting Range	Description	Parameters referred to	Refer to Section
15	Jog frequency	5Hz	0–400Hz	Set the frequency for jog operation.		
16	Jog acceleration/ deceleration time	0.5s	0–3600/360s	Acceleration/deceleration time for jog operation.  This setting is related to the reference frequency set in Pr. 20 and the increments set in Pr. 21. Pr. 21 = 0 (Initial setting) Setting range: 0–3600s Increments: 0.1s Pr. 21 = 1 Setting range: 0–360s Increments: 0.01s The acceleration and deceleration times cannot be set separately.	13 Starting frequency 29 Acceleration/ deceleration pattern selection 20 Acceleration/ deceleration reference frequency 21 Acceleration/ deceleration time increments 79 Operation mode selection 178–184 Input terminal function selection	6.7.2 6.7.3 6.7.1 6.7.1 6.18.1 6.10.1

These parameters are displayed as simple mode parameter only when the parameter unit (FR-PU04/FR-PU07) is connected. When the parameter unit is not connected, the above parameters can be set when Pr. 160 "User group read selection" = 0.

#### Jog operation from outside

When the jog signal is on, a start and stop can be made by the start signal (STF, STR). For the terminal used for Jog operation selection, set "5" in any of Pr. 178 to Pr. 184 "Input terminal function selection" to assign the function.

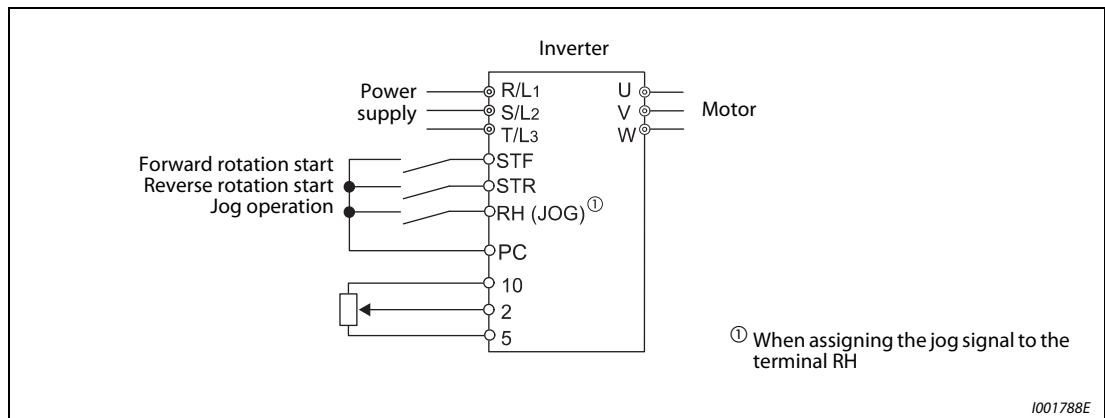
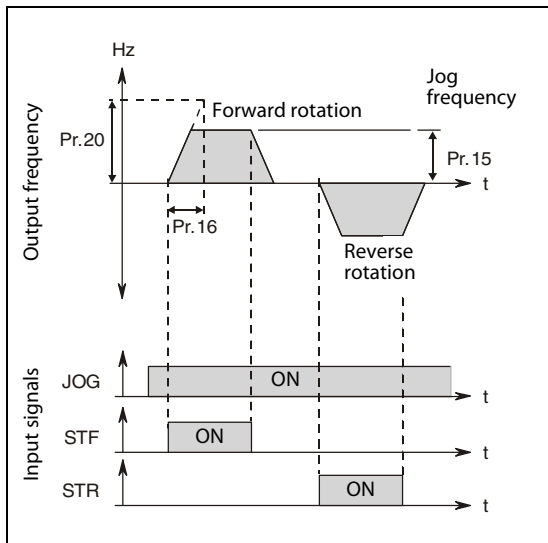
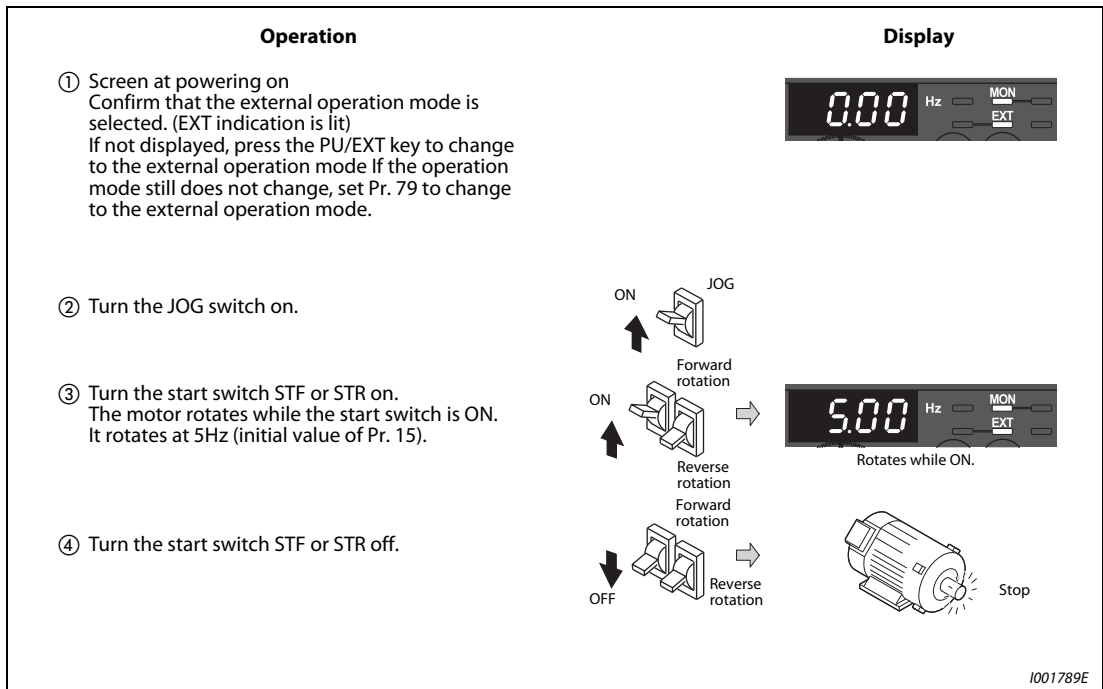


Fig. 6-20: Connection diagram for external jog operation



**Fig. 6-21:**  
Jog operation signal timing chart

I001324C

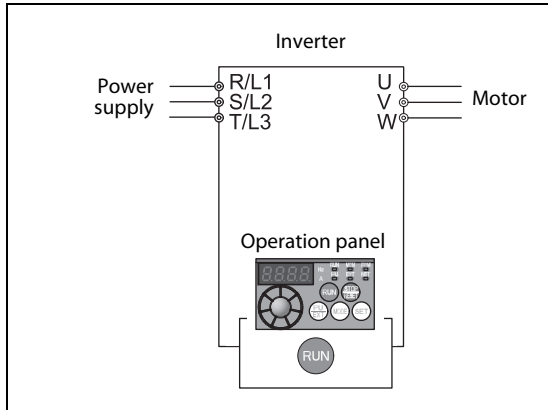


I001789E

**Fig. 6-22:** Jog operation in the external operation mode

**JOG operation from PU**

Selects Jog operation mode from the operation panel and PU (FR-PU04/FR-PU07). Operation is performed only while the start button is pressed.



**Fig. 6-23:** Connection example for jog operation performed from PU

I001790E

Operation	Display
① Confirmation of the RUN indication and operation mode indication. The monitor mode must have been selected. The inverter must be at a stop.	
② Press the PU/EXT key to choose the PU JOG operation mode.	
③ Press the RUN key. The motor rotates while the key is pressed. It rotates at 5Hz (initial value of Pr. 15).	
④ Release the RUN key to stop the motor.	
When changing the frequency of PU JOG operation:	
⑤ Press the MODE key to choose the parameter setting mode.	
⑥ Turn the digital dial until Pr. 15 "JOG frequency" appears.	
⑦ Press the SET key to show the currently set value (5Hz).	
⑧ Turn the digital dial to set the value to "10.00" (10.00Hz).	
⑨ Press the SET key to set.	
⑩ Perform the operations in steps ① to ④ The motor rotates at 10Hz.	

I001791E

**Fig. 6-24:** JOG operation performed from PU

**NOTES**

When Pr. 29 "Acceleration/deceleration pattern selection" = "1" (S-pattern acceleration/deceleration A), the acceleration/deceleration time is the period of time required to reach Pr. 3 "Base frequency".

The Pr. 15 setting should be equal to or higher than the Pr. 13 "Starting frequency setting".

The JOG signal can be assigned to the input terminal using any of Pr. 178 to Pr. 184 "Input terminal function selection". When terminal assignment is changed, the other functions may be affected. Please make setting after confirming the function of each terminal.

During jog operation, the second acceleration/deceleration via the RT signal cannot be selected. (The other second functions are valid (refer to section 6.10.3)).

When Pr. 79 "Operation mode selection" = 4, push the RUN key of the operation panel or the FWD/REV key of the PU (FR-PU04/FR-PU07) to make a start or push the STOP/RESET key to make a stop.

This function is invalid when Pr. 79 = 3.



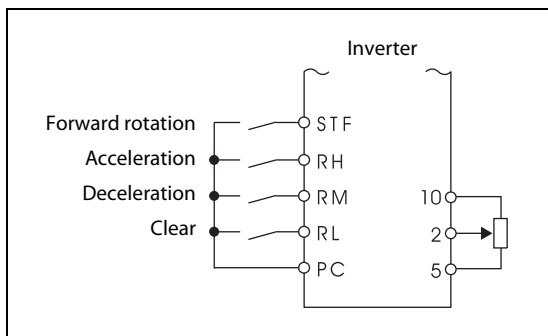
### 6.6.3 Remote setting function (Pr. 59)

Even if the operation panel is located away from the enclosure, you can use contact signals to perform continuous variable-speed operation, without using analog signals.

Pr. No.	Name	Initial Value	Setting Range	Description		Parameters referred to	Refer to Section
				RH, RM and RL Signal Function	Frequency Setting Storage Function		
59	Remote function selection	0	0	Multi-speed setting	—	1 Maximum frequency	6.4.1
			1	Remote setting	✓	18 High speed maximum frequency	6.4.1
			2	Remote setting	—	7 Acceleration time	6.7.1
			3	Remote setting	— (Turning STF/STR off clears remote setting frequency.)	8 Deceleration time	6.7.1
						44 Second acceleration/ deceleration time	6.7.1
						45 Second deceleration time	6.7.1
						178-184 Input terminal function selection	6.10.1

The above parameter can be set when Pr. 160 "User group read selection" = 0.

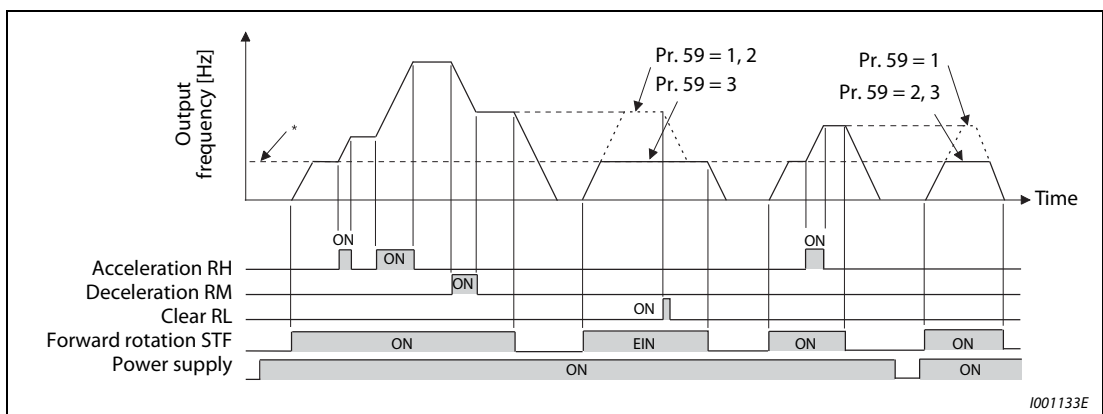
Pr. 59 can be used to select a digital motor potentiometer. Setting Pr. 59 to a value of "1" activates the frequency setting storage function, so that the stored value is also stored when the power is switched off. The last frequency value is stored in the E<sup>2</sup>PROM. The delete instruction only applies to the data stored in RAM.



**Fig. 6-25:** Connection diagram for remote setting

I001132E

When Pr. 59 is set to any of "1 to 3" (remote setting function valid), the functions of the RH, RM and RL signals are changed: RH ⇒ acceleration, RM ⇒ deceleration and RL ⇒ clear.



**Fig. 6-26:** Example of the remote setting function

\* External operation frequency (other than multi-speed) or PU running frequency.

I001133E

**Remote setting function**

When using the remote setting function, following frequencies can be compensated to the frequency set by RH and RM operation according to the operation mode.

During external operation (including Pr. 79 = 4):	External frequency command other than multi-speed settings
During external operation and PU combined operation (Pr. 79 = 3):	PU frequency command or terminal 4 input.
During PU operation:	PU frequency command

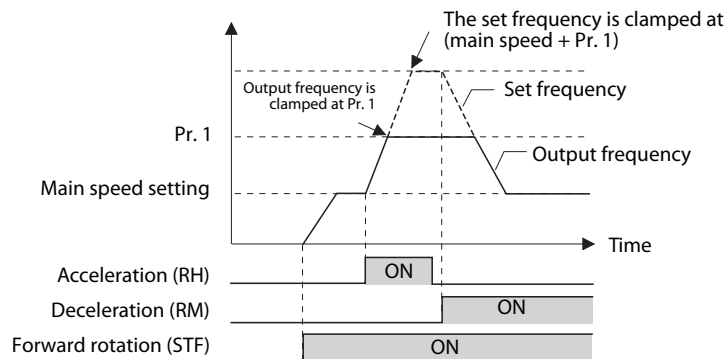
**Frequency setting storage**

The frequency setting storage function stores the remotely-set frequency (frequency set by RH/RM operation) into the memory (E<sup>2</sup>PROM). When power is switched off once, then on, operation is resumed with that output frequency value. (Pr. 59 = 1)

The frequency is stored at the point when the start signal (STF or STR) turns off or every one minute after one minute has elapsed since turn off (on) of both the RH (acceleration) and RM (deceleration) signals. (The frequency is written if the present frequency setting compared with the past frequency setting every one minute is different. The state of the RL signal does not affect writing.)

**NOTES**

The range of frequency changeable by RH (acceleration) and RM (deceleration) is 0 to maximum frequency (Pr. 1 or Pr. 18 setting). Note that the maximum value of set frequency is (main speed + maximum frequency).



When the acceleration or deceleration signal switches on, acceleration/deceleration time is as set in Pr. 44 and Pr. 45. Note that when long time has been set in Pr. 7 or Pr. 8, the acceleration/deceleration time is as set in Pr. 7 or Pr. 8 (when RT signal is off).

When the RT signal is on, acceleration/deceleration is made in the time set to Pr. 44 and Pr. 45, regardless of the Pr. 7 or Pr. 8 setting.

If the start signal (STF or STR) is off, turning on the acceleration (RH) or deceleration (RM) signal varies the preset frequency.

When switching the start signal from ON to OFF, or changing frequency by the RH or RM signal frequently, set the frequency setting value storage function (write to E<sup>2</sup>PROM) invalid (Pr. 59 = 2 or 3). If set valid (Pr. 59 = 1), frequency is written to E<sup>2</sup>PROM frequently, this will shorten the life of the E<sup>2</sup>PROM.

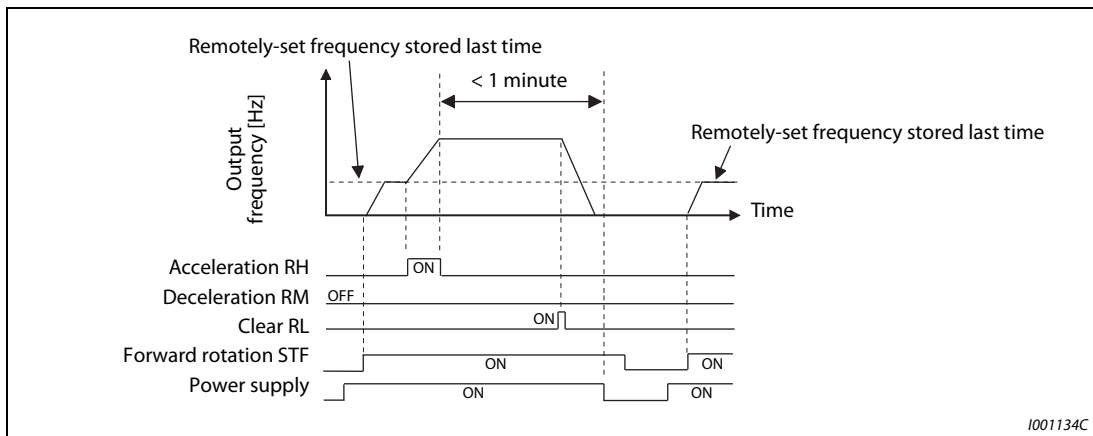
The RH, RM, RL signals can be assigned to the input terminal using any Pr. 178 to Pr. 184 "Input terminal function selection". When terminal assignment is changed, the other functions may be affected. Please make setting after confirming the function of each terminal.

Also available for the network operation mode.

During jog operation or PID control operation, the remote setting function is invalid.

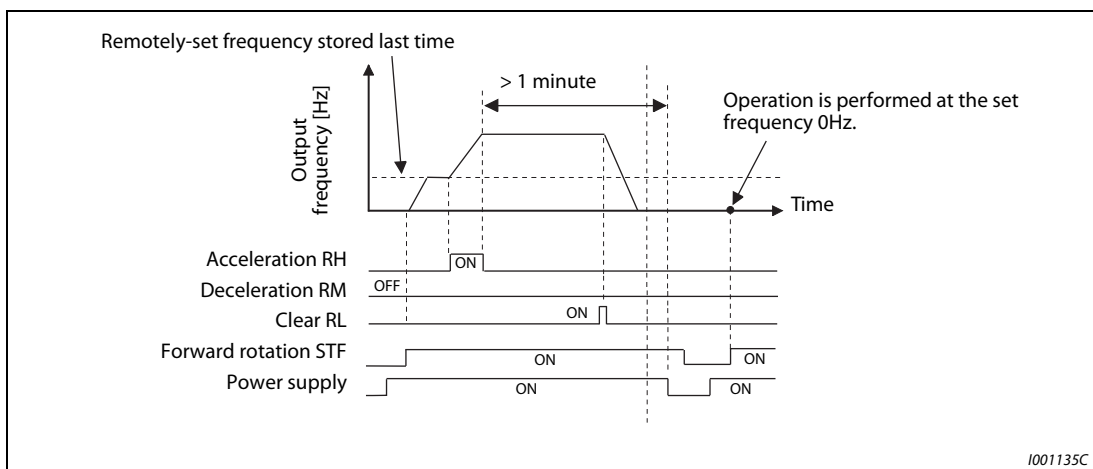
**Set frequency = 0Hz**

- Even when the remotely-set frequency is cleared by turning on the RL (clear) signal after turn off (on) of both the RH and RM signals, the inverter operates at the remotely-set frequency stored in the last operation if power is reapplied before one minute has elapsed since turn off (on) of both the RH and RM signals.



**Fig. 6-27:** Outputting the remotely-set frequency stored last time

- When the remotely-set frequency is cleared by turning on the RL (clear) signal after turn off (on) of both the RH and RM signals, the inverter operates at the frequency in the remotely-set frequency cleared state if power is reapplied after one minute has elapsed since turn off (on) of both the RH and RM signals.



**Fig. 6-28:** Outputting the current set frequency



**CAUTION:**

**When Pr. 59 is set to "1" the motor will restart automatically after a power failure if there is an active rotation direction signal.**

## 6.7 Acceleration and deceleration

Purpose	Parameters that must be set		Refer to Section
Motor acceleration/deceleration time setting	Acceleration/deceleration times	Pr. 7, Pr. 8, Pr. 20, Pr. 21, Pr. 44, Pr. 45, Pr. 147	6.7.1
Starting frequency	Starting frequency and start-time hold	Pr. 13, Pr. 571	6.7.2
Set acceleration/deceleration pattern suitable for application	Acceleration/deceleration pattern	Pr. 29	6.7.3
Automatically set optimum acceleration/deceleration time	Automatic acceleration/deceleration	Pr. 61–Pr. 63, Pr. 292	6.7.4

### 6.7.1 Acceleration and deceleration time (Pr. 7, Pr. 8, Pr. 20, Pr. 21, Pr. 44, Pr. 45, Pr. 147)

Used to set motor acceleration/deceleration time. Set a larger value for a slower speed increase/decrease or a smaller value for a faster speed increase/decrease.

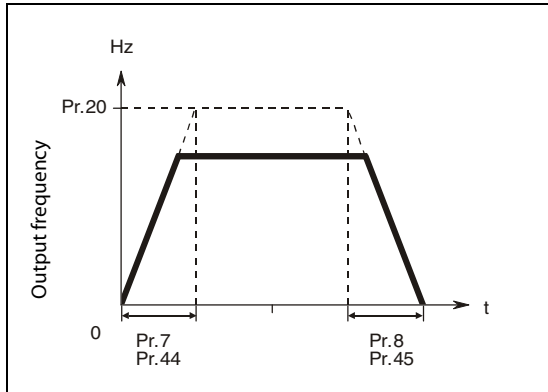
Pr. No.	Name	Initial Value		Setting Range	Description	Parameters referred to	Refer to Section
7	Acceleration time	FR-E720S-110SC or less, FR-E740-095SC or less	5s	0–3600s/ 0–360s <sup>②</sup>	Set the motor acceleration time.		
		FR-E740-120SC and 170SC	10s				
		FR-E740-230SC and 300SC	15s				
8	Deceleration time	FR-E720S-110SC or less, FR-E740-095SC or less	5s	0–3600s/ 0–360s <sup>②</sup>	Set the motor deceleration time.		
		FR-E740-120SC and 170SC	10s				
		FR-E740-230SC and 300SC	15s				
20	Acceleration/deceleration reference frequency <sup>①</sup>	50Hz		1–400Hz	Set the frequency that will be the basis of acceleration/deceleration time. As acceleration/deceleration time, set the frequency change time from stop to Pr. 20.		
21	Acceleration/deceleration time increments <sup>①</sup>	0		0	Increments: 0.1s Range: 0–3600s	Increments and setting range of acceleration/deceleration time setting can be changed.	
				1	Increments: 0.01s Range: 0–360s		
44	Second acceleration/deceleration time <sup>①</sup>	FR-E720S-110SC or less, FR-E740-095SC or less	5s	0–3600s/ 0–360s <sup>②</sup>	Set the acceleration/deceleration time when the RT signal is on.		
		FR-E740-120SC and 170SC	10s				
		FR-E740-230SC and 300SC	15s				
45	Second deceleration time <sup>①</sup>	9999		0–3600s/ 0–360s <sup>②</sup>	Set the deceleration time when the RT signal is on.		
				9999	Acceleration time = deceleration time		
147	Acceleration/deceleration time switching frequency <sup>①</sup>	9999		0–400Hz	Frequency when automatically switching to the acceleration/deceleration time of Pr. 44 and Pr. 45.		
				9999	No function		

① The above parameters can be set when Pr. 160 "User group read selection" = 0.

② Depends on the Pr. 21 "Acceleration/deceleration time increments" setting. The initial value for the setting range is "0 to 3600s" and the setting increments is "0.1s".

**Acceleration time setting (Pr. 7, Pr. 20)**

Use Pr. 7 "Acceleration time" to set the acceleration time required to reach Pr. 20 "Acceleration/deceleration reference frequency" from 0Hz.



**Fig. 6-29:**  
Acceleration/deceleration time

1000006C

Set the acceleration time according to the following formula:

$$\text{Acceleration time setting} = \frac{\text{Pr. 20}}{\text{Maximum operating frequency} - \text{Pr. 13}} \times \text{Acceleration time from stop to maximum operating frequency}$$

**Example** ▽

When Pr. 20 = 50Hz (initial value), Pr. 13 = 0.5Hz

The acceleration can be made up to the maximum operating frequency of 40Hz in 10s.

$$\text{Pr. 7} = \frac{50\text{Hz}}{40\text{Hz} - 0.5\text{Hz}} \times 10\text{s} = 12.7\text{s}$$

△

**Deceleration time setting (Pr. 8, Pr. 20)**

Use Pr. 8 "Deceleration time" to set the deceleration time required to reach 0Hz from Pr. 20 "Acceleration/deceleration reference frequency".

Set the deceleration time according to the following formula:

$$\text{Deceleration time setting} = \frac{\text{Pr. 20}}{\text{Maximum operating frequency} - \text{Pr. 10}} \times \text{Deceleration time from maximum operating frequency to stop}$$

**Example** ▽

When Pr. 20 = 120Hz, Pr. 10 = 3Hz

The deceleration can be made up from the maximum operating frequency of 40Hz to a stop in 10s.

$$\text{Pr. 8} = \frac{120\text{Hz}}{40\text{Hz} - 3\text{Hz}} \times 10\text{s} = 32.4\text{s}$$

△

**Change the setting range and increments of the acceleration/deceleration time (Pr. 21)**

Use Pr. 21 to set the acceleration/deceleration time and minimum setting range.

Setting "0" (initial value)..... 0 to 3600s (minimum setting increments 0.1s)

Setting "1"..... 0 to 360s (minimum setting increments 0.01s)



**CAUTION:**

**Changing the Pr. 21 setting changes the acceleration/deceleration setting (Pr. 7, Pr. 8, Pr. 16, Pr. 44, Pr. 45).**

**(The Pr. 611 "Acceleration time at a restart" setting is not affected.)**

**Example:**

**When Pr. 21 = 0, setting "5.0" s in Pr. 7 and "1" in Pr. 21 automatically changes the Pr. 7 setting to "0.5" s.**

**Set two kinds of acceleration/deceleration times (RT signal, Pr. 44, Pr. 45, Pr. 147)**

Pr. 44 and Pr. 45 are valid when the RT signal is on, or the output frequency reaches or exceeds the setting of Pr. 147. Switching the parameter sets allows you to operate motors with different specifications and capabilities with the frequency inverter.

When "9999" is set to Pr. 45, the deceleration time becomes equal to the acceleration time (Pr. 44).

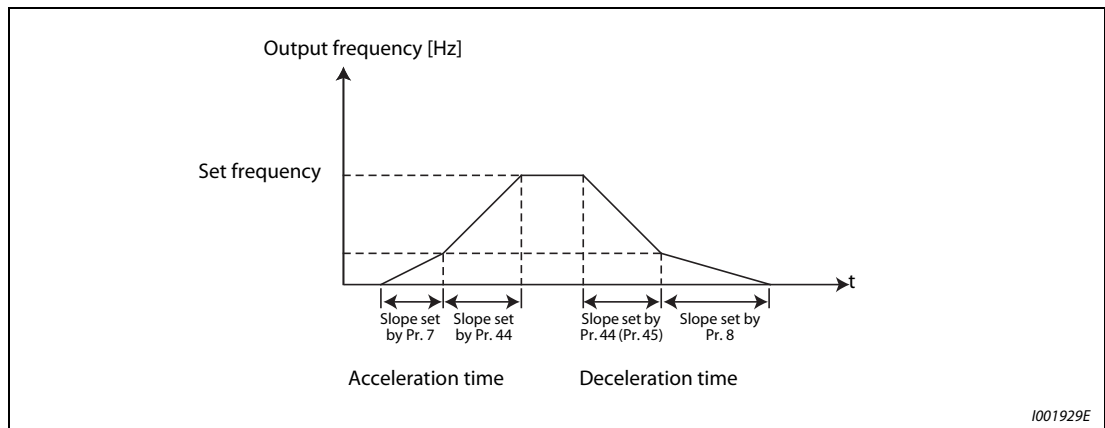
For the RT signal, set "3" in any of Pr. 178 to Pr. 184 "Input terminal function selection" to assign the function.

Acceleration/deceleration time changes when the RT signal turns ON or the output frequency reaches the Pr. 147 setting or higher.

Pr. 147	Acceleration/Deceleration Time	Description
9999 (Initial value)	Pr. 7, Pr. 8	No automatic switching of the acceleration/deceleration time
0.00Hz	Pr. 44, Pr. 45	Second acceleration/deceleration time from a start
$0.00\text{Hz} \leq \text{Pr. 147} \leq \text{Set frequency}$	Output frequency < Pr. 147: Pr. 7, Pr. 8 Pr. 147 ≤ Output frequency: Pr. 44, Pr. 45	Acceleration/deceleration time automatic switching ①
Set frequency < Pr. 147	Pr. 7, Pr. 8	No automatic switching, since output frequency will not reach the switching frequency

**Tab. 6-5:** Acceleration/deceleration times in dependence on Parameter 147

① When the RT signal turns on, the acceleration/deceleration time switches to the second acceleration/deceleration time even when the output frequency is not reached to Pr. 147 setting.



**Fig. 6-30:** Automatic switching of the acceleration/deceleration time

**S-shaped acceleration/deceleration pattern**

If a S-shaped acceleration/deceleration pattern A is selected in pr. 29, the set time is the period required to reach the base frequency set in Pr. 3 "Base frequency".

Acceleration/deceleration time formula when the set frequency is the base frequency or higher.

$$t = \frac{4}{9} \times \frac{T}{(\text{Pr. 3})^2} \times f^2 + \frac{5}{9} T$$

T: Acceleration/deceleration time setting value (s)

f: Set frequency (Hz)

**NOTE**

You will find a detailed description of this parameter in section 6.7.3.

Guideline for acceleration/deceleration time when Pr. 3 Base frequency = 50Hz (0Hz to set frequency).

Acceleration/Deceleration time [s]	Frequency Setting [Hz]			
	50	120	200	400
5	5	16	38	145
15	15	47	115	435

**Tab. 6-6:** Acceleration/deceleration time at a base frequency of 50Hz

**NOTES**

Changing terminal assignment may affect the other functions. Make setting after confirming the function of each terminal. (Refer to section 6.10.3.)

If the Pr. 20 setting is changed, the Pr. 125 and Pr. 126 (frequency setting signal gain frequency) settings do not change. Set Pr. 125 and Pr. 126 to adjust the gains.

When the Pr. 7, Pr. 8, Pr. 44 and Pr. 45 settings are 0.03s or less, the acceleration/deceleration time is 0.04s. At that time, set Pr. 20 to "120Hz" or less.

If the acceleration/deceleration time is set, the actual motor acceleration/deceleration time cannot be made shorter than the shortest acceleration/deceleration time determined by the mechanical system J (inertia moment) and motor torque.



### 6.7.2 Starting frequency and start-time hold function (Pr. 13, Pr. 571)

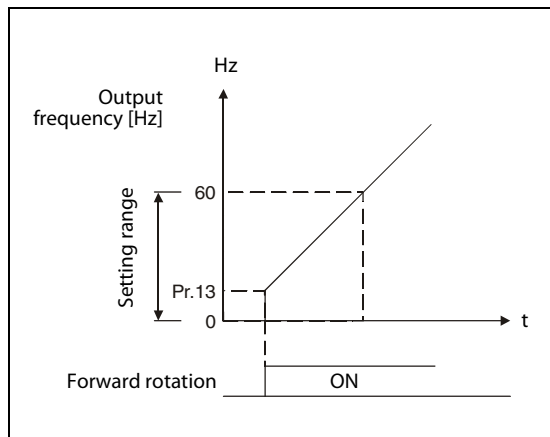
You can set the starting frequency and hold the set starting frequency for a certain period of time. Set these functions when you need the starting torque or want to smooth motor drive at a start.

Pr. No.	Name	Initial Value	Setting Range	Description	Parameters referred to	Refer to Section
13	Starting frequency	0.5Hz	0–60Hz	Frequency at start can be set in the range 0 to 60Hz. You can set the starting frequency at which the start signal is turned on.	2 Minimum frequency	6.4.1
571	Holding time at start	9999	0.0–10.0s	Set the holding time of Pr. 13 "Starting frequency".		
			9999	Holding function at a start is invalid		

The above parameters can be set when Pr. 160 "User group read selection" = 0.

#### Starting frequency setting (Pr. 13)

The motor is started with the specified start frequency as soon as the frequency inverter receives a start signal and a frequency setting that is greater than or equal to the preset starting frequency.



**Fig. 6-31:**  
Starting frequency parameter

100008C

**NOTE**

The inverter will not start if the frequency setting signal is less than the value set in Pr. 13.

**Example** ▽

When 5Hz is set in Pr. 13, the motor will not start running until the frequency setting signal reaches 5Hz.

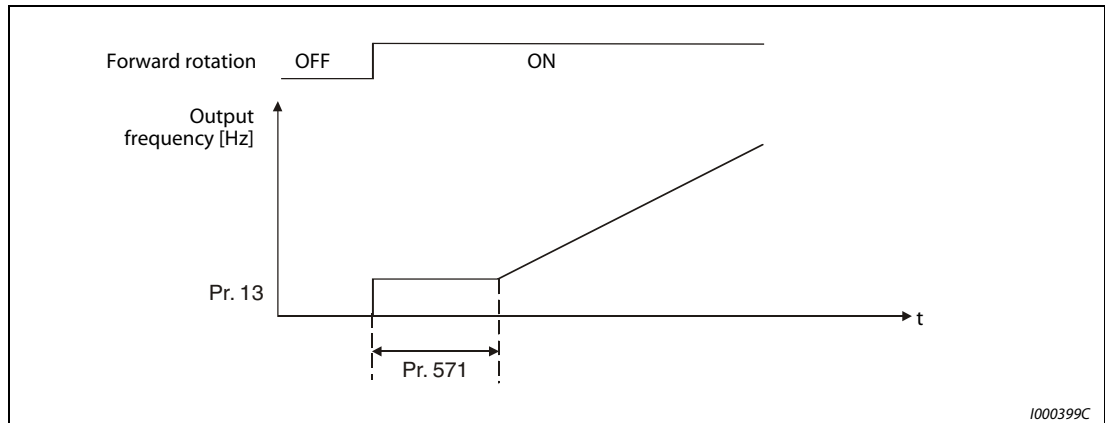


**WARNING:**

**Note that when Pr. 13 is set to any value lower than Pr. 2 "Minimum frequency", simply turning on the start signal will run the motor at the preset frequency even if the command frequency is not input.**

**Start-time hold function (Pr. 571)**

This function holds the time set in Pr. 571 and the output frequency set in Pr. 13 "Starting frequency". This function performs initial excitation to smooth the motor drive at a start.



**Fig. 6-32:** Holding time at start

**NOTES**

- When the start signal was turned off during start-time hold, deceleration is started at that point.
- At switching between forward rotation and reverse rotation, the starting frequency is valid but the start-time hold function is invalid.
- When Pr. 13 = 0Hz, the starting frequency is held at 0.01Hz.

### 6.7.3 Acceleration and deceleration pattern (Pr. 29)

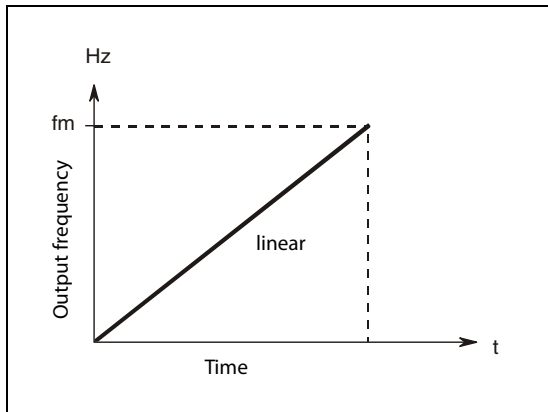
You can set the acceleration/deceleration pattern suitable for application.

Pr. No.	Name	Initial Value	Setting Range	Description	Parameters referred to	Refer to Section
29	Acceleration/deceleration pattern selection	0	0	Linear acceleration/deceleration	3 Base frequency 7 Acceleration time 8 Deceleration time 20 Acceleration/deceleration reference frequency	6.5.1 6.7.1 6.7.1 6.7.1
			1	S-pattern acceleration/deceleration A		
			2	S-pattern acceleration/deceleration B		

The above parameters can be set when Pr. 160 "User group read selection" = 0.

#### Linear acceleration/deceleration (Pr. 29 = "0", initial value)

For the inverter operation, the output frequency is made to change linearly (linear acceleration/deceleration) to prevent the motor and inverter from excessive stress to reach the set frequency during acceleration, deceleration, etc. when frequency changes. Linear acceleration/deceleration has a uniform frequency/time slope (refer to Fig. 6-33).



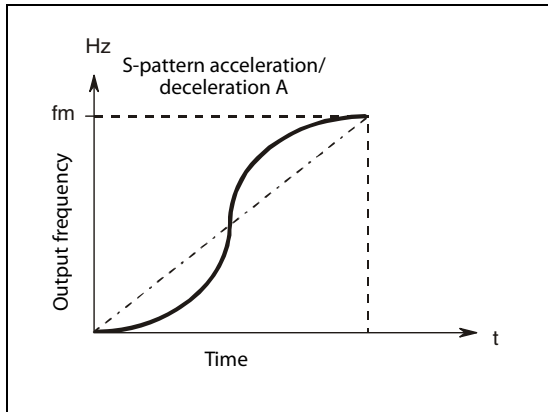
**Fig. 6-33:**  
Characteristic for parameter 29 = "0"

1000015C

**S-pattern acceleration/deceleration A (Pr. 29 = "1")**

For machine tool spindle applications, etc.

Used when acceleration/deceleration must be made in a short time to a high-speed range of not lower than base frequency. In this acceleration/deceleration pattern, Pr. 3 "Base frequency" (fb) is the inflection point of the S-pattern (refer to Fig. 6-34) and you can set the acceleration/deceleration time appropriate for motor torque reduction in a constant-output operation region of base frequency or higher.

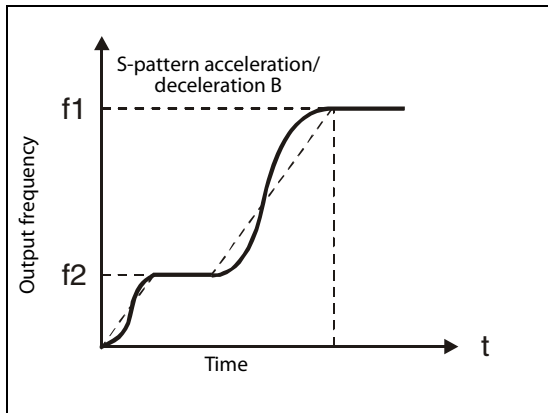


**Fig. 6-34:**  
Characteristic for parameter 29 = "1"

1000016C

**S-pattern acceleration/deceleration B (Pr. 29 = "2")**

When a setting of "2" is entered frequency changes are executed with an S-pattern. For example, if a drive is accelerated from 0 to 30Hz and then re-accelerated to 50Hz then each acceleration sequence (i.e. the first sequence from 0 to 30Hz and the second from 30Hz to 50Hz) will be executed with an S-pattern. The time for the S-pattern is not longer than that for linear acceleration (refer to Fig. 6-35). This prevents jolts in drive operation, for example for conveyor belt and positioning drive systems.



**Fig. 6-35:**  
Characteristic for parameter 29 = "2"

1000017C

**NOTE**

As the acceleration/deceleration time of S-pattern acceleration/deceleration A, set the time taken until Pr. 3 "Base frequency" is reached, not Pr. 20 "Acceleration/deceleration reference frequency".

### 6.7.4 Shortest acceleration/deceleration (automatic acceleration/deceleration) (Pr. 61 to Pr. 63, Pr. 292, Pr. 293)

The inverter operates in the same conditions as when appropriate values are set in each parameter even if acceleration/deceleration time and V/F pattern are not set. This function is useful when you just want to operate, etc. without fine parameter setting.

Pr. No.	Name	Initial Value	Setting Range	Description	Parameters referred to	Refer to Section
<b>61</b>	Reference current	9999	0–500A	Set the reference current during shortest acceleration/deceleration.	0 Torque boost 7 Acceleration time 8 Deceleration time 22 Stall prevention operation level	6.3.1 6.7.1 6.7.1 6.3.5
			9999	Rated inverter output current value is reference		
<b>62</b>	Reference value at acceleration	9999	0–200%	Set the limit value during shortest acceleration.		
			9999	150% is a limit value		
<b>63</b>	Reference value at deceleration	9999	0–200%	Set the limit value during shortest deceleration.		
			9999	150% is a limit value		
<b>292</b>	Automatic acceleration/deceleration	0	0	Normal mode		
			1	Shortest acceleration/deceleration (without brake)		
			11	Shortest acceleration/deceleration (with brake)		
			7/8	Brake sequence mode 1, 2 (Refer to section 6.9.5.)		
<b>293</b>	Acceleration/deceleration separate selection	0	0	Both acceleration and deceleration are made in the shortest acceleration/deceleration mode		
			1	Only acceleration is made in the shortest acceleration/deceleration mode		
			2	Only deceleration is made in the shortest acceleration/deceleration mode		

The above parameters can be set when Pr. 160 "User group read selection" = 0.

**Shortest acceleration/deceleration mode (Pr. 292 = 1, 11, Pr. 293)**

- Set when you want to accelerate/decelerate the motor for the shortest time. It is desired to make acceleration/deceleration in a shorter time for a machine tool etc. but the design values of machine constants are unknown.
- Acceleration/deceleration speed is automatically adjusted at a start of acceleration/deceleration from the value of the setting value of Pr. 7 "Acceleration time" and Pr. 8 "Deceleration time" so that acceleration/deceleration is made with the maximum torque the inverter can output. (The setting values of Pr. 7 and Pr. 8 are not changed.)
- Either acceleration or deceleration can be made in the shortest time using Pr. 293 "Acceleration/deceleration separate selection". When the setting value is "0" (initial value), both acceleration and deceleration can be made in the shortest time.
- Set "11" when an optional high-duty brake resistor or brake unit is connected. Deceleration time can be further shortened.
- When the shortest/acceleration mode is selected, the stall prevention operation level during acceleration/deceleration from the value of becomes 150% (adjustable using Pr. 61 to Pr. 63). Setting of Pr. 22 "Stall prevention operation level" is used only during a constant speed operation.
- It is inappropriate to use for the following applications.
  - Machine with a large inertia such as a fan (more than 10 times). Since stall prevention operation will be activated for a long time, this type of machine may be brought to an alarm stop due to motor overloading, etc.
  - It is desired to always perform operation with a constant acceleration/deceleration time.

**NOTES**

Even if automatic acceleration/deceleration mode has been selected, inputting the jog signal (jog operation) or RT signal (second function selection) during an inverter stop will switch to the normal operation and give priority to jog operation or second function selection. Note that JOG and RT signal input is invalid even if JOG signal and RT signal are input during operation in automatic acceleration/deceleration mode.

Since acceleration/deceleration is made with the stall prevention operation being activated, the acceleration/deceleration speed always varies according to the load conditions.

Note that when proper values are set in Pr. 7 and Pr. 8, acceleration/deceleration time may be shorter than selecting shortest acceleration/deceleration mode.

**Adjustment of shortest acceleration/deceleration mode (Pr. 61 to Pr. 63)**

By setting the adjustment parameters Pr. 61 to Pr. 63, the application range can be made wider.

Pr. No.	Name	Setting Range	Description
61	Reference current	0–500A	For example, when the motor and inverter are different in capacity, set the rated motor current value. Set reference current (A) of the stall prevention operation level during acceleration/deceleration.
		9999 (initial value)	The rated inverter current is defined as reference.
62	Reference value at acceleration	0–200%	Set when it is desired to change the reference level of acceleration and deceleration. Set the stall prevention operation level (ratio to the current value of Pr. 61) during acceleration/deceleration.
63	Reference value at deceleration	9999 (initial value)	The 150% value during shortest acceleration/deceleration is judged as the stall prevention operation level.

**Tab. 6-7:** *Adjustment parameter setting*

**NOTE**

Since the Pr. 61 to Pr. 63 settings automatically return to the initial value (9999) if the Pr. 292 setting is changed, set Pr. 292 first when you need to set Pr. 61 to Pr. 63.

## 6.8 Selection and protection of a motor

Purpose	Parameters that must be set		Refer to Section
Motor protection from overheat	Electronic thermal O/L relay	Pr. 9, Pr. 51	6.8.1
Use the constant torque motor	Applied motor	Pr. 71, Pr. 450	6.8.2
The motor performance can be maximized for operation in magnetic flux vector control method.	Offline auto tuning	Pr. 71, Pr. 80–Pr. 84, Pr. 90–Pr. 94, Pr. 96, Pr. 859	6.8.3

### 6.8.1 Motor overheat protection (Electronic thermal O/L relay) (Pr. 9, Pr. 51)

The FR-E700SC EC frequency inverters have an internal electronic motor protection function that monitors the motor frequency and motor current. Overload conditions are identified and the motor protection function is triggered on the basis of these two factors, in combination with the rated motor current. The electronic motor protection function is primarily for protection against overheating at intermediate speeds and high motor torques. The reduced cooling performance of the motor fan under these conditions is also taken into account.

Pr. No.	Name	Initial Value	Setting Range	Description	Parameters referred to	Refer to Section
<b>9</b>	Electronic thermal O/L relay	Rated inverter current <sup>①</sup>	0–500A	Set the rated motor current.	71 Applied motor 72 PWM frequency selection	6.8.2 6.15.1
<b>51</b>	Second electronic thermal O/L relay <sup>② ③</sup>	9999	0–500A	Made valid when the RT signal is on. Set the rated motor current.	178–184 Input terminal function selection	6.10.1
			9999	Second electronic thermal O/L relay invalid	190–192 Output terminal function selection	6.10.5

- ① The initial value of the FR-E720S-050SC or less and FR-E740-026SC or less is set to 85% of the rated inverter current.
- ② The above parameters can be set when Pr. 160 "User group read selection" = 0.
- ③ When parameter is read using the FR-PU04, a parameter name different from an actual parameter is displayed.



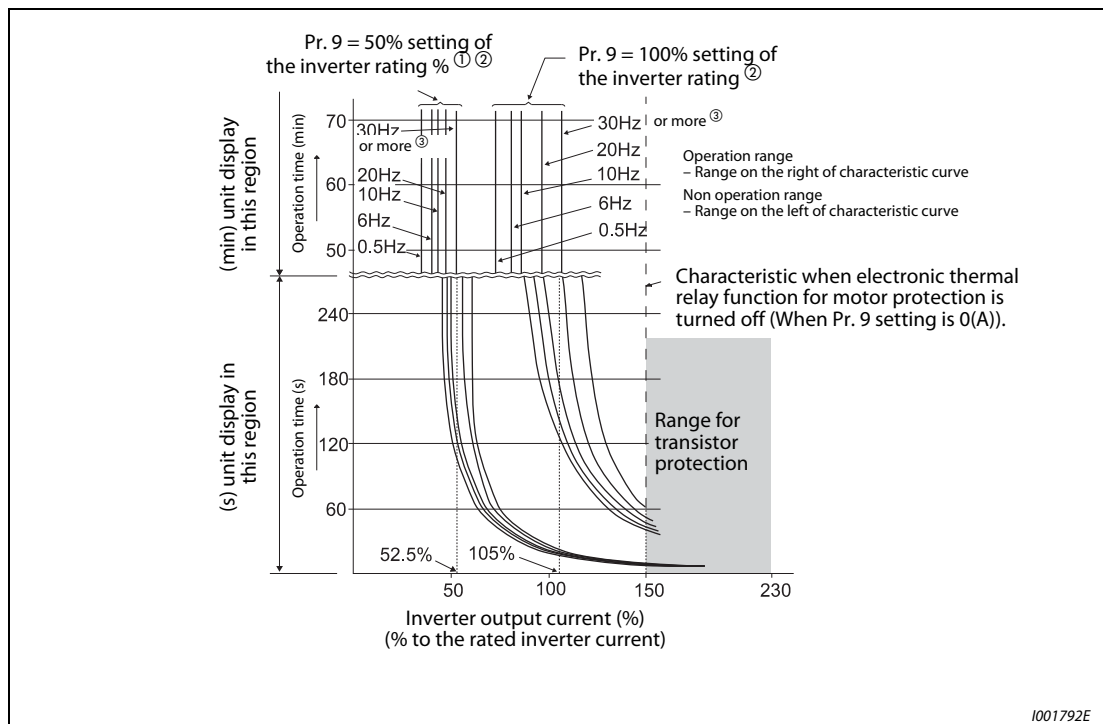
### Electronic thermal O/L relay (Pr. 9)

Set the rated current [A] of the motor in Pr. 9. (When the power supply specification is 400V/440V 60Hz, set the 1.1 times the rated motor current.)

Set "0" to Pr. 9 when you do not want to activate the electronic thermal relay function, e.g. when using an external thermal relay with the motor. (Note that the output transistor protection of the inverter functions (E.THT).)

When using the Mitsubishi constant-torque motor set "1, 13 to 16, 50, 53 or 54" to Pr. 71. (This provides a 100% continuous torque characteristic in the low-speed range.) After this set the rated current of the motor to Pr. 9.

The figure below shows the electronic thermal relay function operation characteristic. The region on the right of the characteristic curve is the operation region. The region on the left of the characteristic curve is the non-operation region.



**Fig. 6-36:** Electronic thermal relay function operation characteristic

- ① When a value 50% of the inverter rated output current (current value) is set to Pr. 9.
- ② The % value denotes the percentage to the inverter rated output current. It is not the percentage to the motor rated current.
- ③ When you set the electronic thermal relay function dedicated to the Mitsubishi constant-torque motor, this characteristic curve applies to operation at 6Hz or higher.

**NOTES**

Fault by electronic thermal relay function is reset by inverter power reset and reset signal input. Avoid unnecessary reset and power-off.

When multiple motors are operated by a single inverter, protection cannot be provided by the electronic thermal relay function. Install an external thermal relay to each motor.

When the difference between the inverter and motor capacities is large and the setting is small, the protective characteristics of the electronic thermal relay function will be deteriorated. In this case, use an external thermal relay.

A special motor cannot be protected by the electronic thermal relay function. Use the external thermal relay.

The operation time of the transistor protection thermal relay shortens when the Pr. 72 "PWM frequency selection" setting increases.

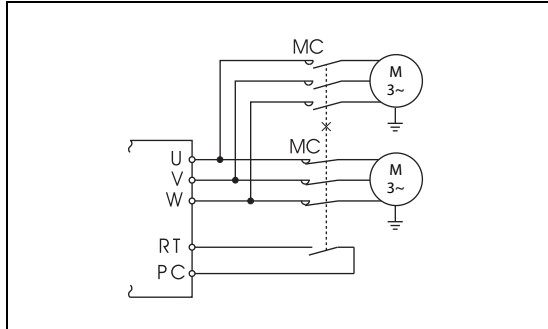
Electronic thermal relay does not work when 5% or less of inverter rated current is set to electronic thermal relay setting.

**Set two different electronic thermal O/L relays (Pr. 51)**

Use this function when running two motors of different rated currents individually by a single inverter. (When running two motors together, use external thermal relays.)

Set the rated current of the second motor to Pr. 51. When the RT signal is on, thermal protection is provided based on the Pr. 51 setting.

For the terminal used for RT signal input, set "3" in any of Pr. 178 to Pr. 184 "Input terminal function selection" to assign the function.



**Fig. 6-37:**  
Running two motors by a single inverter

1001137C

Pr. 450 Second Applied Motor	Pr. 9 Electronic Thermal O/L Relay	Pr. 51 Second Electronic Thermal O/L Relay	RT = OFF		RT = ON	
			1. Motor	2. Motor	1. Motor	2. Motor
9999	0	9999	—	—	—	—
		0	—	—	—	—
		0.01-500	—	△	—	●
9999	≠ 0	9999	●	—	●	—
		0	●	—	△	—
		0.01-500	●	△	△	●
≠ 9999	0	9999	—	—	—	—
		0	—	—	—	—
		0.01-500	—	△	—	●
≠ 9999	≠ 0	9999	●	△	△	●
		0	●	—	△	—
		0.01-500 (0.1-3600)	●	△	△	●

**Tab. 6-8:** Switching the electronic thermal O/L relay

- Output current value is used to perform integration processing.
- △ Output current is assumed as 0A to perform integration processing. (cooling processing)
- Electronic thermal relay function is not activated.

**NOTE**

The RT signal acts as the second function selection signal and makes the other second functions valid. (Refer to section 6.10.3.)

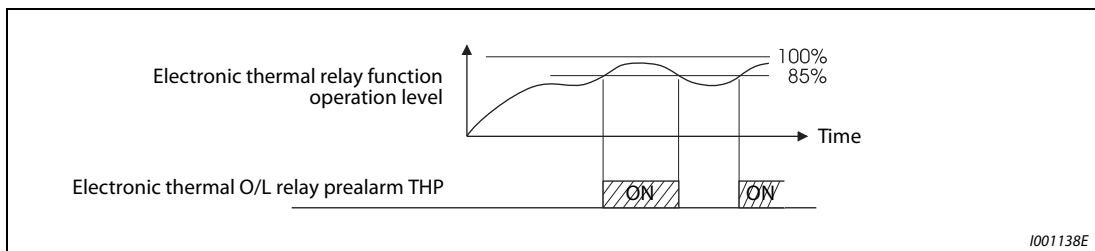
**Electronic thermal relay function prealarm (TH) and alarm signal (THP signal)**

The alarm signal (THP) is output and electronic thermal relay function prealarm (TH) is displayed when the electronic thermal O/L relay cumulative value reaches 85% of the level set in Pr. 9 or Pr. 51. If it reaches 100% of the Pr. 9 "Electronic thermal O/L relay setting", a motor overload trip (E.THM) occurs.

**NOTE**

The prealarm signal "THP" is also issued as soon as the thermal load of the IGBT output stages of the frequency inverter is 85%. If the load rises further up to 100%, then the thermal overload protection of the frequency inverter responds and the "E.THT" error message is shown.

For the terminal used for the THP signal output, assign the function by setting "8 (positive logic) or 108 (negative logic)" in any of Pr. 190 to Pr. 192 "Output terminal function selection".



**Fig. 6-38:** Prealarm signal output

**NOTE**

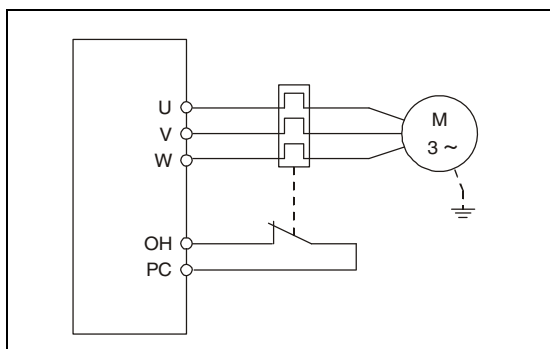
Changing the terminal assignment using Pr. 190 to Pr. 192 "Output terminal function selection" may affect the other functions. Make setting after confirming the function of each terminal.

**External thermal relay input (OH signal)**

To protect the motor against overheat, use the OH signal (refer to Fig. 6-39) when using an external thermal relay or the built-in thermal protector of the motor.

When the thermal relay operates, the inverter trips and outputs the fault signal (E.OHT).

For the terminal used for OH signal input, assign the function by setting "7" to any of Pr. 178 to Pr. 184 "Input terminal function selection".



**Fig. 6-39:** Connection of an external thermal relay

**NOTE**

Changing the terminal assignment using Pr. 178 to Pr. 184 "Input terminal function selection" may affect the other functions. Make setting after confirming the function of each terminal.

### 6.8.2 Applied motor (Pr. 71, Pr. 450)

Setting of the used motor selects the thermal characteristic appropriate for the motor. Setting is required to use a constant-torque motor. Thermal characteristic of the electronic thermal relay function suitable for the motor is set.

When general-purpose magnetic flux vector or advanced magnetic flux vector control is selected, the motor constants (SF-JR, SF-HR, SF-JRCA, SF-HRCA, etc.) necessary for control are selected as well.

Pr. No.	Name	Initial Value	Setting Range	Description
71	Applied motor	0	0/1-3-6/ 13-16/23/24/40/ 43/44/50/53/54	Selecting the standard motor or constant-torque motor sets the corresponding motor thermal characteristic.
			0/1	Set when using the second motor.
450	Second applied motor	9999	9999	Second motor is invalid (thermal characteristic of the first motor (Pr. 71))

Parameters referred to	Refer to Section
0 Torque boost	6.3.1
12 DC injection brake operation voltage	6.9.1
80 Motor capacity	6.8.3
81 Number of motor poles	6.8.3
82-84 Motor constants	6.8.3
90-94	
96	
800 Control method selection	6.2.1

**Set the motor to be used**

Refer to the following list and set this parameter according to the motor used.

Pr. 71	Pr. 450	Thermal Characteristic of the Electronic Thermal Relay Function		Motor	
				Standard (SF-JR, etc.)	Constant Torque (SF-JRCA, etc.)
0 (initial value)		Thermal characteristics of a standard motor		✓	—
1		Thermal characteristics of the Mitsubishi constant-torque motor			✓
40	—	Thermal characteristic of Mitsubishi high efficiency motor (SF-HR)		✓ ①	
50	—	Thermal characteristic of Mitsubishi constant torque motor (SF-HRCA)			✓ ②
3	—	Standard motor	Select "Offline auto tuning setting"	✓	
13	—	Constant-torque motor			✓
23	—	Mitsubishi standard motor (SF-JR 4P 1.5kW or less)		✓	
43	—	Mitsubishi high efficiency motor (SF-HR)		✓ ①	
53	—	Mitsubishi constant-torque motor (SF-HRCA)			✓ ②
4	—	Standard motor	Auto tuning data can be read, changed, and set.	✓	
14	—	Constant-torque motor			✓
24	—	Mitsubishi standard motor (SF-JR 4P 1.5kW or less)		✓	
44	—	Mitsubishi high efficiency motor (SF-HR)		✓ ①	
54	—	Mitsubishi constant-torque motor (SF-HRCA)			✓ ②
5	—	Standard motor	Star connection	Direct input of motor constants is enabled	✓
15	—	Constant-torque motor			
6	—	Standard motor	Delta connection		✓
16	—	Constant-torque motor			
—	9999 (initial value)	Without second applied motor			

**Tab. 6-9:** Setting of parameter Pr. 71 and Pr. 450

- ① Motor constants of Mitsubishi high efficiency motor SF-HR.
- ② Motor constants of Mitsubishi constant-torque motor SF-HRCA.

**NOTE**

For the FR-E740-120SC and 170SC, the Pr. 0 "Torque boost" and Pr. 12 "DC injection brake operation voltage" settings are automatically changed according to the Pr. 71 setting as follows.

Pr. 71	0, 3-6, 23, 24, 40, 43, 44	1, 13-16, 50, 53, 54
Pr. 0	3%	2%
Pr. 12	4%	2%

**Tab. 6-10:** Changes of parameter 0 and 12 related to parameter 71



**CAUTION:**

Set the electronic thermal relay function to the thermal characteristic for the constant-torque motor when using a geared motor (GM-S, GM-D, GM-SY, GM-HY2 series) to perform Advanced magnetic flux vector control or General-purpose magnetic-flux vector control.

**Use two motors (Pr. 450)**

- Set Pr. 450 "Second applied motor" to use two different motors with one inverter.
- When "9999" (initial value) is set, no function is selected.
- When a value other than "9999" is set in Pr. 450, the second motor is valid when the RT signal turns on.
- For the RT signal, set "3" in any of Pr. 178 to Pr. 184 "Input terminal function selection" to assign the function.

**NOTES**

The RT signal acts as the second function selection signal and makes the other second functions valid. (Refer to section 6.10.3.)

Changing the terminal assignment using Pr. 178 to Pr. 184 "Input terminal function selection" may affect other functions. Make setting after confirming the function of each terminal.

**CAUTION:**

- ***Set this parameter correctly according to the motor used. Incorrect setting may cause the motor to overheat and burn.***
- ***Set the electronic thermal relay function to the thermal characteristic for the constant-torque motor when using a geared motor (GM-G, GM-D, GM-SY, GM-HY2 series) to perform advanced magnetic flux vector control or general-purpose magnetic-flux vector control.***

### 6.8.3 To exhibit the best performance of the motor performance (offline auto tuning) (Pr. 71, Pr. 80 to Pr. 84, Pr. 90 to Pr. 94, Pr. 96, Pr. 859)

The motor performance can be maximized with offline auto tuning.

What is offline auto tuning?

- When performing advanced magnetic flux vector control or general-purpose magnetic flux vector control, the motor can be run with the optimum operating characteristics by automatically measuring the motor constants (offline autotuning) even when each motor constants differs, other manufacturer's motor is used, or the wiring length is long.

Pr. No.	Name	Initial Value		Setting Range	Description	Parameters referred to	Refer to Section
71	Applied motor	0		0/1-3-6/13-16/23/24/40/43/44/50/53/54	By selecting a standard motor or constant-torque motor, thermal characteristic and motor constants of each motor are set.	7 Acceleration time 8 Deceleration time 9 Electronic thermal O/L relay	6.7.1 6.7.1 6.8.1
				9999	Applied motor capacity.		
80	Motor capacity	9999		0.1-15kW	Applied motor capacity.	71 Applied motor 80 Motor capacity	6.8.2 6.2.1
				9999	V/F control		
81	Number of motor poles	9999		2/4/6/8/10	Number of motor poles.	81 Number of motor poles	6.2.1
				9999	V/F control		
82	Motor excitation current	9999		0-500A	Tuning data (The value measured by offline auto tuning is automatically set.)	156 Stall prevention operation selection	6.3.5
				9999	Uses the Mitsubishi motor (SF-JR, SF-HR, SF-JRCA, SF-HRCA) constants.		
83	Rated motor voltage	200V class	200V	0-1000V	Rated motor voltage (V).	178-184 Input terminal function selection	6.10.1
		400V class	400V				
84	Rated motor frequency	50Hz		10-120Hz	Rated motor frequency (Hz).	190-192 Output terminal function selection	6.10.5
90	Motor constant (R1)	9999		0-50C/9999	Tuning data (The value measured by offline auto tuning is automatically set.) 9999: Uses the Mitsubishi motor (SF-JR, SF-HR, SF-JRCA, SF-HRCA) constants.		
91	Motor constant (R2)	9999		0-50C/9999			
92	Motor constant (L1)	9999		0-1000mH/9999			
93	Motor constant (L2)	9999		0-1000mH/9999			
94	Motor constant (X)	9999		0-100%/9999			
96	Auto tuning setting/status	0		0	Offline auto tuning is not performed		
				1	For advanced magnetic flux vector control Offline auto tuning is performed without motor running (all motor constants).		
				11	For general-purpose magnetic flux vector control Offline auto tuning is performed without motor running. (motor constant (R1) only)		
				21	Offline auto tuning for V/F control (automatic restart after instantaneous power failure (with frequency search))		
859	Torque current	9999		0-500A	Tuning data (The value measured by offline auto tuning is automatically set.)		
				9999	Uses the Mitsubishi motor (SF-JR, SF-HR, SF-JRCA, SF-HRCA) constants.		

The above parameters can be set when Pr. 160 "User group read selection" = 0.



The setting range and increments of Pr. 82, Pr. 90 to Pr. 94 and Pr. 859 changes according to the setting value of Pr. 71 and Pr. 96.

Applied Motor		Internal Stored Value <sup>①</sup>		Direct Input Value <sup>②</sup>		Auto Tuning Measured Value <sup>③</sup>	
Pr.	Function Name	Setting Range	Setting Increments	Setting Range	Setting Increments	Setting Range	Setting Increments
82	Motor excitation current	0–500A, 9999	0.01A	0–500A, 9999	0.01A	0–****, 9999	1
90	Motor constant R1	0–50Ω, 9999	0.001Ω	0–50Ω, 9999	0.001Ω	0–****, 9999	1
91	Motor constant R2	0–50Ω, 9999	0.001Ω	0–50Ω, 9999	0.001Ω	0–****, 9999	1
92	Motor constant L1	0–1000mH, 9999	0.1mH	0–50Ω, 9999	0.001Ω	0–****, 9999	1
93	Motor constant L2	0–1000mH, 9999	0.1mH	0–50Ω, 9999	0.001Ω	0–****, 9999	1
94	Motor constant X	0–100%, 9999	0.1%	0–500Ω, 9999	0.01Ω	0–****, 9999	1
859	Torque current	0–500A, 9999	0.01A	0–500A, 9999	0.01A	0–****, 9999	1

**Tab. 6-11:** Parameter setting ranges

- ① When Pr. 71 = "0, 1, 40 or 50", or setting value of Pr. 96 read after performing offline auto tuning is not "3, 13, 23".
  - ② When Pr. 71 = "5, 6, 15, or 16"
  - ③ When Pr. 71 = "3, 13, 23, 43 or 53" and setting value of Pr. 96 read after performing offline auto tuning is "3, 13, 23". Or when Pr. 71 = "4, 14, 24, 44 or 54".
- This function is made valid only when a value other than "9999" is set in Pr. 80 and Pr. 81 and advanced magnetic flux vector control or general-purpose magnetic flux vector control is selected.
  - You can copy the offline auto tuning data (motor constants) to another inverter with the PU (FR-PU07).
  - Even when motors (other manufacturer's motor, SF-JRC etc.) other than Mitsubishi standard motor (SF-JR 0.2kW or more), high efficiency motor (SF-HR 0.2kW or more) and Mitsubishi constant-torque motor (SF-JRCA four-pole, SF-HRCA 0.2kW to 15kW) are used or the wiring length is long (30m or more), using the offline auto tuning function runs the motor with the optimum operating characteristics.
  - Tuning is enabled even when a load is connected to the motor.



**CAUTION:**

***As the motor may run slightly, fix the motor securely with a mechanical brake or make sure that there will be no problem in safety if the motor runs (caution is required especially in elevator). Note that tuning performance is unaffected even if the motor runs slightly.***

- Reading/writing/copy of motor constants tuned by offline auto tuning are enabled.
- The offline auto tuning status can be monitored with the operation panel and PU (FR-PU04/FR-PU07).
- Do not connect a surge voltage suppression filter (FFR-DT) between the inverter and motor.

**Before performing offline auto tuning**

Check the following before performing offline auto tuning.

- Make sure advanced magnetic flux vector control or general-purpose magnetic flux vector control (Pr. 80, Pr. 81) is selected. (Tuning can be performed even under V/F control selected by turning on X18.)
- A motor should be connected. Note that the motor should be at a stop at a tuning start.
- The motor capacity should be equal to or one rank lower than the inverter capacity.
- The maximum frequency is 120Hz.
- A high-slip motor, high-speed motor and special motor cannot be tuned.



**CAUTION:**

***As the motor may run slightly, fix the motor securely with a mechanical brake or make sure that there will be no problem in safety if the motor runs (caution is required especially in elevator). Note that tuning performance is unaffected even if the motor runs slightly.***

- Offline auto tuning will not be performed properly if it is performed with a surge voltage suppression filter (FFR-DT) connected between the inverter and motor. Remove it before starting tuning.

**Setting**

- Select advanced magnetic flux vector control (refer to section 6.3.2) or general-purpose magnetic flux vector control (refer to section 6.3.3).
- Set "1" or "11" in Pr. 96 "Auto tuning setting/status".
  - When the setting is "1": Tune all motor constants without running the motor. When performing advanced magnetic flux vector control, set "1" to perform tuning. It takes approximately 25 to 75s (depending on the inverter inverter capacity and motor type) until tuning is completed. (Excitation noise is produced during tuning.)
  - When the setting is "11": Tune motor constants (R1) only without running the motor. When performing general-purpose magnetic flux vector control, set "11" to perform tuning. It takes approximately 9s until tuning is completed.
- Set the rated motor current (initial value is rated inverter current) in Pr. 9 "Electronic thermal O/L relay". (Refer to section 6.8.)
- Set the rated voltage of motor (initial value is 400V) in Pr. 83 "Motor rated voltage" and rated motor frequency (initial value is 50Hz) in Pr. 84 "Rated motor frequency".
- Set Pr. 71 "Applied motor" according to the motor used.

Motor		Pr. 71 ①
Mitsubishi standard motor Mitsubishi high efficiency motor	SF-JR	3
	SF-JR 4P-1.5kW or less	23
	SF-HR	43
	Others	3
Mitsubishi constant-torque motor	SF-JRCA 4P	13
	SF-HRCA	53
	Others (SF-JRC, etc.)	13
Other manufacturer's standard motor	—	3
Other manufacturer's constant-torque motor	—	13

**Tab. 6-12: Motor selection**

① Refer to section 6.8.2, for other settings of Pr. 71.

**Execution of tuning****CAUTION:**

***Before performing tuning, check the monitor display of the operation panel or parameter unit (FR-PU04/FR-PU07) if the inverter is in the status for tuning (refer to Tab. 6-13). When the start command is turned on under V/F control, the motor starts.***

When performing tuning or PU operation, press the RUN key of the operation panel or the FWD or REV key of the parameter unit (FR-PU04/FR-PU07).

For external operation, turn on the run command (STF signal or STR signal). Tuning starts.

**NOTES**

To force tuning to end, use the MRS or RES signal or press the STOP/RESET key of the operation panel. (Turning the start signal (STF signal or STR signal) off also ends tuning.)

During offline auto tuning, only the following I/O signals are valid: (initial value)

– Input terminal (valid signal):

MRS, RES, STF, STR

– Output terminal:

RUN, AM, A, B, C

Note that the progress status of offline auto tuning is output in eight steps from AM when speed and output frequency are selected.

Since the RUN signal turns on when tuning is started, caution is required especially when a sequence which releases a mechanical brake by the RUN signal has been designed.

When executing offline auto tuning, input the run command after switching on the main circuit power (R/L1, S/L2, T/L3) of the inverter.

Do not perform ON/OFF switching of the second function selection signal (RT) during execution of offline autotuning. Auto tuning is not executed properly.

Do not connect a surge voltage suppression filter (FFR-DT) between the inverter and motor.

### Display during tuning

Monitor is displayed on the operation panel and parameter unit (FR-PU04/FR-PU07) during tuning as below. The value displayed corresponds to the value of parameter 96.

	Parameter Unit (FR-PU04/FR-PU07) Display		Operation Panel Indication	
	1	11	1	11
Setting				
Tuning in progress				
Normal end				
Error end (when inverter protective function operation is activated)				

**Tab. 6-13:** Display during tuning (monitor display)

Offline Auto Tuning Setting	Time
Tune all motor constants (Pr. 96 = 1)	Approximately 25 to 75s (Tuning time differs according to the inverter capacity and motor type.)
Tune motor constants (R1) only (Pr. 96 = 11)	Approximately 9s

**Tab. 6-14:** Offline auto tuning time (when the initial value is set)

**NOTE**

The set frequency monitor displayed during the offline auto tuning is 0Hz.

### Return to normal operation

When offline auto tuning ends, press the STOP/RESET key of the operation panel during PU operation. For external operation, turn off the start signal (STF signal or STR signal) once. This operation resets the offline auto tuning and the PU's monitor display returns to the normal indication. (Without this operation, next operation cannot be started.)

**NOTE**

Do not change the Pr. 96 setting after completion of tuning (3 or 13). If the Pr. 96 setting is changed, tuning data is made invalid. If the Pr. 96 setting is changed, tuning must be performed again.

If offline auto tuning ended in error (see the table below), motor constants are not set. Perform an inverter reset and restart tuning.

Pr. 96 Setting	Error Cause	Remedy
8	Forced end	Set "1" or "11" in Pr. 96 and perform tuning again.
9	Inverter protective function operation	Make setting again.
91	Current limit (stall prevention) function was activated.	Set "1" in Pr. 156.
92	Converter output voltage reached 75% of rated value.	Check for fluctuation of power supply voltage.
93	– Calculation error – A motor is not connected.	Check the motor wiring and make setting again. Set the rated current of the motor in Pr. 9.

**Tab. 6-15:** Parameter 96 setting

When tuning is ended forcibly by pressing the STOP/RESET key or turning off the start signal (STF or STR) during tuning, offline autotuning does not end normally. (The motor constants have not been set.) Perform an inverter reset and restart tuning.

When using the motor corresponding to the following specifications and conditions, reset Pr. 9 Electronic thermal O/L relay as below after tuning is completed.

- When the rated power specifications of the motor is 200/220V(400/440V) 60Hz, set 1.1 times rated motor current value in Pr. 9.
- When performing motor protection from overheat using a PTC thermistor or motor with temperature detector such as Klixon, set "0" (motor overheat protection by the inverter is invalid) in Pr. 9.

#### NOTES

The motor constants measured once in the offline auto tuning are stored as parameters and their data are held until the offline auto tuning is performed again.

An instantaneous power failure occurring during tuning will result in a tuning error. After power is restored, the inverter goes into the normal operation mode. Therefore, when STF (STR) signal is on, the motor runs in the forward (reverse) rotation.

Any alarm occurring during tuning is handled as in the ordinary mode. Note that if a fault retry has been set, retry is ignored.



#### CAUTION:

**As the motor may run slightly, fix the motor securely with a mechanical brake or make sure that there will be no problem in safety if the motor runs (caution is required especially in elevator). Note that tuning performance is unaffected even if the motor runs slightly.**

**Utilizing or changing offline auto tuning data for use**

The data measured in the offline auto tuning can be read and utilized or changed.

① Set Pr. 71 according to the motor used:

Motor		Pr. 71 <sup>①</sup>
Mitsubishi standard motor, Mitsubishi high efficiency motor	SF-JR	4
	SF-JR 4P (1.5kW or less)	24
	SF-HR	44
	Others	4
Mitsubishi constant-torque motor	SF-JRCA 4P	14
	SF-HRCA 4P	54
	Others (SF-JRC, etc.)	14
Other manufacturer's standard motor	—	4
Other manufacturer's constant-torque motor	—	14

**Tab. 6-16:** Motor selection

① For other settings of Pr. 71, refer to section 6.8.2.

② In the parameter setting mode, read the following parameters and set desired values.

Parameter	Name	Setting Range	Setting Increments	Initial Value
82	Motor excitation current	0_****, 9999	1	9999
90	Motor constant R1	0_****, 9999	1	9999
91	Motor constant R2	0_****, 9999	1	9999
92	Motor constant L1	0_****, 9999	1	9999
93	Motor constant L2	0_****, 9999	1	9999
94	Motor constant X	0_****, 9999	1	9999
859	Torque current	0_****, 9999	1	9999

**Tab. 6-17:** Parameter setting ranges

**NOTES**

When "9999" is set in Pr. 82, Pr. 90 to Pr. 94, Pr. 859, Mitsubishi motor (SF-JR, SF-HR, SF-JRCA, SF-HRCA) constants are used.

As the motor constants measured in the offline auto tuning have been converted into internal data (\*\*\*\*), refer to the following setting example when making setting:

Setting example:

To slightly increase Pr. 90 value (5%)

When Pr. 90 is displayed as "2516", set 2642, i.e.  $2516 \times 1.05 = 2641.8$ , in Pr. 90.

(The value displayed has been converted into a value for internal use. Hence, simple addition of a given value to the displayed value has no significance.)

**Method to set the motor constants without using the offline auto tuning data**

The Pr. 90 to Pr. 94 motor constants may either be entered in [ $\Omega$ ,  $m\Omega$ ] or in [mH]. Before starting operation, confirm which motor constant unit is used.

**To enter the Pr. 90 to Pr. 94 motor constants in [ $\Omega$ ]/[ $m\Omega$ ]**

① Set Pr. 71 according to the motor used:

	Star Connection Motor	Delta Connection Motor
Standard motor	5	6
Constant-torque motor	15	16

**Tab. 6-18:** Setting of parameter 71

② In the parameter setting mode, read the following parameters and set desired values.

$I_q$  = torque current,  $I_{100}$  = rated current,  $I_0$  = no load current

$$I_q = \sqrt{I_{100}^2 - I_0^2}$$

Pr.	Name	Setting Range	Setting Increments	Initial Value
82	Motor excitation current (no load current)	0–500A, 9999	0.01A	9999
90	Motor constant R1	0–50 $\Omega$ , 9999	0.001 $\Omega$	9999
91	Motor constant R2	0–50 $\Omega$ , 9999	0.001 $\Omega$	9999
92	Motor constant L1	0–50 $\Omega$ , 9999	0.001 $\Omega$	9999
93	Motor constant L2	0–50 $\Omega$ , 9999	0.001 $\Omega$	9999
94	Motor constant X	0–500 $\Omega$ , 9999	0.01 $\Omega$	9999
859	Torque current	0–500A, 9999	0.01A	9999

**Tab. 6-19:** Setting of parameter 82, 90 to 94 and 859

③ Refer to the following table and set Pr. 83 and Pr. 84.

Pr.	Name	Setting Range	Setting Increments	Initial Value
83	Rated motor voltage	0–1000V	0.1V	400V
84	Rated motor frequency	10–120Hz	0.01Hz	50Hz

**Tab. 6-20:** Setting of parameter 83 and 84

**NOTES**

When "9999" is set in Pr. 82, Pr. 90 to Pr. 94, Pr. 859, Mitsubishi motor (SF-JR, SF-HR, SF-JRCA, SF-HRCA) constants are used.

If "star connection" is mistaken for "delta connection" or vice versa during setting of Pr. 71, advanced magnetic flux vector control and general-purpose magnetic flux vector control cannot be exercised properly.

**To enter the Pr. 90 and Pr. 94 motor constants in [mH]**

① Set Pr. 71 according to the motor used:

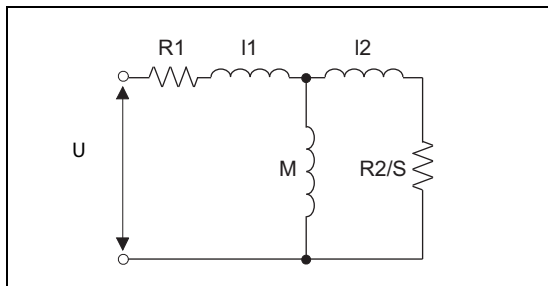
Motor		Pr. 71 ①
Mitsubishi standard motor, Mitsubishi high efficiency motor	SF-JR	0
	SF-HR	40
Mitsubishi constant-torque motor	SF-JRCA 4P	1
	SF-HRCA	50

**Tab. 6-21:** Motor selection

① For other settings of Pr. 71, refer to section 6.8.2.

② In the parameter setting mode, read the following parameters and set desired values. Calculate the Pr. 94 value from the following formula.

$$\text{Pr. 94} = \left( 1 - \frac{M^2}{L1 \times L2} \right) \times 100 [\%]$$



**Fig. 6-40:**  
Motor equivalent circuit diagram

I001556E

- R1: Primary resistance
- R2: Secondary resistance
- l1: Primary leakage inductance
- l2: Secondary leakage inductance
- M: Excitation inductance
- S: Slip
- L1 = l1 + M: Primary inductance
- L2 = l2 + M: Secondary inductance



Pr.	Name	Setting Range	Setting Increments	Initial Value
82	Motor excitation current (no load current)	0–500A, 9999	0.01A	9999
90	Motor constant R1	0–50Ω, 9999	0.001Ω	9999
91	Motor constant R2	0–50Ω, 9999	0.001Ω	9999
92	Motor constant L1	0–1000mH, 9999	0.1mH	9999
93	Motor constant L2	0–1000mH, 9999	0.1mH	9999
94	Motor constant X	0–100%, 9999	0.1%	9999
859	Torque current	0–500A, 9999	0.01A	9999

**Tab. 6-22:** Setting of parameter 82, 90 to 94 and 859

③ Refer to the following table and set Pr. 83 and Pr. 84.

Pr.	Name	Setting Range	Setting Increments	Initial Value
83	Rated motor voltage	0–1000V	0.1V	400V
84	Rated motor frequency	10–120Hz	0.01Hz	50Hz

**Tab. 6-23:** Setting of parameter 83 and 84

**NOTE**

When "9999" is set in Pr. 82, Pr. 90 to Pr. 94, Pr. 859, Mitsubishi motor (SF-JR, SF-HR, SF-JRCA, SF-HRCA) constants are used.

## 6.9 Motor brake and stop operation

Purpose	Parameters that must be set		Refer to Section
Motor braking torque adjustment	DC injection brake	Pr. 10–Pr. 12	6.9.1
Improve the motor braking torque with an option	Selection of a regenerative brake	Pr. 30, Pr. 70	6.9.2
Coast the motor to a stop	Selection of motor stopping method	Pr. 250	6.9.3
Used to stop the motor with a mechanical brake (vibration restraint at stop-on-contact)	Stop-on-contact control	Pr. 6, Pr. 48, Pr. 270, Pr. 275, Pr. 276	6.9.4
Used to stop the motor with a mechanical brake (operation timing of a mechanical brake)	Brake sequence function	Pr. 278–Pr. 283, Pr. 292	6.9.5

### 6.9.1 DC injection brake (Pr. 10 to Pr. 12)

The FR-E700SC EC frequency inverter has an adjustable DC brake function.

This function uses the eddy current brake principle, stopping the motor by applying a pulsed DC voltage to the motor stator.

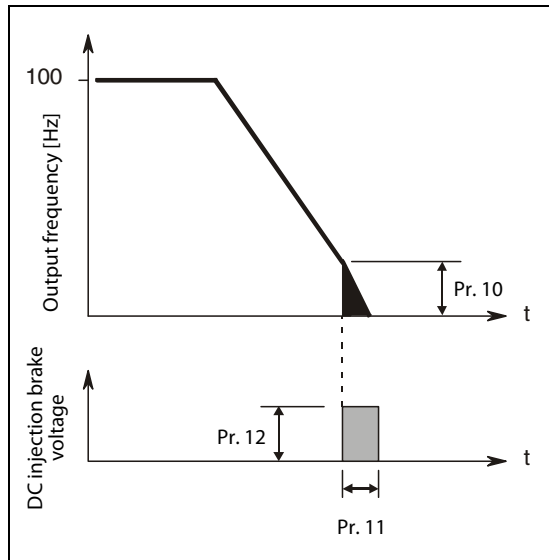
The pulsed DC voltage applied to the motor stator can achieve stopping torques of around 25 to 30% of the motor's rated torque.

Pr. No.	Name	Initial Value		Setting Range	Description	Parameters referred to	Refer to Section
10	DC injection brake operation frequency	3Hz		0–120Hz	Set the operation frequency of the DC injection brake.	13 Starting frequency 71 Applied motor	6.7.2 6.8.2
		0.5s		0	DC injection brake disabled		
11	DC injection brake operation time	0.5s		0.1–10s	Set the operation time of the DC injection brake.		
		FR-E720S-008SC to 015SC	6%	0–30%	Set the DC injection brake voltage (torque). When "0" is set, DC injection brake is disabled.		
FR-E720S-030SC to 110SC, FR-E740-016SC to 170SC	4%						
FR-E740-230SC and 300SC	2%						

The above parameters can be set when Pr. 160 "User group read selection" = 0.

### Operation frequency setting (Pr. 10)

When the frequency at which the DC injection brake operates is set to Pr. 10, the DC injection brake is operated when this frequency is reached during deceleration.



**Fig. 6-41:**

When Pr. 11 is set to a value between 0.1 and 10s

1000007C

### Operation time setting (Pr. 11)

Use Pr. 11 to set the duration period the DC injection brake is applied.

When the motor does not stop due to large load moment (J), increasing the setting produces an effect.

When Pr. 11 = 0s, the DC injection brake is not operated. (At a stop, the motor coasts.)

**Operation voltage (torque) setting (Pr. 12)**

Use Pr. 12 to set the percentage to the power supply voltage.

When Pr. 12 = 0%, the DC injection brake is not operated. (At a stop, the motor coasts.)

When using the constant-torque motor (SF-JRCA) and energy saving motor (SF-HR, SF-HRCA), change the Pr. 12 setting as follows:

Constant-torque motor:

FR-E720S-110SC or less, FR-E740-095SC or less .....4%  
 FR-E740-120SC or more .....2%

Energy saving motor SF-HR, SF-HRCA:

FR-E720S-110SC or less, FR-E740-095SC or less .....4%  
 FR-E740-120SC and 170SC .....3%  
 FR-E740-230SC and 300SC .....2%

**NOTES**

For the FR-E740-120SC and 170SC, when the Pr. 12 setting is the following, changing the Pr. 71 "Applied motor" setting automatically changes the Pr. 12 setting. Therefore, it is not necessary to change the Pr. 12 setting.

**Parameter 12 = 4% (initial value)**

The Pr. 12 setting is automatically changed to 2% if the Pr. 71 value is changed from the value selecting the standard motor (0, 3 to 6, 23, 24, 40, 43, 44) to the value selecting the constant torque motor (1, 13 to 16, 50, 53, 54).

**Parameter 12 = 2%**

The Pr. 12 setting is automatically changed to 4% (initial value) if the Pr. 71 value is changed from the value selecting the constant torque motor (1, 13 to 16, 50, 53, 54) to the value selecting the standard motor (0, 3 to 6, 23, 24, 40, 43, 44).

Even if the Pr. 12 setting is increased, braking torque is limited so that the output current is within the rated inverter current.

As stop holding torque is not produced, install a mechanical brake.

### 6.9.2 Selection of a regenerative brake (Pr. 30, Pr. 70)

- When making frequent starts/stops, use the optional high-duty brake resistor (FR-ABR) and brake unit (FR-BU2) to increase the regenerative brake duty.
- Use a power regeneration common converter (FR-CV) for continuous operation in regeneration status.  
Use the high power factor converter (FR-HC) to reduce harmonics, improve the power factor, or continuously use the regenerative status.

Pr. No.	Name	Initial Value	Setting Range	Description
30	Regenerative function selection	0	0	Inverter without regenerative function Brake unit (FR-BU2) Power regeneration common converter (FR-CV) High power factor converter (FR-HC)
			1	High-duty brake resistor (FR-ABR)
			2	High power factor converter (FR-HC) when automatic restart after instantaneous power failure is selected
70	Special regenerative brake duty	0%	0–30%	Brake duty when using the high-duty brake resistor (FR-ABR)(10%)

Parameters referred to	Refer to Section
57 Restart coasting time	6.12.1
178–184 Input terminal function selection	6.10.1
190–192 Output terminal function selection	6.10.5

The above parameters can be set when Pr. 160 "User group read selection" = 0.

#### When using the brake unit (FR-BU2), power regeneration common converter (FR-CV), and high power factor converter (FR-HC)

Set Pr. 30 to "0" (initial value). The Pr. 70 setting is made invalid. At this time, the regenerative brake duty is as follows.

- FR-E720S-030SC or more .....3%
- FR-E740-016SC or more.....2%
- Assign the inverter operation enable signal (X10) to the contact input terminal.  
To make protective coordination with the FR-HC and FR-CV, use the inverter operation enable signal to shut off the inverter output.  
Input the RDY signal of the FR-HC (RDYB signal of the FR-CV).
- For the terminal used for X10 signal input, assign its function by setting "10" (X10) to any of Pr. 178 to Pr. 184.

#### When using the high-duty brake resistor (FR-ABR) (FR-E720S-030SC or more, FR-E740-016SC or more)

Set "1" in Pr. 30. Set Pr. 70 as follows.

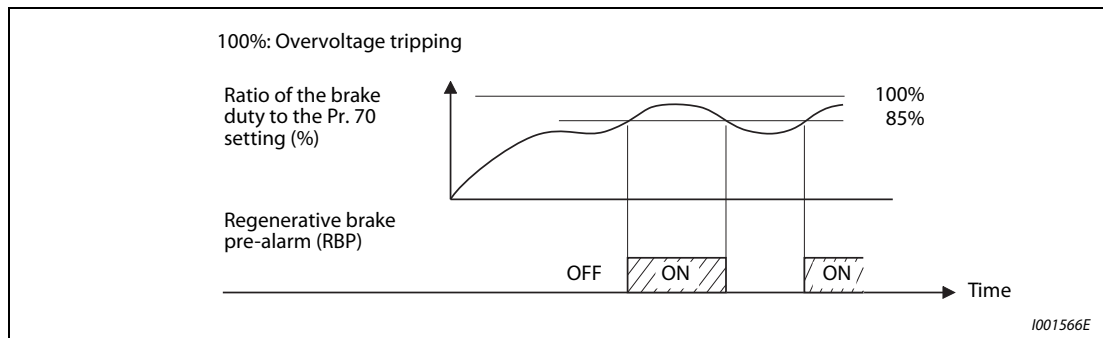
- FR-E720S-100SC or less, FR-E740-170SC or less.....10%
- FR-E740-230SC and 300SC .....6%

**When a high power factor converter (FR-HC) is used and automatic restart after instantaneous power failure function is made valid.**

- When automatic restart after instantaneous power failure function of both the FR-HC and inverter is made valid (when a value other than "9999" is set in Pr. 57 "Restart coasting time"), set "2" in Pr. 30.
- Set Pr. 70 to "0%" (initial value).
- When the FR-HC detects power failure during inverter operation, the RDY signal turns on, resulting in the motor coasting. Turning the RDY signal off after power restoration, the inverter detects the motor speed (depends on the Pr. 162 "Automatic restart after instantaneous power failure selection") and restarts automatically after instantaneous power failure.

**Regenerative brake duty alarm output and alarm signal (RBP signal)**

- [RB] appears on the operation panel and an alarm signal (RBP) is output when 85% of the regenerative brake duty set in Pr. 70 is reached. If the regenerative brake duty reaches 100% of the Pr. 70 setting, a regenerative overvoltage (E.OV1 to E.OV3) occurs. Note that [RB] is not displayed when Pr. 30 = "0".
- The inverter does not trip even when the alarm (RBP) signal is output.
- For the terminal used for the RBP signal output, assign the function by setting "7 (positive logic) or 107 (negative logic)" in any of Pr. 190 to Pr. 192 "Output terminal function selection".



**Fig. 6-42:** Regenerative overload

**NOTES**

- | The MRS signal can also be used instead of the X10 signal.
- | Refer to section 3.7 for connecting the high-duty brake resistor (FR-ABR), brake unit (FR-BU2), high power factor converter (FR-HC), and power regeneration common converter (FR-CV).
- | When terminal assignment is changed using Pr. 178 to Pr. 184 "Input terminal function selection" and Pr. 190 to Pr. 192 "Output terminal function selection", the other functions may be affected. Make setting after confirming the function of each terminal.



**CAUTION:**

**The value set in Pr. 70 must not exceed the setting of the brake resistor used. Otherwise, the resistor can overheat.**

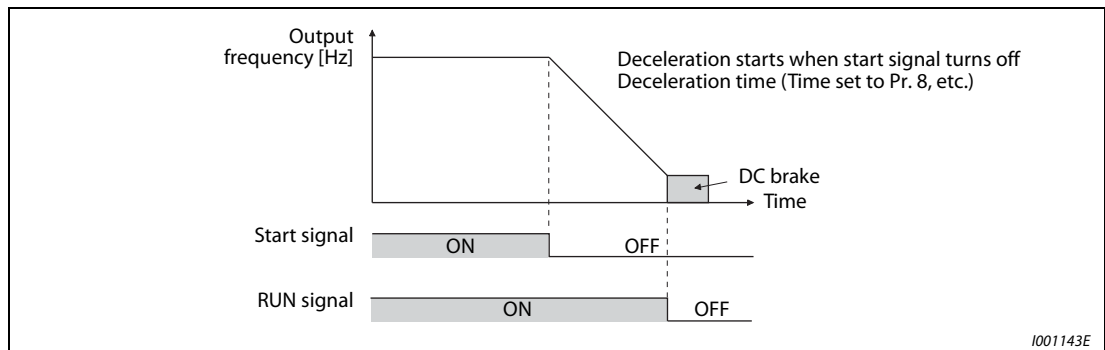
### 6.9.3 Stop selection (Pr. 250)

Used to select the stopping method (deceleration to a stop or coasting) when the start signal turns off. Used to stop the motor with a mechanical brake, etc. together with switching off of the start signal. You can also select the operations of the start signals (STF/STR). (Refer to section 6.10.4 for start signal selection.)

Pr. No.	Name	Initial Value	Setting Range	Description		Parameters referred to	Refer to Section
				Start Signal (STF/STR)	Stop Operation		
250	Stop selection	9999	0-100s	STF: Forward rotation start STR: Reverse rotation start	The motor is coasted to a stop when the preset time elapses after the start signal is turned off.	7 Acceleration time 8 Deceleration time 13 Starting frequency	6.7.1 6.7.1 6.7.2
			1000s - 1100s	STF: Start signal STR: Forward/reverse signal	The motor is coasted to a stop (Pr. 250 - 1000)s after the start signal is turned off.		
			9999	STF: Forward rotation start STR: Reverse rotation start	When the start signal is turned off, the motor decelerates to stop.		
			8888	STF: Start signal STR: Forward/reverse signal			

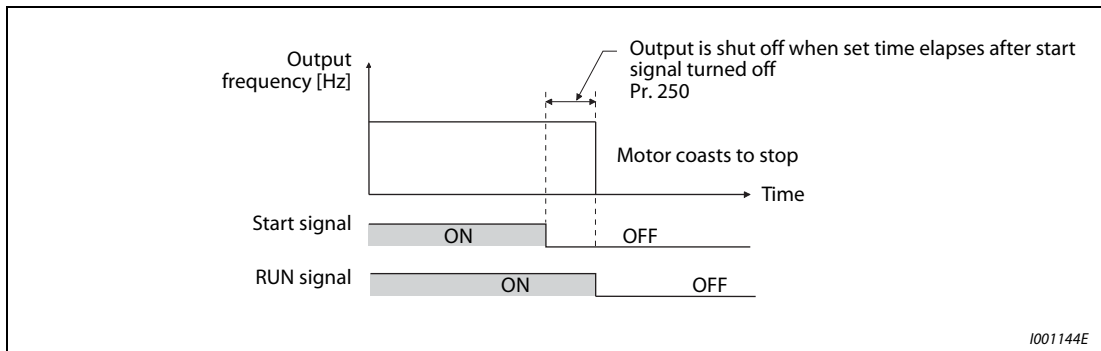
The above parameter can be set when Pr. 160 "User group read selection" = 0.

Set Pr. 250 to "9999" (initial value) or "8888". The motor decelerates to a stop when the start signal (STF/STR) turns off.



**Fig. 6-43:** Stop operation when parameter 250 = 9999

Use Pr. 250 to set the time from when the start signal turns off until the output is shut off. When any of "1000" to "1100" is set, the output is shut off after (Pr. 250 – 1000)s. The output is shut off when the time set in Pr. 250 has elapsed after the start signal had turned off. The motor coasts to a stop.



**Fig. 6-44:** Stop operation when parameter 250  $\neq$  8888 or 9999

#### NOTES

The RUN signal turns off when the output stops.

Stop selection is invalid when the following functions are activated.

- Power failure stop function (Pr. 261)
- PU stop (Pr. 75)
- Deceleration stop because of communication error (Pr. 502)
- Emergency stop by LonWorks communication

When setting of Pr. 250 is not 9999 nor 8888, acceleration/deceleration is performed according to the frequency command, until start signal is OFF and output is shutoff.

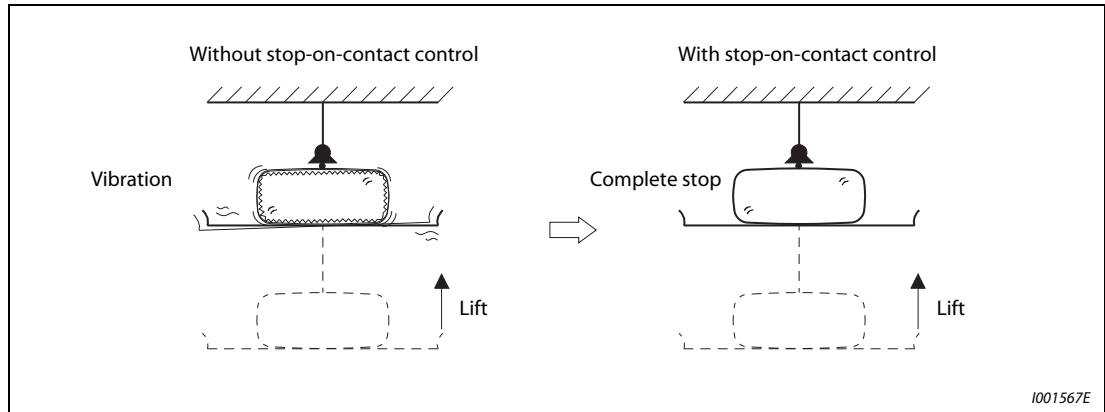
When the start signal is turned on again during motor coasting, the motor starts at Pr. 13 "Starting frequency".



### 6.9.4 Stop-on contact control function

(Pr. 6, Pr. 48, Pr. 270, Pr. 275, Pr. 276)  

To ensure accurate positioning at the upper limit etc. of a lift, stop-on-contact control causes a mechanical brake to be closed while the motor is developing a holding torque to keep the load in contact with a mechanical stopper etc. This function suppresses vibration which is liable to occur when the load is stopped upon contact in vertical motion applications, ensuring steady precise positioning.



**Fig. 6-45:** Suppressing vibration in vertical motion applications

Pr. No.	Name	Initial Value	Setting Range	Description	Parameters referred to	Refer to Section
<b>6</b>	Multi-speed setting (low speed)	10Hz	0–400Hz	Sets the output frequency for stop-on-contact control.	4–6 Multi-speed setting	6.6.1
<b>48</b>	Second stall prevention operation current <sup>①</sup>	9999	0–200%	Sets the stall prevention operation level for stall prevention operation level.	24–27 Jog frequency	6.6.2
			9999	Pr. 22 setting	6.3.5	
<b>270</b>	Stop-on contact control selection <sup>①</sup>	0	0	Normal operation	59 Remote function selection	6.6.3
			1	Stop-on-contact control	72 PWM frequency selection	6.15.1
<b>275</b>	Stop-on contact excitation current low-speed multiplying factor <sup>① ②</sup>	9999	0–300%	Set the force (holding torque) for stop-on-contact control. Normally set 130% to 180%.	79 Operation mode selection	6.18.1
			9999	Without compensation	128 PID action selection	6.20.1
<b>276</b>	PWM carrier frequency at stop-on contact <sup>①</sup>	9999	0–9	Sets a PWM carrier frequency for stop-on-contact control.	178–184 Input terminal function selection	6.10.1
			9999	As set in Pr. 72 "PWM frequency selection".	292 Automatic acceleration/deceleration	6.7.4

- ① The parameter can be set when Pr. 160 "User group read selection" = 0.
- ② This parameter allows its setting to be changed during operation even if "0" (initial value) is set in Pr. 77 "Parameter write selection".

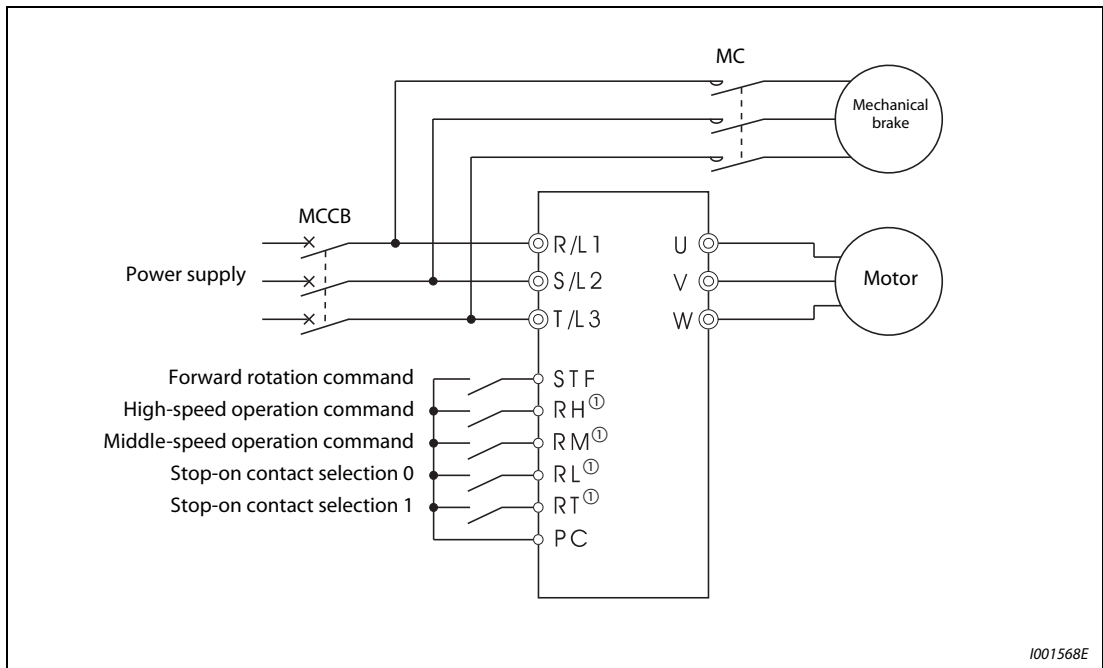


Fig. 6-46: Connection example

① The input signal terminal used differs according to the Pr. 180 to Pr. 184 settings.

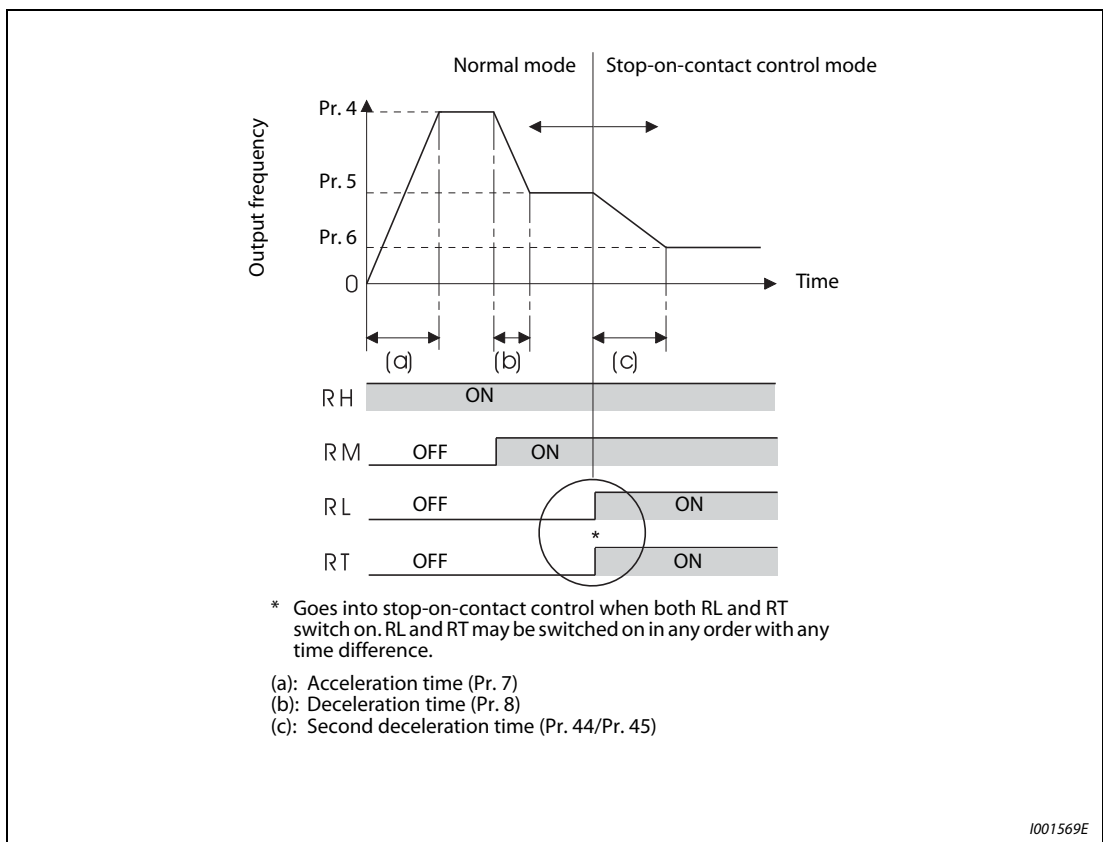


Fig. 6-47: Switching to the stop-on contact control mode

**Set stop-on-contact control**

- Make sure that the inverter is in external operation mode. (Refer to section 6.18.1.)
- Select advanced magnetic flux vector control or general-purpose magnetic flux vector control.
- Set "1" in Pr. 270 "Stop-on contact control selection".
- Set output frequency during stop-on-contact control in Pr. 6 "Multi-speed setting (low speed)". The frequency should be as low as possible (about 2Hz). If it is set to more than 30Hz, the operating frequency will be 30Hz.
- When both the RT and RL signals are switched on, the inverter enters the stop-on-contact mode, in which operation is performed at the frequency set in Pr. 6 independently of the preceding speed.
- For the terminal used for X18 signal input, set "3" in any of Pr. 178 to Pr. 184 "Input terminal function selection" and "0" in Pr. 178 to Pr. 184 "Input terminal function selection" to assign the function.

**NOTES**

By increasing the Pr. 275 setting, the low-speed (stop-on-contact) torque increases, but overcurrent fault (E.OCT) may occur or the machine may oscillate in a stop-on-contact state.

The stop-on-contact function is different from servo-lock function, and if used to stop or hold a load for an extended period, this function can cause the motor to overheat. After a stop, immediately change to a mechanical brake to hold the load.

Under the following operating conditions, the stop-on-contact function is made invalid:

- PU operation (Pr. 79)
- Jog operation (JOG signal)
- PU+external operation (Pr. 79)
- PID control function operation (Pr. 128)
- remote setting function operation (Pr. 59)
- automatic acceleration/deceleration operation (Pr. 292)

**Function switching of stop-on-contact control selection**

Main Functions	Normal Operation (either RL or RT is off or both are off)	With Stop-on-contact Control (both RL and RT are on)
Output frequency	Multi-speed 0 to 5V/0 to 10V/4 to 20mA etc.	Pr. 6
Stall prevention operation level	Pr. 22	Pr. 48 (Pr. 22 when Pr. 48 = 9999)
Excitation current low speed scaling factor	—	Only Pr. 275 (0 to 300%) is compensated from normal operation
Carrier frequency	Pr. 72	Pr. 276 setting when output frequency is 3Hz or less (Pr. 72 when Pr. 276 = 9999)
Fast-response current limit	Valid	Invalid

**Tab. 6-24:** Function switching of stop-on-contact control selection

**Set frequency when stop-on-contact control (Pr. 270 = 1) is selected**

The following table lists the frequencies set when the input terminals (RH, RM, RL, RT, JOG) are selected together.

Stop-on-contact control is invalid when remote setting function is selected (Pr. 59 = 1 to 3).

Input Signal					Stop-on-contact	Set Frequency
RH	RM	RL	RT	JOG		
ON						Pr. 4 "Multi-speed setting (high speed)"
	ON					Pr. 5 "Multi-speed setting (middle speed)"
		ON				Pr. 6 "Multi-speed setting (low speed)"
			ON			By 0 to 5V (0 to 10V), 4 to 20mA input
				ON		Pr. 15 "Jog frequency"
ON	ON					Pr. 26 "Multi-speed setting (speed 6)"
ON		ON				Pr. 25 "Multi-speed setting (speed 5)"
ON			ON			Pr. 4 "Multi-speed setting (high speed)"
ON				ON		Pr. 15 "Jog frequency"
	ON	ON				Pr. 24 "Multi-speed setting (speed 4)"
	ON		ON			Pr. 5 "Multi-speed setting (middle speed)"
	ON			ON		Pr. 15 "Jog frequency"
		ON	ON		Valid	Pr. 6 "Multi-speed setting (low speed)"
		ON		ON		Pr. 15 "Jog frequency"
			ON	ON		Pr. 15 "Jog frequency"
		ON	ON	ON		Pr. 15 "Jog frequency"
	ON		ON	ON		Pr. 15 "Jog frequency"
	ON	ON		ON		Pr. 15 "Jog frequency"
	ON	ON	ON		Valid	Pr. 6 "Multi-speed setting (low speed)"
ON			ON	ON		Pr. 15 "Jog frequency"
ON		ON		ON		Pr. 15 "Jog frequency"
ON		ON	ON		Valid	Pr. 6 "Multi-speed setting (low speed)"
ON	ON			ON		Pr. 15 "Jog frequency"
ON	ON		ON			Pr. 26 "Multi-speed setting (speed 6)"
ON	ON	ON				Pr. 27 "Multi-speed setting (speed 7)"
	ON	ON	ON	ON		Pr. 15 "Jog frequency"
ON		ON	ON	ON		Pr. 15 "Jog frequency"
ON	ON		ON	ON		Pr. 15 "Jog frequency"
ON	ON	ON		ON		Pr. 15 "Jog frequency"
ON	ON	ON	ON		Valid	Pr. 6 "Multi-speed setting (low speed)"
ON	ON	ON	ON	ON		Pr. 15 "Jog frequency"
						By 0 to 5V (0 to 10V), 4 to 20mA input

**Tab. 6-25:** Frequency and combined input signals

**NOTE**

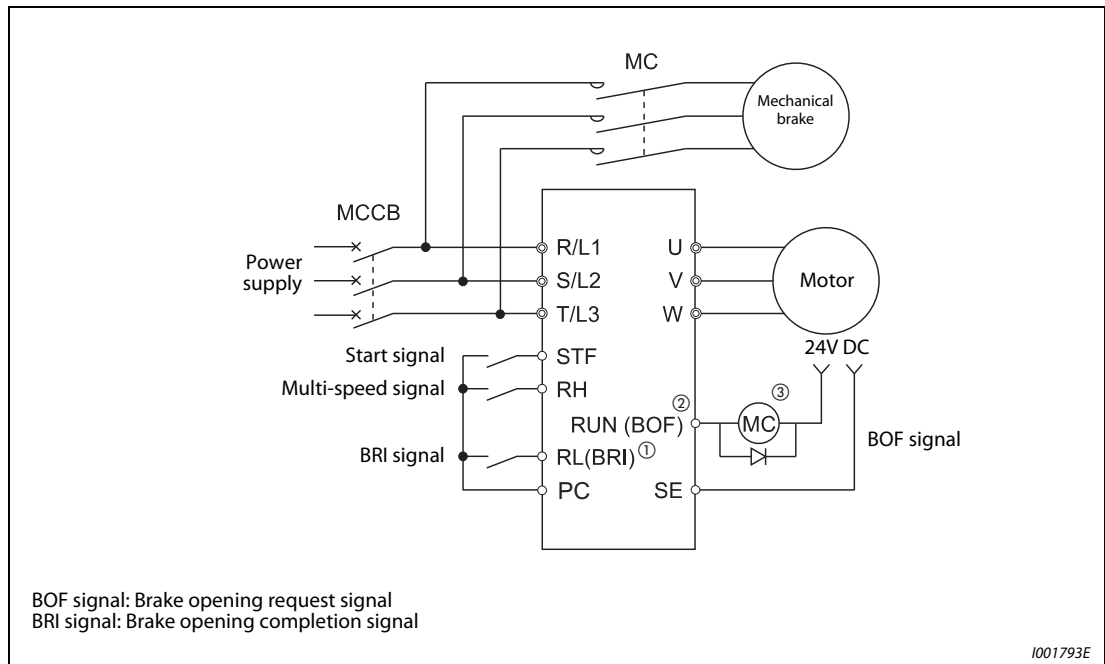
Changing the terminal function using any of Pr. 178 to Pr. 184 may affect the other functions. Make setting after confirming the function of each terminal.

## 6.9.5 Brake sequence function (Pr. 278 to Pr. 283, Pr. 292)

This function is used to output from the inverter the mechanical brake operation timing signal in vertical lift and other applications. This function prevents the load from dropping with gravity at a start due to the operation timing error of the mechanical brake or an overcurrent alarm from occurring at a stop, ensuring secure operation.

Pr. No.	Name	Initial Value	Setting Range	Description	Parameters referred to	Refer to Section
<b>278</b>	Brake opening frequency	3Hz	0–30Hz	Set to the rated slip frequency of the motor + about 1.0Hz. This parameter may be set only if Pr. 278 ≤ Pr. 282.	80 Motor capacity 81 Number of motor poles 180–184 Input terminal function selection 190–192 Output terminal function selection 800 Control method selection	6.2.1 6.2.1 6.10.1 6.10.5 6.3.2
<b>279</b>	Brake opening current	130%	0–200%	Generally, set this parameter to about 50 to 90%. If the setting is too low, the load is liable to drop due to gravity at start. Suppose that the rated inverter current is 100%.		
<b>280</b>	Brake opening current detection time	0.3s	0–2s	Generally, set this parameter to about 0.1 to 0.3s.		
<b>281</b>	Brake operation time at start	0.3s	0–5s	When Pr. 292 = 7, set the mechanical delay time until the brake is loosened. Set the mechanical delay time until the brake is loosened + about 0.1 to 0.2s when Pr. 292 = 8.		
<b>282</b>	Brake operation frequency	6Hz	0–30Hz	Set the frequency to activate the mechanical brake by turning off the brake opening request signal (BOF). Generally, set this parameter to the Pr. 278 setting + 3 to 4Hz. This parameter may be set only if Pr. 278 ≤ Pr. 282.		
<b>283</b>	Brake operation time at stop	0.3s	0–5s	Set the mechanical delay time until the brake is closed + 0.1s when Pr. 292 = 7. Sets the mechanical delay time until the brake is closed + 0.2 to 0.3s when Pr. 292 = 8.		
<b>292</b>	Automatic acceleration/ deceleration	0	0	Normal operation mode		
			1/11	Shortest acceleration/deceleration mode (Refer to page 6-78.)		
			7	Brake sequence mode 1		
			8	Brake sequence mode 2		

The above parameters can be set when Pr. 160 "User group read selection" = 0.



**Fig. 6-48:** Connection example with mechanical brake (Pr. 184 = 15, Pr. 190 = 20)

- ① The input signal terminal used differs according to the Pr. 178 to Pr. 184 settings.
- ② The output signal terminal used differs according to the Pr. 190 to Pr. 192 settings.
- ③ The current should be within the permissible current of transistor in the inverter. (24V/ 0.1A DC)

**NOTES**

- When brake sequence mode is selected, automatic restart after instantaneous power failure is invalid.
- When using this function, set the acceleration time to 1s or longer.
- Changing the terminal function using any of Pr. 178 to Pr. 184 and Pr. 190 to Pr. 192 may affect the other functions. Make setting after confirming the function of each terminal.

### Set the brake sequence mode

- Select advanced magnetic flux vector control or general-purpose magnetic flux vector control. The brake sequence function is valid only when the external operation mode, external/PU combined operation mode 1 or network operation mode is selected.
- Set "7 or 8" (brake sequence mode) in Pr. 292. To ensure more complete sequence control, it is recommended to set "7" (brake opening completion signal input) in Pr. 292.
- Set "15" in any of Pr. 178 to Pr. 184 "Input terminal function selection" and assign the brake opening completion signal (BRI) to the input terminal.
- Set "20 (positive logic)" or "120 (negative logic)" in any of Pr. 190 to Pr. 192 "Output terminal function selection" and assign the brake opening request signal (BOF) to the output terminal.

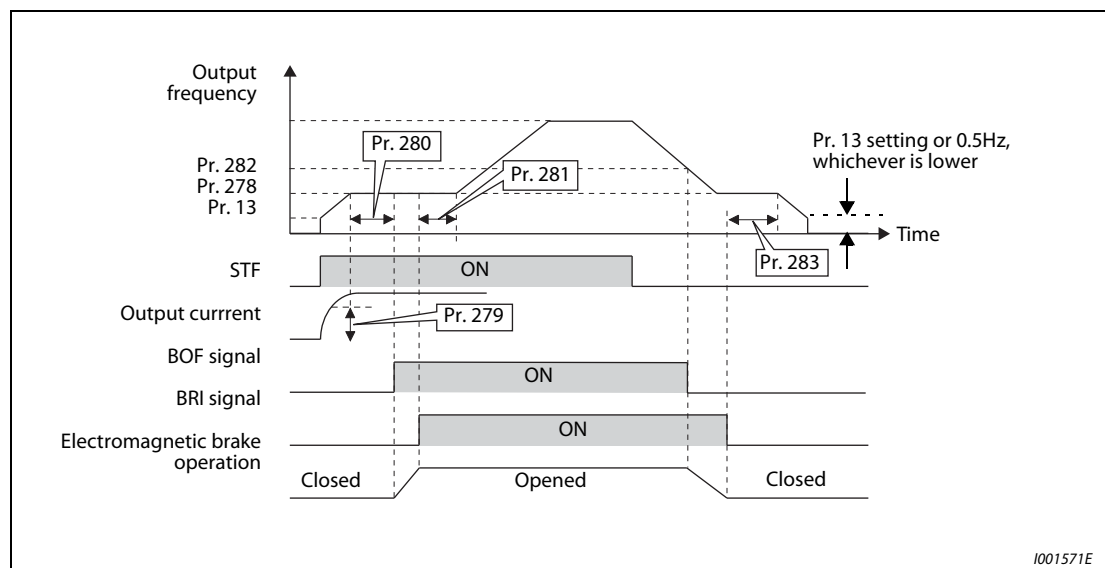


#### CAUTION:

*In lift applications where an inadvertent lifting of the holding brake can lead to personal injury or property damage, the BOF signal may be used for safety reasons only in positive logic, that is, setting "20".*

### With brake opening completion signal input (Pr. 292 = 7)

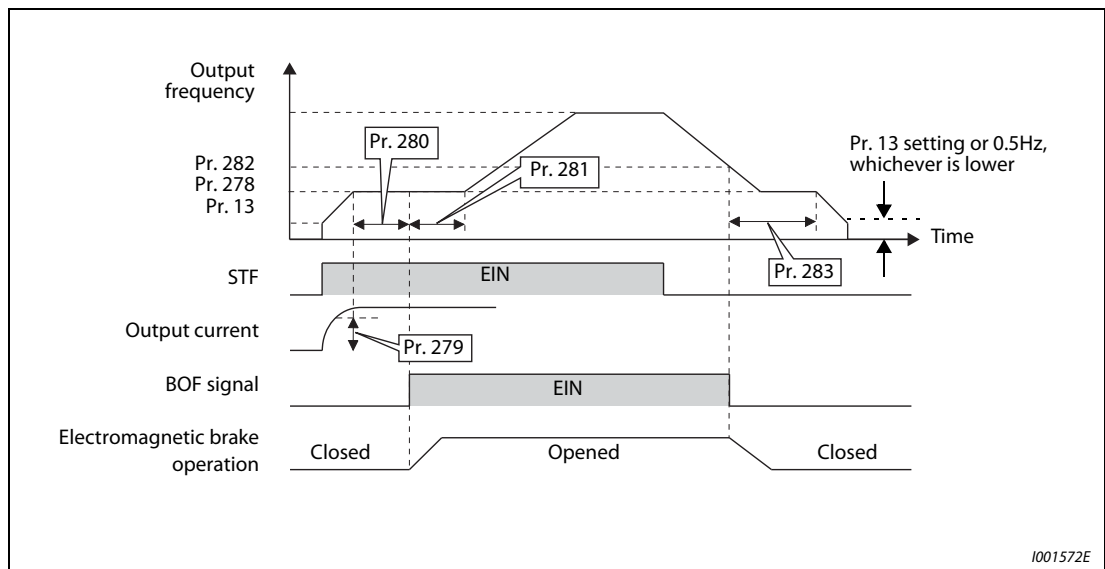
- When the start signal is input to the inverter, the inverter starts running. When the internal speed command reaches the value set in Pr. 278 and the output current is not less than the value set in Pr. 279, the inverter outputs the brake opening request signal (BOF) after the time set in Pr. 280 has elapsed. When the time set in Pr. 281 elapses after the brake opening completion signal (BRI) was activated, the inverter increases the output frequency to the set speed.
- When the inverter decelerates to the frequency set in Pr. 282 during deceleration, the inverter turns OFF the BOF signal and decelerates further to the frequency set in Pr. 278. After electromagnetic brake operation completes and inverter recognizes the turn OFF of BRI signal, the inverter holds the frequency set in Pr. 278 for the time set in Pr. 283. And after the time set in Pr. 283 passes, the inverter decelerates again. The inverter finally stops when its frequency reaches to Pr. 13 "Starting frequency setting" or 0.5Hz, whichever is lower.



**Fig. 6-49:** Operation when Pr. 292 = 7

**With brake opening completion signal input (Pr. 292 = 8)**

- When the start signal is input to the inverter, the inverter starts running. When the internal speed command reaches the value set in Pr. 278 and the output current is not less than the value set in Pr. 279, the inverter outputs the brake opening request signal (BOF) after the time set in Pr. 280 has elapsed. When the time set in Pr. 281 elapses after the BOF signal is output, the inverter increases the output frequency to the set speed.
- When the inverter decelerates to the frequency set in Pr. 282 during deceleration, the inverter turns OFF the BOF signal and decelerates further to the frequency set in Pr. 278. After the turn OFF of BOF signal, the inverter holds the frequency set in Pr. 278 for the time set in Pr. 283. And after the time set in Pr. 283 passes, the inverter decelerates again. The inverter finally stops when its frequency reaches to Pr. 13 "Starting frequency setting" or 0.5Hz, whichever is lower.



**Fig. 6-50:** Operation when Pr. 292 = 8

**NOTE**

If brake sequence mode has been selected, inputting the jog signal (jog operation) or RT signal (second function selection) during an inverter stop will make brake sequence mode invalid and give priority to jog operation or second function selection. Note that JOG and RT signal input is invalid even if JOG signal and RT signal are input during operation in brake sequence mode.



**Protective functions**

If any of the following errors occurs in the brake sequence mode, the inverter results in a fault, trips, and turns off the brake opening request signal (BOF).

Fault Display	Description
E.MB4	Although more than 2s have elapsed after the start command (forward or reverse rotation) is input, the brake opening request signal (BOF) does not turn on.
E.MB5	Although more than 2s have elapsed after the brake opening request signal (BOF) turned on, the brake opening completion signal (BRI) does not turn on.
E.MB6	Though the inverter had turned on the brake opening request signal (BOF), the brake opening completion signal (BRI) turned off midway.
E.MB7	Although more than 2s have elapsed after the brake opening request signal (BOF) turned off at a stop, the brake opening completion signal (BRI) does not turn off.

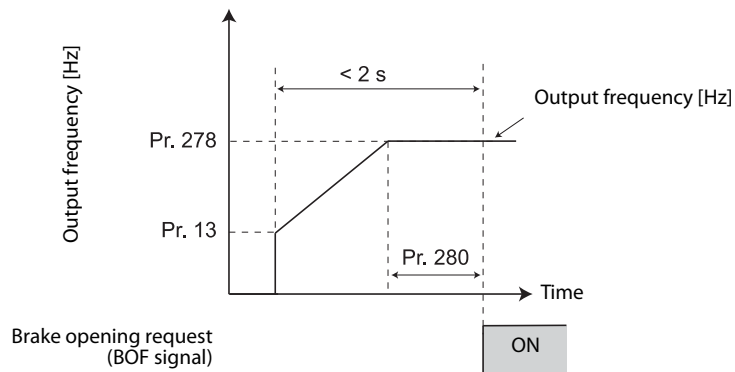
**Tab. 6-26:** Protective functions

**NOTES**

During deceleration, inverter output is shut OFF when the frequency reaches Pr. 13 "Starting frequency" or 0.5Hz, whichever is lower. For Pr. 278 "Brake opening frequency", set Pr. 13 or a frequency equal to or higher than 0.5Hz.

A too large setting of Pr. 278 "Brake opening frequency" activates stall prevention operation and may cause E.MB4.

If the sum of the time between Pr. 13 "Starting frequency" and Pr. 278 "Brake opening frequency" + Pr. 280 "Brake opening current detection time" is more than 2s, E.MB4 occurs.



## 6.10 Function assignment of external terminals

Purpose	Parameters that must be set		Refer to Section
Assign function to input terminal	Input terminal function selection	Pr. 178–Pr. 184	6.10.1
Set MRS signal (output shutoff) to normally closed contact specification	MRS input selection	Pr. 17	6.10.2
Assign start signal and forward/reverse command to other signals	Start signal (STF/STR) operation selection	Pr. 250	6.10.4
Assign function to output terminal	Output terminal function selection	Pr. 190–Pr. 192	6.10.5
Detect output frequency	Up-to-frequency sensitivity Output frequency detection	Pr. 41–Pr. 43	6.10.6
Detect output current	Output current detection Zero current detection	Pr. 150–Pr. 153	6.10.7
Remote output function	Remote output	Pr. 495–Pr. 497	6.10.8

### 6.10.1 Input terminal function selection (Pr. 178 to Pr. 184)

Use these parameters to select/change the input terminal functions.

Pr. No.	Name	Initial Value	Initial Signal	Setting Range	Parameters referred to	Refer to Section
<b>178</b>	STF terminal function selection	60	STF (forward rotation command)	0–5/7/8/10/12/14–16/18/24/25/60/62/65–67/9999	—	
<b>179</b>	STR terminal function selection	61	STR (reverse rotation command)	0–5/7/8/10/12/14–16/18/24/25/61/62/65–67/9999		
<b>180</b>	RL terminal function selection	0	RL (low-speed operation command)	0–5/7/8/10/12/14–16/18/24/25/62/65–67/9999		
<b>181</b>	RM terminal function selection	1	RM (middle-speed operation command)			
<b>182</b>	RH terminal function selection	2	RH (high speed operation command)			
<b>183</b>	MRS bit function selection <sup>①</sup>	24	MRS (output stop)			
<b>184</b>	RES terminal function selection	62	RES (inverter reset)			

The above parameters can be set when Pr. 160 "User group read selection" = 0.

① This setting is active only during the communication operation (refer to section 6.19).

## Input terminal function assignment

Setting	Terminal	Function	Related Parameters	Refer to Page	
0	RL	Pr. 59 = 0 (initial value)	Low-speed operation command	Pr. 4–Pr. 6, Pr. 24–Pr. 27, Pr. 232–Pr. 239	6-58
		Pr. 59 = 1, 2 <sup>①</sup>	Remote setting (setting clear)	Pr. 59	6-65
		Pr. 270 = 1 <sup>②</sup>	Stop-on contact selection 0	Pr. 270, Pr. 275, Pr. 276	6-105
1	RM	Pr. 59 = 0 (initial value)	Middle-speed operation command	Pr. 4–Pr. 6, Pr. 24–Pr. 27, Pr. 232–Pr. 239	6-58
		Pr. 59 = 1, 2 <sup>①</sup>	Remote setting (deceleration)	Pr. 59	6-65
2	RH	Pr. 59 = 0 (initial value)	High-speed operation command	Pr. 4–Pr. 6, Pr. 24–Pr. 27, Pr. 232–Pr. 239	6-58
		Pr. 59 = 1, 2 <sup>①</sup>	Remote setting (acceleration)	Pr. 59	6-65
3	RT	Second function selection		Pr. 44–Pr. 51	6-119
		Pr. 270 = 1 <sup>②</sup>	Stop-on contact selection 1	Pr. 270, Pr. 275, Pr. 276	6-105
4	AU	Terminal 4 input selection		Pr. 267	6-175
5	JOG	Jog operation selection		Pr. 15, Pr. 16	6-61
7	OH	External thermal relay input <sup>③</sup>		Pr. 9	6-80
8	REX	15 speed selection (combination with three speeds RL, RM, RH)		Pr. 4–Pr. 6, Pr. 24–Pr. 27, Pr. 232–Pr. 239	6-58
10	X10	Inverter operation enable signal (FR-HC-, FR-CV connection)		Pr. 30, Pr. 70	6-101
12	X12	PU operation external interlock		Pr. 79	6-204
14	X14	PID control valid terminal		Pr. 127–Pr. 134	6-277
15	BRI	Brake opening completion signal		Pr. 278–Pr. 285	6-109
16	X16	PU-external operation switchover (turning on X16 selects external operation)		Pr. 79, Pr. 340	6-213
18	X18	V/F switchover (V/F control is exercised when X18 is on)		Pr. 80, Pr. 81, Pr. 800	6-31, 6-36, 6-39, 6-88
24	MRS	Output stop		Pr. 17	6-117
25	STOP	Start self-holding selection		—	6-120
60	STF	Forward rotation command (assigned to STF terminal (Pr. 178) only)		—	6-120
61	STR	Reverse rotation command (assigned to STR terminal (Pr. 179) only)		—	6-120
62	RES	Inverter reset		—	—
65	X65	PU/NET operation switchover (turning on X65 selects PU operation)		Pr. 79, Pr. 340	6-216
66	X66	External/NET operation switchover (turning on X66 selects NET operation)		Pr. 79, Pr. 340	6-216
67	X67	Command source switchover (turning on X67 makes Pr. 338 and Pr. 339 commands valid)		Pr. 338, Pr. 339	6-218
9999	—	No function		—	—

**Tab.6-27:** Input terminal function assignment

- ① When Pr. 59 "Remote function selection" = 1 or 2, the functions of the RL, RM and RH signals are changed as given in the table.
- ② When Pr. 270 "Stop-on contact control selection" = 1, functions of RL and RT signals are changed as in the table.
- ③ The OH signal turns on when the relay contact "opens".

**NOTES**

Changing the terminal assignment using Pr. 178 to Pr. 184 "Input terminal function selection" may affect the other functions. Please make setting after confirming the function of each terminal.

Same function can be assigned to two or more terminals. In this case, the logic of terminal input is OR.

The priorities of the speed commands are in order of jog, multi-speed setting (RH, RM, RL, REX) and PID (X14).

When the X10 signal (FR-HC, FR-CV connection - inverter operation enable signal) is not set, the MRS signal shares this function.

When the PU operation external interlock (X12) signal is not assigned at the Pr. 79 "Operation mode selection" setting of "7", the MRS signal shares this function.

Use common terminals to assign multi-speeds (7 speeds) and remote setting. They cannot be set individually. (Common terminals are used since these functions are designed for speed setting and need not be set at the same time.)

Switch the control method using external terminal (X18 signal) during an inverter stop. If control method between V/F control and Advanced (General-purpose magnetic) flux vector control is switched during the operation, the actual switchover does not take place until the inverter stops. In addition, if control method is switched to V/F control during the operation, only second function becomes valid as V/F control and second function are selected simultaneously in V/F control.

Turning the AU signal on makes terminal 2 (voltage input) invalid.

**Response time of each signal**

The response time of the X10 signal and MRS signal is within 2ms.

The response time of other signals is within 20ms.

### 6.10.2 Inverter output shutoff signal (MRS signal, Pr. 17)

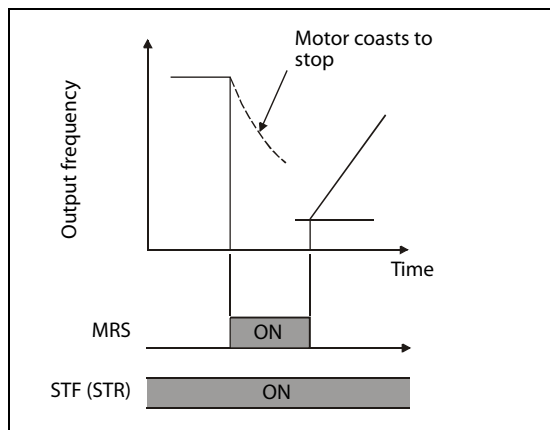
The inverter output can be shut off from the MRS signal. The logic of the MRS signal can also be selected.

Pr. No.	Name	Initial Value	Setting Range	Description	Parameters referred to	Refer to Section
17	MRS input selection	0	0	Normally open input	178–184 Input terminal function selection	6.10.1
			2	Normally closed input (NC contact input specifications)		
			4	External terminal: Normally closed input (NC contact input specifications)Communication: Normally open input		

The above parameter can be set when Pr. 160 "User group read selection" = 0.

#### Output shutoff signal

Turning on the output shutoff signal (MRS) during inverter running shuts off the output immediately.



**Fig. 6-51:**  
Output shutoff signal

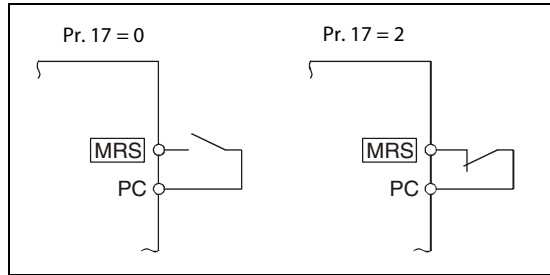
1001325C

Terminal MRS may be used as described below:

- When mechanical brake (e.g. electromagnetic brake) is used to stop motor. The inverter output is shut off when the mechanical brake operates.
- To provide interlock to disable operation by the inverter. With the MRS signal on, the inverter cannot be operated if the start signal is entered into the inverter.
- Coast the motor to a stop. When the start signal is turned off, the inverter decelerates the motor to a stop in the preset deceleration time, but when the MRS signal is turned on, the motor coasts to a stop.

**MRS signal logic inversion**

When Pr. 17 is set to "2", the MRS signal (output stop) can be changed to the normally closed (NC contact) input specification. When the MRS signal turns on (opens), the inverter shuts off the output.



**Fig. 6-52:**  
Connection of the MRS signal in source logic

1000011C

**Assign a different action for each MRS signal input from communication and external terminal (Pr. 17 = 4)**

When Pr. 17 is set to "4", the MRS signal from external terminal (output stop) can be changed to the normally closed (NC contact) input, and the MRS signal from communication can be changed to the normally open (NO contact) input.

This function is useful to perform operation by communication with MRS signal from external terminal remained on.

External MRS	Communication MRS	Pr. 17		
		0	2	4
OFF	OFF	Operation enabled	Output shutoff	Output shutoff
OFF	ON	Output shutoff	Output shutoff	Output shutoff
ON	OFF	Output shutoff	Output shutoff	Operation enabled
ON	ON	Output shutoff	Operation enabled	Output shutoff

**Tab. 6-28:** Activating the output shutoff by external signal or communication

**NOTES**

For MRS signal, assign the function by setting "24" to any of Pr. 178 to Pr. 184 "Input terminal function selection".

When using an external terminal to input the MRS signal, the MRS signal shuts off the output in any of the operation modes.

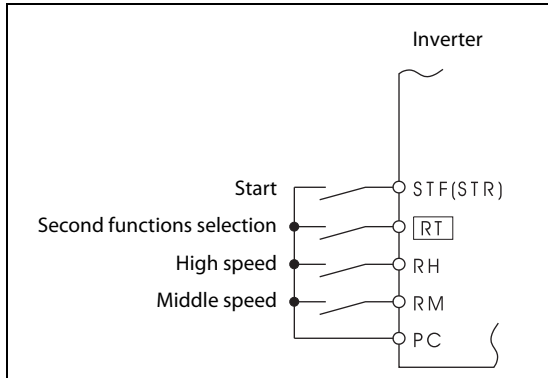
Changing the terminal assignment using Pr. 178 to Pr. 184 "Input terminal function selection" may affect the other functions. Make setting after confirming the function of each terminal.

### 6.10.3 Condition selection of function validity by second function selection signal (RT, Pr. 155)

You can select the second function using the RT signal. For the RT signal, set "3" in any of Pr. 178 to Pr. 184 "Input terminal function selection" to assign the function.

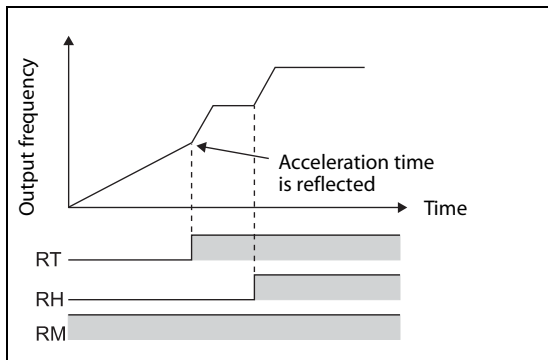
The second function has the following applications:

- Switching between normal use and emergency use.
- Switching between heavy load and light load.
- Changing of acceleration/deceleration time by broken line acceleration/deceleration.
- Switching of characteristic between main motor and sub motor.



**Fig. 6-53:**  
Second functions connection diagram

1001145C



**Fig. 6-54:**  
Second acceleration/deceleration time example

1001794E

Following functions that can be set as second functions:

Function	Parameter Number as		Refer to Page
	1st Function	2nd Function	
Torque boost	Pr. 0	Pr. 46	6-33
Base frequency	Pr. 3	Pr. 47	6-54
Acceleration time	Pr. 7	Pr. 44	6-69
Deceleration time	Pr. 8	Pr. 44, Pr. 45	6-69
Electronic thermal relay function	Pr. 9	Pr. 51	6-80
Stall prevention	Pr. 22	Pr. 48	6-42
Applied motor	Pr. 71	Pr. 450	6-85

**Tab. 6-29:** Functions that can be set as second functions

**NOTES**

When the RT signal is on, the above second function is selected at the same time.

Changing the terminal assignment using Pr. 178 to Pr. 184 "Input terminal function selection" may affect the other functions. Make setting after confirming the function of each terminal.

### 6.10.4 Start signal selection (Terminal STF, STR, STOP, Pr. 250)

You can select the operation of the start signal (STF/STR).

Used to select the stopping method (deceleration to a stop or coasting) when the start signal turns off.  
 Used to stop the motor with a mechanical brake, etc. together with switching off of the start signal.  
 (Refer to section 6.9.3 for stop selection.)

Pr. No.	Name	Initial Value	Setting Range	Description		Parameters referred to	Refer to Section
				Start Signal (STF/STR)	Stop Operation		
250	Stop selection	9999	0-100s	STF: Forward rotation start STR: Reverse rotation start	The motor is coasted to a stop when the preset time elapses after the start signal is turned off.	4-6 Multi-speed setting 178-184 Input terminal function selection	6.6.1 6.10.1
			1000s - 1100s	STF: Start signal STR: Forward/reverse signal	The motor is coasted to a stop (Pr. 250 - 1000)s after the start signal is turned off.		
			9999	STF: Forward rotation start STR: Reverse rotation start	When the start signal is turned off, the motor decelerates to stop.		
			8888	STF: Start signal STR: Forward/reverse signal			

The above parameter can be set when Pr. 160 "User group read selection" = 0.

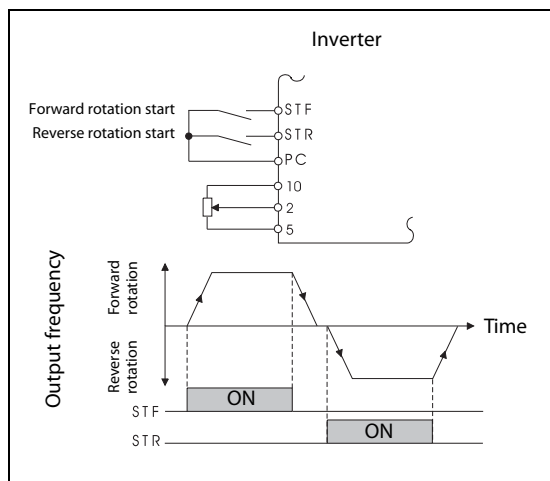
#### 2-wire type (terminals STF and STR)

A two-wire type connection is shown below.

In the initial setting, the forward/reverse rotation signals (STF/STR) are used as start and stop signals. Turn on either of the forward and reverse rotation signals to start the motor in the corresponding direction. If both are turned off (or on) during operation, the inverter decelerates to a stop.

The speed setting signal may either be given by entering 0 to 10V DC across the speed setting input terminal 2-5, by setting the required values in Pr. 4 to Pr. 6 "Multi-speed setting" (high, middle, low speeds), etc. (For multi-speed operation, refer to section 6.6.1).

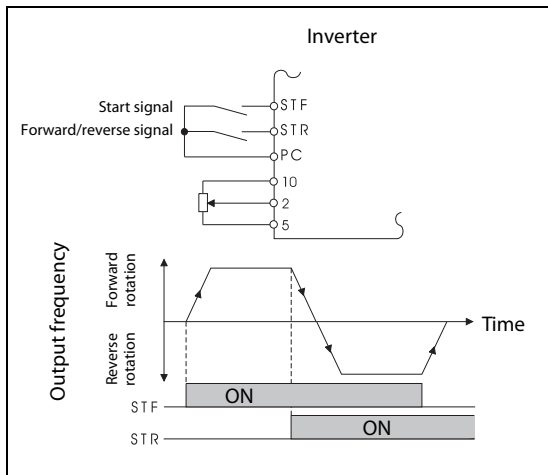
When Pr. 250 is set to any of "1000 to 1100, 8888", the STF signal becomes a start command and the STR signal a forward/reverse command.



**Fig. 6-55:**  
2-wire type connection (Pr. 250 = 9999)

1001148E





**Fig. 6-56:**  
2-wire type connection (Pr. 250 = 8888)

I001149E

**NOTES**

When Pr. 250 is set to any of "0 to 100, 1000 to 1100", the motor coasts to a stop if the start command is turned off. (Refer to section 6.9.3.)

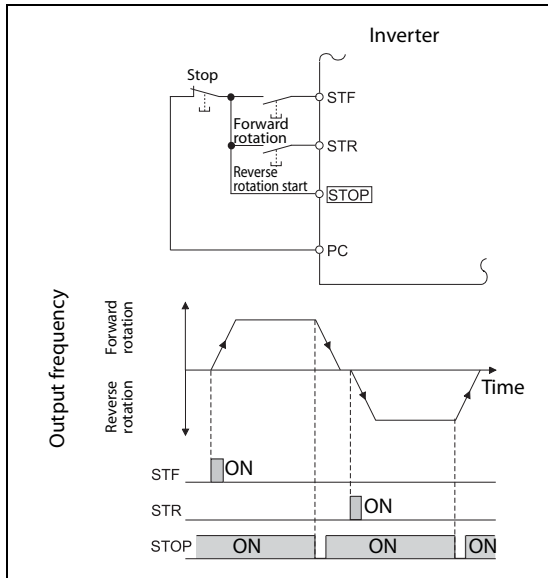
The STF and STR signals are assigned to the STF and STR terminals in the initial setting. The STF signal can be assigned to Pr. 178 "STF terminal function selection" and the STR signal to Pr. 179 "STR terminal function selection" only.

**3-wire type (terminals STF, STR and STOP)**

A three-wire type connection is shown below.

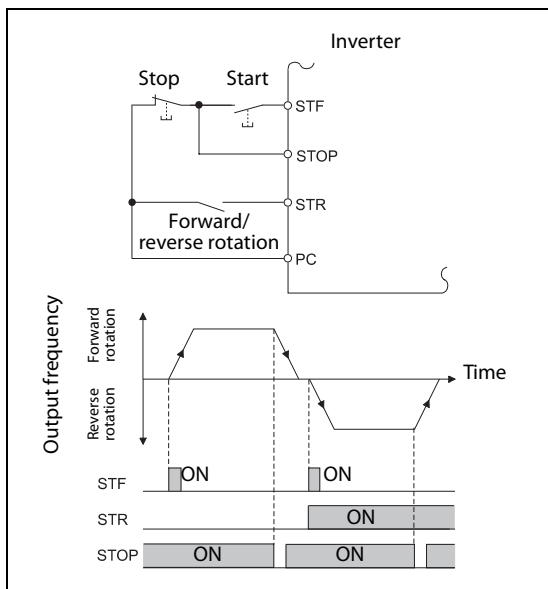
The start self-holding selection becomes valid when the STOP signal is turned on. In this case, the forward/reverse rotation signal functions only as a start signal.

If the start signal (STF or STR) is turned on and then off, the start signal is held and makes a start. When changing the direction of rotation, turn STR (STF) on once and then off. To stop the inverter, turning off the STOP signal once decelerates it to a stop. When using the STOP signal, set "25" in Pr. 178 to Pr. 184 to assign function.



**Fig. 6-57:**  
3-wire type connection (Pr. 250 = 9999)

I001150E



**Fig. 6-58:**  
3-wire type connection (Pr. 250 = 8888)

I001151E

**NOTES**

When the JOG signal is turned on to enable jog operation, the STOP signal becomes invalid.

If the MRS signal is turned on to stop the output, the self-holding function is not cancelled.

**Start signal selection**

STF	STR	Setting Inverter Status	
		Pr. 250 = 0–100s/9999	Pr. 250 = 1000–1100s/8888
OFF	OFF	Stop	Stop
OFF	ON	Reverse rotation	
ON	OFF	Forward rotation	Forward rotation
ON	ON	Stop	Reverse rotation

**Tab. 6-30:** Start signal selection

## 6.10.5 Output terminal function selection (Pr. 190 to Pr. 192)

You can change the functions of the open collector output terminal and relay output terminal.

Pr. No.	Name	Initial Value	Initial Signal	Setting Range	Parameters referred to	Refer to Section
190	RUN terminal function selection	0	RUN (inverter running)	0/1/3/4/7/8/11-16/20/25/26/46/47/64/80/81/90/91/93/95/96/98/99/100/101/103/104/107/108/111-116/120/125/126/146/147/164/180/181/190/191/193/195/196/198/199/9999	13 Starting frequency	6.7.2
191	FU terminal function selection	4	FU (output frequency detection)			
192	ABC terminal function selection	99	ALM (alarm output)	0/1/3/4/7/8/11-16/20/25/26/46/47/64/80/81/90/91/95/96/98/99/100/101/103/104/107/108/111-116/120/125/126/146/147/164/180/181/190/191/195/196/198/199/9999		

The above parameter can be set when Pr. 160 "User group read selection" = 0.

You can set the functions of the output terminals.  
Refer to the following table and set the parameters:  
0-99: Source logic  
100-199: Sink logic

Setting		Terminal	Function	Operation	Related Parameters	Refer to Page
Source Logic	Sink Logic					
0	100	RUN	Inverter running	Output during operation when the inverter output frequency rises to or above Pr. 13 "Starting frequency".	—	6-127
1	101	SU	Up to frequency ①	Output when the output frequency is reached to the set frequency.	Pr. 41	6-129
3	103	OL	Overload alarm	Output while stall prevention function is activated.	Pr. 22, Pr. 23, Pr. 66	6-42
4	104	FU	Output frequency detection	Output when the output frequency reaches the frequency setting in Pr. 42 (Pr. 43 for reverse rotation).	Pr. 42, Pr. 43	6-129
7	107	RBP	Regenerative brake prealarm	Output when 85% of the regenerative brake duty set in Pr. 70 is reached.	Pr. 70	6-101
8	108	THP	Electronic thermal O/L relay pre-alarm	Output when the electronic thermal relay function cumulative value reaches 85%. (Electronic thermal relay function protection (E.THT/E.THM) activates, when the value reached 100%.)	Pr. 9	6-84
11	111	RY	Inverter operation ready	Output when the inverter can be started by switching the start signal on or while it is running.	—	6-127
12	112	Y12	Output current detection	Output when the output current is higher than the Pr. 150 setting for longer than the time set in Pr. 151.	Pr. 150, Pr. 151	6-131

**Tab.6-31:** Output terminal function assignment (1)

Setting		Terminal	Function	Operation	Related Parameters	Refer to Page
Source Logic	Sink Logic					
13	113	Y13	Zero current detection	Output when the output power is lower than the Pr. 152 setting for longer than the time set in Pr. 153.	Pr. 152, Pr. 153	6-131
14	114	FDN	PID lower limit	Output when the feedback value falls below the lower limit of PID control.	Pr. 127–Pr. 134	6-277
15	115	FUP	PID upper limit	Output when the feedback value rises above the upper limit of PID control.		
16	116	RL	PID forward/reverse rotation output	Output when forward rotation is performed in PID control.		
20	120	BOF	Brake opening request	Output to open the brake when the brake sequence function is selected.	Pr. 278–Pr. 283, Pr. 292	6-109
25	125	FAN	Fan fault output	Output at the time of a fan fault.	Pr. 244	6-301
26	126	FIN	Heatsink overheat prealarm	Output when the heatsink temperature reaches about 85% of the heatsink overheat protection providing temperature.	—	7-12
46	146	Y46	During deceleration at occurrence of power failure (retained until release)	Output when the power failure-time deceleration function is executed.	Pr. 261	6-163
47	147	PID	During PID control activated	Output during PID control.	Pr. 127–Pr. 134	6-277
64	164	Y64	During retry	Output during retry processing.	Pr. 65–Pr. 69	6-167
80	180	SAFE	Safety monitor output	Output while safety stop function is activated.	—	3-23
81	181	SAFE2	Safety monitor output 2	The signal is output when no internal safety circuit failure (E.SAF, E.6, E.7, E.CPU) exists.	—	3-23
90	190	Y90	Life alarm	Output when any of the control circuit capacitor, main circuit capacitor and inrush current limit circuit or the cooling fan approaches the end of its service life.	Pr. 255–Pr. 259	6-303
91	191	Y91	Alarm output 3 (power-off signal)	Output when an error occurs due to the circuit failure or connection alarm of the inverter.	—	6-128
93	193	Y93	Current average value monitor signal	Average current value and maintenance timer value are output as pulses. The signal can not be set in Pr. 192 "ABC terminal function selection".	Pr. 555–Pr. 557	6-308
95	195	Y95	Maintenance timer signal	Output when Pr. 503 rises to or above the Pr. 504 setting.	Pr. 503, Pr. 504	6-307
96	196	REM	Remote Output	Output to the terminal when a value is set to the parameter.	Pr. 495–Pr. 497	6-133
98	198	LF	Minor fault output	Output when a minor fault (fan failure or communication error warning) occurs.	Pr. 121, Pr. 244	6-232, 6-301

**Tab. 6-31:** Output terminal function assignment (2)

Setting		Terminal	Function	Operation	Related Parameters	Refer to Page
Source Logic	Sink Logic					
99	199	ALM	Alarm output	Output when the inverter's protective function is activated to stop the output (major fault). The signal output is stopped when a reset turns on.	—	6-128
9999		—	No function	—	—	—

**Tab. 6-31:** Output terminal function assignment (3)

- ① Note that when the frequency setting is varied using an analog signal or the digital dial of the operation panel, the output of the SU (up to frequency) signal may alternate on and off depending on that varying speed and the timing of the varying speed due to acceleration/deceleration time setting. (The output will not alternate on and off when the acceleration/deceleration time setting is "05".)

#### NOTES

The same function may be set to more than one terminal.

When the function is executed, the terminal conducts at the setting of any of "0" to "99", and does not conduct at the setting of any of "100" to "199".

Changing the terminal assignment using Pr. 190 to Pr. 192 "Output terminal function selection" may affect the other functions. Make setting after confirming the function of each terminal.

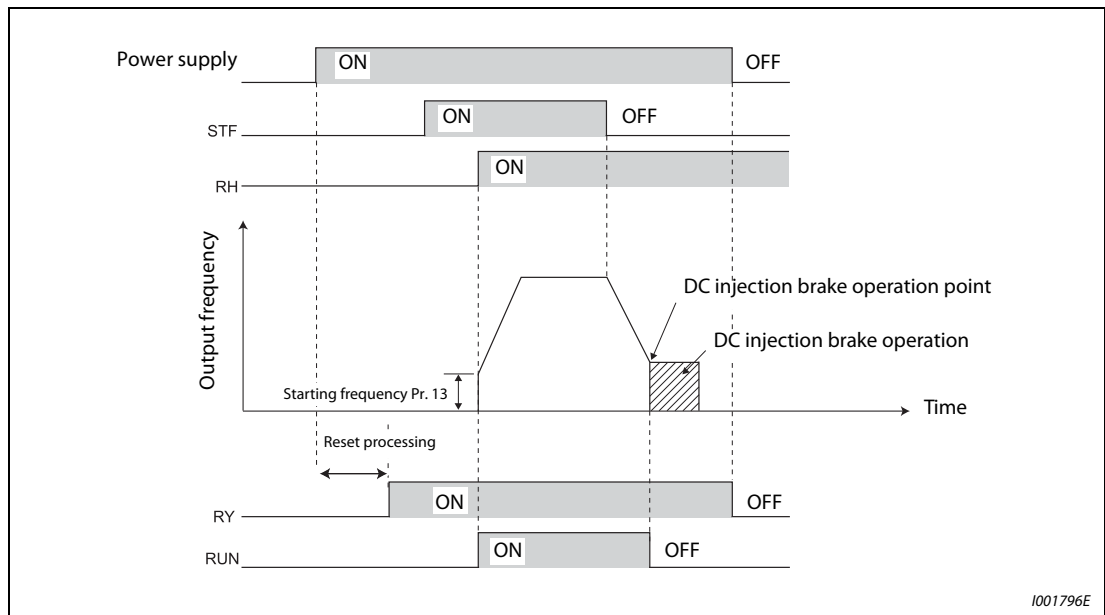
Do not assign signals which repeat frequent ON/OFF to A, B, and C. Otherwise, the life of the relay contact decreases.

**Inverter operation ready signal (RY) and inverter running signal (RUN)**

When the inverter is ready to operate, the output of the operation ready signal (RY) is on. It is also on during inverter running.

When the output frequency of the inverter rises to or above Pr. 13 "Starting frequency", the output of the inverter running signal (RUN) is turned on. During an inverter stop or DC injection brake operation, the output is off.

When using the RY or RUN signal, set "11 (source logic)" or "111 (sink logic)" (RY) or "0 (source logic)" or "100 (sink logic)" (RUN) to any of Pr. 190 to Pr. 192 "Output terminal function selection" to assign the function to the output terminal.



**Fig. 6-59:** Ready and motor running signals

Output Signal	Resetting	Start Signal OFF (during stop)	Start Signal ON (during stop)	Start Signal ON (during operation)	Under DC Injection Brake	Output Shutoff <sup>②</sup>	Automatic Restart after Instantaneous Power Failure		
							Coasting		Restarting
							Start Signal ON	Start Signal OFF	
RY	OFF	ON	ON	ON	ON	OFF	ON <sup>①</sup>		ON
RUN	OFF	OFF	OFF	ON	OFF	OFF	OFF		ON

**Tab. 6-32:** Output signal output

- ① This signal turns OFF during power failure or undervoltage.
- ② Output is shutoff under conditions such as a fault occurrence, MRS signal ON, and the safety stop operation.

**NOTE**

The RUN signal (positive logic) is assigned to the terminal RUN in the initial setting.

### Alarm output signal (ALM)

If the inverter comes to trip, the ALM signal is output. (Refer to section 7.1.)

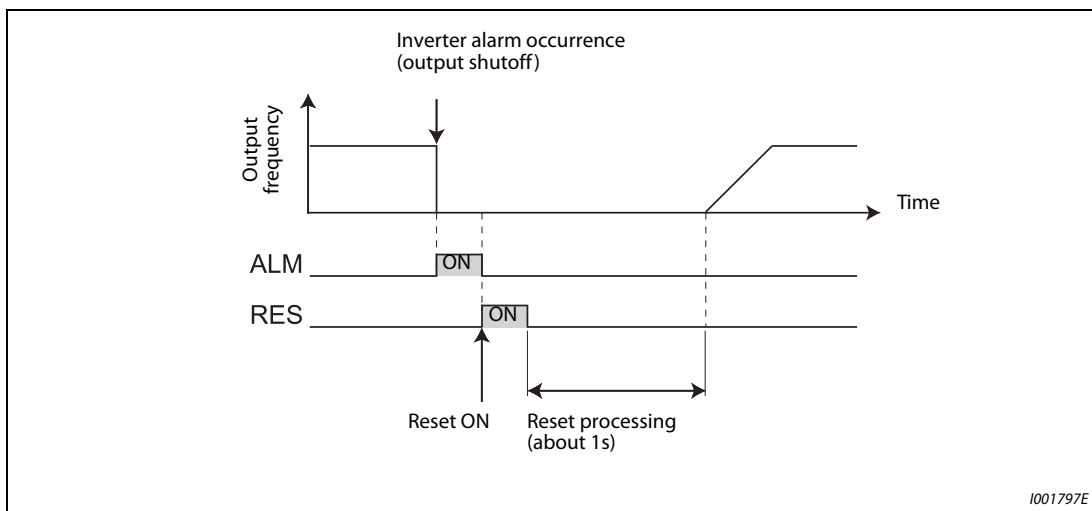


Fig. 6-60: Alarm signals

**NOTE**

The ALM signal is assigned to the ABC contact in the default setting. By setting "99" (positive logic) or "199" (negative logic) in Pr. 190 to Pr. 192 "Output terminal function selection", the ALM signal can be assigned to the other signal.

### Fault output 3 (power-off signal) (Y91)

The Y91 signal is output at occurrence of a fault attributable to the failure of the inverter circuit or a fault caused by a wiring mistake. When using the Y91 signal, set "91" (positive logic) or "191" (negative logic) to any of Pr. 190 to Pr. 192 "Output terminal function selection" to assign the function to the output terminal.

Operation Panel Indication		Name
E. bE	E.BE	Brake transistor alarm detection
E. GF	E.GF	Output side earth (ground) fault overcurrent
E. LF	E.LF	Output phase loss
E. PE	E.PE	Parameter storage device fault
EPE2	E.PE2	Internal board fault
E. 6	E. 6/	CPU fault
E. 7	E. 7	
E.CPU	E.CPU	
EIOH	E.IOH	Inrush current limit circuit fault

Tab. 6-33: Faults that lead to Y91 signal output

**NOTE**

At occurrence of output side earth (ground) fault overcurrent (E.GF), overcurrent trip during acceleration (E.OC1) may be displayed. At this time, the Y91 signal is output.



### 6.10.6 Detection of output frequency (SU, FU, Pr. 41 to Pr. 43)

The inverter output frequency is detected and output to the output signal.

Pr. No.	Name	Initial Value	Setting Range	Description	Parameters referred to	Refer to Section
41	Up-to-frequency sensitivity	10%	0–100%	Set the level where the SU signal turns on.	190–192 Output terminal function selection	6.10.5
42	Output frequency detection	6Hz	0–400Hz	Set the frequency where the FU signal turns on.		
43	Output frequency detection for reverse rotation	9999	0–400Hz	Set the frequency where the FU signal turns on in reverse rotation.		
			9999	Same as Pr. 42 setting		

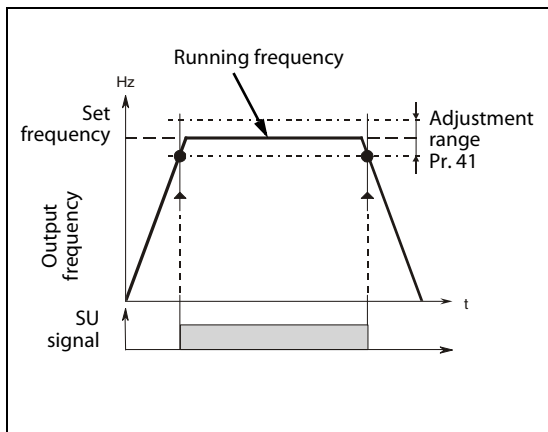
The above parameters can be set when Pr. 160 "User group read selection" = 0.

#### Up-to-frequency sensitivity (SU, Pr. 41)

When the output frequency reaches the set frequency, the up-to-frequency signal (SU) is output. The Pr. 41 value can be adjusted within the range 0% to ±100% on the assumption that the set frequency is 100%.

This parameter can be used to ensure that the running frequency has been reached to provide the operation start signal etc. for related equipment.

When using the SU signal, set "1 (positive logic) or 101 (negative logic)" in Pr. 190 to Pr. 192 "Output terminal function selection" to assign function to the output terminal.



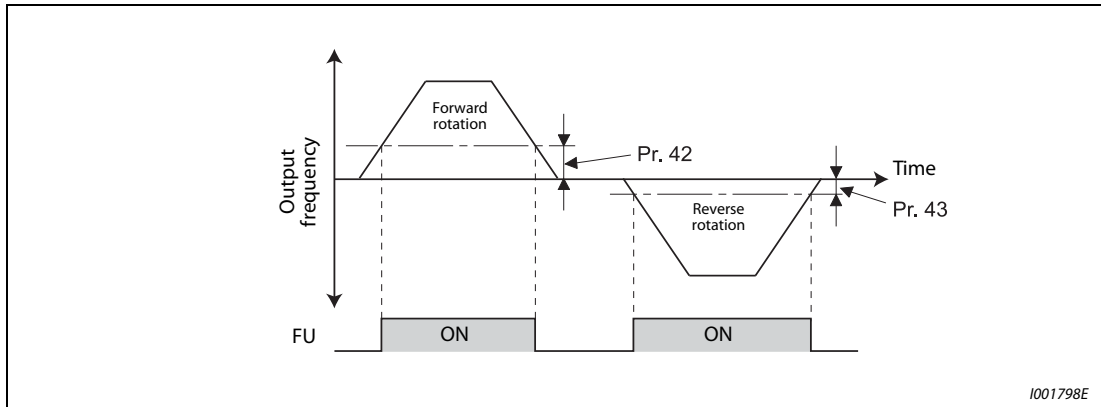
**Fig. 6-61:**  
Output of the SU signal

1000020C

**Output frequency detection (FU, Pr. 42, Pr. 43)**

The output frequency detection signal (FU) is output when the output frequency reaches or exceeds the Pr. 42 setting. This function can be used for electromagnetic brake operation, open signal, etc.

When the detection frequency is set to Pr. 43, frequency detection for reverse operation use only can also be set. This function is effective for switching the timing of electromagnetic brake operation between forward rotation (rise) and reverse rotation (fall) during vertical lift operation, etc. When Pr. 43  $\neq$  9999, the Pr. 42 setting is used for forward rotation and the Pr. 43 setting is used for reverse rotation.



**Fig. 6-62:** Frequency detection for forward and reverse rotation

**NOTES**

The FU signal is assigned to the terminal FU in the initial setting. The FU signal can also be assigned to the other terminal by setting "4 (positive logic) or 104 (negative logic)" in any of Pr. 190 to Pr. 192.

All signals are off during DC injection brake.

The output frequency to be compared with the set frequency is the output frequency before slip compensation is performed.

Changing the terminal assignment using Pr. 190 to Pr. 192 "Output terminal function selection" may affect the other functions. Make setting after confirming the function of each terminal.

## 6.10.7 Output current detection function (Y12, Y13, Pr. 150 to Pr. 153)

The output power during inverter running can be detected and output to the output terminal.

Pr. No.	Name	Initial Value	Setting Range	Description	Parameters referred to	Refer to Section
<b>150</b>	Output current detection level	150%	0–200%	Set the output current detection level. 100% is the rated inverter current.	190–192 Output terminal function selection	6.10.5
<b>151</b>	Output current detection signal delay time	0s	0–10s	Set the output current detection period. Set the time from when the output current has risen above the setting until the output current detection signal (Y12) is output.		
<b>152</b>	Zero current detection level	5%	0–200%	Set the zero current detection level. The rated inverter current is assumed to be 100%.		
<b>153</b>	Zero current detection time	0.5s	0–1s	Set this parameter to define the period from when the output current drops below the Pr. 152 value until the zero current detection signal (Y13) is output.		

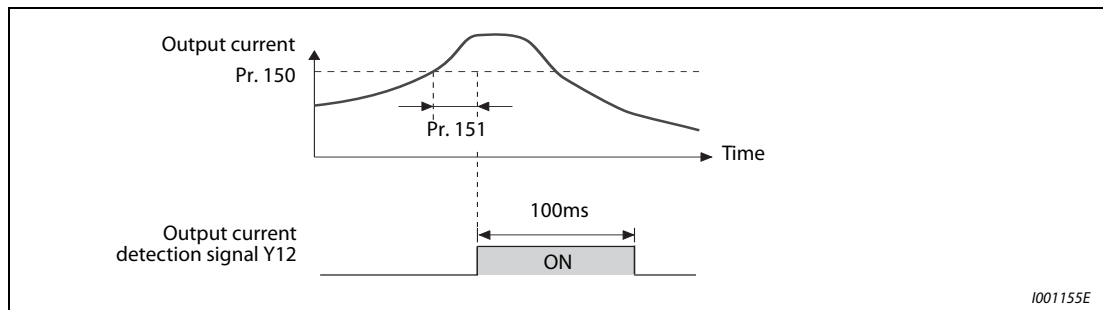
The above parameters can be set when Pr. 160 "User group read selection" = 0.

### Output current detection (Y12, Pr. 150, Pr. 151, Pr. 166, Pr. 167)

The output current detection function can be used for excessive torque detection, etc.

If the output current remains higher than the Pr. 150 setting during inverter operation for longer than the time set in Pr. 151, the output current detection signal (Y12) is output from the inverter's open collector or relay output terminal. When the Y12 signal turns on, the ON state is held for approximately 100ms.

For the Y12 signal, set "12 (positive logic) or 112 (negative logic)" in Pr. 190 to Pr. 192 "Output terminal function selection" and assign functions to the output terminal.



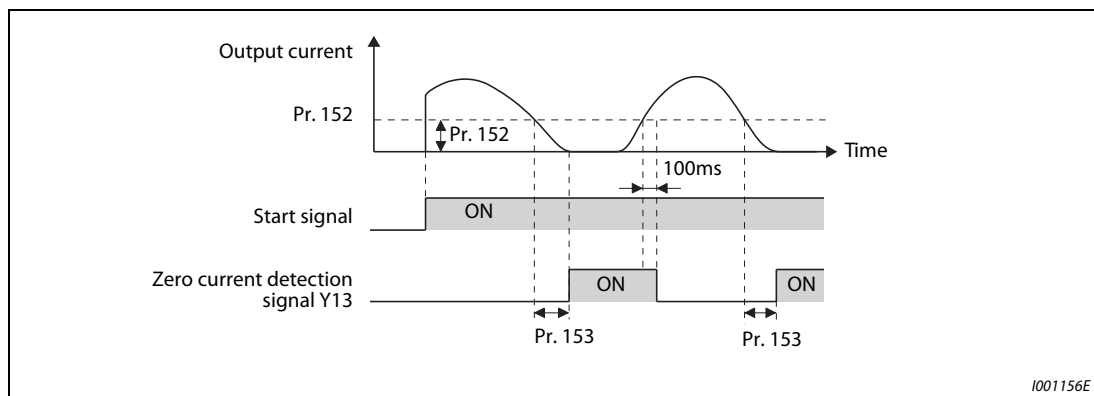
**Fig. 6-63:** Output current detection

**Zero current detection (Y13, Pr. 152, Pr. 153)**

If the output current remains lower than the Pr. 152 setting during inverter operation for longer than the time set in Pr. 153, the zero current detection (Y13) signal is output from the inverter's open collector or relay output terminal. As soon as the signal is output to terminal Y13, it remains turned on for 100ms.

When the inverter's output current falls to "0", torque will not be generated. This may cause a drop due to gravity when the inverter is used in vertical lift application. To prevent this, the output current zero signal (Y13) can be output from the inverter to close the mechanical brake when the output current has fallen to "zero".

Set "13" (source logic) or "113" (sink logic) to any of Pr. 190 to Pr. 192 "Output terminal function selection" to assign the function of the output power detection signal (Y13) to the output terminal.



**Fig. 6-64:** Zero current detection

**NOTES**

- | This function is also valid during execution of the online auto tuning.
- | The response time of Y12 and Y13 signals is approximately 0.1s. Note that the response time changes according to the load condition.
- | When Pr. 152 = "0", detection is disabled.
- | Changing the terminal assignment using Pr. 190 to Pr. 192 "Output terminal function selection" may affect the other functions. Make setting after confirming the function of each terminal.



**CAUTION:**

**The zero current detection level setting should not be too high, and the zero current detection time setting not too long. Otherwise, the detection signal may not be output when torque is not generated at a low output current. To prevent the machine and equipment from resulting in hazardous conditions by use of the zero current detection signal, install a safety backup such as an emergency brake.**

### 6.10.8 Remote output function (REM, Pr. 495 to Pr. 497)

You can utilize the on/off of the inverter's output signals instead of the remote output terminal of the programmable logic controller.

Pr. No.	Name	Initial Value	Setting Range	Description	Parameters referred to	Refer to Section
<b>495</b>	Remote output selection	0	0	Remote output data clear at powering off	190–192 Output terminal function selection	6.10.5
			1	Remote output data retention at powering off		
			10	Remote output data clear at powering off	Remote output data retention at inverter reset	
			11	Remote output data retention at powering off		
<b>496</b>	Remote output data 1 ①	0	0–4095	Refer to Fig. 6-65		
<b>497</b>	Remote output data 2 ①	0	0–4095			

The above parameters can be set when Pr. 160 "User group read selection" = 0.

- ① The above parameters allow its setting to be changed during operation in any operation mode even if "0" (initial value) is set in Pr. 77 "Parameter write selection".

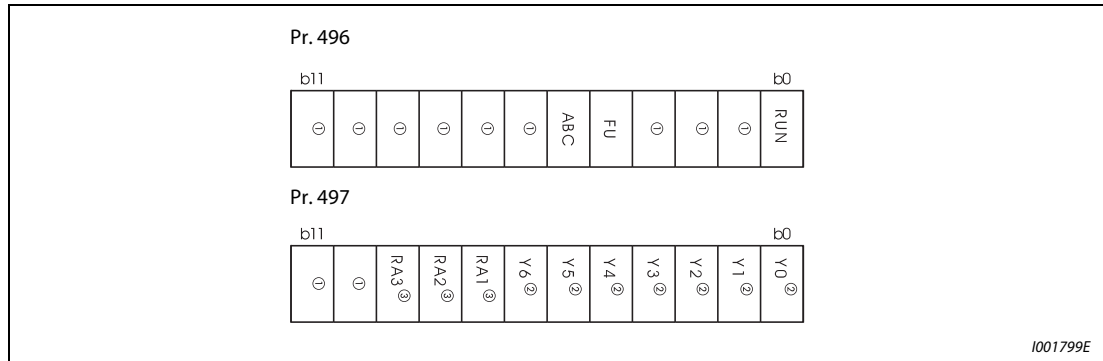
The output terminal can be turned on/off depending on the Pr. 496 or Pr. 497 setting. The remote output selection can be controlled on/off by computer link communication from the PU connector or by communication from the communication option.

Set "96" (positive logic) or "196" (negative logic) to any of Pr. 190 to Pr. 192 "Output terminal function selection", and assign the remote output (REM) signal to the terminal used for remote output.

When you refer to Fig. 6-65 and set "1" to the terminal bit (terminal where the REM signal has been assigned) of Pr. 496 or Pr. 497, the output terminal turns on (off for sink logic). By setting "0", the output terminal turns off (on for sink logic).

**Example** ▽

When "96" (source logic) is set to Pr. 190 "RUN terminal function selection" and "1" (H01) is set to Pr. 496, the terminal RUN turns on.



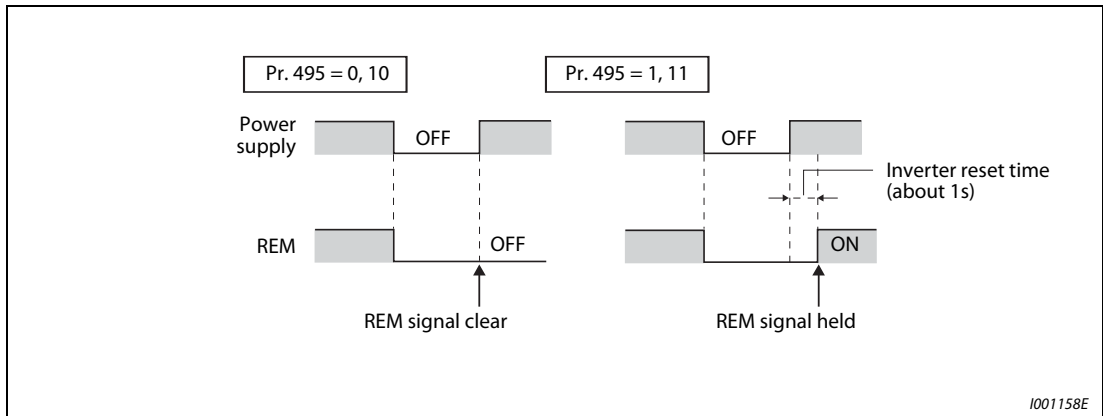
**Fig. 6-65:** Remote output data

- ① As desired (always "0" when read).
- ② Y0 to Y6 are available only when the extension output option (FR-A7AY-Ekit-SC-E) is fitted.
- ③ RA1 to RA3 are available only when the relay output option (FR-A7AR-Ekit-SC-E) is fitted.

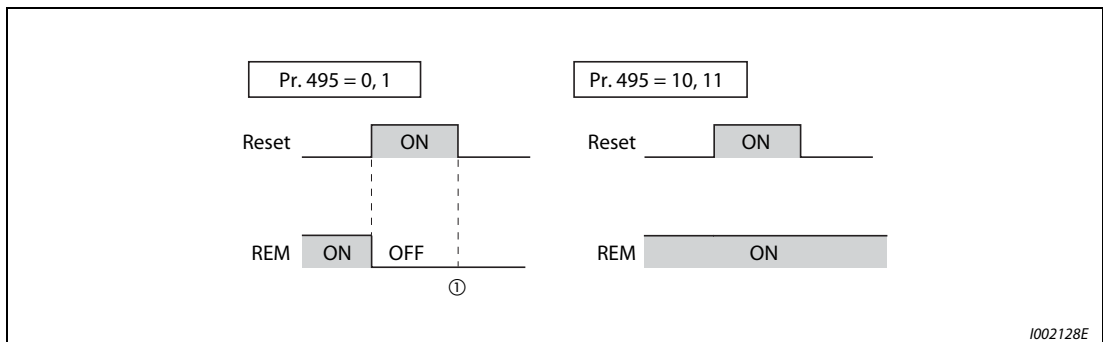
When Pr. 495 = "0" or "10", performing a power supply reset (including a power failure) clears the REM signal output. (The ON/OFF states of the terminals are as set in Pr. 190 to Pr. 192.) The Pr. 496 and Pr. 497 settings are also "0".

When Pr. 495 = "1" or "11", the remote output data before power supply-off is stored into the E<sup>2</sup>PROM, so the signal output at power recovery is the same as before power supply-off. However, it is not stored when the inverter is reset (terminal reset, reset request through communication). (See the chart below).

When Pr. 495 = "10" or "11", signal before rest is saved even at inverter reset.



**Fig. 6-66:** ON/OFF example for source logic



**Fig. 6-67:** Signal condition during a reset

- ① When Pr. 495 = "1," the signal condition saved in EEPROM (condition of the last power OFF) is applied.

**NOTES**

The output terminal where the REM signal is not assigned using any of Pr. 190 to Pr. 192 does not turn on/off if 0/1 is set to the terminal bit of Pr. 496 or Pr. 497. (It turns on/off with the assigned function.)

When the inverter is reset (terminal reset, reset request through communication), Pr. 496 and Pr. 497 values turn to "0". When Pr. 495 = "1" or "11", however, they are the settings at power off. (The settings are stored at power off.) When Pr. 495 = "10" or "11", they are the same as before an inverter reset is made.

## 6.11 Monitor display and monitor output signals

Purpose	Parameters that must be set		Refer to Section
Display motor speed Set speed	Speed display and speed setting	Pr. 37	6.11.1
Change PU monitor display data	DU/PU main display data selection Cumulative monitor clear	Pr. 52, Pr. 54, Pr. 170, Pr. 171, Pr. 268, Pr. 563, Pr. 564	6.11.2
Change of the monitor output from terminal AM	Terminal AM function selection	Pr. 158	6.11.3
Set the reference of the monitor output from terminal AM	Terminal AM standard setting	Pr. 55, Pr. 56	6.11.3
Adjust terminal AM outputs	Terminal AM calibration	Pr. 645, Pr. 900	6.11.4

### 6.11.1 Speed display and speed setting (Pr. 37)

You can output RPM rates, speeds and throughput volumes based on the output frequency to the displays of the operation panels, FR-PU04 and FR-PU07 parameter units or to the AM output.

Pr. No.	Name	Initial Setting	Setting Range	Description	Parameters referred to	Refer to Section
37	Speed display	0	0	Frequency display, setting	1 Maximum frequency	6.4.1
			0.01–9998	Set the machine speed at 60Hz.		
					800 Control method selection	6.3.2

The above parameters can be set when Pr. 160 "User group read selection" = 0.

The maximum value of the setting range differs according to the Pr. 1 "Maximum frequency" (Parameter 18 "High speed maximum frequency") and it can be calculated from the following formula:

$$\text{Maximum setting value of Pr. 37} < \frac{16777.215 \times 60 \text{ [Hz]}}{\text{Setting value of Pr. 1 (Pr. 18) [Hz]}}$$

Note that the maximum setting value of Pr. 37 is 9998 if the result of the above formula exceeds 9998.

To display the machine speed set Pr. 37 to the reference value for the speed to be shown at 60Hz. For example, if the speed is 55m/min at 60Hz set Pr. 37 to "55". The display will then show "55" when the motor frequency is 60Hz.



Pr. 37	Output Frequency Monitor	Set Frequency Monitor	Frequency Setting Parameter Setting
0 (initial value)	Hz	Hz	Hz
0.01–9998	Machine speed ①	Machine speed ①	

**Tab. 6-34:** Setting range of parameter 37

- ① Machine speed conversion formula:  $\text{Pr. 37} \times \text{frequency}/60\text{Hz}$   
 ② Hz is displayed in 0.01Hz increments and machine speed is in 0.001.

#### NOTES

Under V/F control, the output frequency of the inverter is displayed in terms of synchronous speed, and therefore, displayed value = actual speed + motor slip. The display changes to the actual speed (estimated value calculated based on the motor slip) when advanced magnetic flux vector control was selected or slip compensation was made valid.

Refer to Pr. 52 when you want to change the PU main monitor (PU main display).

Since the panel display of the operation panel is 4 digits in length, the monitor value of more than "9999" is displayed "----".

When the machine speed is displayed on the FR-PU04/FR-PU07, do not change the speed by using an up/down key in the state where the set speed exceeding 65535 is displayed. The set speed may become arbitrary value.

While the machine speed is displayed on the monitor, values of other parameters related to speed (Pr. 1, etc.) are in frequency increments. Set other parameters (Pr. 1, etc) related to speed in increments of frequency.

Due to the limitations on the resolution of the set frequency, the indication in the second decimal place may differ from the setting.

When frequency or set frequency is monitored from network option card except for FR-A7NC Ekit-SC-E, frequency is displayed for monitor description regardless of Pr. 37 setting.



#### CAUTION:

***Make sure that the running speed setting is correct. Otherwise, the motor might run at extremely high speed, damaging the machine.***

## 6.11.2 Monitor display selection of DU/PU and terminal AM (Pr. 52, Pr. 158, Pr. 170, Pr. 171, Pr. 268, Pr. 563, Pr. 564)

The monitor to be displayed on the main screen of the control panel and parameter unit (FR-PU04/FR-PU07) can be selected.

In addition, signal to be output from the terminal AM (analog voltage output) can be selected.

Pr. No.	Name	Initial Value	Setting Range	Description
<b>52</b>	DU/PU main display data selection <sup>①</sup>	0 (output frequency)	0/5/7-12/ 14/20/23-25/ 52-57/61/62/ 100	Select the monitor to be displayed on the operation panel and parameter unit. Refer to Tab. 6-35 for monitor description.
<b>158</b>	AM terminal function selection <sup>①</sup>	1 (output frequency)	1-3/5/ 7-12/14/21/ 24/52/53/ 61/62	Select the monitor output to terminal AM.
<b>170</b>	Watt-hour meter clear	9999	0	Set "0" to clear the watt-hour meter monitor.
			10	Set the maximum value when monitoring from communication to 0 to 9999kWh.
			9999	Set the maximum value when monitoring from communication to 0 to 65535kWh.
<b>171</b>	Operation hour meter clear	9999	0/9999	Set "0" in the parameter to clear the watt-hour monitor. Setting "9999" has no effect.
<b>268</b>	Monitor decimal digits selection <sup>①</sup>	9999	0	Displays as integral value.
			1	Displayed in 0.1 increments.
			9999	No function
<b>563</b>	Energizing time carrying-over times	0	0-65535 (reading only)	The numbers of cumulative energizing time monitor exceeded 65535h is displayed. Reading only
<b>564</b>	Operating time carrying-over times	0	0-65535 (reading only)	The numbers of operation time monitor exceeded 65535h is displayed. Reading only

Parameters referred to	Refer to Section
30 Regenerative function selection	6.9.2
70 Special regenerative brake duty	6.9.2
37 Speed display	6.11.1
55 Frequency monitoring reference	6.11.3
56 Current monitoring reference	6.11.3

The above parameters can be set when Pr. 160 "User group read selection" = 0.

- <sup>①</sup> The above parameters allow its setting to be changed during operation in any operation mode even if "0" (initial value) is set in Pr. 77 "Parameter write selection".

**Monitor description list (Pr. 52)**

- Set the monitor to be displayed on the operation panel and parameter unit (FR-PU04/FR-PU07) in Pr. 52 "DU/PU main display data selection".
- Set the monitor to be output to the terminal AM (analog output (0 to 10V DC voltage output)) in Pr. 158 "AM terminal function selection".

Types of Monitor	Unit	Pr. 52		Pr. 158 (AM) Setting	Terminal AM Full Scale Value		Description
		Operation Panel LED	PU Main Monitor				
Output frequency	0.01Hz	0/100		1	Pr. 55		Displays the inverter output frequency.
Output current	0.01A/0.1A	0/100		2	Pr. 56		Displays the inverter output current effective value.
Output voltage	0.1V	0/100		3	200V class 400V class	400V 800V	Displays the inverter output voltage.
Alarm display	—	0/100		—	—		Displays 8 past alarms individually.
Frequency setting	0.01Hz	5	①	5	Pr. 55		Displays the set frequency.
Motor torque	0.1%	7	①	7	Rated torque of the applied motor × 2		Displays the motor torque in % on the assumption that the rated motor torque is 100%. (Displays 0% during V/F control)
Converter output voltage	0.1V	8	①	8	200V class 400V class	400V 800V	Displays the DC bus voltage value.
Regenerative brake duty	0.1%	9	①	9	Pr. 70		Brake duty set in Pr. 30, Pr. 70
Electronic thermal relay function load factor	0.1%	10	①	10	100%		Displays the motor thermal cumulative value on the assumption that the thermal operation level is 100%. <sup>②</sup>
Output current peak value	0.01A	11	①	11	Pr. 56		Holds and displays the peak value of the output power monitor. (Cleared at every start)
Converter output voltage peak value	0.1V	12	①	12	200V class 400V class	400V 800V	Holds and displays the peak value of the DC bus voltage value. (Cleared at every start)
Output power	0.01kW	14	①	14	Rated inverter power × 2		Displays the power on the inverter output side
Input terminal status	—	—	①	—	—		Displays the input terminal ON/OFF status on the PU. (Refer to page 6-143 for DU display.)
Output terminal status	—		①	—	—		Displays the output terminal ON/OFF status on the PU. (Refer to page 6-143 for DU display.)
Cumulative energization time <sup>②</sup>	1h	20		—	—		Adds up and displays the energization time after inverter shipment. You can check the numbers of the monitor value exceeded 65535h with Pr. 563.
Reference voltage output	—	—		21	—		Terminal AM: Output 10V

**Tab.6-35:** Monitor description list (1)

Types of Monitor	Unit	Pr. 52		Pr. 158 (AM) Setting	Terminal AM Full Scale Value	Description
		Operation Panel LED	PU Main Monitor			
Actual operation time <sup>②③</sup>	1h	23		—	—	Adds up and displays the inverter operation time. You can check the numbers of the monitor value exceeded 65535h with Pr. 564. Can be cleared by Pr. 171. (Refer to page 6-144.)
Motor load factor	0.1%	24		24	200%	Displays the output current value on the assumption that the inverter rated current value is 100%. Monitor value = output power monitor value/rated inverter current × 100 [%]
Cumulative power <sup>⑤</sup>	0.01kWh <sup>④</sup>	25		—	—	Adds up and displays the power amount based on the output power monitor. Can be cleared by Pr. 170. (Refer to page 6-144.)
PID set point	0.1%	52		52	100%	Display the set point, measured value and deviation during PID control. (Refer to page 6-277 for details.)
PID measured value	0.1%	53		53	100%	
PID deviation value	0.1%	54		—	—	
Inverter I/O terminal monitor	—	55	—	—	—	Displays the ON/OFF status of the inverter input terminal and output terminal on the operation panel (Refer to page 6-143 for details.)
Option input terminal status	—	56	—	—	—	Displays the input terminal ON/OFF status of the digital input option (FR-A7AX-Ekit-SC-E) on the operation panel. (Refer to page 6-143 for details.)
Option output terminal status	—	57	—	—	—	Displays the output terminal ON/OFF status of the digital output option (FR-A7AY-Ekit-SC-E) or relay output option (FR-A7AR-Ekit-SC-E) on the operation panel (Refer to page 6-143 for details.)
Motor thermal load factor	0.1%	61		61	Thermal relay operation level (100%)	Motor thermal heat cumulative value is displayed. (Motor overload trip (E.THM) at 100%)
Inverter thermal load factor	0.1%	62		62	Thermal relay operation level (100%)	Transistor thermal heat cumulative value is displayed. (Inverter overload trip (E.THT) at 100%)

**Tab. 6-35:** Monitor description list (2)

- ① Frequency setting to output terminal status on the PU main monitor are selected by "other monitor selection" of the parameter unit (FR-PU04/FR-PU07).
- ② The cumulative energization time and actual operation time are accumulated from 0 to 65535 hours, then cleared, and accumulated again from 0. When the operation panel is used, the time is displayed up to 65.53 (65530h) on the assumption that 1h = 0.001, and thereafter, it is added up from 0.
- ③ Actual operation time is not accumulated when the cumulative operation time is less than 1h until turning off of the power supply.
- ④ When using the parameter unit (FR-PU04/FR-PU07), "kW" is displayed.
- ⑤ Since the panel display of the operation panel is 4 digits in length, the monitor value of more than "9999" is displayed "----".
- ⑥ Larger thermal value between the motor thermal and transistor thermal is displayed. A value other than 0% is displayed if the ambient temperature (heatsink temperature) is high even when the inverter is at a stop.

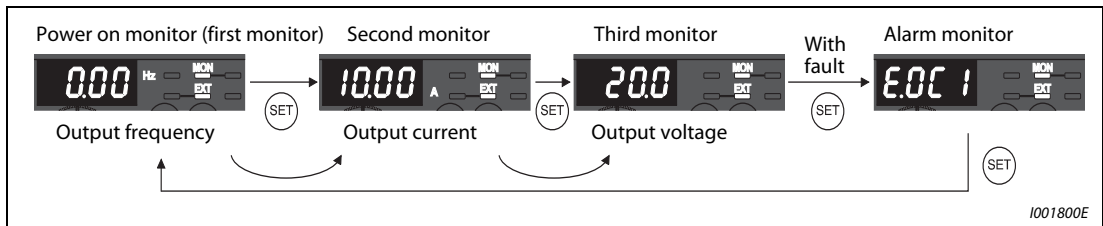
**NOTES**

By setting "0" in Pr. 52, the monitoring of output speed to alarm display can be selected in sequence by the SET key.

When the operation panel is used, the displayed units are Hz and A only and the others are not displayed.

The monitor set in Pr. 52 is displayed in the third monitor position. However, change the output current monitor for the motor load factor.

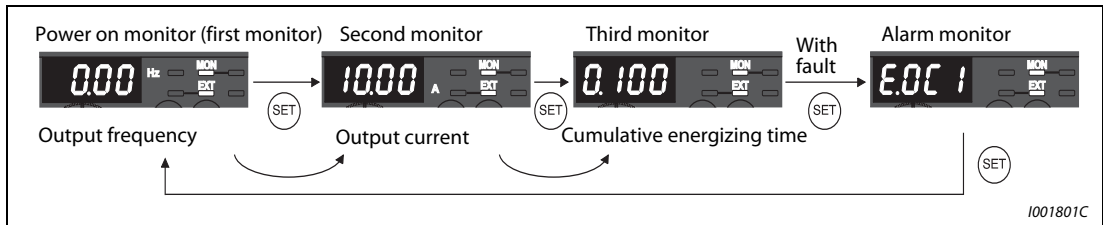
The monitor displayed at powering on is the first monitor. Display the monitor to be displayed on the first monitor and press the SET key for 1s. (To return to the output frequency monitor, hold down the SET key for 1s after displaying the output frequency monitor.)



**Fig. 6-68:** Displaying various types of monitor

**Example** ▽

When Pr. 52 is set to "20" (cumulative energizing time), the monitor is displayed on the operation panel as described below.



**Fig. 6-69:** Selection of the third monitor



**Display set frequency during stop (Pr. 52)**

When "100" is set in Pr. 52, the set frequency and output frequency are displayed during stop and operation respectively. (LED of Hz flickers during stop and is lit during operation.).

	Parameter 52		
	0	100	
	During Running/Stop	During Stop	During Running
Output frequency	Output frequency	Set frequency <sup>①</sup>	Output frequency
Output current	Output current		
Output voltage	Output voltage		
Alarm display	Alarm display		

**Tab. 6-36:** *Display during running and stop*

- ① The set frequency displayed indicates the frequency to be output when the start command is on. Different from the frequency setting displayed when Pr. 52 = "5", the value based on maximum/minimum frequency and frequency jump is displayed.

**NOTES**

- | During an error, the output frequency at error occurrence appears.
- | During MRS, the values displayed are the same as during a stop.
- | During offline auto tuning, the tuning status monitor has priority.

**Operation panel (FR-DU07) I/O terminal monitor**

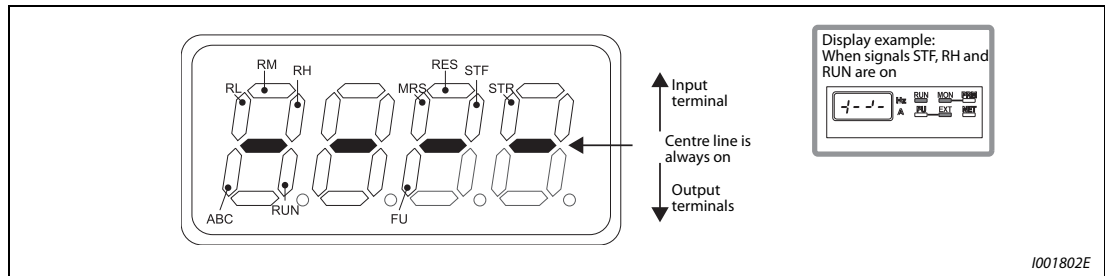
When Pr. 52 is set to any of "55 to 57", the I/O terminal states can be monitored on the operation panel. The I/O terminal monitor is displayed on the third monitor. The LED is on when the terminal is on, and the LED is off when the terminal is off. The centre line of LED is always on.

Pr. 52	Monitor Description
55	Displays the I/O and output terminal ON/OFF states of the inverter unit.
56 ①	Displays the input terminal ON/OFF states of the digital input option (FR-A7AX-Ekit-SC-E).
57 ①	Displays the output terminal ON/OFF states of the digital output option (FR-A7AY-Ekit-SC-E) or relay output option (FR-A7AR-Ekit-SC-E).

**Tab. 6-37:** I/O terminal monitor

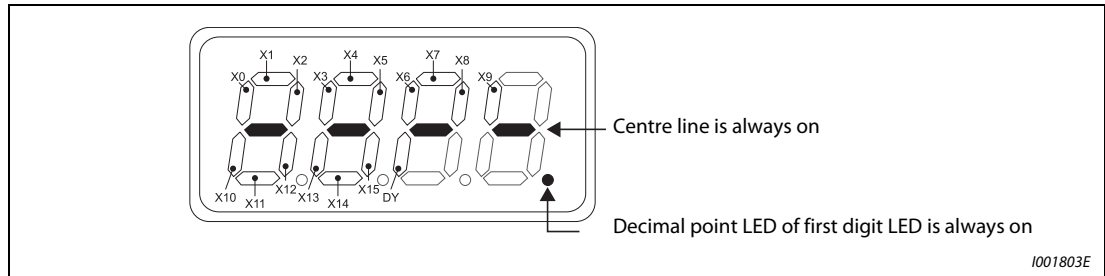
① You can set "56" or "57" even if the option is not fitted. When the option is not fitted, the monitor displays are all off.

On the unit I/O terminal monitor (Pr. 52 = "55"), the upper LEDs denote the input terminal states and the lower the output terminal states.



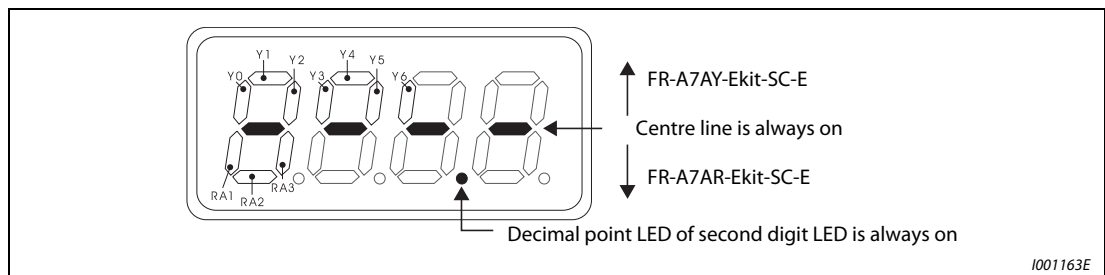
**Fig. 6-70:** Displaying the signal states of the I/O terminals

On the option FR-A7AX-Ekit-SC-E monitor (Pr. 52 = 56), the decimal point LED of the first digit LED is on.



**Fig. 6-71:** Displaying the signal states when the option FR-A7AX-Ekit-SC-E is mounted

On the option FR-A7AY-Ekit-SC-E or FR-A7AR-Ekit-SC-E monitor (Pr. 52 = "57"), the decimal point LED of the second digit LED is on.



**Fig. 6-72:** Displaying the signal states when the option FR-A7AY-Ekit-SC-E or FR-A7AR-Ekit-SC-E is mounted

**Cumulative energizing power monitor and clear (Pr. 170)**

On the cumulative power monitor (Pr. 52 = "25"), the output power monitor value is added up and is updated in 1h increments. The operation panel, parameter unit (FR-PU04/FR-PU07) and communication (RS-485 communication, communication option) display increments and display ranges are as indicated below:

Operation Panel ①		FR-PU04/FR-PU07 ②		Communication		
Range	Unit	Range	Unit	Range		Unit
				Pr. 170 = 10	Pr. 170 = 9999	
0-99.99kWh	0.01kWh	0-999.99kWh	0.01kWh	0-9999kWh	0-65535kWh (initial value)	1kWh
100-999.9kWh	0.1kWh	1000-9999.9kWh	0.1kWh			
1000-9999kWh	1kWh	10000-99999kWh	1kWh			

**Tab. 6-38:** Units and range of the cumulative energizing monitor

- ① Power is measured in the range 0 to 9999.99kWh, and displayed in 4 digits. When the monitor value exceeds "99.99", a carry occurs, e.g. "100.0", so the value is displayed in 0.1kWh increments.
- ② Power is measured in the range 0 to 99999.99kWh, and displayed in 5 digits. When the monitor value exceeds "999.99", a carry occurs, e.g. "1000.0", so the value is displayed in 0.1kWh increments.

Writing "0" to Pr. 170 clears the cumulative energizing power monitor.

**NOTE**

If "0" is written to Pr. 170 and Pr. 170 is read again, "9999" or "10" is displayed.

**Cumulative energizing time and actual operation time monitor (Pr. 171, Pr. 563, Pr. 564)**

Cumulative energization time monitor (Pr. 52 = "20") accumulates energization time from shipment of the inverter every one hour.

On the actual operation time monitor (Pr. 52 = "23"), the inverter running time is added up every hour. (Time is not added up during a stop.)

If the monitored value exceeds 65535, it is added up from 0. You can check the numbers of cumulative energization time monitor exceeded 65535h with Pr. 563 and the numbers of actual operation time monitor exceeded 65535h with Pr. 564.

Writing "0" to Pr. 171 clears the cumulative energization power monitor. (The cumulative time monitor can not be cleared.)

**NOTES**

The actual operation time is not added up unless the inverter is operated one or more hours continuously.

If "0" is written to Pr. 171 and Pr. 171 is read again, "9999" is always displayed. Setting "9999" does not clear the actual operation time meter.



**You can select the decimal digits of the monitor (Pr. 268)**

As the operation panel display is 4 digits long, the decimal places may vary at analog input, etc. The decimal places can be hidden by selecting the decimal digits. In such a case, the decimal digits can be selected by Pr. 268.

Pr. 268	Description
9999 (initial value)	No function
0	For the first or second decimal places (0.1 increments or 0.01 increments) of the monitor, numbers in the first decimal place and smaller are rounded to display an integral value (1 increments). The monitor value smaller than 0.99 is displayed as 0.
1	When 2 decimal places (0.01 increments) are monitored, the 0.01 decimal place is dropped and the monitor displays the first decimal place (0.1 increments). The monitored digits in 1 increments are displayed as they are.

**Tab. 6-39:** Selection of decimal digits

**NOTE**

The number of display digits on the cumulative energization time (Pr. 52 = "20"), actual operation time (Pr. 52 = "23") and cumulative power (Pr. 52 = "25") does not change.

### 6.11.3 Reference of the terminal AM (analog voltage output) (Pr. 55, Pr. 56)

Analog voltage output from the terminal AM is available. Set the reference of the signal output from terminal AM.

Pr. No.	Name	Initial Value	Setting Range	Description	Parameters referred to	Refer to Section
<b>55</b>	Frequency monitoring reference ①	50Hz	0–400Hz	Full-scale value to output the output frequency monitor value to terminal AM.	158 AM terminal function selection	6.11.2
<b>56</b>	Current monitoring reference ①	Rated inverter current	0–500A	Full-scale value to output the output current monitor value to terminal AM.		

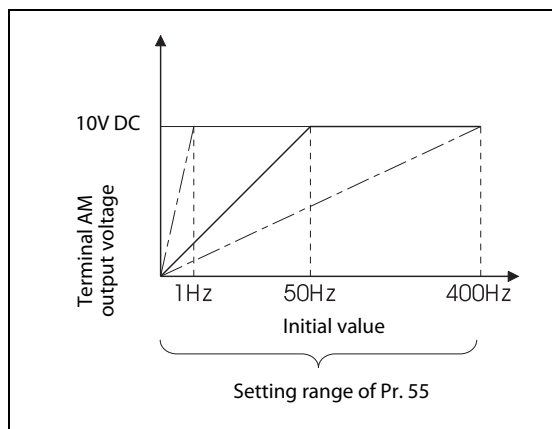
The above parameters can be set when Pr. 160 "User group read selection" = 0.

- ① The above parameter allow its setting to be changed during operation in any operation mode even if "0" (initial value) is set in Pr. 77 "Parameter write selection".

#### Frequency monitoring reference (Pr. 55)

Set the full scale value when outputting the frequency monitor from terminal AM. Set the frequency to be referenced when the frequency monitor (output frequency/set frequency) is selected for the terminal AM display.

- Set the frequency (output frequency/set frequency) when the voltage output at terminal AM is 10V DC. The analog voltage output and frequency at terminal AM are proportional. (The maximum output voltage is 10V DC.).



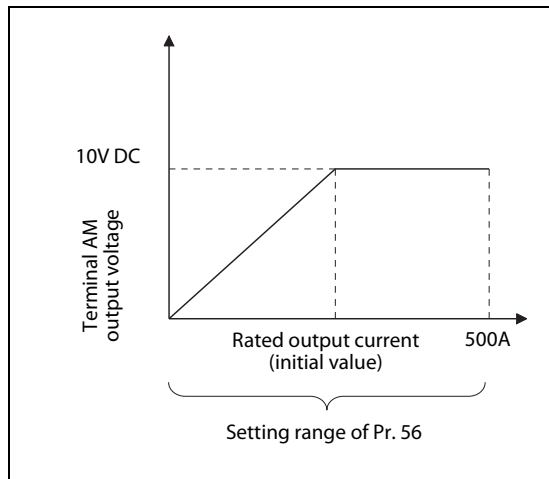
**Fig. 6-73:**  
Frequency monitoring reference

1001164E

**Current monitoring reference (Pr. 56)**

Set the full scale value when outputting the current monitor from terminal AM. Set the current to be referenced when the current monitor (inverter output current, etc.) is selected for terminal AM display.

- Set the current value when the voltage output at terminal AM is 10V DC. The analog voltage output and current value at terminal AM are proportional. (The maximum output voltage is 10V DC.)



**Fig. 6-74:**  
Current monitoring reference

1001165E

### 6.11.4 Terminal AM calibration [calibration parameter Pr. 645, C1 (Pr. 901)]

By using the operation panel or parameter unit, you can calibrate terminal AM to full scale deflection.

Pr. No.	Name	Initial Value	Setting Range	Description	Parameters referred to	Refer to Section
<b>645</b>	AM 0V adjustment	1000	970–1200	Calibrates the scale of the meter when analog output is 0.	55 Frequency monitoring reference	6.11.3
<b>C1 (901)</b>	AM terminal calibration	—	—	Calibrates the scale of the meter connected to terminal AM.	56 Current monitoring reference 158 AM terminal function selection	6.11.3

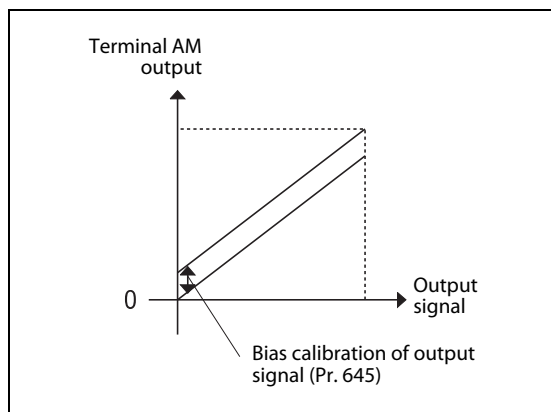
The above parameters can be set when Pr. 160 "User group read selection" = 0.

The parameter number in parentheses is the one for use with the operation panel (FR-PA02) for the FR-E500 series or parameter unit (FR-PU04/FR-PU07).

The above parameters allow their settings to be changed during operation in any operation mode even if "0" (initial value) is set in Pr. 77 "Parameter write selection".

#### Terminal AM bias calibration

Use Pr. 645 AM "0V adjustment" to calibrate the bias side output signal from terminal AM. If the meter needle does not point to 0 when the analog output from terminal AM is 0, add or decrease the Pr. 645 setting to adjust the meter needle points to 0. When changing  $\pm 1$  in Pr. 645, the analog output changes about  $\pm 5\text{mV}$ . (Analog output will not become lower than  $-100\text{mV}$  even when setting the Pr. 645 lower.)



**Fig. 6-75:**  
Terminal AM bias calibration

1001931E

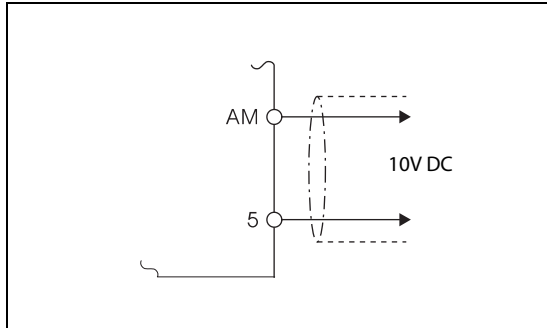
#### NOTES

Calibration bias and gain changes when changing the control circuit terminal block. Use Pr. 645 and C1 (Pr. 901) to calibrate again in that case.

If bias calibration (Pr. 645) is performed, make sure to perform gain calibration (C1 (Pr. 901)) too.

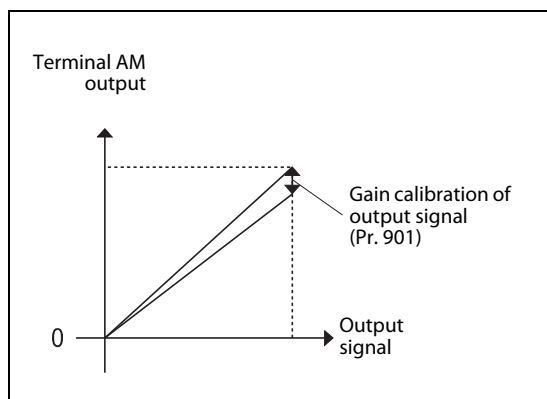
**Terminal AM gain calibration [C1 (Pr. 901)]**

Terminal AM is factory-set to provide a 10V DC output in the full-scale status of the corresponding monitor item. Calibration parameter C1 (Pr. 901) allows the output voltage ratios (gains) to be adjusted according to the meter scale. Note that the maximum output voltage is 10V DC, the maximum output current 1 mA.

**Fig. 6-76:**

Connecting an analog meter to the AM output

1001168C

**Fig. 6-77:**

Terminal AM gain calibration

1001932E

Calibrate the terminal AM gain in the following procedure:

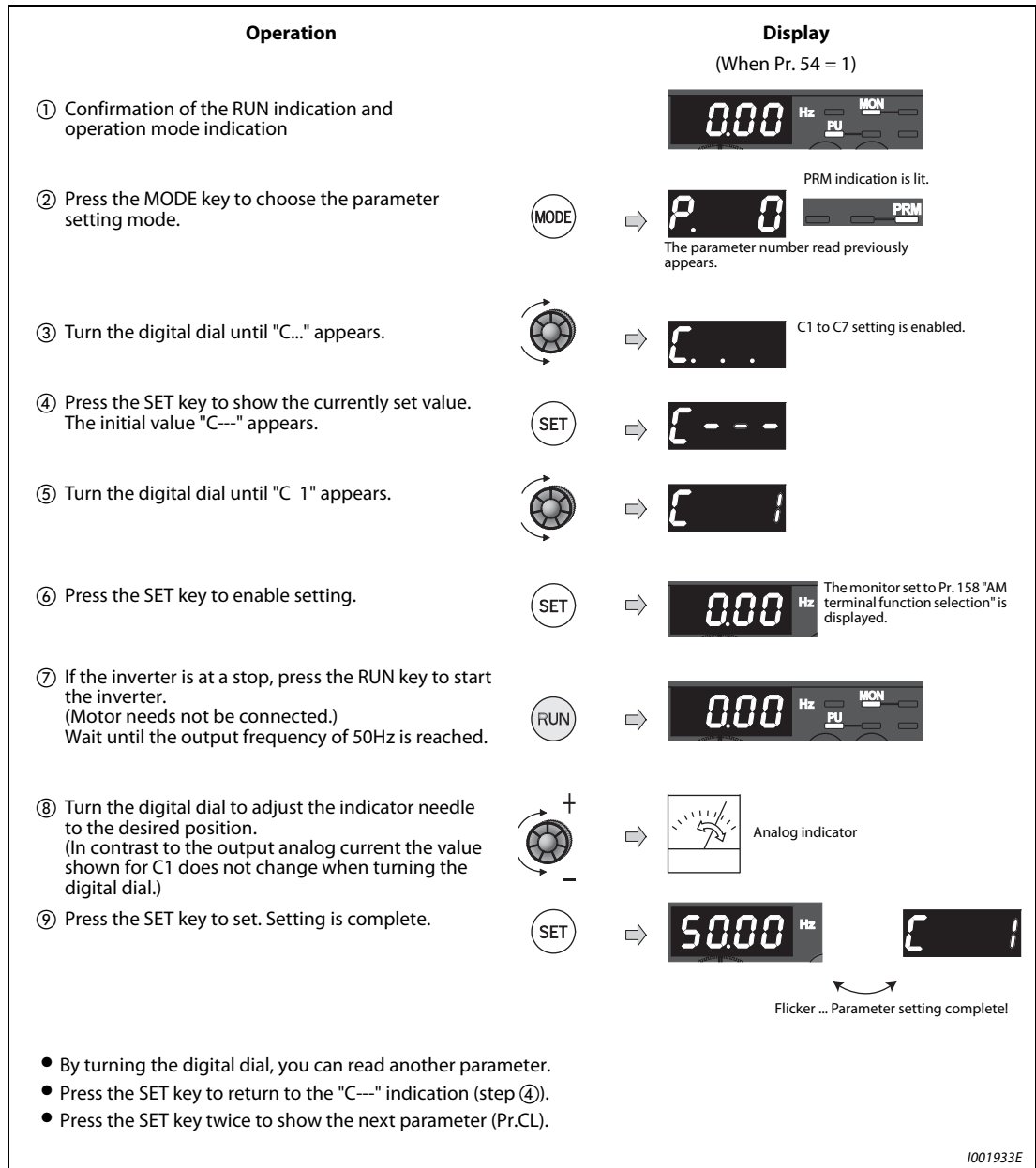
- ① Connect an 0–10V DC voltmeter to inverter terminals AM and 5, taking care to correct with the correct polarity. AM is positive.
- ② Set Pr. 158 to select the monitor signal you want to output to analog output AM (refer to page 6-146). To display the output frequency or the output current set Pr. 55 or Pr. 56, respectively, to the maximum frequency or current value for which you want to output 10V to the terminal.
- ③ Start the frequency inverter in PU mode with the operation panel or the control terminals (external operation).
- ④ Calibrate the full deflection of the meter by setting C1 (Pr. 901) and then operating the digital dial. Note that the value shown on the operating panel for the monitor signal associated with C1 does not change when you turn the digital dial, but the analog voltage output to AM will change as you turn the dial. Confirm the calibration value found by pressing the SET key (this assigns the maximum voltage output to the displayed value of the monitor signal.)

**NOTE**

If it is not possible output the signal to be measured for calibration at its maximum value you can set Pr. 158 to "21". This outputs a continuous signal of approx. 10V to terminal AM, which makes it possible to calibrate the maximum value on the meter. When C1 is used to calibrate the full meter deflection in this mode a value of "1000" is displayed. Afterwards you can then reset Pr. 158 to the required monitor signal setting.

**How to calibrate the terminal AM when using the operation panel**

The following example shows how to calibrate the maximum value of the AM terminal to the 60Hz output frequency. This operation is performed in PU mode.



**Fig. 6-78:** AM terminal calibration

**NOTES**

Calibration can also be made for external operation. Set the frequency in external operation mode, and make calibration in the above procedure.

Calibration can be made even during operation.

For the operation procedure using the parameter unit (FR-PU04/FR-PU07), refer to the parameter unit instruction manual.

## 6.12 Operation selection at power failure

Purpose	Parameters that must be set		Refer to Section
At instantaneous power failure occurrence, restart inverter without stopping motor.	Automatic restart operation after instantaneous power failure/flying start	Pr. 30, Pr. 57, Pr. 58, Pr. 96, Pr. 162, Pr. 165, Pr. 298, Pr. 299, Pr. 611	6.12.1
When under voltage or a power failure occurs, the inverter can be decelerated to a stop.	Power failure-time deceleration-to-stop function	Pr. 261	6.12.2

### 6.12.1 Automatic restart (Pr. 30, Pr. 57, Pr. 58, Pr. 96, Pr. 162, Pr. 165, Pr. 298, Pr. 299, Pr. 611)

You can restart the inverter without stopping the motor in the following cases:

- When power comes back on after an instantaneous power failure
- When motor is coasting at start.

Pr. No.	Name	Initial Value	Setting Range	Description
30	Regenerative function selection	0	0/1	The motor starts at the starting frequency when MRS (X10) turns on then off.
			2	Restart operation is performed when MRS (X10) turns on then off
57	Restart coasting time	9999	0	FR-E720S-080SC or less, FR-E740-040SC or less ..... 1s FR-E720S-110SC, FR-E740-060SC to 170SC..... 2s FR-E740-230SC and 300SC..... 3s
			0.1–5s	Set the waiting time for inverter-triggered restart after an instantaneous power failure.
			9999	No restart
58	Restart cushion time	1s	0–60s	Set a voltage starting time at restart.
96	Auto tuning setting/status	0	0	Offline auto tuning is not performed
			1	Advanced magnetic flux vector control Offline auto tuning is performed without motor running (all motor constants) (Refer to section 6.3.2.)
			11	For general-purpose magnetic flux vector control Offline auto tuning is performed without motor running (motor constants (R1) only) (Refer to section 6.3.3.)
			21	Offline auto tuning (tuning performed without motor running) for V/F control and automatic restart after instantaneous power failure (with frequency search)
162	Automatic restart after instantaneous power failure selection	0	0	With frequency search
			1	No frequency search: The output voltage is increased until the preset frequency is reached, irrespective of the current motor speed.
			10	Frequency search at every start
			11	On every start the output voltage is increased until the preset frequency reached, irrespective of the current motor speed.
165	Stall prevention operation level for restart	150%	0–200%	Consider the rated inverter current according to the overload capacity as 100% and set the stall prevention operation level during restart operation.
298	Frequency search gain	9999	0–32767	When offline auto tuning is performed under V/F control, frequency search gain necessary for frequency search for automatic restart after instantaneous power failure is set as well as the motor constants (R1).
			9999	Uses the Mitsubishi motor (SF-JR, SF-HR, SF-JRCA, SF-HRCA) constants
299	Rotation direction detection selection at restarting	9999	0	Without rotation direction detection
			1	With rotation direction detection
			9999	When Pr. 78 = "0", the rotation direction is detected. When Pr. 78 = "1","2", the rotation direction is not detected.
611	Acceleration time at a restart	9999	0–3600s	Acceleration time to reach the acceleration time reference frequency at a restart.
			9999	Acceleration time for restart is the normal acceleration time (e.g. Pr. 7)

Parameters referred to	Refer to Section
7 Acceleration time	6.7.1
21 Acceleration/ deceleration time increments	6.7.1
13 Starting frequency	6.7.2
65 Retry selection	6.13.1
67–69 Retry function	6.13.1
71 Applied motor	6.8.2
78 Reverse rotation prevention selection	6.17.3
178–184 Input terminal function selection	6.10.1

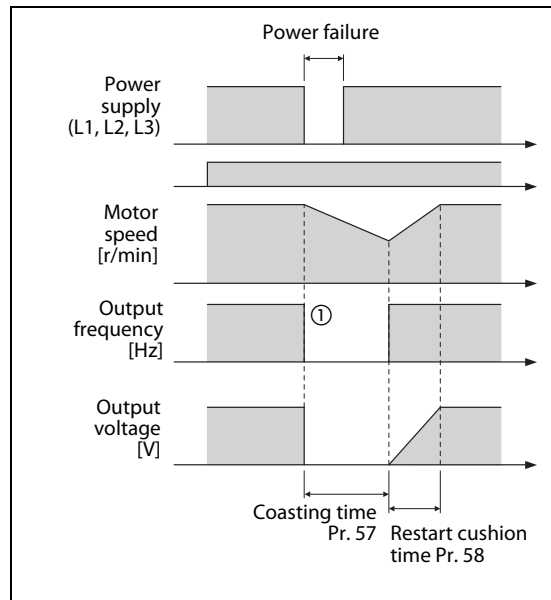
The above parameters can be set when Pr. 160 "User group read selection" = 0.



**Automatic restart after instantaneous power failure operation (Pr. 30, Pr. 162, Pr. 299)**

## ● Without frequency search

When Pr. 162 = "1" (initial value) or "11", automatic restart operation is performed in a reduced voltage system, where the voltage is gradually risen with the output frequency unchanged from prior to an instantaneous power failure independently of the coasting speed of the motor.

**Fig. 6-79:**

Automatic restart without frequency search  
(Pr. 162 = 1/11)

1001901E

① The output shut off timing differs according to the load condition.

**NOTE**

This system stores the output frequency and rotation direction prior to an instantaneous power failure and restart using the stored value. Therefore, if the instantaneous power failure time exceeds 0.2s and the stored value cannot be retained, the inverter starts at Pr. 13 "Starting frequency" (initial value = 0.5Hz) in the starting direction upon power restoration.

- With frequency search  
 When "0 (initial value) or 10" is set in Pr. 162, the inverter smoothly starts after detecting the motor speed upon power restoration. (The motor capacity should be equal to or one rank lower than the inverter capacity.)  
 When using the frequency search, perform offline autotuning. (Refer to page 6-88 for advanced magnetic flux vector, general-purpose magnetic flux vector control and page 6-158 for V/F control.)  
 During reverse rotation, the inverter can be restarted smoothly as the direction of rotation is detected. You can select whether to make rotation direction detection or not with Pr. 299 "Rotation direction detection selection at restarting". When capacities of the motor and inverter differ, set "0" (without rotation direction detection) in Pr. 299.

Pr. 299 Setting	Pr. 78 Setting		
	0	1	2
9999 (Initial value)	With rotation direction detection	Without rotation direction detection	Without rotation direction detection
0	Without rotation direction detection	Without rotation direction detection	Without rotation direction detection
1	With rotation direction detection	With rotation direction detection	With rotation direction detection

Tab. 6-40: Rotation direction direction

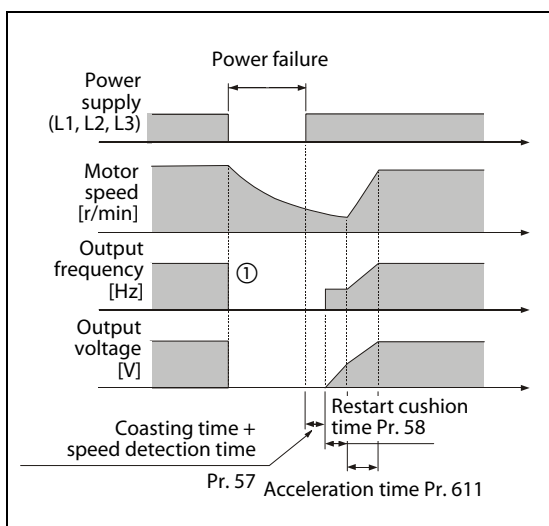


Fig. 6-80: Automatic restart with frequency search (Pr. 162 = 0/10)

① The output shut off timing differs according to the load condition.

I000722C

**NOTES**

Speed detection time (frequency search) changes according to the motor speed (maximum 100ms).

Frequency search errors can occur if the output capacity of the frequency inverter is one or more classes higher than that of the motor or if the motor is a special model (e.g. with a frequency rating above 60Hz). If this happens it is possible for overcurrent error messages (OCT) to be generated during motor acceleration. In such configurations flying restarts are not possible and the frequency search function should not be used.

At motor frequencies of 10Hz or less the inverter accelerates from 0Hz to the set frequency.

If more than one motor is connected to the inverter in parallel the frequency search on automatic restart does not work correctly and overcurrent error messages (OCT) are likely. In such configurations deactivate frequency search (set Pr. 162 to "1" or "11").

When reverse rotation is detected when Pr. 78 = "1" (reverse rotation disabled), the rotation direction is changed to forward rotation after decelerates in reverse rotation when the start command is forward rotation. The inverter will not start when the start command is reverse rotation.

When automatic restart operation after instantaneous power failure is activated while the motor is running at a low speed (less than 10Hz), the motor restarts in the direction prior to instantaneous power failure without detecting the rotation direction (Pr. 299 "Rotation direction detection selection at restarting" = "1").

If the frequency search result exceeds the set frequency, the output frequency is limited at the set frequency.

When the wiring length exceeds 100m, select without frequency search (Pr. 162 = "1" or "11").

- Restart operation at every start  
When Pr. 162 = "10" or "11", automatic restart operation is also performed every start, in addition to the automatic restart after instantaneous power failure. When Pr. 162 = "0", automatic restart operation is performed at the first start after power supply-on, but not performed at the second time or later.
- Automatic restart operation selection of MRS (X10) signal  
Restart operation after turning MRS (X10) signal on then off using Pr. 30 can be selected as in the table below. When automatic restart after instantaneous power failure is selected when using the high power factor converter (FR-HC), normally set "2" in Pr. 30.

Pr. 30	Operation after Turning OFF, ON, then OFF the MRS and X10 Signals
0/1	Start at the Pr. 13 "Starting frequency".
2	Restart (starts at the coasting speed)

**NOTE**

When output is shut off using terminal S1 and S2 in the safety stop function model, the inverter restarts in the same way as when output is shut off by MRS (X10) signal.

**Restart coasting time (Pr. 57)**

Coasting time is the time from when the motor speed is detected until automatic restart control is started.

Set Pr. 57 to "0" to perform automatic restart operation.

The coasting time is automatically set to the value below. Generally this setting will pose no problems.

FR-E720S-080SC or less, FR-E740-040SC or less ..... 1s

FR-E720S-100SC, FR-E740-060SC to 170SC ..... 2s

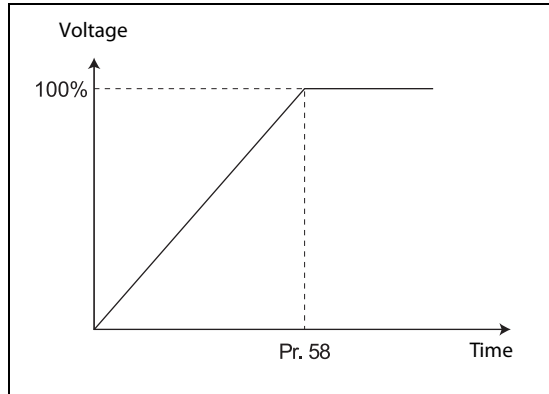
FR-E740-230SC and 300SC ..... 3s

Operation may not be performed well depending on the magnitude of the moment of inertia (J) of the load or running frequency. Adjust the coasting time between 0.1s and 5s according to the load specifications.

**Restart cushion time (Pr. 58)**

Cushion time is the length of time when the voltage appropriate to the voltage at the detected motor speed (output frequency prior to instantaneous power failure when Pr. 162 = "1" or "11") from 0V.

Normally the initial value need not be changed for operation, but adjust it according to the magnitude of the moment of inertia (J) of the load or torque.



**Fig. 6-81:**  
Voltage rise at automatic restart

I001170E

**Automatic restart operation adjustment (Pr. 165, Pr. 611)**

Using Pr. 165, you can set the stall prevention operation level at a restart.

Using Pr. 611, you can set the acceleration time until the set frequency (Pr. 20) is reached after automatic restart operation is performed besides the normal acceleration time.

**NOTE**

If the setting of Pr. 21 "Acceleration/deceleration time increments" is changed, the setting increments of Pr. 611 does not change.

**Frequency search gain (Pr. 298), offline auto tuning (Pr. 96)**

When automatic restart after instantaneous power failure operation (with frequency search) is valid at V/F control, perform offline auto tuning. Perform offline auto tuning during V/F control in the following order to set Pr. 298 "Frequency search gain" automatically. (Refer to page 6-88 during advanced magnetic flux vector control and general-purpose magnetic flux vector control.)

**Before performing offline auto tuning**

Check the following before performing offline auto tuning:

- The inverter is under V/F control.
- A motor should be connected. Note that the motor should be at a stop at a tuning start.
- The motor capacity should be equal to or one rank lower than the inverter capacity.
- A high-slip motor, high-speed motor and special motor cannot be tuned.  
(The maximum frequency is 120Hz.)
- Even if tuning is performed without motor running (Pr. 96 "Auto tuning setting/status" = "21"), the motor may run slightly. Therefore, fix the motor securely with a mechanical brake, or before tuning, make sure that there will be no problem in safety if the motor runs (caution is required especially in vertical lift applications). Note that tuning performance is unaffected even if the motor runs slightly.
- Offline auto tuning will not be performed properly if it is performed with a surge voltage suppression filter (FFR-DT) connected between the inverter and motor. Remove it before starting tuning.

**Setting**

- Set "21" in Pr. 96 "Auto tuning setting/status". Tuning is performed without motor running. According to the motor type and the inverter capacity, it takes approximately 9s until tuning is completed. (Excitation noise is produced during tuning.)
- Set the rated motor current (initial value is rated inverter current) in Pr. 9 "Electronic thermal O/L relay". (Refer to section 6.8).
- Set Pr. 71 "Applied motor" according to the motor used.

Motor		Pr. 71 ①
Mitsubishi standard motor, Mitsubishi high efficiency motor	SF-JR	3
	SF-JR 4P-1.5kW or less	23
	SF-HR	43
	Others	3
Mitsubishi constant-torque motor	SF-JRCA 4P	13
	SF-HRCA	53
	Others (SF-JRC, etc.)	13
Other manufacturer's standard motor	—	3
Other manufacturer's constant torque motor	—	13

**Tab. 6-41:** Motor selection

- ① Refer to section 6.8.2, for other settings of Pr. 71.

**Execution of tuning****CAUTION:**

***Before performing tuning, check the monitor display of the operation panel or parameter unit (FR-PU04/FR-PU07) if the inverter is in the status for tuning. (Refer to Tab. 6-13).***

When performing tuning or PU operation, press the RUN key of the operation panel.

For external operation, turn on the run command (STF signal or STR signal). Tuning starts.

**NOTES**

To force tuning to end, use the MRS or RES signal or press the STOP key of the operation panel. (Turning the start signal (STF signal or STR signal) off also ends tuning.)

During offline auto tuning, only the following I/O signals are valid: (initial value)

- Input terminal <valid signal> MRS, RES, STF, STR
- Output terminal RUN, AM, A, B, C

Note that the progress status of offline auto tuning is output from AM when speed and output frequency are selected.

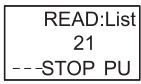

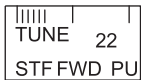





Since the RUN signal turns on when tuning is started, caution is required especially when a sequence which releases a mechanical brake by the RUN signal has been designed.

When executing offline auto tuning, input the run command after switching on the main circuit power (R/L1, S/L2, T/L3) of the inverter.

Do not perform ON/OFF switching of the second function selection signal (RT) during execution of offline auto tuning. Auto tuning is not executed properly.

### Monitor display during auto tuning

Monitor is displayed on the operation panel and parameter unit (FR-PU04/FR-PU07) during tuning as below. The value displayed corresponds to the value of parameter 96.

	Parameter Unit (FR-PU04/FR-PU07) Display	Operation Panel Indication
Parameter 96	21	21
Setting		
Tuning in progress		
Normal end		
Error end (when inverter protective function operation is activated)		

**Tab. 6-42:** Monitor display

Offline Auto Tuning Setting	Time
Tune motor constants (R1) only (Pr. 96 = 21)	Approx. 9s (Tuning time differs according to the inverter capacity and motor type.)

**Tab. 6-43:** Offline auto tuning time (when the initial value is set)

### Return to the normal operation mode

When offline auto tuning ends, press the STOP/RESET key of the operation panel during PU operation. For external operation, turn off the start signal (STF signal or STR signal) once.

This operation resets the offline auto tuning and the PU's monitor display returns to the normal indication. (Without this operation, next operation cannot be started.)

**NOTE**

Do not change the Pr. 96 setting after completion of tuning (23). If the Pr. 96 setting is changed, tuning data is made invalid. If the Pr. 96 setting is changed, tuning must be performed again.



If offline auto tuning ended in error (see the table below), motor constants are not set. Perform an inverter reset and restart tuning.

Error Display	Error cause	Remedy
8	Force end	Set "21" in Pr. 96 and perform tuning again.
9	Inverter protective function operation	Make setting again.
91	Current limit (stall prevention) function was activated.	Set "1" in Pr. 156.
92	Converter output voltage reached 75% of rated value.	Check for fluctuation of power supply voltage.
93	– Calculation error – A motor is not connected.	Check the motor wiring and make setting again. Set the rated current of the motor in Pr. 9.

**Tab. 6-44:** Value of Parameter 96

When tuning is ended forcibly by pressing the STOP-key or turning off the start signal (STF or STR) during tuning, offline auto tuning does not end normally. (The motor constants have not been set.) Perform an inverter reset and restart tuning.

When using the motor corresponding to the following specifications and conditions, reset Pr. 9 Electronic thermal O/L relay as below after tuning is completed.

- When the rated power specifications of the motor is 200/220V(400/440V) 60Hz, set 1.1 times rated motor current value in Pr. 9.
- When performing motor protection from overheat using a PTC thermistor or motor with temperature detector such as Klixon, set "0" (motor overheat protection by the inverter is invalid) in Pr. 9.

## NOTES

The motor constants measured once in the offline auto tuning are stored as parameters and their data are held until the offline auto tuning is performed again.

An instantaneous power failure occurring during tuning will result in a tuning error. After power is restored, the inverter goes into the normal operation mode. Therefore, when STF (STR) signal is on, the motor runs in the forward (reverse) rotation.

Any alarm occurring during tuning is handled as in the ordinary mode. Note that if an error retry has been set, retry is ignored.

The set frequency monitor displayed during the offline auto tuning is 0Hz.

Changing the terminal assignment using Pr. 178 to Pr. 184 "Input terminal function selection" may affect the other functions. Make setting after confirming the function of each terminal.

The SU and FU signals are not output during a restart. They are output after the restart cushion time has elapsed.

Automatic restart operation will also be performed after a reset or when a retry is made by the retry function.

**CAUTION:**

***Before activating the automatic restart after power failure function please make sure that this mode is supported for the drive and permitted for your configuration.***

***When automatic restart after instantaneous power failure has been selected, the motor and machine will start suddenly (after the reset time has elapsed) after occurrence of an instantaneous power failure. Stay away from the motor and machine. When you have selected automatic restart after instantaneous power failure function, apply CAUTION stickers in easily visible places.***

***When the start signal is turned off or is pressed during the restart cushion time after instantaneous power failure, deceleration starts after Pr. 58 "Restart cushion time" has elapsed.***

### 6.12.2 Power failure-time deceleration-to-stop function (Pr. 261)

When a power failure or under voltage occurs, the inverter can be decelerated to a stop or can be decelerated and re-accelerated to the set frequency.

Pr. No.	Name	Initial Value	Setting Range	Description	Parameters referred to	Refer to Section
261	Power failure stop selection	0	0	Coasting to stop when under voltage or power failure occurs, the inverter output is shut off.	57 Restart coasting time 190-192 Output terminal function selection	6.12.1 6.10.5
			1	When under voltage or a power failure occurs, the inverter can be decelerated to a stop.		
			2	When under voltage or a power failure occurs, the inverter can be decelerated to a stop. If power is restored during a power failure, the inverter accelerates again.		

The above parameter can be set when Pr. 160 "User group read selection" = 0.

#### Parameter setting

When Pr. 261 is set to "1" or "2", the inverter decelerates to a stop if an undervoltage or power failure occurs.

#### Operation outline of deceleration to stop at power failure

When undervoltage or power failure has occurred, the output frequency is decreased and controlled so that the converter circuit (DC bus) voltage is constant and decreased to 0Hz to stop.

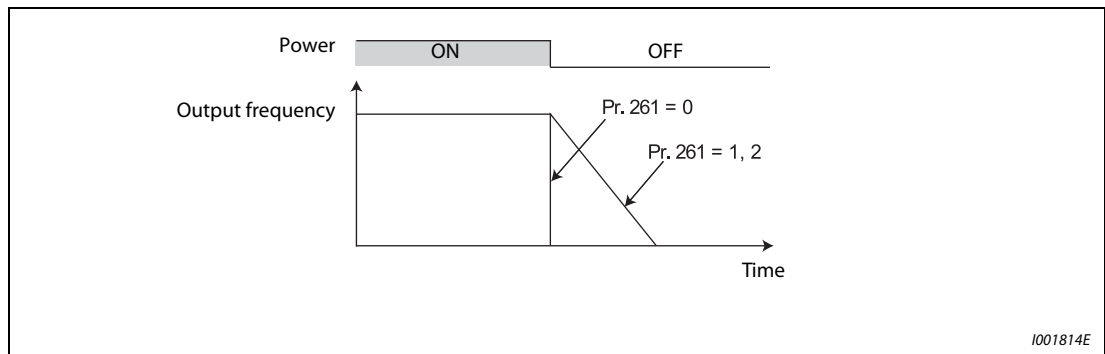
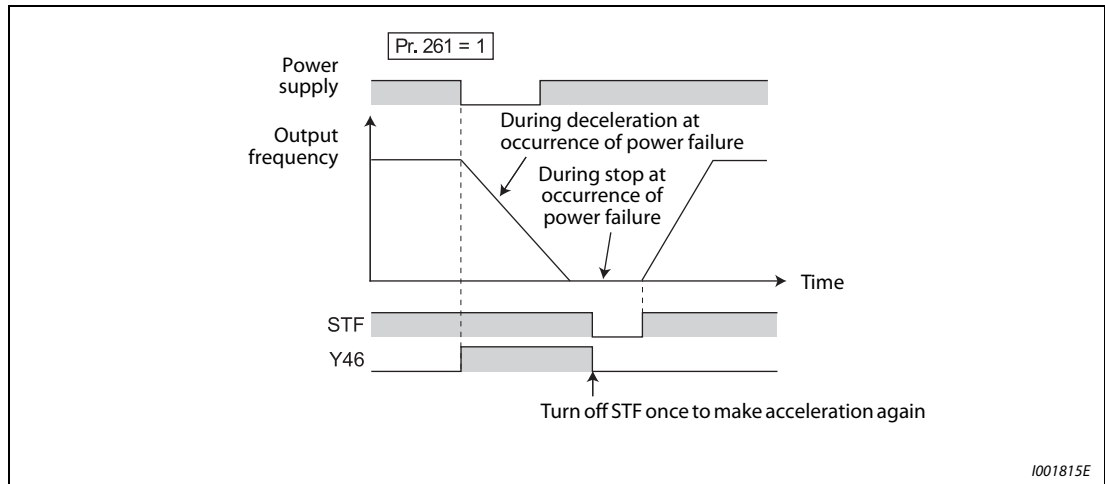


Fig. 6-82: Parameters for stop selection at power failure

**Power failure stop mode (Pr. 261 = 1)**

If power is restored during power failure deceleration, deceleration to a stop is continued and the inverter remains stopped. To restart, turn off the start signal once, then turn it on again.

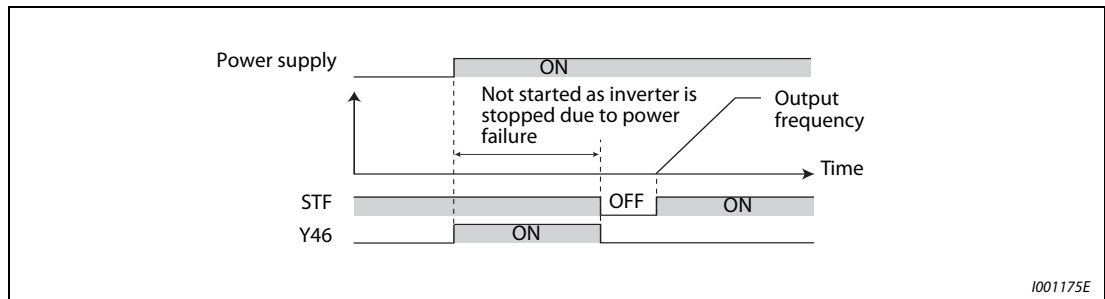


**Fig. 6-83:** Power restoration

**NOTES**

When automatic restart after instantaneous power failure is selected (Pr. 57 ≠ 9999), power failure stop function is made invalid and automatic restart operation after instantaneous power failure is made valid.

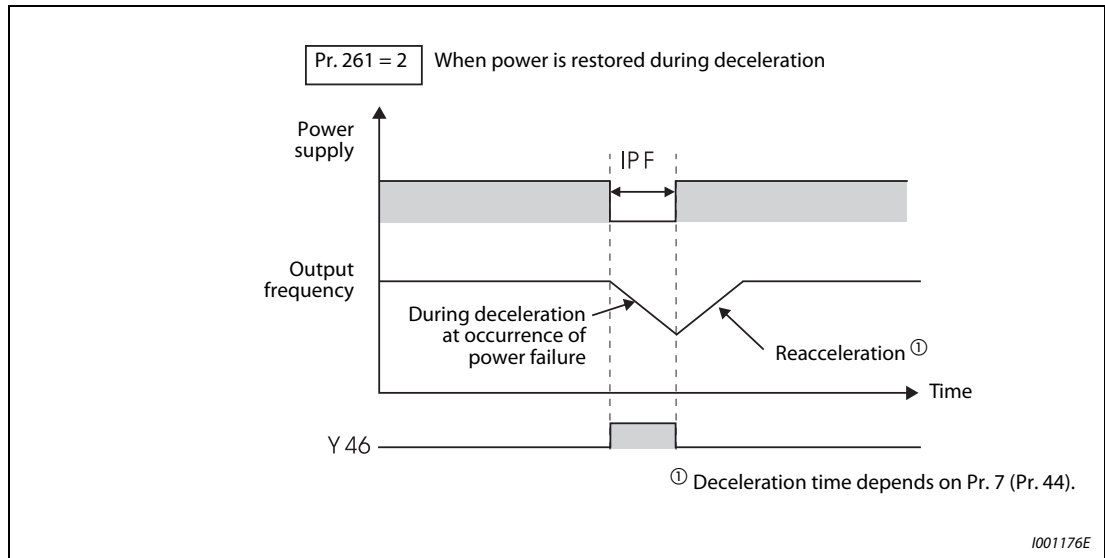
When the power failure deceleration stop function is active (Pr. 261 = "1"), the inverter will not start even if the power is turned ON with the start signal (STF/STR) ON. After switching on the power, turn off the start signal once and then on again to make a start.



**Fig. 6-84:** Restart at power restoration

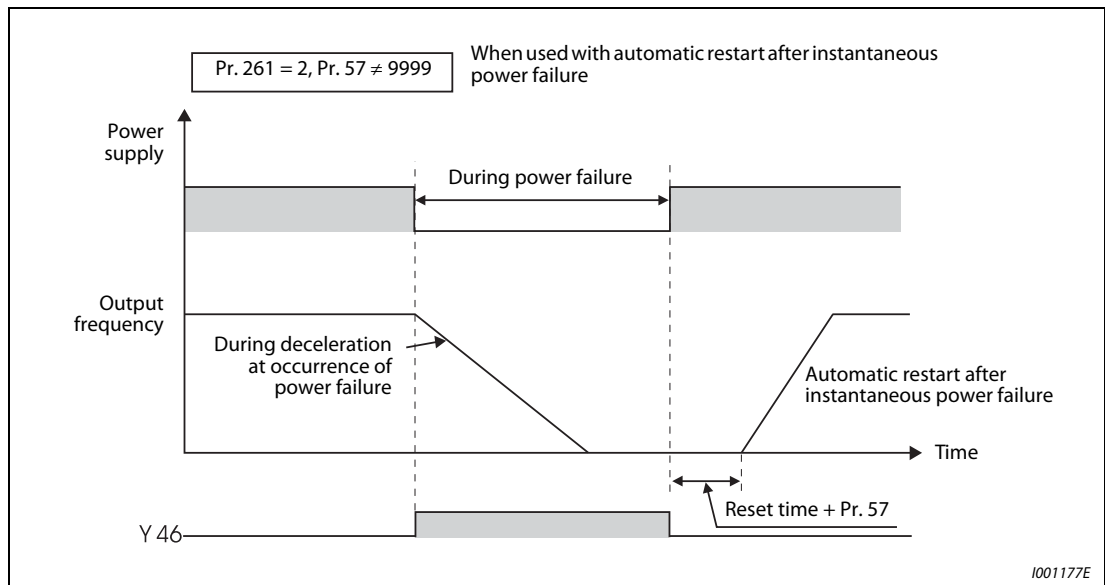
**Operation continuation at instantaneous power failure function (Pr. 261 = 2)**

When power is restored during deceleration after a power failure, acceleration is made again up to the set frequency.



**Fig. 6-85:** Operation continuation at instantaneous power failure

When this function is used in combination with the automatic restart after instantaneous power failure function (Pr. 57 ≠ "9999"), deceleration can be made at a power failure and acceleration can be made again after power restoration.



**Fig. 6-86:** Operation continuation at instantaneous power failure

**NOTE**

When operation continuation at instantaneous power failure function is used, keep the starting signal (STF/STR) on even during instantaneous power failure. If the starting signal turns off during instantaneous power failure, the inverter decelerates according to the deceleration time setting, causing the motor to coast if enough regenerative energy is not obtained.

**Power failure deceleration signal (Y46 signal)**

The Y46 signal is on during deceleration at an instantaneous power failure or during a stop after deceleration at an instantaneous power failure.

After a power failure stop, the inverter can not start even if power is restored the start command is given. In this case, check the power failure deceleration signal (Y46 signal) (at occurrence of input phase loss (E.ILF), etc.).

For the Y46 signal, set "46" (forward operation) or "146" (reverse operation) to any of Pr. 190 to Pr. 192 "Output terminal function selection" to assign the function.

**NOTES**

During a stop or trip, the power failure stop selection is not performed.

Changing the terminal assignment using Pr. 190 to Pr. 192 "Output terminal function selection" may affect the other functions. Please make setting after confirming the function of each terminal.

**CAUTION:**

*If power-failure deceleration operation is set, some loads may cause the inverter to trip and the motor to coast. The motor will coast if enough regenerative energy is given from the motor.*

## 6.13 Operation setting at alarm occurrence

Purpose	Parameters that must be set		Refer to Section
Recover by retry operation at alarm occurrence	Retry operation	Pr. 65, Pr. 67–Pr. 69	6.13.1
Do not output input/output phase failure alarm	Input/output phase failure protection selection	Pr. 251, Pr. 872	6.13.2
Detect an earth (ground) fault at start	Earth (ground) fault detection at start	Pr. 249	6.13.3

### 6.13.1 Retry function (Pr. 65, Pr. 67 to Pr. 69)

If a fault occurs, the inverter resets itself automatically to restart. You can also select the fault for a retry.

When you have selected automatic restart after instantaneous power failure (Pr. 57 "Restart coasting time" ≠ "9999"), restart operation is performed at the retry operation time which is the same of that of a power failure. (Refer to section 6.12.1 for the restart function.)

Pr. No.	Name	Initial Value	Setting Range	Description	Parameters referred to	Refer to Section
<b>65</b>	Retry selection	0	0–5	An alarm for retry can be selected.		
<b>67</b>	Number of retries at alarm occurrence	0	0	No retry function	57 Restart coasting time	6.12.1
			1–10	Set the number of retries at alarm occurrence. An alarm output is not provided during retry operation.		
			101–110	Set the number of retries at alarm occurrence. (The setting value of minus 100 is the number of retries.) An alarm output is provided during retry operation.		
<b>68</b>	Retry waiting time	1s	0.1–360s	Set the waiting time from when an inverter alarm occurs until a retry is made.		
<b>69</b>	Retry count display erase	0	0	Clear the number of restarts succeeded by retry.		

The above parameters can be set when Pr. 160 "User group read selection" = 0.

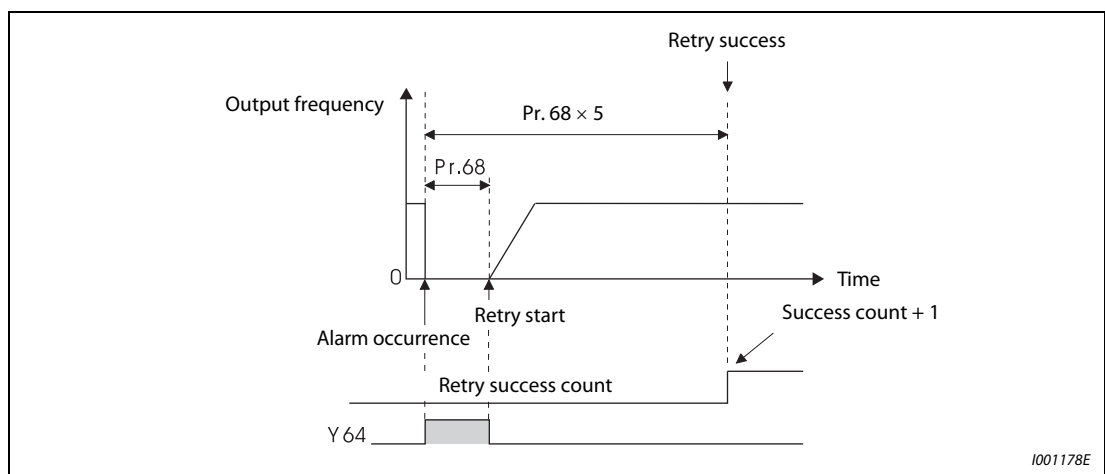
Retry operation automatically resets a fault and restarts the inverter at the starting frequency when the time set in Pr. 68 elapses after the inverter is tripped.

Retry operation is performed by setting Pr. 67 to any value other than "0". Set the number of retries at fault occurrence in Pr. 67. When retries fail consecutively more than the number of times set in Pr. 67, a retry count excess fault (E.RET) occurs, resulting in inverter trip. (Refer to retry failure example in Fig. 6-88.)

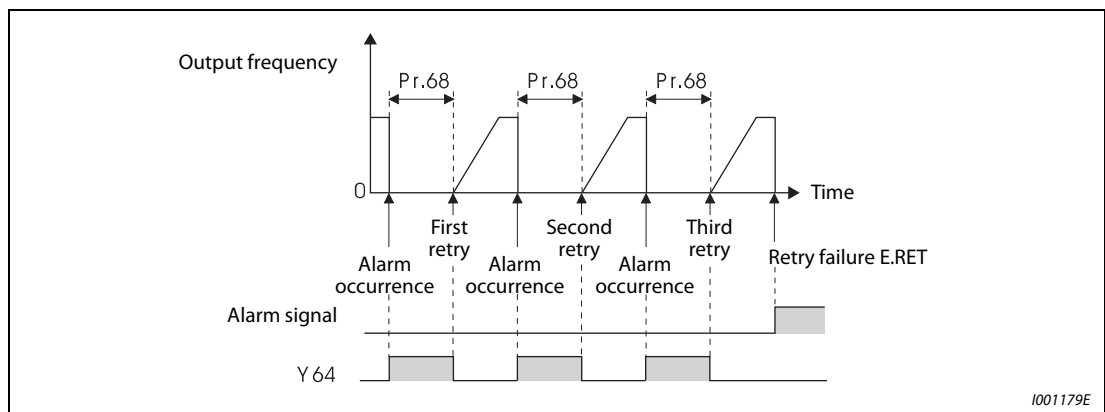
Use Pr. 68 to set the waiting time from when the inverter trips until a retry is made in the range 0.1 to 360s. (When the setting value is "0s", the actual time is 0.1s.)

Reading the Pr. 69 value provides the cumulative number of successful restart times made by retry. The cumulative count in Pr. 69 is increased by 1 when a retry is regarded as successful after normal operation continues without faults occurring for more than four times longer than the time set in Pr. 68 after a retry start. (When retry is successful, cumulative number of retry failure is cleared.) Writing "0" to Pr. 69 clears the cumulative count.

During a retry, the Y64 signal is on. For the Y64 signal, assign the function by setting "64" (positive operation) or "164" (negative operation) to any of Pr. 190 to Pr. 192 "Output terminal function selection".



**Fig. 6-87:** Retry success example



**Fig. 6-88:** Retry failure example



Using Pr. 65 you can select the alarm that will cause a retry to be executed. No retry will be made for the alarm not indicated.

Alarm Display for Retry	Name	Parameter 65 Setting					
		0	1	2	3	4	5
E.OC1	Overcurrent shut-off during acceleration	✓	✓	—	✓	✓	✓
E.OC2	Overcurrent shut-off during constant speed	✓	✓	—	✓	✓	
E.OC3	Overcurrent shut-off during deceleration or stop	✓	✓	—	✓	✓	✓
E.OV1	Regenerative overvoltage shut-off during acceleration	✓	—	✓	✓	✓	—
E.OV2	Regenerative overvoltage shut-off during constant speed	✓	—	✓	✓	✓	—
E.OV3	Regenerative overvoltage shut-off during deceleration or stop	✓	—	✓	✓	✓	—
E.THM	Motor overload shut-off (electronic thermal relay function)	✓	—	—	—	—	—
E.THT	Inverter overload shut-off (electronic thermal relay function)	✓	—	—	—	—	—
E.BE	Brake transistor alarm detection/Internal circuit error	✓	—	—	—	✓	—
E.GF	Output side earth (ground) fault overcurrent protection	✓	—	—	—	✓	—
E.USB	USB communication fault	✓	—	—	—	✓	—
E.OHT	External thermal relay operation	✓	—	—	—	—	—
E.OLT	Stall Prevention	✓	—	—	—	✓	—
E.OPT	Option fault	✓	—	—	—	✓	—
E.OP1	Communication option fault	✓	—	—	—	✓	—
E.PE	Parameter storage device alarm	✓	—	—	—	✓	—
E.MB4	Brake sequence fault	✓	—	—	—	✓	—
E.MB5		✓	—	—	—	✓	—
E.MB6		✓	—	—	—	✓	—
E.MB7		✓	—	—	—	✓	—
E.ILF	Input phase failure	✓	—	—	—	✓	—

**Tab. 6-45:** Faults selected for retry

#### NOTES

When terminal assignment is changed using Pr. 190 to Pr. 192, the other functions may be affected. Make setting after confirming the function of each terminal.

For a retry error, only the description of the first alarm is stored.

When an inverter alarm is reset by the retry function at the retry time, the accumulated data of the electronic thermal relay function, regeneration converter duty etc. are not cleared. (Different from the power-on reset.)

Retry is not performed if E.PE (Parameter storage device fault) occurred at power on.

If a fault that is not selected for a retry occurs during retry operation (retry waiting time), the retry operation stops while the fault indication is still displayed.



#### CAUTION:

**When you have selected the retry function, stay away from the motor and machine unless required. They will start suddenly (after the reset time has elapsed) after occurrence of an alarm. When you have selected the retry function, apply CAUTION seals in easily visible places.**

### 6.13.2 Input/output phase failure protection selection (Pr. 251, Pr. 872)

You can disable the output phase failure function that stops the inverter output if one of the inverter output side (load side) three phases (U, V, W) opens.

Input phase loss protection is a function to stop the inverter output if one of the three phases (R/L1, S/L2, T/L3) on the inverter's input side is lost.

Pr. No.	Name	Initial Value	Setting Range	Description	Parameters referred to	Refer to Section
251	Output phase failure protection selection	1	0	Without output phase failure protection	—	
			1	With output phase failure protection		
872	Input phase failure protection selection <sup>①</sup>	1	0	Without input phase failure protection		
			1	With input phase failure protection		

The above parameters can be set when Pr. 160 "User group read selection" = 0.

① Available only for the three-phase power input specification model.

#### Output phase failure protection selection (Pr. 251)

If phase loss occurs during inverter running (except for during DC brake operation, or output frequency is 1Hz or less), output phase loss protection (E.LF) activates, and inverter trips.

When Pr. 251 is set to "0", output phase failure protection (E.LF) becomes invalid.

#### Input phase failure protection selection (Pr. 872)

When Pr. 872 is set to "1", input phase failure protection (E.ILF) is provided if a phase failure of one phase among the three phases is detected for 1s continuously.

#### NOTES

If an input phase failure continues for a long time during inverter operation, the converter section and capacitor lives of the inverter will be shorter.

If the load is light or during a stop, lost phase cannot be detected because detection is performed based on the fluctuation of bus voltage. Also, if the power supply voltage is imbalanced, phase loss is less likely detected.

Phase loss can not be detected during regeneration load operation.

If parameter copy is performed from single-phase power input specification model to three-phase power input specification model, Pr. 872 setting may be changed. Check Pr. 872 setting after parameter copy.

### 6.13.3 Earth (ground) fault detection at start (Pr. 249)

You can choose whether to make earth (ground) fault detection at start valid or invalid. Earth (Ground) fault detection is executed only right after the start signal is input to the inverter.

Protective function will not activate if an earth (ground) fault occurs during operation.

Pr. No.	Name	Initial Value	Setting Range	Description	Parameters referred to	Refer to Section
249	Earth (ground) fault detection at start	0	0	Without earth (ground) fault detection	—	
			1	With earth (ground) fault detection		

The above parameter can be set when Pr. 160 "User group read selection" = 0.

#### NOTES

As detection is executed at starting, output is delayed for approx. 20ms every starting.

If an earth (ground) fault is detected with "1" set in Pr. 249, output side earth (ground) fault over-current (E.GF) is detected and the inverter trips. (Refer to page 7-13.)

If the motor capacity is smaller than the inverter capacity for the FR-E740-120SC or more, earth (ground) fault detection may not be provided.

## 6.14 Energy saving operation

Purpose	Parameters that must be set		Refer to Section
Energy saving operation	Energy saving operation and optimum excitation control	Pr. 60	6.14.1

### 6.14.1 Optimum excitation control (Pr. 60)

Without a fine parameter setting, the inverter automatically performs energy saving operation. This inverter is optimum for fan and pump applications.

Pr. No.	Name	Initial Value	Setting Range	Description	Parameters referred to	Refer to Section
60	Energy saving control selection <sup>①</sup>	0	0	Normal operation mode	Advanced magnetic flux vector control General-purpose magnetic flux vector control	6.3.2 6.3.3
			9	Optimum excitation control mode		57 Restart coasting time

The above parameters can be set when Pr. 160 "User group read selection" = 0.

- ① When parameter is read using the FR-PU04, a parameter name different from an actual parameter is displayed.

When "9" is set in Pr. 60, the inverter operates in the optimum excitation control mode.

The optimum excitation control mode is a control system which controls excitation current to improve the motor efficiency to maximum and determines output voltage as an energy saving method.

#### NOTES

When the motor capacity is too small as compared to the inverter capacity or two or more motors are connected to the inverter, the energy saving effect is not expected.

When the optimum excitation control mode is selected, deceleration time may be longer than the setting value. Since overvoltage alarm tends to occur as compared to the constant torque load characteristics, set a longer deceleration time.

Optimum excitation control functions only under V/F control. Optimum excitation control does not function under advanced magnetic flux vector control and general-purpose magnetic flux vector control.

Optimum excitation control will not be performed during an automatic restart after instantaneous power failure.

Since output voltage is controlled by optimum excitation control, output current may slightly increase.

## 6.15 Motor noise, EMI measures, mechanical resonance

Purpose	Parameters that must be set		Refer to Section
Reduction of the motor noise Measures against EMI and leakage currents	Carrier frequency and Soft-PWM selection	Pr. 72, Pr. 240	6.15.1
Reduce mechanical resonance	Speed smoothing control	Pr. 653	6.15.2

### 6.15.1 PWM carrier frequency and soft-PWM control (Pr. 72, Pr. 240)

You can change the motor sound.

Pr. No.	Name	Initial Value	Setting Range	Description	Parameters referred to	Refer to Section
72	PWM frequency selection ①	1	0–15 (integral value)	PWM carrier frequency can be changed. The setting displayed is in [kHz]. The settings indicate the following frequencies: 0 ..... 0.7kHz Settings between 1–14 correspond directly to the frequency values. 15 ..... 14.5kHz	156 Stall prevention operation selection	6.3.5

The above parameters can be set when Pr. 160 "User group read selection" = 0.

- ① The above parameters allow its setting to be changed during operation in any operation mode even if "0" (initial value) is set in Pr. 77 "Parameter write selection".

#### PWM carrier frequency changing (Pr. 72)

You can change the PWM carrier frequency of the inverter.

Changing the PWM carrier frequency produces an effect on avoiding the resonance frequency of a mechanical system or motor or on reducing noise or leakage current generated from the inverter.

#### Soft-PWM control (Pr. 240)

Soft-PWM control is a control system that changes the motor noise from a metallic tone into an un-offending complex tone.

#### NOTES

Decreasing the PWM carrier frequency reduces inverter-generated noise and leakage current, but increases motor noise.

When PWM carrier frequency is set to 1kHz or less (Pr. 72 ≤ 1), fast response current limit may function prior to stall prevention operation due to increase in ripple currents, resulting in insufficient torque. In such case, set fast-response current limit operation invalid using Pr. 156 "Stall prevention operation selection".

When setting 2kHz or more in Pr. 72 to perform operation in the place where the ambient temperature exceeding 40°C, caution should be taken as the rated inverter current should be reduced. (Refer to appendix A-1.)

### 6.15.2 Speed smoothing control (Pr. 653)

Vibration due to mechanical resonance influences the inverter control, causing the output current (torque) unstable. In this case, the output current (torque) fluctuation can be reduced to ease vibration by changing the output frequency.

Pr. No.	Name	Initial Value	Setting Range	Description	Parameters referred to	Refer to Section
<b>653</b>	Speed smoothing control	0	0–200%	Increase or decrease the value using 100% as reference to check an effect.	—	

The above parameter can be set when Pr. 160 "User group read selection" = 0.

#### Control block diagram

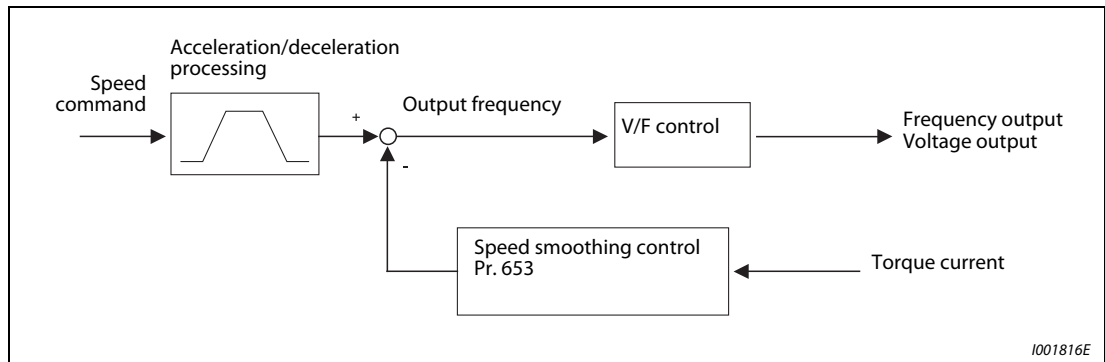


Fig. 6-89: Control block diagram of the speed smoothing control

#### Setting method

If vibration due to mechanical resonance occurs, set 100% in Pr. 653, run the inverter at the frequency which generates maximum vibration and check if the vibration will be reduced or not after several seconds.

If effect is not produced, gradually increase the Pr. 653 setting and check the effect repeatedly until the most effective value is set in Pr. 653.

If vibration becomes large by increasing the Pr. 653 setting, gradually decrease the Pr. 653 setting than 100% to check the effect in a similar manner.

**NOTE**

Depending on the machine, vibration may not be reduced enough or an effect may not be produced.

## 6.16 Frequency setting by analog input (terminal 2, 4)




Purpose	Parameters that must be set		Refer to Section
Selection of voltage/current input (terminal 2, 4) Perform forward/reverse rotation by analog input.	Analog input selection	Pr. 73, Pr. 267	6.16.1
Adjustment (calibration) of analog input frequency and voltage (current)	Bias and gain of frequency setting voltage (current)	Pr. 125, Pr. 126, Pr. 241, C2–C7 (Pr. 902–Pr. 905)	6.16.3

### 6.16.1 Analog input selection (Pr. 73, Pr. 267)

You can select the function that switches between forward rotation and reverse rotation according to the analog input terminal specifications and input signal.

The following settings are possible:

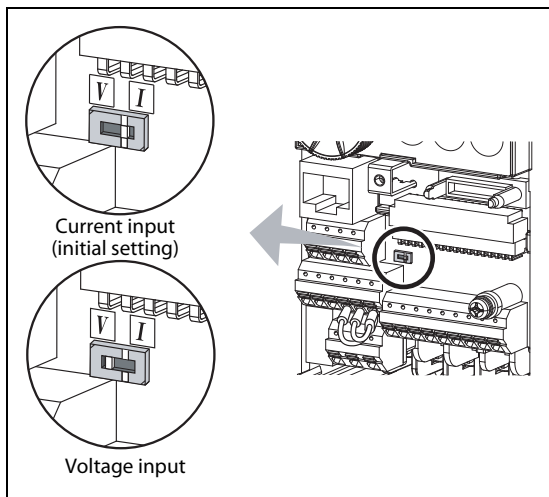
- Select reference voltages and currents: 0–10V, 0–5V oder 0/4–20mA
- Suppress motor reversing

Pr. No.	Name	Initial Value	Setting Range	Description		Parameters referred to	Refer to Section
<b>73</b>	Analog input selection	1	0	Terminal 2: 0–10V	Without reversible operation	125 Terminal 2 frequency setting gain frequency 126 Terminal 4 frequency setting gain frequency C2 Terminal 2 frequency setting bias frequency – to C7 Terminal 4 frequency setting gain	6.16.3 6.16.3 6.16.3 6.16.3
			1	Terminal 2: 0–5V			
			10	Terminal 2: 0–10V	With reversible operation		
			11	Terminal 2: 0–5V			
<b>267</b>	Terminal 4 input selection	0	<b>Voltage/Current Input Switch</b>		<b>Description</b>		
			0		Terminal 4: 0/4–20mA		
			1		Terminal 4: 0–5V		
			2		Terminal 4: 0–10V		

The above parameters can be set when Pr. 160 "User group read selection" = 0.

**Selection of analog input specifications**

For the terminal 2 for analog voltage input, 0 to 5V (initial value) or 0 to 10V can be selected. Either voltage input (0 to 5V, 0 to 10V) or current input (4 to 20mA initial value) can be selected for terminal 4 used for analog input. Change the input specifications by setting Pr. 73 and Pr. 267 and voltage/current input switch.



**Fig. 6-90:**  
Voltage/current input switch

1002131E

Rated specifications of terminal 4 change according to the voltage/current input switch setting:

Voltage input: Input resistance  $10k\Omega \pm 1k\Omega$ , maximum permissible input voltage 20V DC

Current input: Input resistance  $233\Omega \pm 5\Omega$ , maximum permissible current 30mA



**CAUTION:**

**Set Pr. 267 and a voltage/current input switch correctly, then input an analog signal in accordance with the setting. Incorrect setting as in the table below could cause component damage. Incorrect settings other than below can cause abnormal operation.**

Setting Causing Component Damage		Operation
Switch Setting	Terminal Input	
I (current input)	Voltage input	This could cause component damage to the analog signal output circuit of signal output devices. (electrical load in the analog signal output circuit of signal output devices increases)
V (voltage input)	Current input	This could cause component damage of the inverter signal input circuit. (output power in the analog signal output circuit of signal output devices increases)



Refer to the following table and set Pr. 73 and Pr. 267. The half-tone screened areas indicate the main speed setting.

Pr. 73	Terminal 2	Terminal 4		Polarity Reversible
		AU Signal		
0	0-10V	OFF	—	No
1 (initial value)	0-5V			
10	0-10V			Yes
11	0-5V			
0	—	ON	According to Pr. 267: 0: 4-20mA (initial value) 1: 0-5V 2: 0-10V	No
1 (initial value)				
10	—			Yes
11				

**Tab. 6-46:** Setting of parameter 73 and 267

The terminal used for the AU signal input, set "4" in Pr. 178 to Pr. 184 "Input terminal function selection" to assign functions.

#### NOTES

Turn the AU signal on to make terminal 4 valid.

Make sure that the parameter and switch settings are the same. Different setting may cause a fault, failure or malfunction.

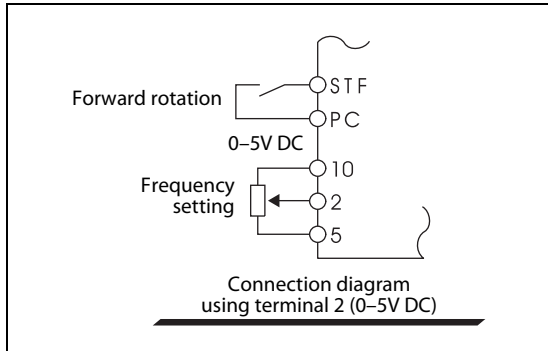
Use Pr. 125 (Pr. 126) "Frequency setting gain" to change the maximum output frequency at input of the maximum output frequency command voltage (current). At this time, the command voltage (current) need not be input. Also, the acceleration/deceleration time, which is a slope up/down to the acceleration/deceleration reference frequency, is not affected by the change in Pr. 73 setting.

Changing the terminal assignment using Pr. 178 to Pr. 184 "Input terminal function selection" may affect the other functions. Make setting after confirming the function of each terminal.

**Perform operation by analog input voltage**

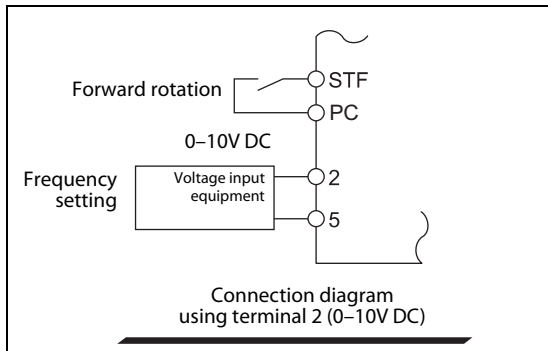
The frequency setting signal inputs 0 to 5V DC (or 0 to 10V DC) to across the terminals 2-5. The 5V (10V) input is the maximum output frequency.

The power supply 5V can be input by either using the internal power supply or preparing an external power supply. Prepare an external power supply to input the power supply 10V. For the built-in power supply, terminals 10-5 provide 5V DC output.



**Fig. 6-91:**  
Frequency setting by voltage 0–5V DC

I001182E



**Fig. 6-92:**  
Frequency setting by voltage 0–10V DC

I001884E

Terminal	Inverter Built-in Power Supply Voltage	Frequency Setting Resolution	Pr. 73 (Terminal 2 Input Voltage)
10	5V DC	0.1Hz/50Hz	0–5V DC

**Tab. 6-47:** Built-in power supply voltage

When inputting 10V DC to the terminal 2, set "0" or "10" in Pr. 73. (The initial value is 0 to 5V.)

Setting "1 (0 to 5V DC)" or "2 (0 to 10V DC)" in Pr. 267 and a voltage/current input switch in the OFF position changes the terminal 4 to the voltage input specification. When the AU signal turns on, the terminal 4 input becomes valid.

**NOTE**

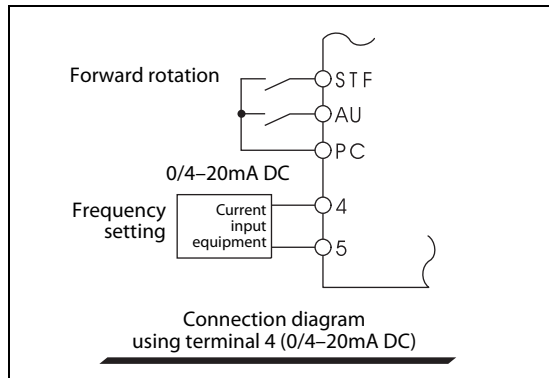
The wiring length of the terminal 10, 2, 5 should be 30m maximum.

### Perform operation by analog input current

When the pressure or temperature is controlled constant by a fan, pump, etc., automatic operation can be performed by inputting the output signal 0/4 to 20mA of the adjuster to across the terminals 4-5.

#### NOTE

The AU signal must be turned on to use the terminal 4. For the terminal used for AU signal input, set "4" in any of Pr. 178 to Pr. 184 "Input terminal function selection" to assign the function.



**Fig. 6-93:**

Frequency setting by the function "Current input 0/4-20mA" assigned to terminal 4

1001184E

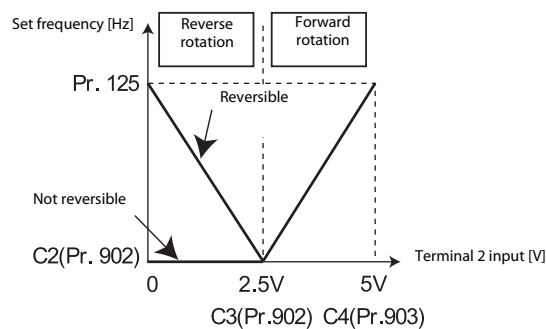
### Perform forward/reverse rotation by analog input (polarity reversible operation)

Setting "10" or "11" in Pr. 73 and adjusting Pr. 125 (Pr. 126) "Terminal 2 frequency setting gain frequency" (Terminal 4 frequency setting gain frequency) and C2 (Pr. 902) "Terminal 2 frequency setting bias frequency" to C7 (Pr. 905) "Terminal 4 frequency setting gain" makes reverse operation by terminal 2 (terminal 4) valid.

#### Example ▽

When performing reversible operation by terminal 2 (0 to 5V) input.

- ① Set "11" in Pr. 73 to make reversible operation valid.  
Set frequency at maximum analog input in Pr. 125 (Pr. 903).
- ② Set 1/2 of the value set in C4 (Pr. 903) in C3 (Pr. 902).
- ③ Reversible operation is performed when 0 to 2.5V DC is input and forward rotation when 2.5 to 5V DC.



△



#### CAUTION:

**When reversible operation is set, be aware of reverse rotation operation when analog input stops (only the start signal is input).**

#### NOTE

When reversible operation is valid, reversible operation (0 to 4mA: reverse operation, 4mA to 20mA: forward operation) is performed by terminal 4 in the initial setting.

### 6.16.2 Input filter time constant (Pr. 74)

If the set point signal (terminal 2 or 4) is an unstable signal or contains noise you can filter out the instability or noise by increasing the setting value of Pr. 74.

Pr. No.	Name	Initial Value	Setting Range	Description	Parameters referred to	Refer to Section
<b>74</b>	Input filter time constant	1	0-8	Set the primary delay filter time constant for the analog input. A larger setting results in a larger filter.	—	

The above parameters can be set when Pr. 160 "User group read selection" = 0.

Increase the filter time constant if steady operation cannot be performed due to noise. A larger setting results in slower response. (The time constant can be set between approximately 5ms to 1s with the setting of 0 to 8.)

### 6.16.3 Bias and gain of frequency setting voltage (current) [Pr. 125, Pr. 126, Pr. 241, C2 (Pr. 902) to C7 (Pr. 905)]

You can set the magnitude (slope) of the output frequency as desired in relation to the frequency setting signal (0 to 5V, 0 to 10V or 0/4 to 20mA DC).

These parameters can be used to configure the inverter precisely for set point signals that either exceed or do not quite reach 5V or 10V or 20mA. These settings can also be used to configure inverse control (i.e. high output frequency at minimum set point signal, minimum output frequency at maximum set point signal).

Pr. No.	Name	Initial Value	Setting Range	Description	Parameters referred to	Refer to Section	
<b>125</b>	Terminal 2 frequency setting gain frequency	50Hz	0–400Hz	Set the frequency of terminal 2 input gain (maximum).	20 Acceleration/ deceleration reference frequency 73 Analog input selection 267 Terminal 4 input selection 79 Operation mode selection	6.7.1 6.16.1 6.16.1 6.18.1	
<b>126</b>	Terminal 4 frequency setting gain frequency	50Hz	0–400Hz	Set the frequency of terminal 4 input gain (maximum).			
<b>241</b>	Analog input display unit switchover <sup>① ③</sup>	0	0	Displayed in %			Select the unit of analog input display.
			1	Displayed in V/mA			
<b>C2 (902)</b>	Terminal 2 frequency setting bias frequency <sup>① ②</sup>	0Hz	0–400Hz	Set the frequency on the bias side of terminal 2 input.			
<b>C3 (902)</b>	Terminal 2 frequency setting bias <sup>① ②</sup>	0%	0–300%	Set the converted % of the bias side voltage (current) of terminal 2 input.			
<b>C4 (903)</b>	Terminal 2 frequency setting gain <sup>① ②</sup>	100%	0–300%	Set the converted % of the gain side voltage of terminal 2 input.)			
<b>C5 (904)</b>	Terminal 4 frequency setting bias frequency <sup>① ②</sup>	0Hz	0–400Hz	Set the frequency on the bias side of terminal 4 input.			
<b>C6 (904)</b>	Terminal 4 frequency setting bias <sup>① ②</sup>	20%	0–300%	Set the converted % of the bias side current (voltage) of terminal 4 input.			
<b>C7 (905)</b>	Terminal 4 frequency setting gain <sup>① ②</sup>	100%	0–300%	Set the converted % of the gain side current (voltage) of terminal 4 input.			

① The above parameters can be set when Pr. 160 "User group read selection" = 0.

② The parameter number in parentheses is the one for use with the operation panel (PA02) for the FR-E500 series or parameter unit (FR-PU04/FR-PU07).

③ The above parameter allow its setting to be changed during operation in any operation mode even if "0" (initial value) is set in Pr. 77 "Parameter write selection".

**Change the frequency at maximum analog input (Pr. 125, Pr. 126)**

Set a value to Pr. 125 (Pr. 126) when changing only the frequency setting (gain) of the maximum analog input power (current). (C2 (Pr. 902) to C7 (Pr. 905) setting need not be changed.)

**Analog input bias/gain calibration [C2 (Pr. 902) to C7 (Pr. 905)]**

The parameters for input bias and gain can be used to configure the inverter for set point signals that do not exactly match 5V or 10V or 20mA. You can enter the exact output frequencies to be associated with the minimum and maximum signal values separately for terminals 2 and 4. This feature can also be used to configure an inverse control characteristic (i.e. high output frequency at minimum set point signal, minimum output frequency at maximum set point signal).

Set the bias frequency of the terminal 2 input using C2 (Pr. 902). (Factory-set to the frequency at 0V.)

Parameter C3 (Pr. 902) is the frequency setting bias for the input signal at terminal 2, i.e. the minimum value of the analog signal. When signals are smaller than this value the frequency set point signal will be limited to the value set with C2.

Parameter 125 sets the gain for the terminal 2 output frequency. This is the frequency set point value that corresponds to the maximum analog signal defined with Pr. 73. (Pr. 125 is set to a default value of 50Hz at the factory.)

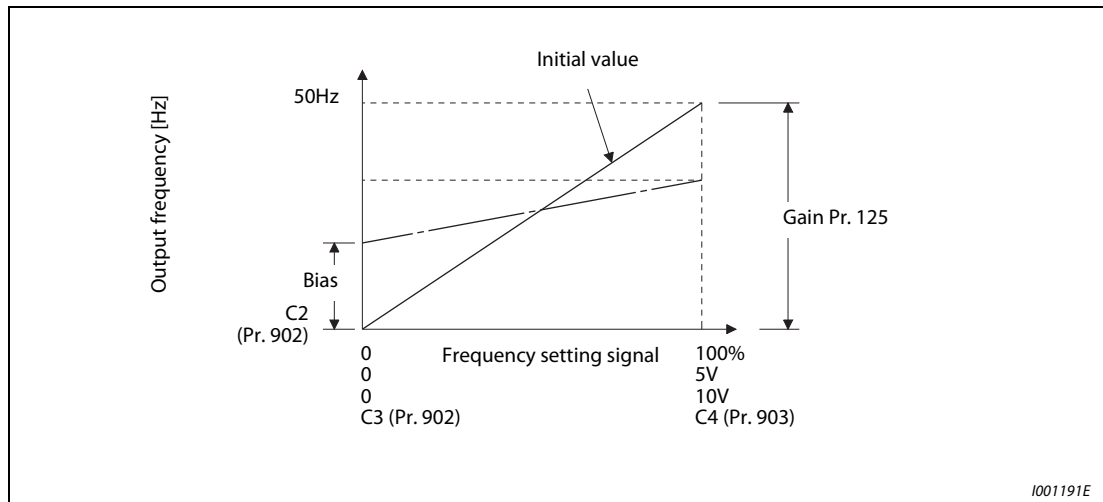
Parameter C4 (Pr. 903) sets the gain for the input signal on terminal 2, i.e. the maximum value of the analog signal connected to terminal 2. When signals exceed this value the frequency set point value is limited to the value stored in Pr. 125.

Parameter C5 (Pr. 904) sets the frequency set point bias frequency for terminal 4. This is the frequency corresponding to the minimum analog signal. (This parameter is set to a default value of 0Hz at the factory.)

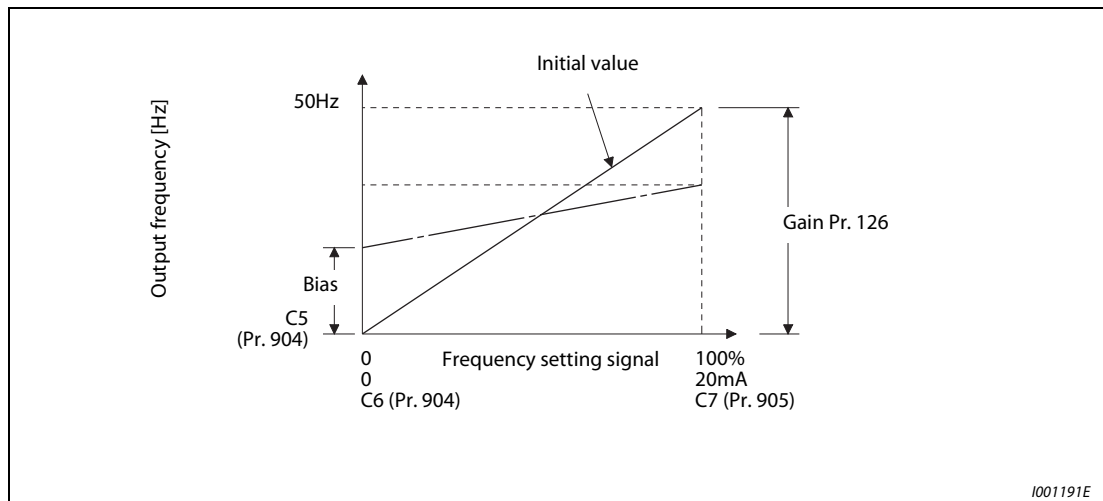
Parameter C6 (Pr. 904) sets the bias of the input signal on terminal 4, i.e. the minimum value of the analog signal connected to terminal 4. When the signal on this terminal is lower than this value the frequency set point value is limited to the value set with C5. (This parameter is set to a default value of 20% at the factory, which corresponds to approx. 4mA.)

Parameter 126 sets the gain for the terminal 4 output frequency. This is the frequency set point value that corresponds to the maximum analog signal defined with Pr. 73. (Pr. 126 is set to a default value of 50Hz at the factory.)

Parameter C7 (Pr. 905) sets the gain of the input signal on terminal 4, i.e. the maximum value of the analog signal connected to terminal 4. When the signal on this terminal is higher than this value the frequency set point value is limited to the value set with Pr. 126.



**Fig. 6-94:** Signal adjustment of terminal 2



**Fig. 6-95:** Signal adjustment of terminal 4

There are three methods to adjust the frequency setting voltage (current) bias/gain:

- Method to adjust any point by application of voltage (current) to across the terminals 2-5 (4-5). (Refer to page 6-185.)
- Method to adjust any point without application of a voltage (current) to across terminals 2-5 (4-5). (Refer to page 6-186.)
- Adjusting only the frequency without adjusting the voltage (current). (Refer to page 6-187.)

**NOTE**

When voltage/current input signal for terminal 4 was switched using Pr. 267 and voltage/current input switch, perform calibration without fail.

**Analog input display unit changing (Pr. 241)**

The level display for the analog signal connected to terminal 2 or terminal 4 can be switched between a % display and a display in V or mA.

Depending on the terminal input specification set to Pr. 73 and Pr. 267, the display units of C3 (Pr. 902), C4 (Pr. 903), C6 (Pr. 904) and C7 (Pr. 905) change as shown below.

Analog Command (Terminal 2, 4) (Depending on Pr. 73, Pr. 267, and Voltage/Current Input Switch)	Pr. 241 = 0 (Initial Value)	Pr. 241 = 1
0–5V	0 to 5V → 0 to 100% is displayed.	0 to 5V → 0 to 5V is displayed.
0–10V	0 to 10V → 0 to 100% is displayed.	0 to 10V → 0 to 10V is displayed.
0/4–20mA	0 to 20mA → 0 to 100% is displayed.	0 to 20mA → 0 to 20mA is displayed.

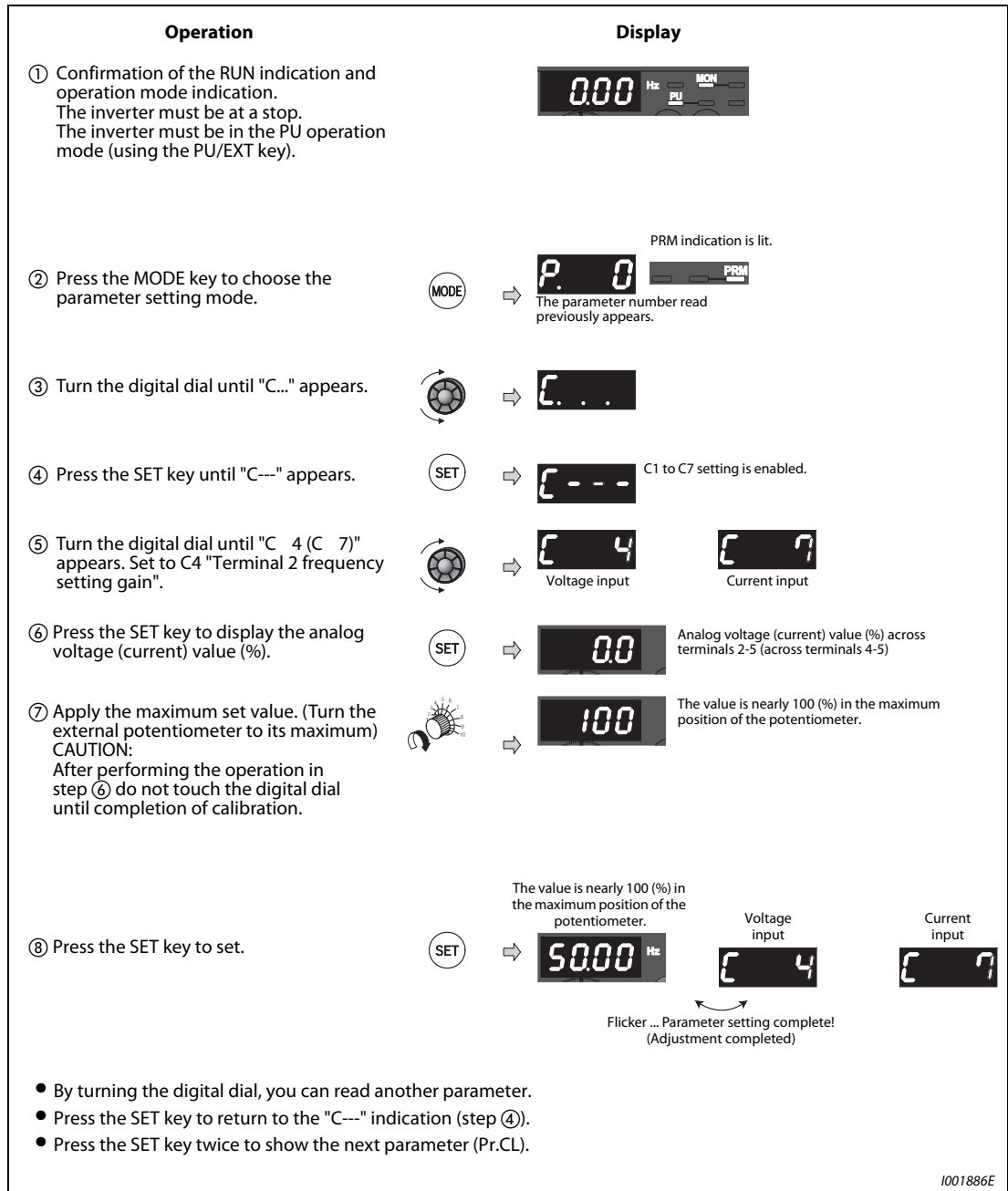
**Tab. 6-48:** Units when displaying the set value

Note that the LED A also light up as an additional indicator when Pr. 241 is set to "1" and the display is set to the settings for C3/C4 or C6/C7.



**Frequency setting signal (current) bias/gain adjustment method**

1. Method to adjust any point by application of voltage (current) to across the terminals 2-5 (4-5).  
The following example illustrating the procedure assumes that Pr. 241 is set to "0":



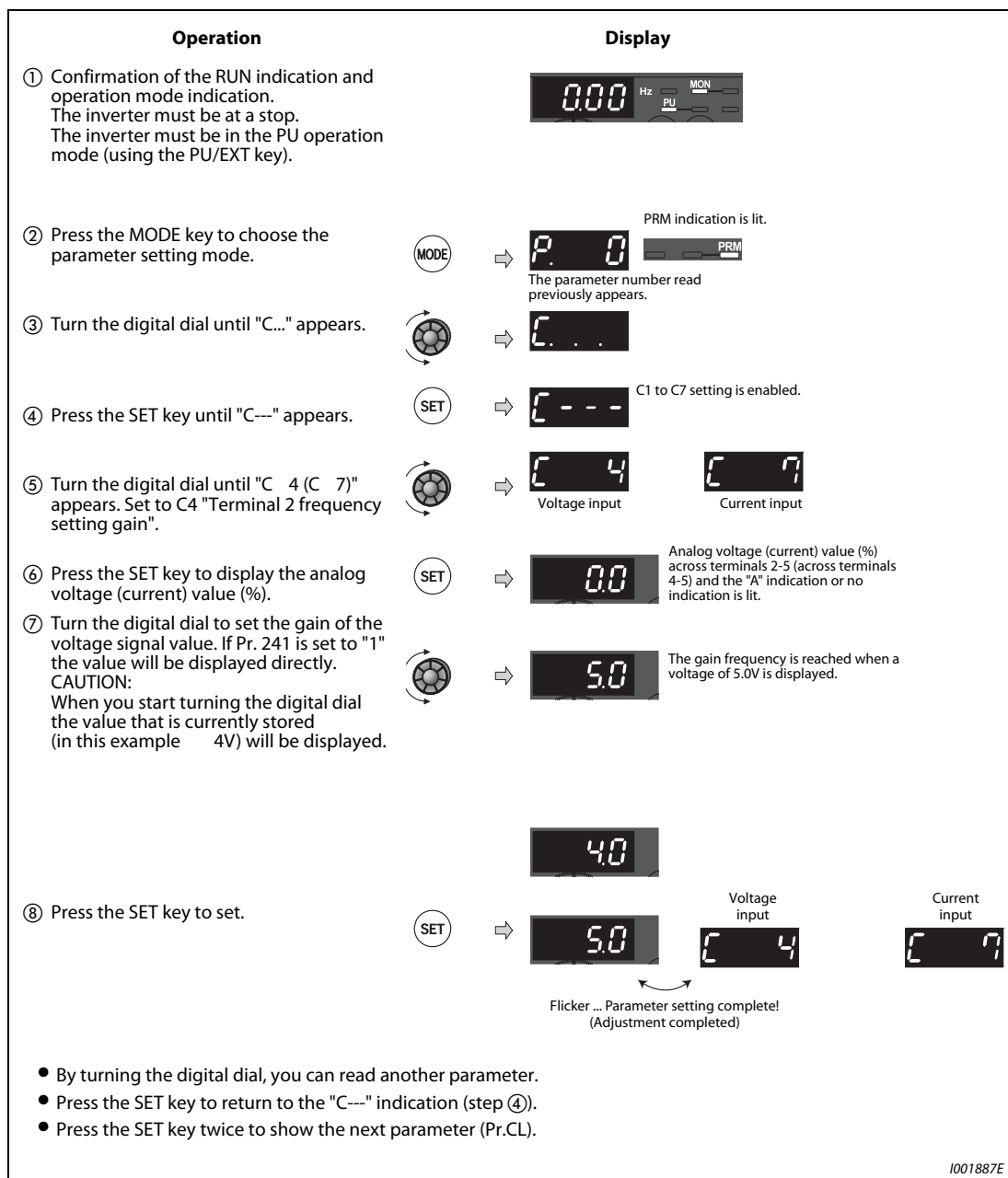
**Fig. 6-96:** Bias and gain adjustment by application of an reference signal

**NOTES**

If the frequency meter (display meter) connected across the terminals AM-5 does not indicate just 50Hz, set the calibration parameter C1 "AM terminal calibration". (Refer to section 6.11.4).

Error code Er3 may be displayed when you save if the frequency values for gain and bias are less than approx. 5% apart. If this happens correct the frequency settings and save again.

2. Method to adjust any point without application of a voltage (current) to across terminals 2-5 (4-5).  
(This example shows how to change from 4V to 5V, assuming that Pr. 241 is set to "1".)

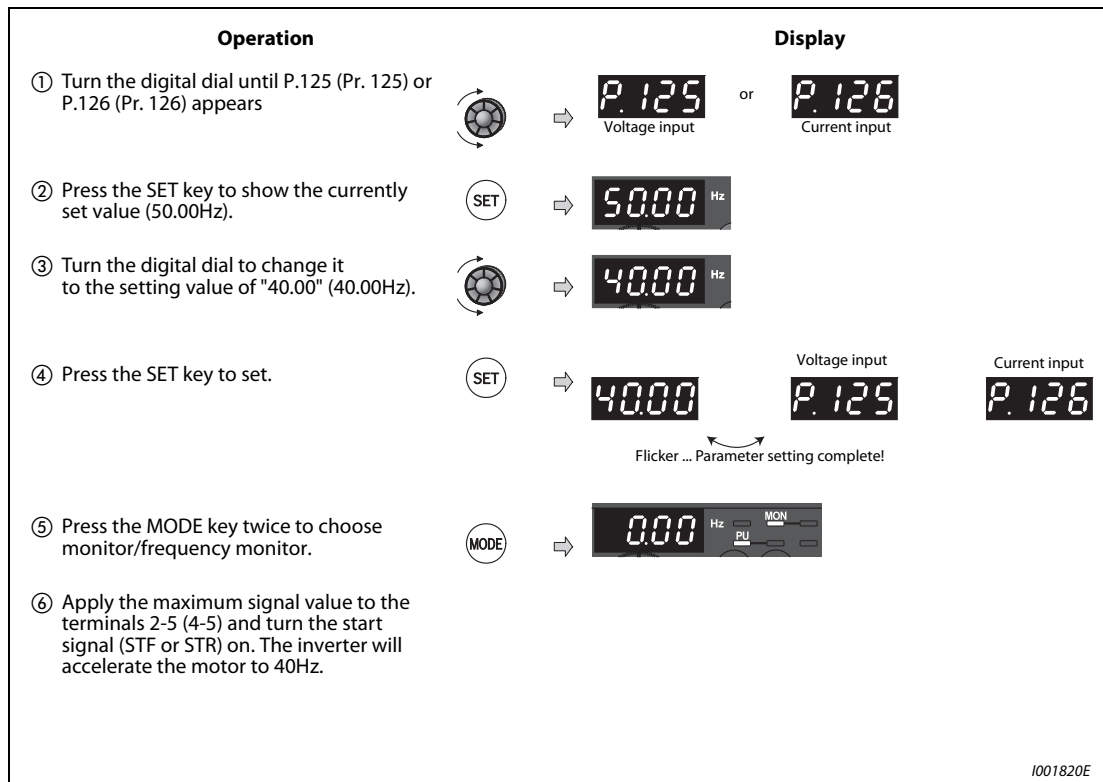


**Fig. 6-97:** Bias and gain adjustment without application of an reference signal

**NOTE**

By pressing the digital dial after step ⑥, you can confirm the current frequency setting bias/gain setting. It cannot be confirmed after execution of step ⑦.

3. Method to adjust only the frequency without adjustment of a gain voltage (current).  
(The gain frequency is changed from 50Hz to 40Hz.)



**Fig. 6-98:** Adjusting only the frequency without adjustment of a voltage (current)

#### NOTES

Changing C4 (Pr. 903) or C7 (Pr. 905) (gain adjustment) value will not change the Pr. 20 value.

For the operation procedure using the parameter unit (FR-PU04/FR-PU07), refer to the FR-PU04/FR-PU07 instruction manual.

When setting the value to 120Hz or more, it is necessary to set Pr. 18 "High speed maximum frequency" to 120Hz or more. (Refer to page 6-50.)

Make the bias frequency setting using calibration parameter C2 (Pr. 902) or C5 (Pr. 904). (Refer to page 6-182.)



#### CAUTION:

**Take care when setting any value other than "0" as the bias speed at 0V (0/4mA). Even if a frequency command is not given, merely turning on the start signal will start the motor at the preset frequency.**

## 6.17 Misoperation prevention and parameter setting restriction

Purpose	Parameters that must be set		Refer to Section
Limit reset function Make alarm stop when PU is disconnected Stop from PU	Reset selection/ disconnected PU detection/ PU stop selection	Pr. 75	6.17.1
Prevention of parameter rewrite	Parameter write selection	Pr. 77	6.17.2
Prevention of reverse rotation of the motor	Reverse rotation prevention selection	Pr. 78	6.17.3
Displays necessary parameters	Display of applied parameters and user group function	Pr. 160, Pr. 172–Pr. 174	6.17.4
Parameter restriction using password	Password function	Pr. 296 Pr. 297	6.17.5
Control of parameter write by communication	E <sup>2</sup> PROM write selection	Pr. 342	6.19.3

### 6.17.1 Reset selection/disconnected PU detection/PU stop selection (Pr. 75)

You can select the reset input acceptance, disconnected PU (FR-PU04/FR-PU07) connector detection function and PU stop function.

Pr. No.	Name	Initial Value	Setting Range	Description	Parameters referred to	Refer to Section
75	Reset selection/ disconnected PU detection/ PU stop selection	14	0–3/14–17	For the initial value, reset always enabled, without disconnected PU detection, and with PU stop function are set.	250 Stop selection 551 PU mode operation command source selection	6.9.3 6.18.3

The above parameter can be set when Pr. 160 "User group read selection" = 0.

This parameter allows its setting to be changed during operation in any operation mode even if "0" (initial value) is set in Pr. 77 "Parameter write selection". Also, if parameter (all) clear is executed, this setting will not return to the initial value.

Pr. 75	Reset Selection	Disconnected PU Detection	PU Stop Selection
0	Reset input always enabled.	If the PU is disconnected, operation will be continued.	Pressing the STOP key decelerates the motor to a stop only in the PU operation mode.
1	Enabled only when the protective function is activated		
2	Reset input always enabled.	When the PU is disconnected, the inverter output is shut off.	
3	Enabled only when the protective function is activated		
14 (initial value)	Reset input always enabled.	If the PU is disconnected, operation will be continued.	Pressing the STOP key decelerates the motor to a stop in any of the PU, external and communication operation modes.
15	Enabled only when the protective function is activated		
16	Reset input always enabled.	When the PU is disconnected, the inverter output is shut off.	
17	Enabled only when the protective function is activated		

**Tab. 6-49:** Setting of parameter 75

**Reset selection**

You can select the enable condition of reset function (RES signal, reset command through communication) input.

When Pr. 75 is set to any of "1, 3, 15, 17", a reset can be input only when the inverter is tripped.

**NOTES**

When the reset signal (RES) is input during operation, the motor coasts since the inverter being reset shuts off the output. Also, the cumulative value of the electronic thermal relay function and the regenerative brake duty are cleared.

The reset key of the PU is valid only when the protective function is activated, independently of the Pr. 75 setting.

**Disconnected PU detection**

This function detects that the PU (FR-PU04/FR-PU07) has been disconnected from the inverter for longer than 1s and causes the inverter to provide an alarm output (E.PUE) and come to an alarm stop.

When Pr. 75 is set to any of "0, 1, 14, 15", operation is continued if the PU is disconnected.

**NOTES**

When the PU has been disconnected since before power-on, it is not judged as an alarm.

To make a restart, confirm that the PU is connected and then reset the inverter.

The motor decelerates to a stop when the PU is disconnected during PU jog operation with Pr. 75 set to any of "0, 1, 14, 15" (operation is continued if the PU is disconnected).

When RS-485 communication operation is performed through the PU connector, the reset selection/PU stop selection function is valid but the disconnected PU detection function is invalid.

**PU stop selection**

In any of the PU operation, external operation and network operation modes, the motor can be stopped by pressing the STOP key of the PU.

When the inverter is stopped by the PU stop function (refer to section 4.3 "Operation panel") in the external operation mode, "PS" is displayed but an alarm is not output. An alarm output is not provided.

After the motor is stopped from the PU, it is necessary to perform PU stop (PS) reset to restart. PS reset can be made from the unit from which PU stop is made (operation panel, parameter unit (FR-PU04/PU07, operation panel for FR-E500 (PA02))).

The motor can be restarted by making PS cancel using a power supply reset or RES signal.

When Pr. 75 is set to any of "0 to 3", PU stop (PS display) is invalid, deceleration to a stop by the STOP key is valid only in the PU operation mode.

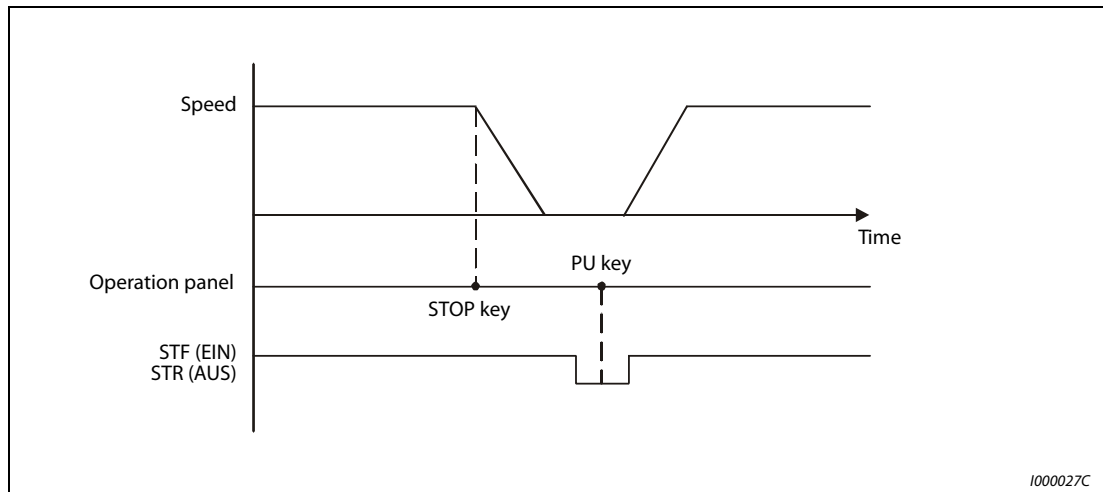
**NOTE**

During operation in the PU operation mode through USB communication or RS-485 communication from the PU connector, the motor decelerates to stop (PU stop) when STOP is entered from the operation panel.

### Restarting method when stop was made by pressing the STOP key from the PU during external operation ("PS" is displayed)

#### Operation panel

- ① After the motor has decelerated to a stop, turn off the STF or STR signal.
- ② Press the PU/EXT key to change to the PU operation mode. The PU indication is lit. The message "PS" is canceled.
- ③ Press the PU/EXT key to change to the external operation mode. The EXT indication is lit.
- ④ Turn on the STF or STR signal.



**Fig. 6-99:** Stop during external operation

#### Parameter unit (FR-PU04/FR-PU07)

- ① After completion of deceleration to a stop, switch off the STF or STR signal.
- ② Press the EXT key. The message "PS" is canceled.
- ③ Switch on the STF or STR signal.

The motor can be restarted by making a reset using a power supply reset or RES signal.

#### NOTE

If Pr. 250 "Stop selection" is set to other than "9999" to select coasting to a stop, the motor will not be coasted to a stop but decelerated to a stop by the PU stop function during external operation.

**Restart (PS reset) method when PU stop (PS display) is made during PU operation**

PU stop (PS display) is made when the motor is stopped from the unit where control command source is not selected (operation panel, parameter unit (FR-PU04/FR-PU07, operation panel for FR-E500 (PA02)) in the PU operation mode.

For example, when Pr. 551 "PU mode operation command source selection" = 9999 (initial value), the motor is stopped from the PU (PS display) if entered from the operation panel in PU operation mode with the parameter unit mounted.

**When the motor is stopped from the PU when the parameter unit (FR-PU04/FR-PU07) is selected as control command source**

- ① After the motor has decelerated to a stop, press the STOP/RESET key of the parameter unit (FR-PU04/FR-PU07).
- ② Press the PU/EXT key to change to the external operation mode. The EXT indication is lit. The message "PS" is canceled.
- ③ Press the PU key of the parameter unit (FR-PU04/FR-PU07) to select the PU operation mode.
- ④ Press the FWD or the REV key of the parameter unit (FR-PU04/FR-PU07).

**NOTE**

When Pr. 551 = "9999", the priorities of the PU control source is USB connector > parameter unit (FR-PU04/FR-PU07) > operation panel.

**CAUTION:**

***Do not reset the inverter while the start signal is being input. Otherwise, the motor will start instantly after resetting, leading to potentially hazardous conditions.***



## 6.17.2 Parameter write selection (Pr. 77)

You can select whether write to various parameters can be performed or not. Use this function to prevent parameter values from being rewritten by misoperation.

Pr. No.	Name	Initial Value	Setting Range	Description	Parameters referred to	Refer to Section
77	Parameter write selection	0	0	Write is enabled only during a stop.	79 Operation mode selection	6.18.1
			1	Parameter write is not enabled.		
			2	Parameter write is enabled in any operation mode regardless of operation status.		

The above parameter can be set when Pr. 160 "User group read selection" = 0.

Pr. 77 can be always set independently of the operation mode and operation status.

### Write parameters only at a stop (Pr. 77 = 0)

Parameters can be written only during a stop in the PU operation mode.

The half-tone screened parameters in the parameter list (Tab. 6-1) can always be written, regardless of the operation mode and operation status. However, Pr. 72 "PWM frequency selection", Pr. 240 "Soft-PWM operation selection" and Pr. 275 "Stop-on contact excitation current low-speed multiplying factor" can be written during operation in the PU operation mode, but cannot be written in external operation mode.

### Disable parameter write (Pr. 77 = 1)

Parameter write is not enabled. (Reading is enabled.)

Parameter clear and all parameter clear cannot be performed, either.

The parameters given below can be written if Pr. 77 = 1.

Parameter	Name
22	Stall prevention operation level
75	Reset selection/disconnected PU detection/PU stop selection
77	Parameter write selection
79	Operation mode selection
160	User group read selection
296	Password lock level
297	Password lock/unlock

**Tab. 6-50:** Parameters that can be written even if Pr. 77 = 1

**Write parameters during operation (Pr. 77 = 2)**

Parameters can always be written. The following parameters cannot be written during operation if Pr. 77 = 2. Stop operation when changing their parameter settings.

Parameter	Name
23	Stall prevention operation level compensation factor at double speed
40	RUN key rotation direction selection
48	Second stall prevention operation current
60	Energy saving control selection
61	Reference current
66	Stall prevention operation reduction starting frequenc
71	Applied motor
79	Operation mode selection
80	Motor capacity (simple magnetic flux vector control)
81	Number of motor poles
82	Motor excitation current
83	Motor rated voltage
84	Rated motor frequency
90–94	Motor constants
96	Auto tuning setting/status
178–184	Input terminal function selection
190–192	Output terminal function selection
277	Stall prevention operation current switchover
292	Automatic acceleration/deceleration
293	Acceleration/deceleration separate selection
298	Frequency search gain
329	Digital input unit selection (Parameter for the plug-in option FR-A7AX-Ekit-SC-E)
450	Second applied motor
541	Frequency command sign selection (CC-Link) (Parameter for the plug-in option FR-A7NC-Ekit-SC-E)
800	Control method selection
859	Torque current

**Tab. 6-51:** Parameters that cannot be written during operation

### 6.17.3 Reverse rotation prevention selection (Pr. 78)

In some applications (fans, pumps) it is necessary to ensure that the motor cannot be reversed. This can be achieved with Pr. 78.

Pr. No.	Name	Initial Value	Setting Range	Description	Parameters referred to	Refer to Section
78	Reverse rotation prevention selection	0	0	Both forward and reverse rotations allowed	—	
			1	Reverse rotation disabled		
			2	Forward rotation disallowed		

The above parameter can be set when Pr. 160 "User group read selection" = 0.

Set this parameter when you want to limit the motor rotation to only one direction.

This parameter is valid for all of the reverse rotation and forward rotation keys of the operation panel and parameter unit (FR-PU04/FR-PU07), the start signals (STF, STR signals) via external terminals, and the forward and reverse rotation commands through communication.

### 6.17.4 User groups (Pr. 160, Pr. 172 to Pr. 174)

Parameter which can be read from the operation panel and parameter unit can be restricted. In the initial setting, only the simple mode parameters are displayed.

Pr. No.	Name	Initial Value	Setting Range	Description	Parameters referred to	Refer to Section
160	User group read selection ③	0	9999	Only the simple mode parameters can be displayed.	550 NET mode operation command source selection 551 PU mode operation command source selection	6.18.3 6.18.3
			0	The simple mode and extended parameters can be displayed.		
			1	Only parameters registered in the user group can be displayed.		
172	User group registered display/ batch clear ①	0	(0-16)	Displays the number of cases registered as a user group (Read only)		
			9999	Batch clear the user group registration		
173	User group registration ① ②	9999	0-999/ 9999	Set the parameter numbers to be registered to the user group.		
174	User group clear ① ②	9999	0-999/ 9999	Set the parameter numbers to be cleared from the user group.		

- ① The above parameter can be set when Pr. 160 "User group read selection" = 0.  
 ② The values read from Pr. 173 and Pr. 174 are always "9999".  
 ③ This parameter allows its setting to be changed during operation in any operation mode even if "0" (initial value) is set in Pr. 77 "Parameter write selection".

#### Display of simple mode parameters and extended parameters (Pr. 160)

When Pr. 160 = "9999", only the simple mode parameters can be displayed on the operation panel and parameter unit (FR-PU04/FR-PU07). (Refer to the parameter list Tab. 6-1 for the simple mode parameters.)

Setting "0" to Pr. 160 enables the display of the simple mode parameters and extended parameters.

#### NOTES

When a plug-in option is fitted to the inverter, the option parameters can also be read.

When reading the parameters using the communication option, all parameters (simple mode, extended mode, parameters for options) can be read regardless of the Pr. 160 setting.

When RS-485 communication is used to read the parameters, all parameters can be read, regardless of the Pr. 550 "NET mode operation command source selection", Pr. 551 "PU mode operation command source selection", regardless of Pr. 160 setting.

Pr. 551	Pr. 550	Pr. 160 Valid/Invalid
2 (PU)	—	Valid
3 (USB) 9999 (auto-detect) (initial value)	0 (communication option)	Valid
	2 (PU)	Invalid (all readable)
	9999 (auto-detect) (initial value)	With communication option: valid Without communication option: invalid (all readable)

Pr. 15 "Jog frequency", Pr. 16 "Jog acceleration/deceleration time", and Pr. 991 "PU contrast adjustment" are displayed as simple mode parameter when the parameter unit (FR-PU04/FR-PU07) is fitted.

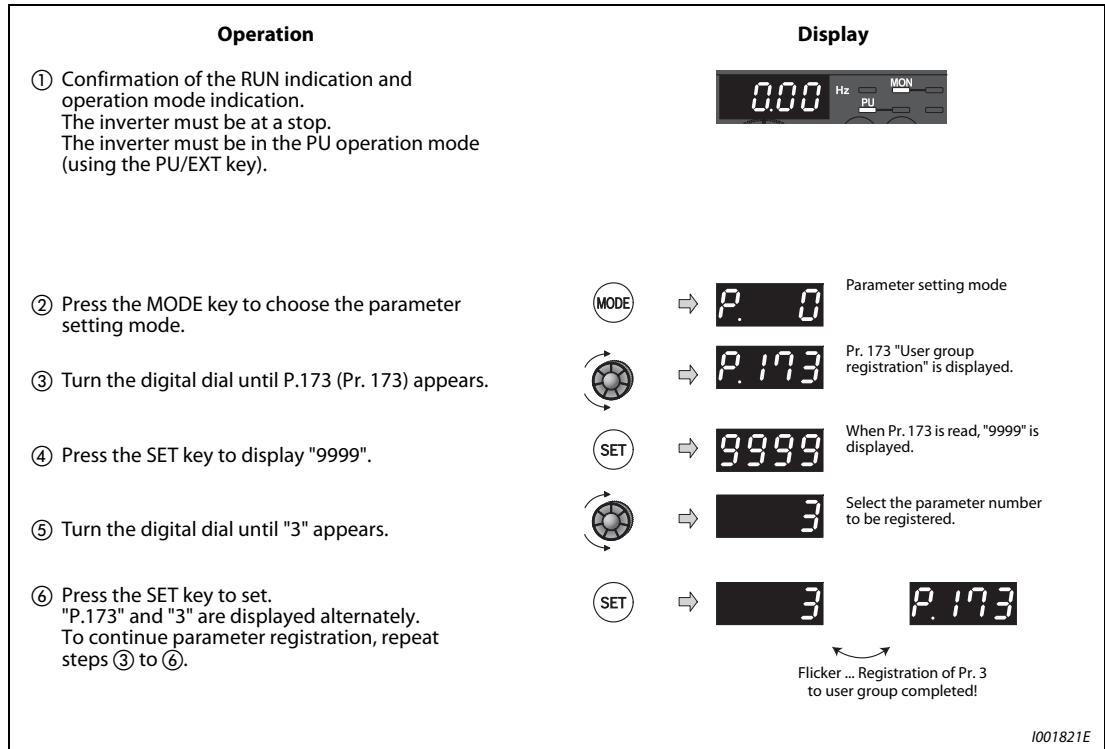
**User group function (Pr. 160, Pr. 172 to Pr. 174)**

The user group function is designed to display only the parameters necessary for setting.

From among all parameters, a maximum of 16 parameters can be registered to a user group. When Pr. 160 is set to "1", only the parameters registered to the user group can be accessed. (Reading of parameters other than the user group registration is disabled.)

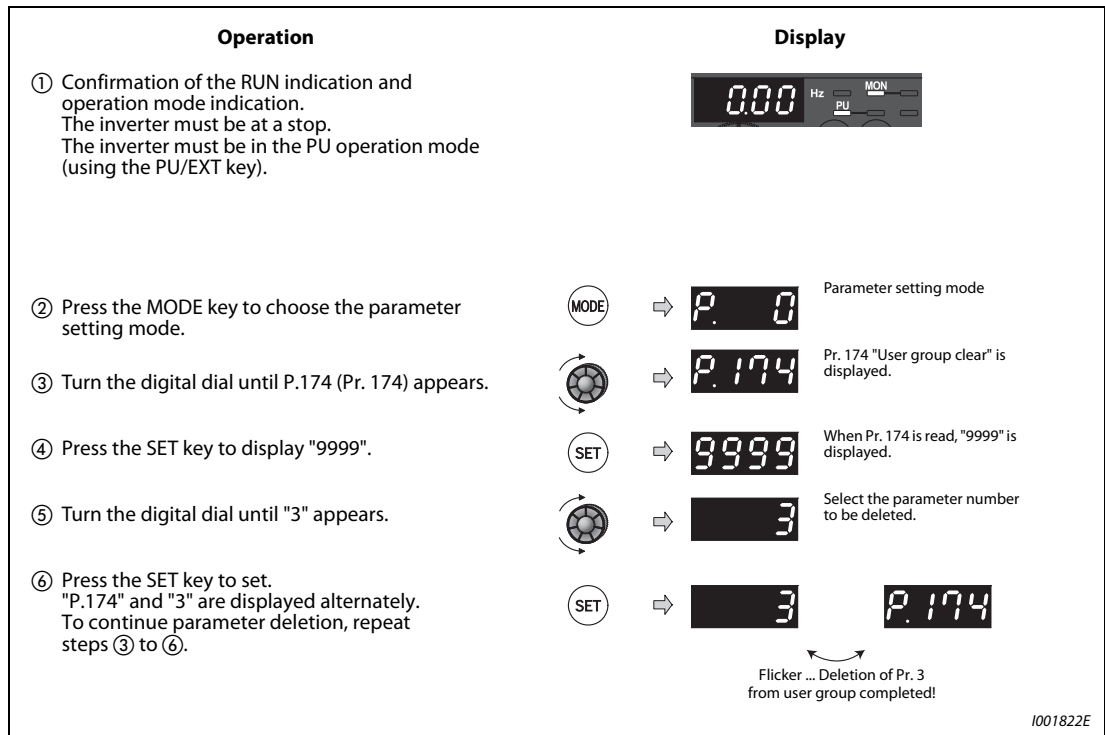
To register a parameter to the user group, set its parameter number to Pr. 173. To delete a parameter from the user group, set its parameter number to Pr. 174. To batch-delete the registered parameters, set Pr. 172 to "9999".

**Registration of parameter to user group (Pr. 173)**



**Fig. 6-100:** When registering Pr. 3 to user group

**Deletion of parameter from user group (Pr. 174)**



**Fig. 6-101:** When deleting Pr. 3 from user group

**NOTES**

- | Pr. 77, Pr. 160 and Pr. 991 can always be read, independently of the user group setting.
- | Pr. 77, Pr. 160 and Pr. 172 to Pr. 174 cannot be registered to the user group.
- | When Pr. 174 is read, "9999" is always displayed. Although "9999" can be written, no function is available.
- | When any value other than "9999" is set to Pr. 172, no function is available.

## 6.17.5 Password function (Pr. 296, Pr. 297)

Registering 4-digit password can restrict parameter reading/writing.

Pr. No.	Name	Initial Value	Setting Range	Description	Parameters referred to	Refer to Section
296	Password lock level <sup>①</sup>	9999	0-6/99/ 100-106/199	Select restriction level of parameter reading/writing when a password is registered.	77 Parameter write selection	6.17.2
			9999	No password lock	160 Extended function display selection	6.17.4
297	Password lock/unlock <sup>②</sup>	9999	1000-9998	Register a 4-digit password	550 NET mode operation command source selection	6.18.3
			(0-5) <sup>③</sup>	Displays password unlock error count. (Reading only) (Valid when Pr. 296 = "100" to "106")	551 PU mode operation command source selection	6.18.3
			(9999) <sup>③</sup>	No password lock		

The above parameters allow their settings to be changed during operation in any operation mode even if "0" (initial value) is set in Pr. 77 "Parameter write selection".

- ① This parameter can be set when Pr. 160 "User group read selection" = "0."
- ② If Pr. 296 = "9999" (no password lock), Pr. 297 can be set while Pr. 160 = "0."  
When the password lock is valid (Pr. 296 ≠ 9999), Pr. 297 can be set regardless of the Pr. 160 setting.
- ③ Pr. 297 can be written as "0 or 9999," but the Pr. 297 setting does not change.

**Parameter reading/writing restriction level (Pr. 296)**

Level of reading/writing restriction by PU/NET mode operation command can be selected by Pr. 296.

Pr. 296 Setting	PU Mode Operation Command <sup>③</sup>		NET Mode Operation Command <sup>④</sup>			
			RS-485 Communication		Communication Option	
	Read <sup>①</sup>	Write <sup>②</sup>	Read	Write <sup>②</sup>	Read	Write <sup>②</sup>
9999	✓	✓	✓	✓	✓	✓
0/100 <sup>⑥</sup>	—	—	—	—	—	—
1/101	✓	—	✓	—	✓	—
2/102	✓	—	✓	✓	✓	✓
3/103	✓	✓	✓	—	✓	—
4/104	—	—	—	—	✓	—
5/105	—	—	✓	✓	✓	✓
6/106	✓	✓	—	—	✓	—
99/199	Only parameters registered in the user group can be read/written. <sup>⑤</sup> (For the parameters not registered in the user group, same restriction level as "4, 104" applies.)					

**Tab.6-52:** Level of password lock and reading/writing restriction

- ① If the parameter reading is restricted by the Pr. 160 setting, those parameters are unavailable for reading even when "✓" is indicated.
- ② If the parameter writing is restricted by the Pr. 77 setting, those parameters are unavailable for writing even when "✓" is indicated.
- ③ Parameter access from unit where parameter is written in PU operation mode (initially set to operation panel, parameter unit) is restricted. (Refer to section 6.18.3 for PU mode operation command source selection.)
- ④ This restricts parameter access from the command source that can write a parameter under Network operation mode (initially RS-485 communication from PU connector or a communication option).
- ⑤ Read/write is enabled only in the simple mode parameters registered in the user group when Pr. 160 "User group read selection" = "9999". Pr. 296 and Pr. 297 are always read/write enabled whether registered to a user group or not.
- ⑥ If a communication option is installed, option fault (E.OPT) occurs, and inverter trips (refer to section 7.2).



**Password lock/unlock (Pr. 296, Pr. 297)**

## ● Lock

- ① Set parameter reading/writing restriction level (Pr. 296 ≠ 9999).

Pr. 296 Setting Value	Restriction of Password Unlock Error	Pr. 297 Display
0 to 6/99	No restriction	Always "0"
100 to 106/199	Restricted at fifth error	Displays error count (0 to 5)

During Pr. 296 setting of any of "100 to 106 or 199", if password unlock error has occurred 5 times, correct password will not unlock the restriction. All parameter clear can unlock the restriction. (In this case, parameter settings are cleared.)

- ② Write a four-digit number (1000 to 9998) in Pr. 297 as a password.  
(When Pr. 296 = "9999", Pr. 297 cannot be written.)  
When password is registered, parameter reading/writing is restricted with the restriction level set in Pr. 296 until unlocking.

**NOTES**

After registering a password, a read value of Pr. 297 is always one of "0" to "5".

When a password restricted parameter is read/written, "LOCd" is displayed.

Even if a password is registered, parameters which the inverter itself writes, such as inverter parts life, are overwritten as needed.

Even if a password is registered, Pr. 991 PU contrast adjustment can be read/written when a parameter unit (FR-PU04/FR-PU07) is connected.

- Unlock

There are two ways of unlocking the password.

- Enter a password in Pr. 297.  
Unlocked when a password is correct. If a password is incorrect, an error occurs.  
During Pr. 296 setting of any of "100 to 106 or 199", if password unlock error has occurred 5 times, correct password will not unlock the restriction. (During password lock)
- Perform all parameter clear.  
Password lock is unlocked. However, other parameter settings are cleared also.

**NOTES**

If the password has been forgotten, perform all parameter clear to unlock the parameter restriction. In that case, other parameters are also cleared.

Parameter all clear can not be performed during the operation.

Do not use the FR Configurator when parameter read is restricted (Pr. 296 setting is any of "0, 4, 5, 99, 100, 104, 105, 199"). FR Configurator may not function properly.

The password unlock method is different for operation panel/FR-PU07, RS-485 communication, and communication option.

	Operation Panel/ FR-PU07	RS-485 Communication	Communication Option
All parameter clear (data format H9966, H55AA)	✓	✓	✓
Parameter clear (data format H9696, H5A5A)	—	—	✓

✓: Password can be unlocked  
—: Password cannot be unlocked

**Parameter operation during password lock/unlock**

Parameter Operation		Unlocked		Password Registered	Locked
		Pr. 296 = 9999 Pr. 297 = 9999	Pr. 296 ≠ 9999 Pr. 297 = 9999	Pr. 296 ≠ 9999 Pr. 297 = 0-4 (Read Value)	Pr. 296 = 100-106/199 Pr. 297 = 5 (Read Value)
Pr. 296	Read	✓ <sup>①</sup>	✓	✓	✓
	Write	✓ <sup>①</sup>	✓ <sup>①</sup>	—	—
Pr. 297	Read	✓ <sup>①</sup>	✓	✓	✓
	Write	—	✓	✓	✓ <sup>③</sup>
Performing parameter clear		✓	✓	— <sup>④</sup>	— <sup>④</sup>
Performing parameter all clear		✓	✓	✓ <sup>②</sup>	✓ <sup>②</sup>
Performing parameter copy		✓	✓	—	—

**Tab. 6-53:** Parameter operation during password lock/unlock

- ① Reading/writing is unavailable when there is restriction to reading by the Pr. 160 setting. (Reading is available in NET mode regardless of Pr. 160 setting.)
- ② Unavailable during the operation.
- ③ Correct password will not unlock the restriction.
- ④ Parameter clear is available only from the communication option.

**NOTES**

When Pr. 296 setting is any of "4, 5, 104, 105" (password lock), the setting screen for PU JOG frequency is not displayed in the parameter unit (FR-PU04/FR-PU07).

During password lock, parameter copy of the parameter unit (FR-PU07) cannot be performed.

## 6.18 Selection of operation mode and operation location

Purpose	Parameters that must be set		Refer to Section
Operation mode selection	Operation mode selection	Pr. 79	6.18.1
Started in network operation mode	Operation mode at power on	Pr. 79, Pr. 340	6.18.2
Selection of control source	Selection of control source, speed command source and control location during communication operation	Pr. 338, Pr. 339, Pr. 550, Pr. 551	6.18.3

### 6.18.1 Operation mode selection (Pr. 79)

Used to select the operation mode of the inverter.

Mode can be changed as desired between operation using external command signals (external operation), operation from the operation panel and PU (FR-PU04/FR-PU07) (PU operation), combined operation of PU operation and external operation (external/PU combined operation), and network operation (when RS-485 communication or acommunication option is used).

Pr. No.	Name	Initial Value	Setting Range	Description	Parameters referred to	Refer to Section	
79	Operation mode selection	0	0	External/PU switchover mode External operation mode at power on	15 Jog frequency	6.6.2	
			1	Fixed to PU operation mode	4–6 Multi-speed operation	6.6.1	
			2	Fixed to external operation mode Operation can be performed by switching between external and NET operation mode	24–27 232–239 75	Reset selection/ disconnected PU detection/PU stop selection	6.17.1
			3	Combined operation mode 1 Running frequency: Operation panel, and PU (FR-PU04/FR-PU07) setting or external signal input [multi-speed setting, across terminals 4-5 (valid when AU signal turns on)] Start signal: External signal input (terminal STF, STR)	161	Frequency setting/ key lock operation selection	6.22.3
			4	External/PU combined operation mode 2 Running frequency: External signal input (terminal 2, 4, JOG, multi-speed setting, etc.) Start signal: Enter from the RUN key of the operation panel and the FWD/REV keys of the PU (FR-PU04/FR-PU07)	178–184	Input terminal function selection	6.10.1
			6	Switchover mode Switchover between PU operation, external operation, and NET operation is available while keeping the same operation status.	190–192	Output terminal function selection	6.10.5
			7	External operation mode (PU operation interlock) X12 signal ON: Operation mode can be shifted to PU operation mode (output stop during external operation) X12 signal OFF: Operation mode can not be switched to PU operation mode.	340	Communication start-up mode selection	6.18.2
				550	NET mode operation command source selection	6.18.3	

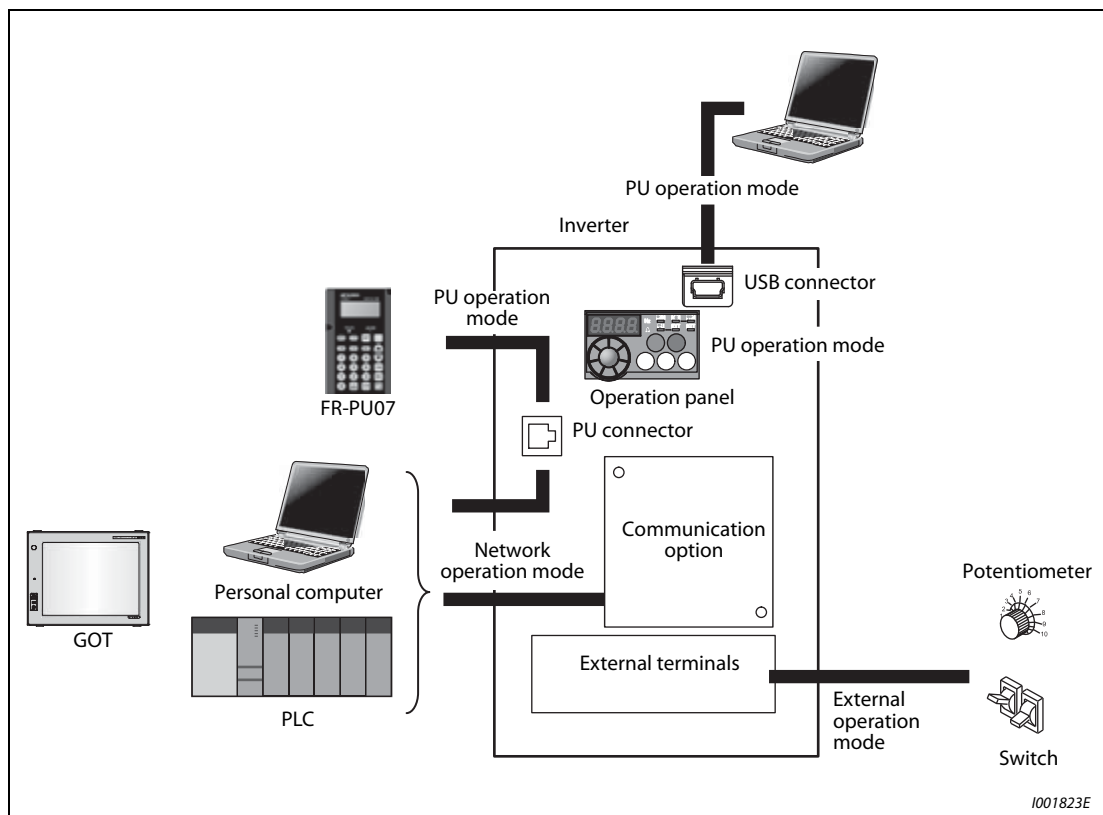
The above parameter can be changed during a stop in any operation mode.

### Operation mode basics

The operation mode is to specify the source of inputting the start command and set frequency of the inverter.

- Select the "external operation mode" when performing operation by basically using the control circuit terminals and providing potentiometers, switches, etc. externally.
- Select the "PU operation mode" when inputting the start command and frequency setting through communication from the operation panel, parameter unit (FR-PU04/FR-PU07) or PU connector.
- Select the "network operation mode (NET operation mode)" when the commands are applied from the RS-485 communication with the PU connector or the network to the communication option card.

The operation mode can be selected from the operation panel or with the communication instruction code.



**Fig. 6-102:** Operation modes of the inverter

#### NOTES

Either "3" or "4" may be set to select the PU/external combined mode.

The stop function (PU stop selection) activated by pressing the STOP/RESET key of the operation panel and parameter unit (FR-PU04/FR-PU07) is valid even in other than the PU operation mode in the initial setting. (Refer to Pr. 75 "Reset selection/disconnected PU detection/PU stop selection" (section 6.17.1).)

Switching the operation mode

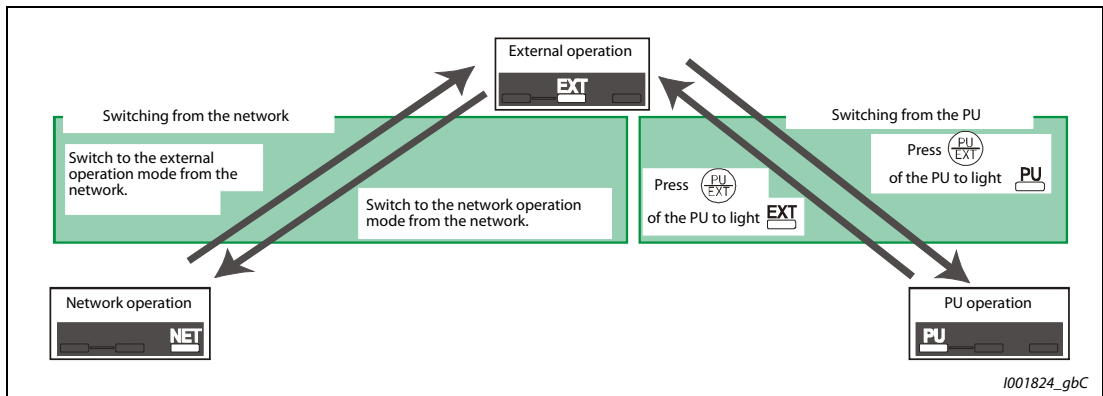


Fig. 6-103: Switching the operation mode when Pr. 340 = 0 or 1

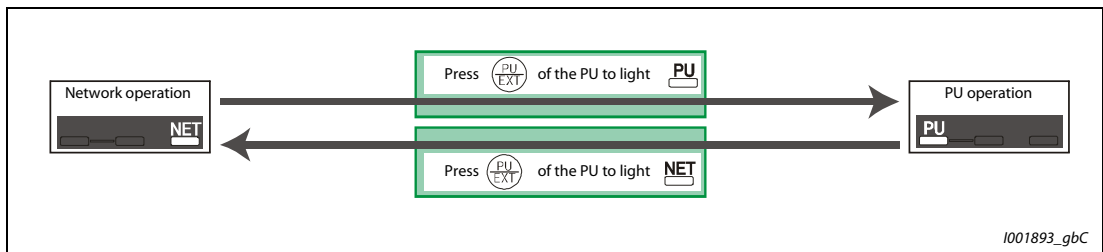


Fig. 6-104: Switching the operation mode when Pr. 340 = 10

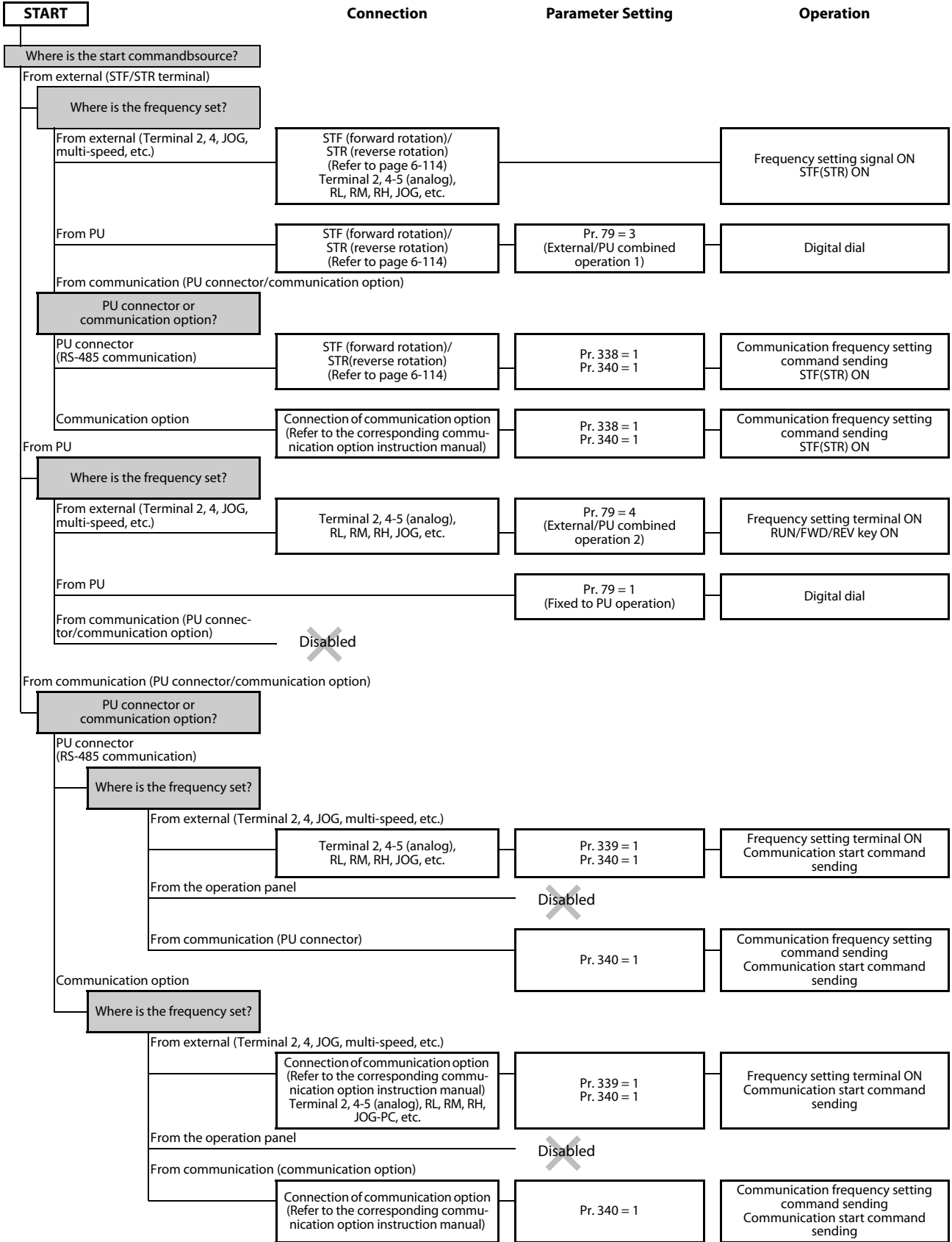
**NOTE**

For switching of operation by external terminals, refer to the following:

- PU operation external interlock signal (X12 signal) (refer to page 6-212)
- PU-external operation switch-over signal (X16) (refer to page 6-213)
- PU-NET operation switchover signal (X65) (refer to page 6-214)
- External-NET operation switchover signal (X66) (refer to page 6-214)
- Pr. 340 "Communication start-up mode selection" (refer to page 6-216)

**Operation mode selection flow**

In the following flowchart, select the basic parameter setting and terminal connection related to the operation mode:



**External operation mode (Pr. 79 = 0, 2)**

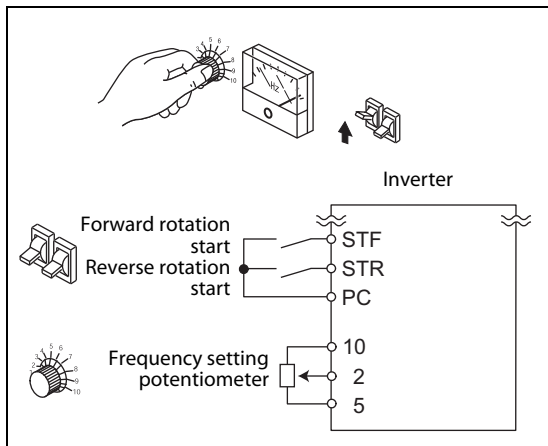
Select the external operation mode when performing operation by providing a frequency setting potentiometer, start switch, etc. externally and connecting them to the control circuit terminals of the inverter.

Basically, parameter changing is disabled in external operation mode. (Some parameters can be changed. Refer to Tab. 6-1 for the parameter list.)

When "0" or "2" is selected for Pr. 79, the inverter enters the external operation mode at power on. (When using the network operation mode, refer to section 6.18.2.)

If you don't need to change the parameter settings frequently you can set the unit to external mode permanently by setting Pr. 79 to "2". (If you need to change parameter settings frequently external mode should be activated by setting Pr. 79 to "0". Then the frequency inverter will switch to external mode automatically when the power is switched on but it can be switched to PU mode by pressing the PU/EXT key. You can then make the parameter changes in PU mode and switch back to external mode again afterwards by pressing PU/EXT again.)

The STF and STR signal are used as a start command, and the terminal 2, 4, multi-speed setting, JOG signal, etc. are used as frequency setting.



**Fig. 6-105:**  
External operation mode

I002132E

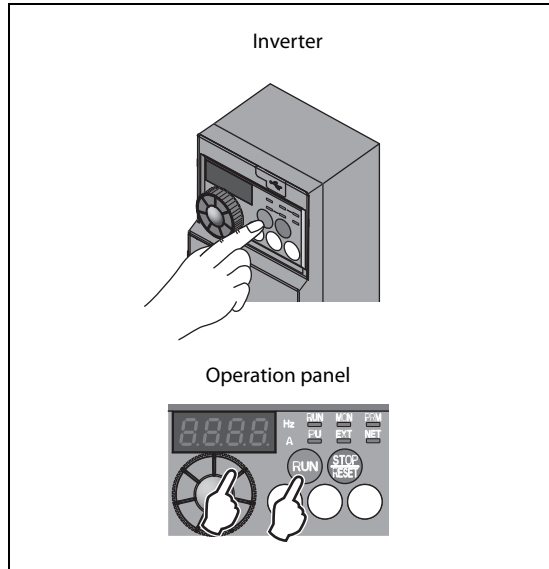


**PU operation mode (Pr. 79 = 1)**

Select the PU operation mode when applying start and speed command by only the key operation of the operation panel (FR-PU04/FR-PU07). Also select the PU operation mode when making communication using the PU connector.

When "1" is selected for Pr. 79, the inverter enters the PU operation mode at power on. You cannot change to the other operation mode.

The setting dial of the operation panel can be used for setting like a volume. (Pr. 161 "Frequency setting/key lock operation selection", refer to section 6.22.3).



**Fig. 6-106:**  
*PU operation mode*

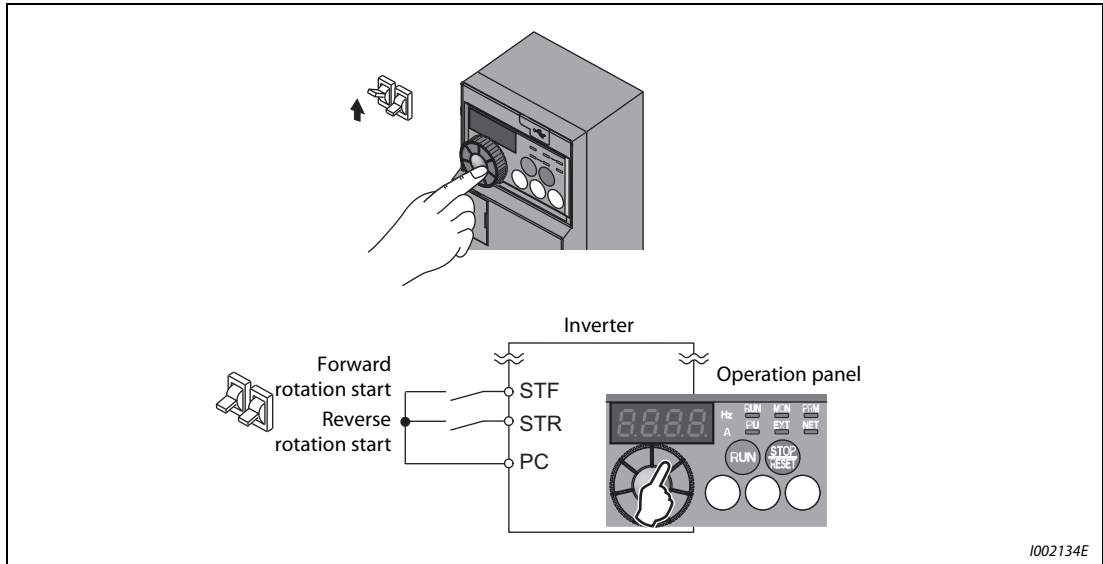
I001825E

**PU/external combined operation mode 1 (Pr. 79 = 3)**

Select the PU/external combined operation mode 1 when applying frequency command from the operation panel or parameter unit (FR-PU04/FR-PU07) and inputting the start command with the external start switch.

Select "3" for Pr. 79. You cannot change to the other operation mode by using the PU/EXT-key.

When a frequency is input from the external signal by multi-speed setting, it has a higher priority than the frequency setting of the PU. When AU is on, the terminal 4 is used.

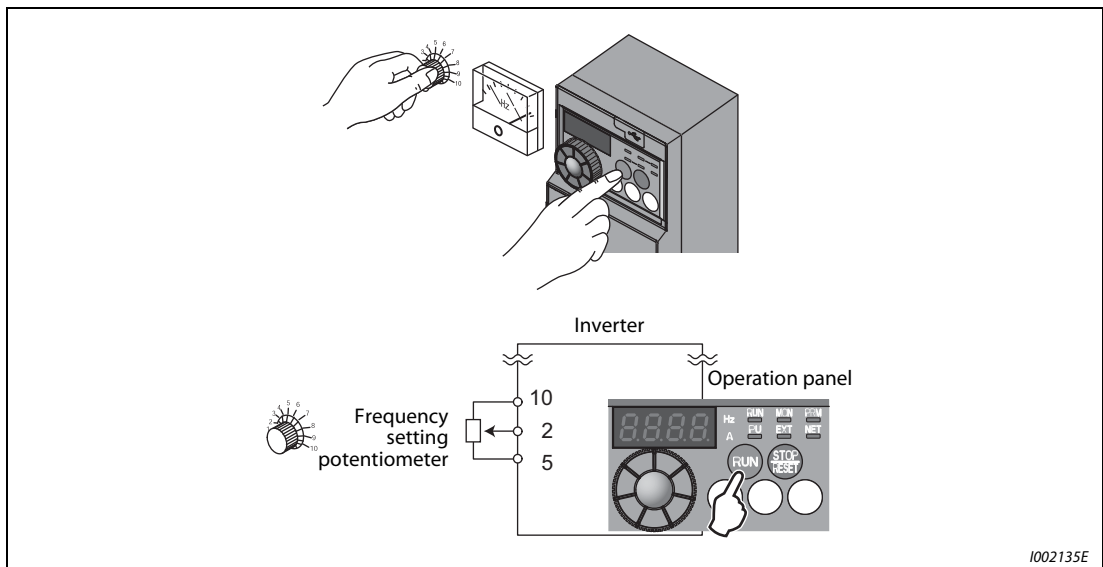


**Fig. 6-107:** Combined operation mode 1

**PU/external combined operation mode 2 (Pr. 79 = 4)**

Select the PU/external combined operation mode 2 when applying frequency command from the external potentiometer, multi-speed or JOG signal and inputting the start command by key operation of the operation panel (FR-PU04/FR-PU07).

Select "4" for Pr. 79. You cannot change to the other operation mode by using the PU/EXT-key.



**Fig. 6-108:** Combined operation mode 2

**Switch-over mode (Pr. 79 = 6)**

While continuing operation, you can switch between the PU operation, external operation and network operation (when RS-485 communication with the PU connector or communication option is used).

Operation Mode Switching	Switching Operation/Operating Status
External operation ⇒ PU operation	Select the PU operation mode with the operation panel or parameter unit. Rotation direction is the same as that of external operation. The frequency set with the potentiometer (frequency command) or like is used unchanged. (Note that the setting will disappear when power is switched off or the inverter is reset.)
External operation ⇒ NET operation	Send the mode change command to the network operation mode through communication. Rotation direction is the same as that of external operation. The value set with the setting potentiometer (frequency command) or like is used unchanged. (Note that the setting will disappear when power is switched off or the inverter is reset.)
PU operation ⇒ external operation	Press the external operation key of the parameter unit. The rotation direction is determined by the input signal of the external operation. The set frequency is determined by the external frequency command signal.
PU operation ⇒ NET operation	Send the mode change command to the network operation mode through communication. Rotation direction and set frequency are the same as those of PU operation.
NET operation ⇒ external operation	Command to change to external mode is transmitted by communication. Rotation direction is determined by the external operation input signal. The set frequency is determined by the external frequency command signal.
NET operation ⇒ PU operation	Select the PU operation mode with the operation panel or parameter unit. The rotation direction and frequency command in the network operation mode are used unchanged.

**Tab. 6-54:** Operation states in the switch-over mode

**WARNING:**

**When using switch-over mode please note that in some switch-over operations the rotation direction command and the frequency setting value are "transferred" to the "new" operating mode (refer to Tab. 6-54 for details). When this happens the drive will run in the new operating mode even though it has not (yet) received any control commands.**

**It is extremely important to take this into account and take the necessary steps to ensure that performing these switch-over operations cannot cause hazardous conditions.**

**PU operation interlock (Pr. 79 = 7)**

The PU operation interlock function is designed to forcibly change the operation mode to external operation mode when the PU operation interlock signal (X12) input turns off.

This function prevents the inverter from being inoperative by the external command if the mode is accidentally left unswitched from the PU operation mode.

Set "7" (PU operation interlock) in Pr. 79. For the terminal used for X12 signal (PU operation interlock signal) input, set "12" to any of Pr. 178 to Pr. 184 "Input terminal function selection" to assign the function. (Refer to section 6.10.1 for Pr. 178 to Pr. 184.) When the X12 signal has not been assigned, the function of the MRS signal switches from MRS (output stop) to the PU operation interlock signal.

X12 (MRS) Signal	Function/Operation	
	Operation Mode	Parameter Write
ON	Operation mode (external, PU, NET) switching enabled Output stop during external operation	Parameter write enabled (depending on Pr. 77 "Parameter write selection" and each parameter write condition (Refer to Tab. 6-1 for the parameter list.))
OFF	Forcibly switched to external operation mode External operation allowed. Switching to PU or NET operation mode disabled	Parameter write disabled with exception of Pr. 79

**Tab. 6-55:** Function of the X12 signal

**Function/operation changed by switching on-off the X12 (MRS) signal**

Operation Condition		X12 (MRS) Signal	Operation Mode	Operating Status	Switching to PU, NET Operation Mode
Operation Mode	Status				
PU/NET	During stop	ON → OFF ①	External ②	If external operation frequency setting and start signal are entered, operation is performed in that status.	Disallowed
	Running	ON → OFF ①			Disallowed
External	During stop	OFF → ON	External ②	Stop	Enabled
		ON → OFF			Disallowed
	Running	OFF → ON		During operation → output stop	Disallowed
		ON → OFF		Output stop → During operation	Disallowed

**Tab. 6-56:** Switching the X12 (MRS) signal

- ① The operation mode switches to external operation mode independently of whether the start signal (STF, STR) is on or off. Therefore, the motor is run in external operation mode when the X12 (MRS) signal is turned off with either of STF and STR on.
- ② At alarm occurrence, pressing the STOP/RESET key of the operation panel resets the inverter.

**NOTES**

If the X12 (MRS) signal is on, the operation mode cannot be switched to PU operation mode when the start signal (STF, STR) is on.

When the MRS signal is used as the PU interlock signal, the MRS signal serves as the normal MRS function (output stop) by turning on the MRS signal and then changing the Pr. 79 value to other than "7" in the PU operation mode. Also as soon as "7" is set in Pr. 79, the signal acts as the PU interlock signal.

When the MRS signal is used as the PU operation interlock signal, the logic of the signal is as set in Pr. 17. When Pr. 17 = 2, read ON as OFF and OFF as ON in the above explanation.

Changing the terminal assignment using Pr. 178 to Pr. 184 "Input terminal function selection" may affect the other functions. Please make setting after confirming the function of each terminal.

### Switching of operation mode by external terminal (X16)

When external operation and operation from the operation panel are used together, use of the PU-external operation switching signal (X16) allows switching between the PU operation mode and external operation mode during a stop (during a motor stop, start command off).

When Pr. 79 = any of "0, 6, 7", the operation mode can be switched between the PU operation mode and external operation mode. (Pr. 79 = "6" switch-over mode can be changed during operation)

For the terminal used for X16 signal input, set "16" to any of Pr. 178 to Pr. 184 "Input terminal function selection" to assign the function.

Pr. 79	X16 Signal State Operation Mode		Remarks
	ON (external)	OFF (PU)	
0 (initial value)	External operation mode	PU operation mode	Can be switched to external, PU or NET operation mode
1	PU operation mode		Fixed to PU operation mode
2	External operation mode		Fixed to external operation mode (Can be switched to NET operation mode.)
3 / 4	External/PU combined operation mode		External/PU combined mode fixed
6	External operation mode	PU operation mode	Can be switched to external, PU or NET operation mode with operation continued
7	X12 (MRS) ON	PU operation mode	Can be switched to external, PU or NET operation mode. (Output stop in external operation mode.)
	X12 (MRS) OFF	Fixed to external operation mode (Forcibly switched to external operation mode.)	

**Tab. 6-57:** Operation mode switching by signal X16

#### NOTES

The operation mode status changes depending on the setting of Pr. 340 "Communication start-up mode selection" and the ON/OFF states of the X65 and X66 signals.  
(For details, refer to page 6-214).

The priorities of Pr. 79, Pr. 340 and signals are:  
Pr. 79 > X12 > X66 > X65 > X16 > Pr. 340

Changing the terminal assignment using Pr. 178 to Pr. 184 "Input terminal function selection" may affect the other functions. Please make setting after confirming the function of each terminal.

**Switching of operation mode by external terminal (X65, X66)**

When Pr. 79 = any of "0, 2, 6", the operation mode switching signals (X65, X66) can be used to change the PU or external operation mode to network operation mode during a stop (during a motor stop or start command off). (Pr. 79 = "6" switch-over mode can be changed during operation)

When switching between the network operation mode and PU operation mode:

- ① Set Pr. 79 to "0" (initial value) or "6".
- ② Set "10" in Pr. 340 "Communication start-up mode selection".
- ③ Set "65" to any of Pr. 178 to Pr. 184 to assign the PU-NET operation switching signal (X65) to the external terminal.
- ④ The operation mode changes to PU operation mode when the X65 signal turns on, or to network operation mode when the X65 signal turns off.

Pr. 340	Pr. 79	X65 Signal State		Remarks	
		ON (PU)	OFF (NET)		
10	0 (initial setting)	PU operation mode ①	NET operation mode ②		
	1	PU operation mode		Fixed to PU operation mode	
	2	NET operation mode		Fixed to NET operation mode	
	3 / 4	External/PU combined operation mode		External/PU combined mode fixed	
	6	PU operation mode ①	NET operation mode ②	Operation mode can be switched with operation continued	
	7	X12 (MRS) ON	Switching among the External and PU operation mode is enabled ②		Output stop in external operation mode
		X12 (MRS) OFF	External operation mode		Forcibly switched to external operation mode

**Tab. 6-58:** Operation mode switching by signal X65

- ① NET operation mode when the X66 signal is on.
- ② PU operation mode is selected when the X16 signal is off. PU operation mode also when Pr. 550 "NET mode operation command source selection" = 0 (communication option control source) and the communication option is not fitted.  
External operation mode when the X16 signal is on.

**When switching between the network operation mode and external operation mode:**

- ① Set Pr. 79 to "0" (initial value), "2", "6" or "7". (At the Pr. 79 setting of "7", the operation mode can be switched when the X12 (MRS) signal turns on.)
- ② Set "0 (initial value) or 1" in Pr. 340 "Communication startup mode selection".
- ③ Set "66" to any of Pr. 178 to Pr. 184 to assign the external-NET operation switching signal (X66) to the external terminal.
- ④ The operation mode changes to network operation mode when the X66 signal turns on, or to external operation mode when the X66 signal turns off.

Pr. 340	Pr. 79	X66-Signal		Remarks	
		ON (PU)	OFF (NET)		
0 (initial value)/ 1	0 (initial value)	NET operation mode ①	External operation mode ②		
	1	PU operation mode		Fixed to PU operation mode	
	2	NET operation mode ①	External operation mode	Cannot be switched to PU operation mode	
	3 / 4	External/PU combined operation mode		External/PU combined mode fixed	
	6	NET operation mode ①	External operation mode ②	Operation mode can be switched with operation continued	
	7	X12 (MRS) ON	NET operation mode ①	External operation mode ②	Output stop in external operation mode
		X12 (MRS) OFF	External operation mode		Forcibly switched to external operation mode

**Tab. 6-59:** Operation mode switching by signal X66

- ① PU operation mode also when Pr. 550 "NET mode operation command source selection" = 1 (communication option control source) and the communication option is not fitted.
- ② PU operation mode when the X16 signal is off. When the X65 signal has been assigned, the operation mode changes with the ON/OFF state of the X65 signal.

**NOTES**

The priorities of Pr. 79, Pr. 340 and signals are:  
Pr. 79 > X12 > X66 > X65 > X16 > Pr. 340

Changing the terminal assignment using Pr. 178 to Pr. 184 "Input terminal function selection" may affect the other functions. Please make setting after confirming the function of each terminal.

## 6.18.2 Operation mode at power on (Pr. 79, Pr. 340)

When power is switched on or when power comes back on after instantaneous power failure, the inverter can be started up in network operation mode.

After the inverter has started up in the network operation mode, parameter write and operation can be performed from a program.

Set this mode for communication operation using the inverter RS-485 terminals or communication option.

Pr. No.	Name	Initial Value	Setting Range	Description
<b>79</b>	Operation mode selection	0	0-4/6/7	Select the operation mode. (Refer to page 6-207)
<b>340</b>	Communication start-up mode selection <sup>①</sup>	0	0	As set in Pr. 79.
			1	Started in network operation mode.
			10	Started in network operation mode. Operation mode can be changed between the PU operation mode and network operation mode from the operation panel.

Parameters referred to	Refer to Section
79 Operation mode selection	6.18.1

The above parameters can be changed during a stop in any operation mode.

- ① The above parameter can be set when Pr. 160 "User group read selection" = 0. However, the parameters can be set whenever the communication option is connected. (Refer to section 6.17.4.)



**Specify operation mode at power on (Pr. 340)**

Depending on the Pr. 79 and Pr. 340 settings, the operation mode at power on (reset) changes as described below:

Pr. 340	Pr. 79	Operation Mode at Power on, Power Restoration, Reset	Operation Mode Switching
0 (initial value)	0 (initial value)	External operation mode	Can be switched to external, PU or NET operation mode <sup>①</sup>
	1	PU operation mode	Fixed to PU operation mode
	2	External operation moderieb	Can be switched to external or NET operation mode Switching to PU operation mode disabled
	3 / 4	External/PU combined operation mode	Operation mode switching disabled
	6	External operation mode	Can be switched to external, PU or NET operation mode with operation continued
	7	X12 (MRS) signal ON: External operation mode	Can be switched to external, PU or NET operation mode <sup>①</sup>
X12 (MRS) signal OFF: External operation mode		Fixed to external operation mode (Forcibly switched to external operation mode.)	
1	0	NET operation mode	Same as when Pr. 340 = 0
	1	PU operation mode	
	2	NET operation mode	
	3 / 4	External/PU combined operation mode	
	6	NET operation mode	
	7	X12 (MRS) signal ON: NET operation mode	
X12 (MRS) signal OFF: External operation mode			
10	0	NET operation mode	Can be switched to PU or NET operation mode <sup>②</sup>
	1	PU operation mode	Same as when Pr. 340 = 0
	2	NET operation mode	Fixed to NET operation mode
	3 / 4	External/PU combined operation mode	Same as when Pr. 340 = 0
	6	NET operation mode	Can be switched to PU or NET operation mode with operation continued <sup>②</sup>
	7	External operation mode	Same as when Pr. 340 = 0

**Tab. 6-60:** Operation mode of the inverter at power on

- <sup>①</sup> The operation mode cannot be switched directly between the PU operation mode and network operation mode.
- <sup>②</sup> Operation mode can be changed between the PU operation mode and network operation mode with th PU/EXT key of the operation panel and X65 signal.

### 6.18.3 Start command source and frequency command source during communication operation (Pr. 338, Pr. 339, Pr. 550, Pr. 551)

When the RS-485 communication with the PU connector or communication option is used, the external start command and frequency command can be made valid. Command source in the PU operation mode can be selected.

From the communication device, parameter unit, etc. which have command source, parameter write or start command can be executed. Parameter read or monitoring can be executed in any operation mode.

Pr. No.	Name	Initial Value	Setting Range	Description
338	Communication operation command source	0	0	Start command source communication
			1	Start command source external
339	Communication speed command source	0	0	Frequency command source communication
			1	Frequency command source external (Frequency command from communication is invalid, frequency command from terminal 2 is valid)
			2	Frequency command source external (Frequency command from communication is valid, frequency command from terminal 2 is invalid)
550	NET mode operation command source selection <sup>①</sup>	9999	0	The communication option is the command source when NET operation mode.
			2	PU connector is the command source when NET operation mode.
			9999	Automatic communication option recognition Normally, PU connector is the command source. When a communication option is mounted, the communication option is the command source.
551	PU mode operation command source selection <sup>①</sup>	2	2	PU connector is the command source when PU operation mode.
			3	USB connector is the command source when PU operation mode.
			4	Operation panel is the command source when PU operation mode.
			9999	USB automatic recognition Normally, operation panel is the command source. When the parameter unit is connected to the PU connector, PU is the command source. When USB is connected, USB connector is the command source.

Parameters referred to	Refer to Section
59 Remote function selection	6.6.3
79 Operation mode selection	6.18.1
270 Stop-on contact control selection	6.9.4

The above parameters can be set when Pr. 160 "User group read selection" = 0. However, the parameters can be set whenever the communication option is connected. (Refer to section 6.17.4.)

<sup>①</sup> This parameter can be changed during a stop in any operation mode.

**Select the command source of the network operation mode (Pr. 550)**

Either the RS-485 communication with the PU connector or communication option can be specified as the command source in the network operation mode.

For example, set Pr. 550 to "2" when executing parameter write, start command or frequency command from the unit RS-485 terminals in the network operation mode independently of whether the communication option is connected or not.

**NOTE**

Since Pr. 550 = "9999" (automatic communication option recognition) in the initial setting, parameter write, start command and frequency command cannot be executed by communication using the unit RS-485 terminals when the communication option is fitted.

**Selects the command source of the PU operation mode (Pr. 551)**

Any of the operation panel, PU connector, or USB connector can be specified as the command source in the PU operation mode.

In the PU operation mode, set Pr. 551 to "2" when executing parameter write, start command or frequency command during the RS-485 communication with PU communication.

**NOTES**

When performing the RS-485 communication with the PU connector when Pr. 551 = 9999, PU mode command source does not automatically change to the PU connector. Change to the network operation mode to change the command source.

When "2" (NET mode PU connector) is set in Pr. 550 and "2" (PU mode PU connector) is set in Pr. 551, PU operation mode has priority. When the communication option is not fitted, therefore, the operation mode cannot be switched to the network operation mode.

Changed setting value is made valid when powering on or resetting the inverter.

The Modbus-RTU protocol cannot be used in the PU operation mode. Select network operation mode (NET mode command source).

All of the operation mode indicator (  ) of the operation panel turns OFF when command source is not operation panel.

Pr. 550	Pr. 551	Command Source					Remarks
		Operation Panel	USB Connector	PU connector		Communication Option	
				Parameter Unit	RS-485 Communication		
0	2	—	—	PU	PU <sup>①</sup>	NET <sup>②</sup>	
	3	—	PU	—	—	NET <sup>②</sup>	
	4	PU	—	—	—	NET <sup>②</sup>	
	9999 (initial value)	PU <sup>③</sup>	PU <sup>③</sup>	PU <sup>③</sup>	—	NET <sup>②</sup>	
2	2	—	—	PU	PU <sup>①</sup>	—	Switching to NET operation mode disabled
	3	—	PU	—	NET	—	
	4	PU	—	—	NET	—	
	9999 (initial value)	PU <sup>③</sup>	PU <sup>③</sup>	PU <sup>③</sup>	NET	—	
9999 (initial value)	2	—	—	PU	PU <sup>①</sup>	NET <sup>②</sup>	
				—	—	NET <sup>②</sup>	Communication option fitted
	3	—	PU	—	—	NET <sup>②</sup>	Communication option not fitted
				—	NET	—	Communication option fitted
	4	PU	—	—	—	NET <sup>②</sup>	Communication option not fitted
				—	NET	—	Communication option fitted
9999 (initial value)	PU <sup>③</sup>	PU <sup>③</sup>	PU <sup>③</sup>	—	NET <sup>②</sup>	Communication option not fitted	
			—	NET	—	Communication option fitted	

**Tab. 6-61:** Parameter 550 and 551 settings

- ① The Modbus-RTU protocol cannot be used in the PU operation mode. When using the Modbus-RTU protocol, set Pr. 550 to "2".
- ② When the communication option is not fitted, the operation mode cannot be switched to the network operation mode.
- ③ When Pr. 551 = "9999", the priorities of the PU control source is USB connector > parameter unit (FR-PU04/FR-PU07) > operation panel.

## Controllability through communication

Operation Location	Condition (Pr. 551)	Command	Operation Mode					
			PU Operation	External Operation	External/PU Combined Operation Mode 1 (Pr. 79 = 3)	External/PU Combined Operation Mode 2 (Pr. 79 = 4)	NET Operation (When Using PU Connector) ⑥	NET Operation (When Communication Option is Used) ⑦
Control by RS-485 communication from PU connector	2 (PU connector)	Run command (start)	✓	—	—	✓	—	
		Run command (stop)	✓	◇ <sup>③</sup>	◇ <sup>③</sup>	✓	◇ <sup>③</sup>	
		Running frequency setting	✓	—	✓	—	—	
		Parameter write	✓ <sup>④</sup>	— <sup>⑤</sup>	✓ <sup>④</sup>	✓ <sup>④</sup>	— <sup>⑤</sup>	
		Inverter reset	✓	✓	✓	✓	✓	
	Other than the above	Run command (start)	—	—	—	—	✓ <sup>①</sup>	—
		Run command (stop)	—	—	—	—	✓ <sup>①</sup>	—
		Running frequency setting	—	—	—	—	✓ <sup>①</sup>	—
		Parameter write	— <sup>⑤</sup>	— <sup>⑤</sup>	— <sup>⑤</sup>	— <sup>⑤</sup>	✓ <sup>④</sup>	— <sup>⑤</sup>
		Inverter reset	—	—	—	—	✓ <sup>②</sup>	—
Operation from the USB connector	3 (USB connector) 9999 (automatic recognition)	Run command (start, stop)	✓	—	—	✓	—	
		Running frequency setting	✓	—	✓	—	—	
		Parameter write	✓ <sup>④</sup>	— <sup>⑤</sup>	— <sup>⑤</sup>	— <sup>⑤</sup>	— <sup>⑤</sup>	
		Inverter reset	✓	✓	✓	✓	✓	
	Other than the above	Run command (start, stop)	—	—	—	—	—	
		Running frequency setting	—	—	—	—	—	
		Parameter write	— <sup>⑤</sup>	— <sup>⑤</sup>	— <sup>⑤</sup>	— <sup>⑤</sup>	— <sup>⑤</sup>	
		Inverter reset	✓	✓	✓	✓	✓ <sup>②</sup>	—

Tab.6-62: Functions in the single operation modes (1)

Operation Location	Condition (Pr. 551)	Command	Operation Mode					NET Operation (When Using PU Connector) ⑥	NET Operation (When Communication Option is Used) ⑦
			PU Operation	External Operation	External/PU Combined Operation Mode 1 (Pr. 79 = 3)	External/PU Combined Operation Mode 2 (Pr. 79 = 4)			
Control by communication from communication option	—	Run command (start, stop)	—	—	—	—	—	✓ ①	
		Running frequency setting	—	—	—	—	—	✓ ①	
		Parameter write	— ⑤	— ⑤	— ⑤	— ⑤	— ⑤	✓ ④	
		Inverter reset	—	—	—	—	—	✓ ②	
Control circuit external terminals	—	Inverter reset	✓	✓	✓	✓	✓		
		Run command (start, stop)	—	✓	✓	—	— ①		
		Running frequency setting	—	✓	—	✓	— ①		

**Tab. 6-62:** Functions in the single operation modes (2)

✓: enabled

—: not enabled

◇: some are enabled

- ① As set in Pr. 338 "Communication operation command source" and Pr. 339 "Communication speed command source".
- ② At occurrence of RS-485 communication error, the inverter cannot be reset from the computer.
- ③ Enabled only when stopped by the PU. At a PU stop, "PS" is displayed on the operation panel. As set in Pr. 75 "Reset selection/disconnected PU detection/PU stop selection". (Refer to section 6.17.1.)
- ④ Some parameters may be write-disabled according to the Pr. 77 "Parameter write selection" setting and operating status. (Refer to section 6.17.2).
- ⑤ Some parameters are write-enabled independently of the operation mode and command source presence/absence. When Pr. 77 = 2, write is enabled. (Refer to Tab. 6-1 for the parameter list.) Parameter clear is disabled.
- ⑥ When Pr. 550 "NET mode operation command source selection" = 2 (PU connector valid) or Pr. 550 "NET mode operation command source selection" = 9999 and the communication option is not fitted.
- ⑦ When Pr. 550 "NET mode operation command source selection" = 0 (communication option valid) or Pr. 550 "NET mode operation command source selection" = 9999 and the communication option is fitted.

## Operation at alarm occurrence

Alarm Definition	Condition (Pr. 551)	Operation Mode					
		PU Operation	External Operation	External/PU Combined Operation Mode 1 (Pr. 79 = 3)	External/PU Combined Operation Mode 2 (Pr. 79 = 4)	NET Operation (When Using PU Connector) ⑤	NET Operation (When Communication Option is Used) ⑥
Inverter fault	—	Stop					
PU disconnection of the PU connector	2 (PU connector) 9999 (automatic recognition)	Stop/continued ①④					
	Other than the above	Stop/continued ①					
RS-485 communication error of the PU connector	2 (PU connector)	Stop/continued ②	Continued	Stop/continued ②	—	Continued	
	Other than the above	Continued			Stop/continued ③	Continued	
Communication error of USB connector	3 (USB connector) 9999 (automatic recognition)	Stop/continued ②	Continued	Stop/continued ②	Continued		
	Other than the above	Continued					
Communication alarm of communication option	—	Continued			Stop/continued ③	Continued	

**Tab.6-63:** Operation at alarm occurrence

- ① Can be selected using Pr. 75 "Reset selection/disconnected PU detection/PU stop selection"
- ② Can be selected using Pr. 122 "PU communication check time interval" or Pr. 548 "USB communication check time interval".
- ③ As controlled by the communication option.
- ④ In the PU JOG operation mode, operation is always stopped when the PU is disconnected. Whether fault (E.PUE) occurrence is allowed or not is as set in Pr. 75 "Reset selection/disconnected PU detection/PU stop selection".
- ⑤ When Pr. 550 "NET mode operation command source selection" = "2" (PU connector valid) or Pr. 550 "NET mode operation command source selection" = "9999" and the communication option is not fitted.
- ⑥ When Pr. 550 "NET mode operation command source selection" = "0" (communication option valid) or Pr. 550 "NET mode operation command source selection" = "9999" and the communication option is fitted.

**Selection of control source in network operation mode (Pr. 338, Pr. 339)**

As control sources, there are the operation command source that controls the signals related to the inverter start command and function selection and the speed command source that controls the signals related to frequency setting.

In network operation mode, the commands from the external terminals and communication (PU connector or communication option) are as listed below.

Operation Location Selection		Communication Operation Command Source (Pr. 338)		0: NET			1: External			Remarks		
		Communication Speed Command Source (Pr. 339)		0: NET	1: External	2: External	0: NET	1: External	2: External			
Fixed function (Terminal-equivalent function)		Running frequency from communication		NET	—	NET	NET	—	NET			
		Terminal 2		—	External	—	—	External	—			
		Terminal 4		—	External		—	External				
Selective function	Pr. 178 to Pr. 184 setting	0	RL	Low speed operation command/remote setting clear/stop-on contact selection 0		NET	External		NET	External		Pr. 59 = 0 (multi-speeds) Pr. 59 = 1, 2 (remote) Pr. 270 = 1 (stop-on-contact 0)
		1	RM	Middle-speed operation command/remote setting deceleration		NET	External		NET	External		
		2	RH	High speed operation command/remote setting acceleration		NET	External		NET	External		
		3	RT	Second function selection/stop-on contact selection 1		NET			External			Pr. 270 = 1 (stop-on-contact 1)
		4	AU	Terminal 4 input selection		—	Combined		—	Combined		
		5	JOG	Jog operation selection		—			External			
		7	OH	External thermal relay input		External						
		8	REX	Fifteen speed selection		NET	External		NET	External		Pr. 59 = 0 (multi-speeds)
		10	X10	Inverter operation enable signal		External						
		12	X12	PU operation external interlock		External						
		14	X14	PID control valid terminal		NET	External		NET	External		
		15	BRI	Brake opening completion signal		NET			NET			
16	X16	PU-external operation switchover		External								
18	X18	V/F switching		NET			External					

**Tab.6-64:** Writing operation and speed commands (1)



Operation Location Selection		Communication Operation Command Source (Pr. 338)		0: NET			1: External			Remarks	
		Communication Speed Command Source (Pr. 339)		0: NET	1: External	2: External	0: NET	1: External	2: External		
Selective function	Pr. 178 to Pr. 184 setting	24	MRS	Output stop	Combined			External			Pr. 79 ≠ 7
				PU operation interlock	External						Pr. 79 = 7 (When X12 signal is not assigned)
		25	STOP	Start self-holding selection	—			External			
		60	STF	Forward rotation command	NET			External			
		61	STR	Reverse rotation command	NET			External			
		62	RES	Reset	External						
		65	X65	PU-NET operation switchover	External						
		66	X66	External-NET operation switchover	External						
67	X67	Command source switchover	External								

**Tab. 6-64:** Writing operation and speed commands (2)

Explanation of table:

- External: Operation is valid only from external terminal signal.  
NET: Control only from communication is valid.  
Combined: Operation is valid from either of external terminal and communication.  
—: Operation is invalid from either of external terminal and communication.

#### NOTES

The control source of communication is as set in Pr. 550 and Pr. 551.

The Pr. 338 and Pr. 339 settings can be changed while the inverter is running when Pr. 77 = "2". Note that the setting change is reflected after the inverter has stopped. Until the inverter has stopped, communication operation command source and communication speed command source before the setting change are valid.

**Switching of command source by external terminal (X67)**

In the network operation mode, the command source switching signal (X67) can be used to switch the start command source and speed command source.

Set "67" to any of Pr. 178 to Pr. 184 "Input terminal function selection" to assign the X67 signal to the control terminal.

When the X67 signal is off, the start command source and speed command source are control terminal.

X67 Signal State	Operation Command Source	Speed Command Source
No signal assignment	According to Pr. 338	According to Pr. 339
ON		
OFF	Operation is valid only from external terminal signal.	

**Tab. 6-65:** Switching of command source by the signal X67

**NOTES**

The ON/OFF state of the X67 signal is reflected only during a stop. It is reflected after a stop when the terminal is switched during operation.

When the X67 signal is off, a reset via communication is disabled.

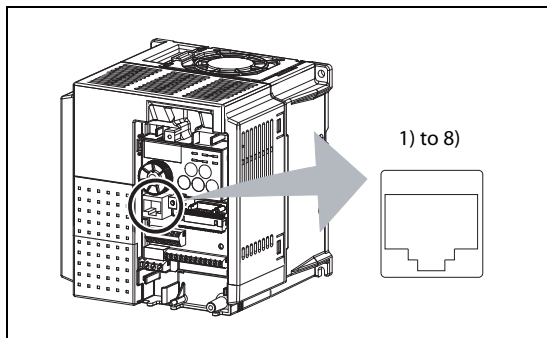
Changing the terminal assignment using Pr. 178 to Pr. 184 "Input terminal function selection" may affect the other functions. Please make setting after confirming the function of each terminal.

## 6.19 Communication operation and setting

Purpose	Parameters that must be set		Refer to Section
Communication operation from PU connector	Initial setting of computer link communication (PU connector)	Pr. 117–Pr. 124	6.19.2
	Modbus-RTU communication specification	Pr. 117, Pr. 118, Pr. 120, Pr. 122, Pr. 343, Pr. 502, Pr. 549	6.19.5
Restrictions on parameter write through communication	Communication E <sup>2</sup> PROM write selection	Pr. 342	6.19.3
Communication using USB (FR Configurator)	USB communication	Pr. 547, Pr. 548	6.19.6

### 6.19.1 PU connector

Using the PU connector, you can perform communication operation from a personal computer etc. When the PU connector is connected with a personal, FA or other computer by a communication cable, a user program can run and monitor the inverter or read and write to parameters.



**Fig. 6-109:**  
PU connector pin-outs

I001935E

Pin Number	Name	Description
1)	SG	Earth (Ground) (connected to terminal 5)
2)	—	Operation panel power supply
3)	RDA	Inverter receive+
4)	SDB	Inverter send–
5)	SDA	Inverter send+
6)	RDB	Inverter receive–
7)	SG	Earth (Ground) (connected to terminal 5)
8)	—	Operation panel power supply

**Tab. 6-66:** PU connector (terminal description)

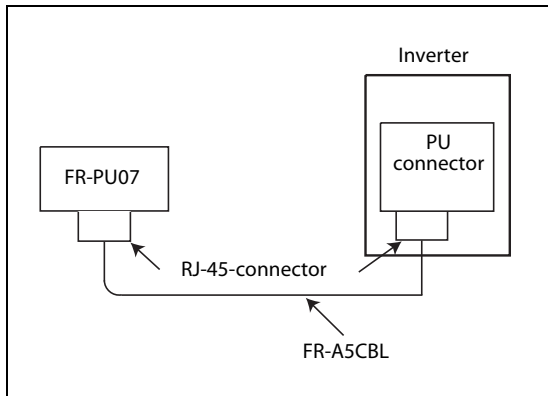
#### NOTES

Pins No. 2) and 8) provide power to the operation panel or parameter unit. Do not use these pins for RS-485 communication.

Do not connect the PU connector to the computer's LAN board, FAX modem socket or telephone modular connector. The product could be damaged due to differences in electrical specifications.

**PU connector communication system configuration and wiring**

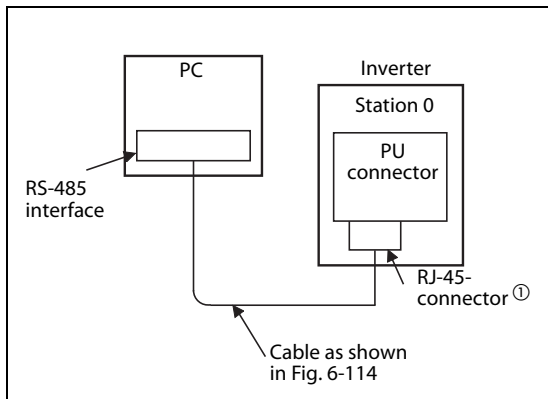
- Connecting the PU to the inverter



**Fig. 6-110:**  
Connecting the PU to the PU connector

I001829E

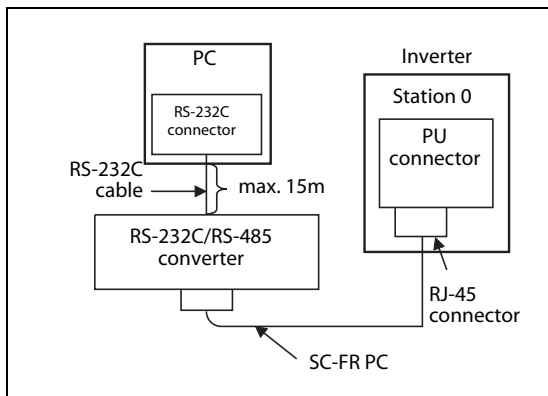
- Connecting a computer to a single inverter



**Fig. 6-111:**  
Connecting the RS-485 interface of a PC to the PU connector

I001211E

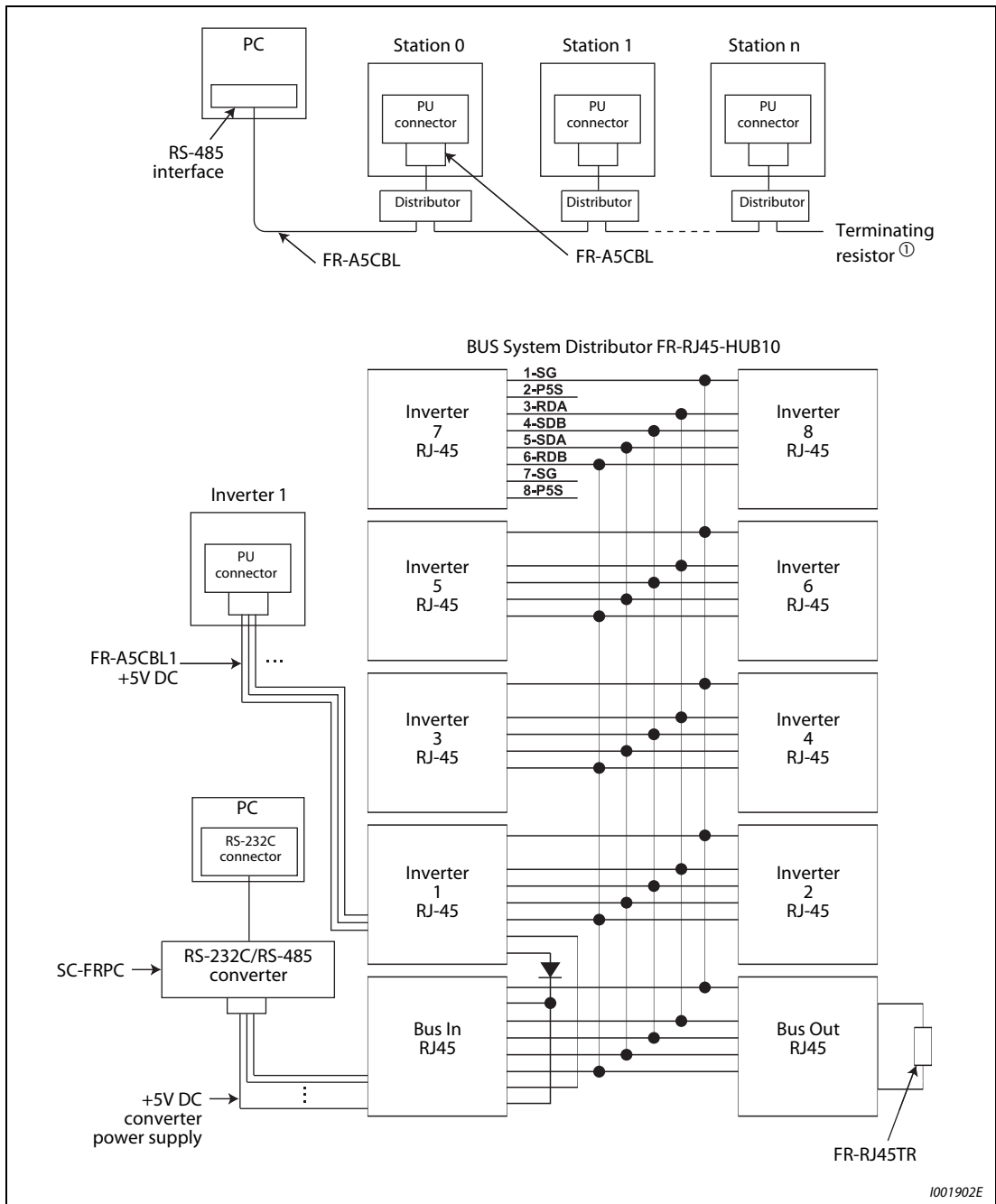
- ① Pins No. 2) and 8) provide power to the operation panel or parameter unit. Do not use these pins for RS-485 communication.



**Fig. 6-112:**  
Connecting the RS-232C interface of a PC to the PU connector

I001212E

● Combination of computer and multiple inverters

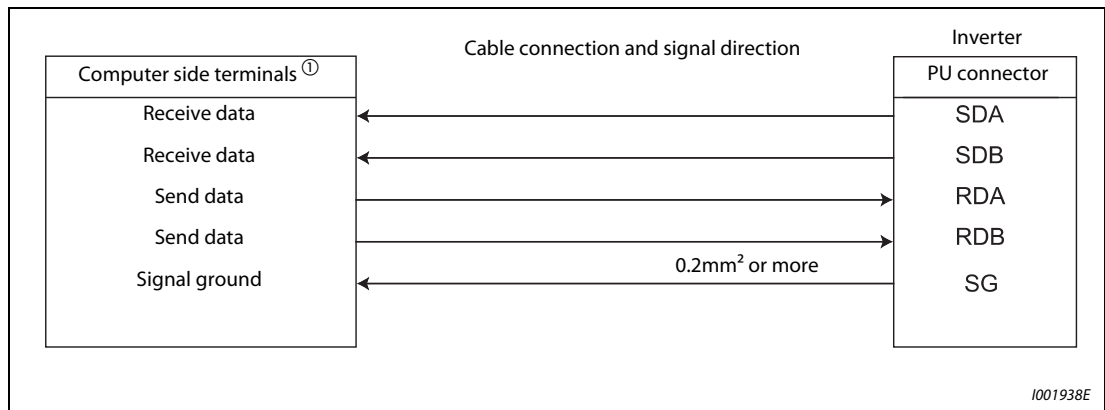


**Fig. 6-113:** Connection of a computer to several inverters

- ① The inverters may be affected by reflection depending on the transmission speed or transmission distance. If this reflection hinders communication, provide a terminating resistor. If the PU connector is used to make a connection, use a distributor since a terminating resistor cannot be fitted. Connect the terminating resistor to only the inverter remotest from the computer. (Terminating resistor: 100Ω)

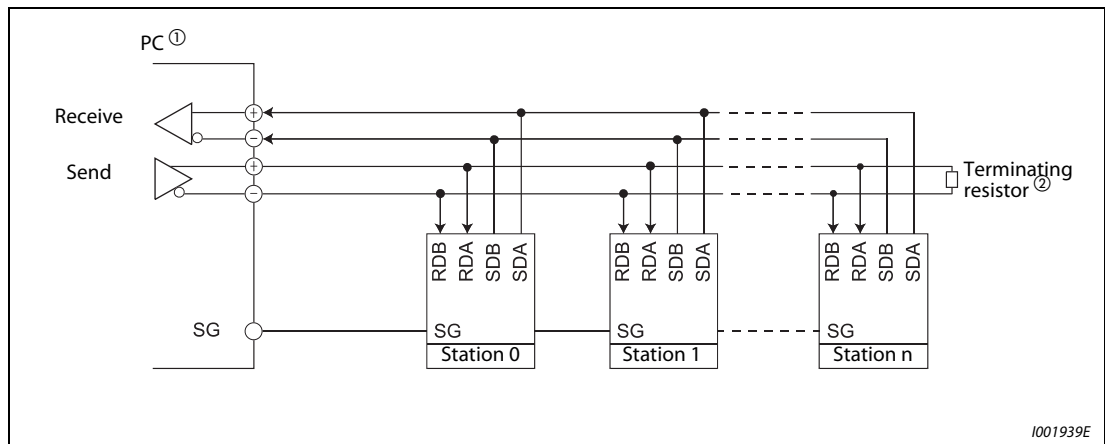
**Connection with RS-485 computer**

- Wiring of one RS-485 computer and one inverter



**Fig. 6-114:** Connection to an inverter

- Wiring of one RS-485 computer and "n" inverters (several inverters)



**Fig. 6-115:** Connection to several inverter

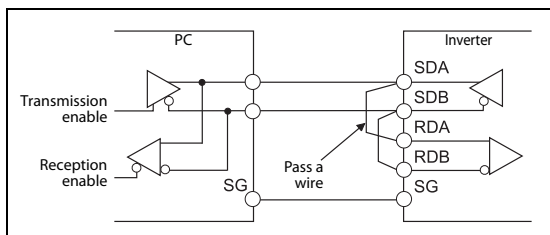
- ① Make connection in accordance with the instruction manual of the computer to be used with. Fully check the terminal numbers of the computer since they vary with the model.
- ② The inverters may be affected by reflection depending on the transmission speed or transmission distance. If this reflection hinders communication, provide a terminating resistor. If the PU connector is used to make a connection, use a distributor since a terminating resistor cannot be fitted. Connect the terminating resistor to only the inverter remotest from the computer. (Terminating resistor: 100Ω)

**NOTE**

Do not use pins No. 2, 8 of the FR-A5CBL cable. (Refer to page 6-227.)

### Two-wire type connection

If the computer is 2-wire type, a connection from the inverter can be changed to 2-wire type by passing wires across reception terminals and transmission terminals of the PU connector pin.



**Fig. 6-116:**  
Two-wire type connection

1001833E

#### NOTES

A program should be created so that transmission is disabled (receiving state) when the computer is not sending and reception is disabled (sending state) during sending to prevent the computer from receiving its own data.

The passed wiring length should be as short as possible.

## 6.19.2 Initial settings and specifications of RS-485 communication (Pr. 117 to Pr. 120, Pr. 123, Pr. 124, Pr. 549)

Used to perform required settings for RS-485 communication between the inverter and personal computer. Use PU connector of the inverter for communication.

- You can perform parameter setting, monitoring, etc. using Mitsubishi inverter protocol or Modbus-RTU protocol.
- To make communication between the personal computer and inverter, initialization of the communication specifications must be made to the inverter. Data communication cannot be made if the initial settings are not made or there is any setting error.

### PU connector communication related parameter

Pr. No.	Name	Initial Value	Setting Range	Description	Parameters referred to	Refer to Section
117	PU communication station number	0	0–31 (0–247) <sup>①</sup>	Specify the inverter station number. Set the inverter station numbers when two or more inverters are connected to one personal computer.	—	
118	PU communication speed	192	48/96/ 192/384	Set the communication speed. The setting value × 100 equals the communication speed. For example, the communication speed is 19200bps when the setting value is "192".		
119	PU communication stop bit length	1		Stop bit length	Data length	
			0	1bit	8bit	
			1	2bit		
			10	1bit	7bit	
11	2bit					
120	PU communication parity check	2	0	Without parity check		
			1	With odd parity check		
			2	With even parity check		
123	PU communication waiting time setting	9999	0–150ms	Set the waiting time between data transmission to the inverter and response.		
			9999	Set with communication data.		
124	PU communication CR/LF presence/absence selection	1	0	Without CR/LF		
			1	With CR		
			2	With CR/LF		
549	Protocol selection	0	0	Mitsubishi inverter (computer link operation) protocol		
			1	Modbus-RTU protocol		

The above parameters can be set when Pr. 160 "User group read selection" = 0.

- ① When "1" (Modbus-RTU protocol) is set in Pr. 549, the setting range within parenthesis is applied.

#### NOTE

Always reset the inverter after making the initial settings of the parameters. After you have changed the communication-related parameters, communication cannot be made until the inverter is reset.



**Operation selection at communication error occurrence (Pr. 121, Pr. 122, Pr. 502)**

Pr. No.	Name	Initial Value	Setting Range	Description				Parameters referred to	Refer to Section
<b>121</b>	Number of PU communication retries	1	0-10	Number of retries at data receive error occurrence If the number of consecutive errors exceeds the permissible value, the inverter will come to trip (depends on Pr. 502). Valid only Mitsubishi inverter (computer link operation) protocol				7 Acceleration time 8 Deceleration time 190-192 Output terminal function selection	6.7.1 6.7.1 6.10.5
			9999	If a communication error occurs, the inverter will not come to trip.					
<b>122</b>	PU communication check time interval	0	0	RS-485 communication can be made. Note that a communication fault (E.PUE) occurs as soon as the inverter is switched to the operation mode with command source.					
			0.1 - 999.8s	Communication check (signal loss detection) time interval. If a no-communication state persists for longer than the permissible time, the inverter will come to trip (depends on Pr. 502).					
			9999	No communication check (signal loss detection)					
<b>502</b>	Stop mode selection at communication error	0		<b>At Fault Occurrence</b>	<b>Indication</b>	<b>Fault Output</b>	<b>At Fault Removal</b>		
			0/3	Coasts to stop	E.PUE	Output	Stop (E.PUE)		
			1	Decelerates to stop	After stop E.PUE	Output after stop	Stop (E.PUE)		
			2	Decelerates to stop	After stop E.PUE	Without output	Automatic restart functions		

The above parameters can be set when Pr. 160 "User group read selection" = 0. However, it can be set any time when the communication option is connected. (Refer to section 6.17.4.)

**Retry count setting (Pr. 121)**

Set the permissible number of retries at data receive error occurrence. (Refer to page 6-245 for data receive error for retry.)

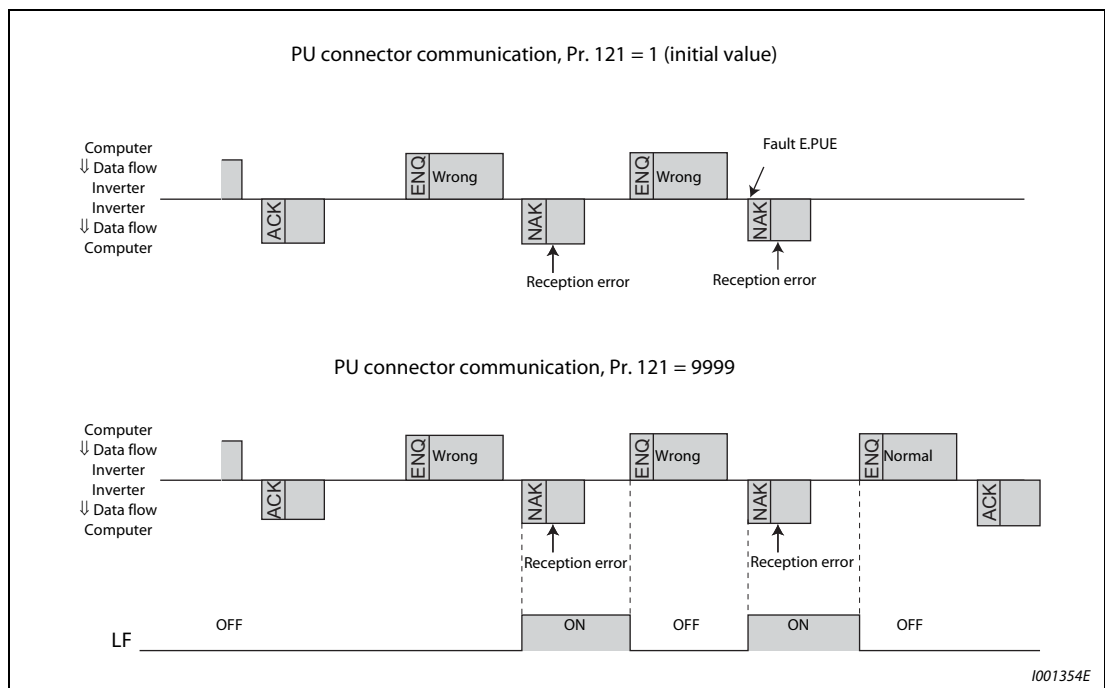
When data receive errors occur consecutively and exceed the permissible number of retries set, an inverter trips (E.PUE) and a motor stops (as set in Pr. 502).

When "9999" is set, an inverter fault is not provided even if data receive error occurs but an alarm signal (LF) is output.

For the terminal used for the LF signal output, assign the function by setting "98 (positive logic) or 198 (negative logic)" in any of Pr. 190 to Pr. 192 "Output terminal function selection".

**Example ▾**

**PU connector communication at different settings of parameter 121**



**Fig. 6-117: Data transmission error**



**NOTE**

Pr. 121 is valid only when Mitsubishi inverter (computer link operation) protocol is selected. Pr. 121 is not valid when Modbus-RTU communication protocol is selected.

### Signal loss detection (Pr. 122)

If a signal loss (communication stop) is detected between the inverter and master as a result of a signal loss detection, a communication fault (E.PUE) occurs and the inverter trips (as set in Pr. 502).

When the setting is "9999", communication check (signal loss detection) is not made.

When the setting value is "0" (initial value), RS-485 communication can be made. However, a communication fault (E.PUE) occurs as soon as the inverter is switched to the operation mode (network operation mode in the initial setting) with the control.

A signal loss detection is made when the setting is any of "0.1s to 999.8s". To make a signal loss detection, it is necessary to send data (refer to Mitsubishi inverter protocol control code (page 6-243), Modbus-RTU communication protocol (page 6-260)) from the computer within the communication check time interval. (The inverter makes communication check (clearing of communication check counter) regardless of the station number setting of the data sent from the master).

Communication check is made from the first communication in the operation mode with control source valid (network operation mode in the initial setting).

#### Example ▾

PU connector communication, Pr. 122 = 0.1–999.8s

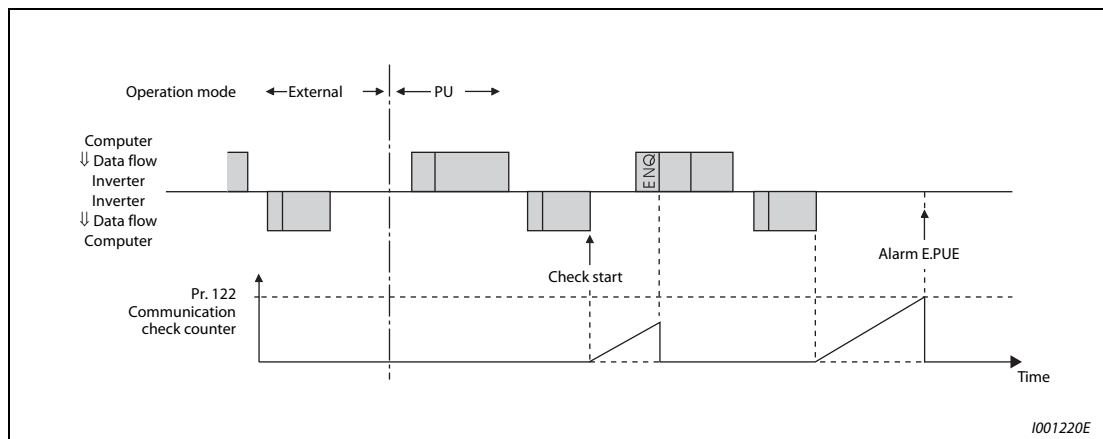


Fig. 6-118: Signal loss detection



#### NOTES

Always set the communication check time interval before starting operation to prevent hazardous conditions.

Data communication is not started automatically but is made only once when the computer provides a communication request. If communication is disabled during operation due to signal cable breakage etc., the inverter cannot be stopped. When the communication check time interval has elapsed, the inverter will come to an alarm stop (E.PUE). The inverter can be coasted to a stop by switching on its RES signal or by switching power off.

If communication is broken due to signal cable breakage, computer fault etc., the inverter does not detect such a fault. This should be fully noted.

**Stop operation selection at occurrence of communication fault (Pr. 502)**

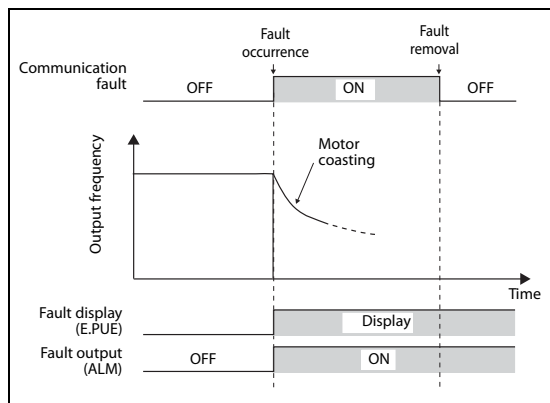
Stop operation when retry count excess (Mitsubishi inverter protocol only) or signal loss detection error occurs can be selected.

Pr. 502	Operation	Indication	Fault Output
0 (initial value)	Coasts to stop.	E. PUE lit	Provided
1	Decelerates to stop	E. PUE lit after stop	Provided after stop
2			Not provided
3	Same as the setting "0"		

**Tab. 6-67:** Operation at fault occurrence

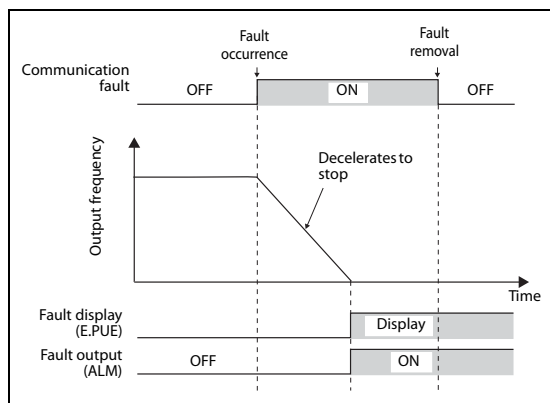
Pr. 502	Operation	Indication	Fault Output
0 (initial value)	Kept stopped	E.PUE	Kept provided
1			
2	Automatic restart functions	Normal display	Not provided
3	Same as the setting "0"		

**Tab. 6-68:** Operation at fault removal



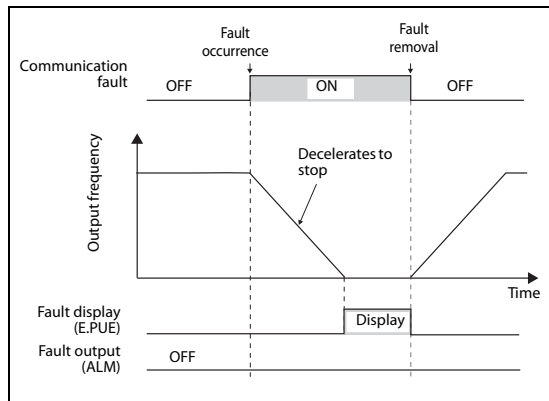
**Fig. 6-119:** Operation when Pr. 502 setting is "0 (initial value) or 3"

I001834E



**Fig. 6-120:** Operation when Pr. 502 setting is "1"

I001835E



**Fig. 6-121:**  
Operation when Pr. 502 setting is "2"

1001836E

## NOTES

The fault output indicates fault output signal (ALM signal) or alarm bit output.

When the setting was made to provide a fault output, the fault description is stored into the faults history. (The fault description is written to the faults history when a fault output is provided.) When no fault output is provided, the fault definition overwrites the fault indication of the faults history temporarily, but is not stored. After the fault is removed, the fault indication returns to the ordinary monitor, and the faults history returns to the preceding fault indication.

When the Pr. 502 setting is "1" or "2", the deceleration time is the ordinary deceleration time setting (e.g. Pr. 8, Pr. 44, Pr. 45). In addition, acceleration time for restart is the normal acceleration time (e.g. Pr. 7, Pr. 44).

When "2" is set in Pr. 502, run command/speed command at restarting follows the command before an fault occurrence.

When "2" is set in Pr. 502 at occurrence of a communication error and the error is removed during deceleration, the inverter accelerates again at that point.

### 6.19.3 Communication E<sup>2</sup>PROM write selection (Pr. 342)

When parameter write is performed from the inverter PU connector, USB communication, and communication option, parameters storage device can be changed from E<sup>2</sup>PROM + RAM to RAM only. Set when a frequent parameter change is necessary.

When changing the parameter values frequently, set "1" in Pr. 342 to write them to the RAM only. The life of the E<sup>2</sup>PROM will be shorter if parameter write is performed frequently with the setting unchanged from "0 (initial value)" (E<sup>2</sup>PROM write).

Pr. No.	Name	Initial Value	Setting Range	Description	Parameters referred to	Refer to Section
342	Communication E <sup>2</sup> PROM write selection	0	0	Parameter values written by communication are written to the E <sup>2</sup> PROM and RAM.	—	
			1	Parameter values written by communication are written to the RAM.		

The above parameter can be set when Pr. 160 "User group read selection" = 0. However, the parameter can be set whenever the communication option is connected. (Refer to section 6.17.4).

**NOTE**

When "1" (write to RAM only) is set in Pr. 342, powering off the inverter will erase the changed parameter values. Therefore, the parameter values available when power is switched on again are the values stored in E<sup>2</sup>PROM previously.

## 6.19.4 Mitsubishi inverter protocol (computer link communication)

You can perform parameter setting, monitor, etc. from the PU connector of the inverter using the Mitsubishi inverter protocol (computer link communication).

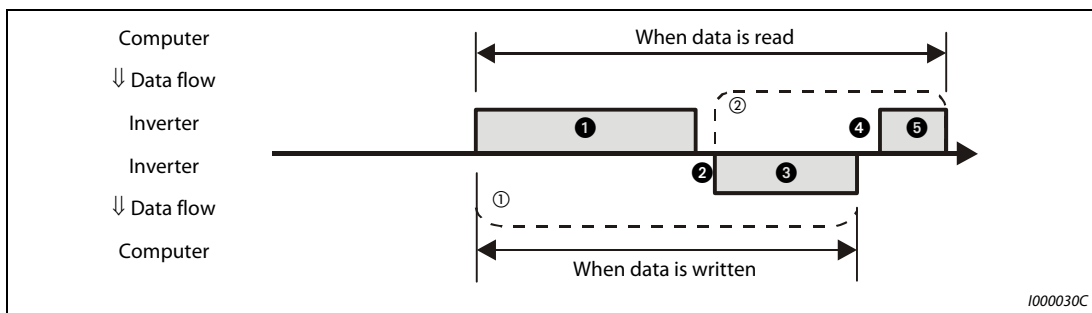
### Communication specifications

Item		Description	Related Parameters
Communication protocol		Mitsubishi protocol (computer link)	Pr. 549
Conforming standard		EIA-485 (RS-485)	—
Number of inverters connected		1 : N (maximum 32 units), setting is 0 to 31 stations	Pr. 117
Communication speed	PU connector	Selected from among 4800/9600/19200 and 38400bps	Pr. 118
Control protocol		Asynchronous system	—
Communication method		Half-duplex system	—
Communication specifications	Character system	ASCII (7 bits or 8 bits can be selected)	Pr. 119
	Start bit	1 bit	—
	Stop bit length	1 bit or 2 bits can be selected	Pr. 119
	Parity check	Check (even, odd) or no check can be selected	Pr. 120
	Error check	Sum code check	—
Terminator		CR/LF (presence or absence can be selected)	Pr. 124
Waiting time setting		Selectable between presence and absence	Pr. 123

**Tab. 6-69:** Communication specifications

**Communication procedure**

Data communication between the computer and inverter is made in the following procedure:



**Fig. 6-122:** Schematic diagram of data exchange

- ① If a data error is detected and a retry must be made, execute retry operation with the user program. The inverter comes to an alarm stop if the number of consecutive retries exceeds the parameter setting.
- ② On receipt of a data error occurrence, the inverter returns "reply data ⑤" to the computer again. The inverter comes to an alarm stop if the number of consecutive data errors reaches or exceeds the parameter setting.

**Communication operation presence/absence and data format types**

Data communication between the computer and inverter is made in ASCII code (hexadecimal code). Data is automatically converted to ASCII format when it is exchanged between an external computer and the frequency inverter. In the following table the different data formats are referred to with the letters A–F. The corresponding formats are explained in the next section.

No.	Operation	Run Command	Running Frequency	Multi Command	Parameter Write	Inverter Reset	Monitor	Parameter Read	
①	Communication request is sent to the inverter in accordance with the user program in the computer.	A1	A A2 <sup>③</sup>	A3	A A2 <sup>③</sup>	A	B	B	
②	The inverter will not send data unless requested.	Present	Present	Present	Present	Absent	Present	Present	
③	Reply data from the inverter (Data ①) is checked for error)	No error <sup>①</sup> (Request accepted)	C	C	C1 <sup>④</sup>	C	E E1 E2 <sup>③</sup>	E E2 <sup>③</sup>	
		With error (Request rejected)	D	D	D	D	D <sup>②</sup>	D	
④	Computer processing delay time	10ms or more							
⑤	Answer from computer in response to reply data ③ (Data ③) is checked for error)	No error <sup>①</sup> (No inverter processing)	Absent	Absent	Absent (C)	Absent	Absent	Absent (C)	Absent (C)
		With error (Inverter reoutputs ③)	Absent	Absent	F	Absent	Absent	F	F

**Tab.6-70:** Communication and data format

- ① In the communication request data from the computer to the inverter, 10ms or more is also required after "no data error (ACK)". (Refer to page 6-245.)
- ② The inverter response to the inverter reset request can be selected. (Refer to page 6-249, Tab. 6-75.)
- ③ When any of "0.01 to 9998" is set in Pr. 37 and "01" in instruction code HFF sets data format to A2 or E2. In addition, data format is always A2 and E2 for read or write of Pr. 37.
- ④ At mode error and data range error, C1 data contains an error code (refer to page 6-257). Except for those errors, the error is returned with data format D.



● Data writing format

Communication request data from the computer to the inverter ①

Format	Number of Characters																		
	1	2	3	4	5	6	7	8	9	10	11	12	13	14	15	16	17	18	19
A	ENQ ①	Inverter station number ②		Instruction code		Waiting time ③	Data				Sum check		④						
A1	ENQ ①	Inverter station number ②		Instruction code		Waiting time ③	Data		Sum check		④								
A2	ENQ ①	Inverter station number ②		Instruction code		Waiting time ③	Data					Sum check		④					
A3	ENQ ①	Inverter station number ②		Instruction code		Waiting time ③	Send data type	Receive data type	Data 1				Data 2				Sum check	④	

Reply data from the inverter to the computer ③ (No data error detected)

Format	Number of Characters																		
	1	2	3	4	5	6	7	8	9	10	11	12	13	14	15	16	17	18	19
C	ACK ①	Inverter station number ②		④															
C1	STX ①	Inverter station number ②		Send data type	Receive data type	Error code 1	Error code 2	Data 1				Data 2				ETX ①	Sum check	④	

Reply data from the inverter to the computer ③ (Data error detected)

Format	Number of Characters				
	1	2	3	4	5
D	NAK ①	Inverter station number ②		Error code	④

- ① Indicate a control code (Refer to Tab. 6-71.)
- ② Specify the inverter station numbers between H00 and H1F (stations 0 to 31) in hexadecimal.
- ③ When Pr. 123, Pr. 337 "Waiting time setting" ≠ 9999, create the communication request data without "waiting time" in the data format. (The number of characters decreases by 1.)
- ④ CR, LF code  
When data is transmitted from the computer to the inverter, codes CR (carriage return) and LF (line feed) are automatically set at the end of a data group on some computers. In this case, setting must also be made on the inverter according to the computer. Whether the CR and LF codes will be present or absent can be selected using Pr. 124 "PU communication CR/LF selection".

● Data reading format

Communication request data from the computer to the inverter ①

Format	Number of Characters								
	1	2	3	4	5	6	7	8	9
B	ENQ ①	Inverter station number ②		Instruction code		Waiting time ③	Sum check		④

Reply data from the inverter to the computer ③ (No data error detected)

Format	Number of Characters												
	1	2	3	4	5	6	7	8	9	10	11	12	13
E	STX ①	Inverter station number ②		Read data				ETX ①	Sum check		④		
E1	STX ①	Inverter station number ②		Read data		ETX ①	Sum check		④				
E2	STX ①	Inverter station number ②		Read data						ETX ①	Sum check		④

Format	Number of Characters													
	1	2	3	4-23							24	25	26	27
E3	STX ①	Inverter station number ②		Read data (Inverter type information)							ETX ①	Sum check		④

Reply data from the inverter to the computer ③ (Data error detected)

Format	Number of Characters				
	1	2	3	4	5
D	NAK ①	Inverter station number ②		Error code	④

Send data from the computer to the inverter ⑤

Format	Number of Characters			
	1	2	3	4
C (No data error detected)	ACK ①	Inverter station number ②		④
F (Data error detected)	NAK ①	Inverter station number ②		④

- ① Indicate a control code (Refer to Tab. 6-71.)
- ② Specify the inverter station numbers between H00 and H1F (stations 0 to 31) in hexadecimal.
- ③ When Pr. 123, Pr. 337 "Waiting time setting" ≠ 9999, create the communication request data without "waiting time" in the data format. (The number of characters decreases by 1.)
- ④ CR, LF code  
When data is transmitted from the computer to the inverter, codes CR (carriage return) and LF (line feed) are automatically set at the end of a data group on some computers. In this case, setting must also be made on the inverter according to the computer. Whether the CR and LF codes will be present or absent can be selected using Pr. 124 "PU communication CR/LF selection".

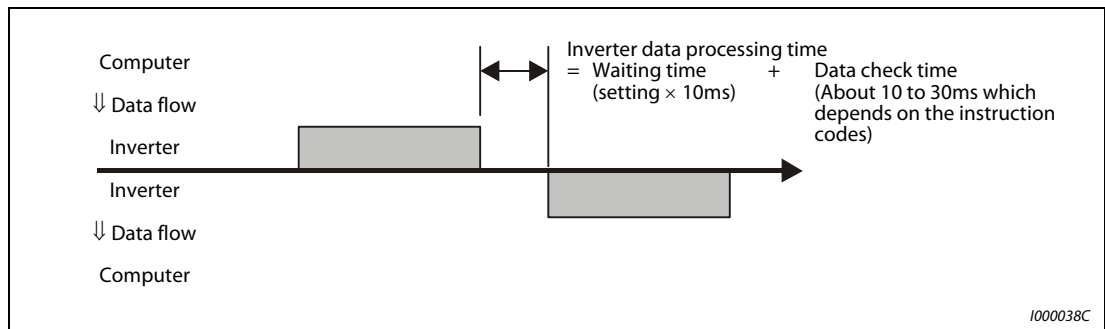
**Data definitions**

● Control codes

Signal Name	ASCII Code	Description
STX	H02	Start Of Text (start of data)
ETX	H03	End Of Text (end of data)
ENQ	H05	Enquiry (communication request)
ACK	H06	Acknowledge (no data error detected)
LF	H0A	Line Feed
CR	H0D	Carriage Return
NAK	H15	Negative Acknowledge (data error detected)

**Tab. 6-71:** Control codes

- Inverter station number  
Specify the station number of the inverter which communicates with the computer.  
The inverter station numbers are specified between H00 and H1F (stations 0 to 31) in hexadecimal.
- Instruction code  
Specify the processing request, e.g. operation or monitoring, given by the computer to the inverter. Hence, the inverter can be run and monitored in various ways by specifying the instruction code as appropriate. (Refer to the appendix.)
- Data  
Indicates the data such as frequency and parameters transferred to and from the inverter. The definitions and ranges of set data are determined in accordance with the instruction codes. (Refer to the appendix.)
- Waiting time  
Specify the waiting time between the receipt of data at the inverter from the computer and the transmission of reply data. Set the waiting time in accordance with the response time of the computer between 0 and 150ms in 10ms increments (e.g. 1 = 10ms, 2 = 20ms).



**Fig. 6-123:** Specifying the waiting time

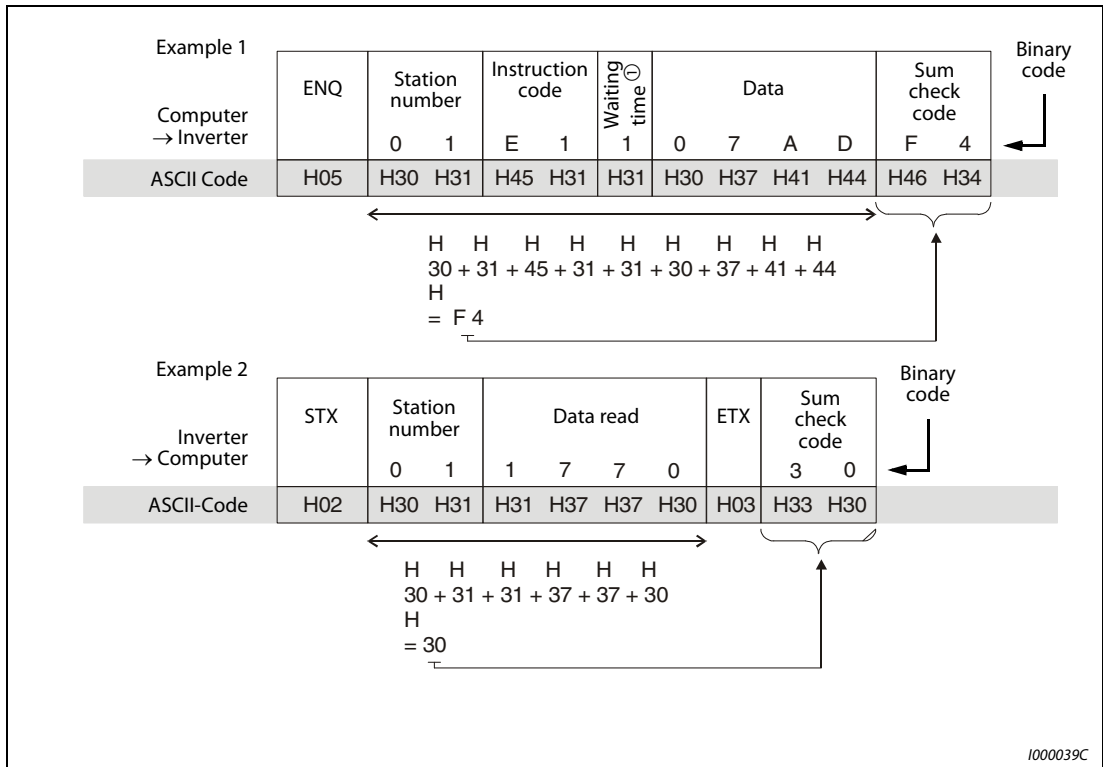
**NOTES**

When Pr. 123 "Waiting time setting" ≠ 9999, create the communication request data without "waiting time" in the data format. (The number of characters decreases by 1.)

The data check time changes depending on the instruction code. (Refer to page 6-246).

● Sum check code

The sum check code is 2-digit ASCII (hexadecimal) representing the lower 1 byte (8 bits) of the sum (binary) derived from the checked ASCII data.



**Fig. 6-124:** Sum check code (examples)

- ① When Pr. 123 "Waiting time setting" ≠ "9999", create the communication request data without "waiting time" in the data format. (The number of characters decreases by 1.)

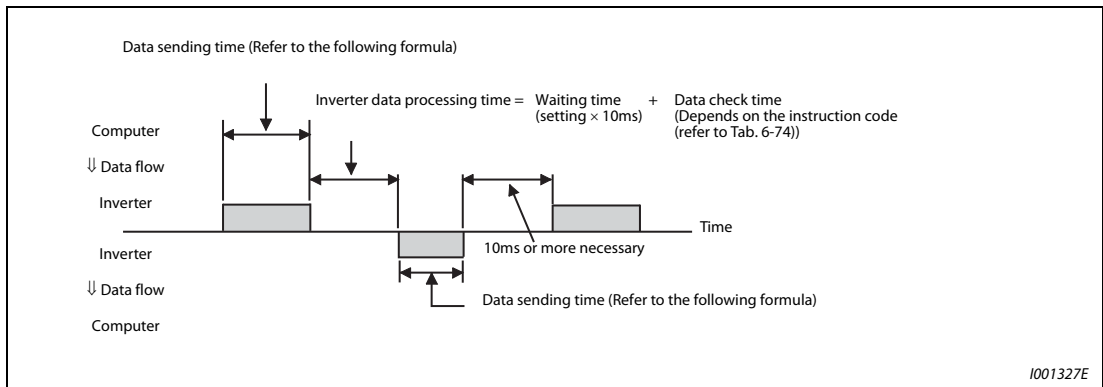
- Error code

If any error is found in the data received by the inverter, its definition is sent back to the computer together with the NAK code.

Error Code	Error Item	Error Definition	Inverter Operation
H0	Computer NAK error	The number of errors consecutively detected in communication request data from the computer is greater than allowed number of retries.	Brought to an alarm stop if error occurs continuously more than the allowable number of retries. (E.PUE)
H1	Parity error	The parity check result does not match the specified parity.	
H2	Sum check error	The sum check code in the computer does not match that of the data received by the inverter.	
H3	Protocol error	The data received by the inverter has a grammatical mistake. Alternatively, data receive is not completed within the predetermined time. CR or LF is not as set in the parameter.	
H4	Framing error	The stop bit length differs from the initial setting.	
H5	Overrun error	New data has been sent by the computer before the inverter completes receiving the preceding data.	
H6	—	—	—
H7	Character error	The character received is invalid (other than 0 to 9, A to F, control code).	Does not accept received data but is not brought to alarm stop.
H8	—	—	—
H9	—	—	—
HA	Mode error	Parameter write was attempted in other than the computer link operation mode, when operation command source is not selected or during inverter operation.	Does not accept received data but is not brought to alarm stop.
HB	Instruction code error	The specified command does not exist.	
HC	Data range error	Invalid data has been specified for parameter write, frequency setting, etc.	
HD	—	—	—
HE	—	—	—
HF	—	—	—

**Tab. 6-72:** Error codes

● Response time



**Fig. 6-125:** Response time

Formula for data sending time:

$$\text{Data sending time [s]} = \frac{1}{\text{Communication speed (Baudrate)}} \times \text{Number of data characters (refer to page 6-240)} \times \text{Communications specifications (total number of bits)} \text{①}$$

① The communication specifications are listed in the table below:

Name		Number of Bits
Stop bit length		1 bit
		2 bits
Data length		7 bit
		8 bits
Parity check	Yes	1 bit
	No	0 bits

**Tab. 6-73:** Communication specifications

**NOTES**

In addition to the above, 1 start bit is necessary.

Minimum number of total bits: 9 bits. Maximum number of total bits: 12 bits.

The data check time related to different functions is shown in the table below:

Function	Data Check Time
Various monitors, run command, frequency setting (RAM)	< 12ms
Parameter read/write, frequency setting (E <sup>2</sup> PROM)	< 30ms
Parameter clear/all clear	< 5s
Reset command	— (no answer)

**Tab. 6-74:** Data check time

### Instructions for the program

When data from the computer has any error, the inverter does not accept that data. Hence, in the user program, always insert a retry program for data error.

All data communication, e.g. run command or monitoring, are started when the computer gives a communication request. The inverter does not return any data without the computer's request. Hence, design the program so that the computer gives a data read request for monitoring, etc. as required.

#### Program example

To change the operation mode to computer link operation

### Programming example of Microsoft<sup>®</sup> Visual C++<sup>®</sup> (Ver.6.0)

```
#include <stdio.h>
#include <windows.h>
void main(void){
HANDLE          hCom;          //Communication handle
DCB             hDcb;          //Structure for communication setting
COMMTIMEOUTS   hTim;          //Structure for time out setting

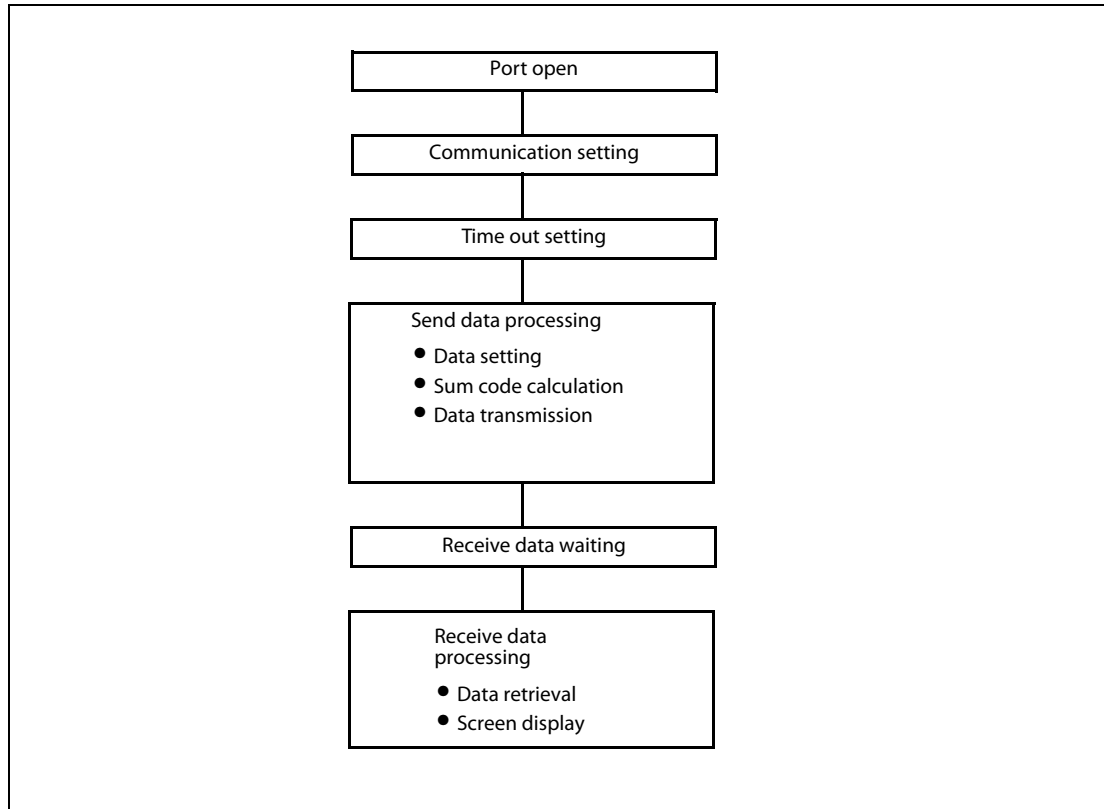
char            szTx[0x10];     //Send buffer
char            szRx[0x10];     //Receive buffer
char            szCommand[0x10]; //Command
int             nTx,nRx;        //For buffer size storing
int             nSum;           //For sum code calculation
BOOL            bRet;
int             nRet;
int             i;

**** Opens COM1 Port****
hCom = CreateFile ("COM1", (GENERIC_READ | GENERIC_WRITE), 0, NULL, OPEN_EXISTING, FILE_ATTRIBUTE_NORMAL, NULL);
if (hCom != NULL) {
**** Makes a communication setting of COM1 port****
GetCommState(hCom,&hDcb); //Retrieves current communication information
hDcb.DCBLength = sizeof(DCB); //Structure size setting
hDcb.BaudRate = 19200; //Communication speed=19200bps
hDcb.ByteSize = 8; //Data length=8bit
hDcb.Parity = 2; //Even parity
hDcb.StopBits = 2; //Stop bit=2bit
bRet = SetCommState(hCom,&hDcb); //Sets the changed communication data
if (bRet == TRUE) {
**** Makes a time out setting of COM1 port****
GetCommTimeouts(hCom,&hTim); //Obtains the current time out value
hTim.WriteTotalTimeoutConstant = 1000; //Write time out 1s
hTim.ReadTotalTimeoutConstant = 1000; //Read time out 1s
SetCommTimeouts(hCom,&hTim); //Changed time out value setting
**** Sets the command to switch the operation mode of the station 1 inverter to the network operation mode ****
sprintf(szCommand,"01FB10000"); //Send data (NET operation write)
nTx = strlen(szCommand); //Send data size
**** Generates sum code****
nSum = 0; //Initialization of sum data
for (i = 0;i < nTx;i++) {
nSum += szCommand[i]; //Calculates sum code
nSum &= (0xff); //Masks data
}

**** Generates send data****
memset(szTx,0,sizeof(szTx)); //Initialization of send buffer
memset(szRx,0,sizeof(szRx)); //Initialization of receive buffer
sprintf(szTx,"%S%%02X",szCommand,nSum); //ENQ code+send data+sum code
nTx = 1 + nTx + 2; //Number of ENQ code+number of send data+number of sum code

nRet = WriteFile(hCom,szTx,nTx,&nTx,NULL);
**** Sending ****
if(nRet != 0) {
nRet = ReadFile(hCom,szRx,sizeof(szRx),&nRx,NULL);
**** Receiving ****
if(nRet != 0) {
**** Displays the receive data ****
for(i = 0;i < nRx;i++) {
printf("%02X ",(BYTE)szRx[i]); //Consol output of receive data
//Displays ASCII coder in hexadecimal. Displays 30 when "0"
}
printf("\n\r");
}
}
}
CloseHandle(hCom); //Close communication port
}
}
```

Fig. 6-126: Programming example



**Fig. 6-127:** General flowchart

#### NOTES

Always set the communication check time interval before starting operation to prevent hazardous conditions.

Data communication is not started automatically but is made only once when the computer provides a communication request. If communication is disabled during operation due to signal cable breakage etc., the inverter cannot be stopped. When the communication check time interval has elapsed, the inverter will come to an alarm stop (E.PUE). The inverter can be coasted to a stop by switching on its RES signal or by switching power off.

If communication is broken due to signal cable breakage, computer fault etc., the inverter does not detect such a fault. This should be fully noted.



### Setting items and set data

After completion of parameter setting, set the instruction codes and data then start communication from the computer to allow various types of operation control and monitoring.

No.	Item	Read/Write	Instruction Code	Data Description	Number of Data Digits (Format)															
1	Operation Mode	Read	H7B	H0000: Network operation H0001: External operation H0002: PU operation	4 (B, E/D)															
		Write	HFB		4 (A, C/D)															
2	Monitor	Read	H6F	H0000 to HFFFF: Output frequency in 0.01Hz increments Speed increments 1/0.001 (when Pr. 37 = 0.01 to 9998) When "0.01 to 9998" is set in Pr. 37 and "01" in instruction code HFF, the increments change to 0.001 and the data format is E2. When "100" is set in Pr. 52, the monitor value is different depending on whether the inverter is at a stop or running. (Refer to section 6.11.2.)	4 6 (B, E, E2/D)															
		Read	H70	H0000 to HFFFF: Output current (hexadecimal) in 0.01A increments	4 (B, E/D)															
		Read	H71	H0000 to HFFFF: Output voltage (hexadecimal) in 0.1V increments	4 (B, E/D)															
		Read	H72	H0000 to HFFFF: Monitor data selected in instruction code HF3	4 6 (B, E2/D)															
		Read	H73	H01 to H3F: Monitor selection data (Refer to Tab. 6-78 on page 6-253.)	2 (B, E1/D)															
		Write	HF3		2 (A1, C/D)															
3	Fault definition	Read	H74 to H77	H0000 to HFFFF:  <table border="1" style="margin-left: 20px;"> <tr> <td style="text-align: center;">b15</td> <td style="text-align: center;">b8 b7</td> <td style="text-align: center;">b0</td> </tr> <tr> <td>H74</td> <td>Second fault in past</td> <td>Latest alarm</td> </tr> <tr> <td>H75</td> <td>Fourth fault in past</td> <td>Third fault in past</td> </tr> <tr> <td>H76</td> <td>Sixth fault in past</td> <td>Fifth fault in past</td> </tr> <tr> <td>H77</td> <td>Eighth fault in past</td> <td>Seventh fault in past</td> </tr> </table> (Refer to Tab. 6-79 on page 6-254.)	b15	b8 b7	b0	H74	Second fault in past	Latest alarm	H75	Fourth fault in past	Third fault in past	H76	Sixth fault in past	Fifth fault in past	H77	Eighth fault in past	Seventh fault in past	4 (B, E/D)
				b15	b8 b7	b0														
				H74	Second fault in past	Latest alarm														
				H75	Fourth fault in past	Third fault in past														
				H76	Sixth fault in past	Fifth fault in past														
H77	Eighth fault in past	Seventh fault in past																		
Write	HF9	You can set the control input commands such as the forward rotation signal (STF) and reverse rotation signal (STR). (Refer to page 6-255 for details.)	4 (A, C/D)																	
Write	HFA		2 (A1, C/D)																	
Read	H79	You can monitor the states of the output signals such as forward rotation, reverse rotation and inverter running (RUN).	4 (B, E/D)																	
Read	H7A	(Refer to page 6-255 for details.)	2 (B, E1/D)																	

**Tab. 6-75:** Setting of the instruction codes and data (1)

No.	Item	Read/write	Instruction Code	Data Description	Number of Data Digits (Format)													
5	Set frequency (RAM)	Read	H6D	Read set frequency/speed from RAM or E <sup>2</sup> PROM. H0000 to HFFFF: Set frequency in 0.01Hz increments Speed increments 1/0.001 (when Pr. 37 = 0.01 to 9998) When "0.01 to 9998" is set in Pr. 37 and "01" in instruction code HFF, the increments change to 0.001 and the data format is E2.	4 (B, E/D) 6 (B, E2/D)													
	Set frequency (E <sup>2</sup> PROM)		H6E															
	Set frequency (RAM)	Write	HED	Write set frequency/speed to RAM or E <sup>2</sup> PROM. H0000 to H9C40 (0 to 400.00Hz): Frequency increments 0.01Hz Speed increments 1/0.001 (when Pr. 37 = 0.01 to 9998) When "0.01 to 9998" is set in Pr. 37 and "01" in instruction code HFF, the increments change to 0.001 and the data format is A2. To change the set frequency consecutively, write data to the inverter RAM. (instruction code: HED)	4 (A, C/D) 6 (A2, C/D)													
	Set frequency (RAM, E <sup>2</sup> PROM)		HEE															
6	Inverter reset	Write	HFD	H9696: Resets the inverter. As the inverter is reset at start of communication by the computer, the inverter cannot send reply data back to the computer.	4 (A, C/D)													
			H9966: Resets the inverter. When data is sent normally, ACK is returned to the computer and then the inverter is reset.	4 (A, D)														
7	Alarm definition all clear	Write	HF4	H9696: Alarm history batch clear	4 (A, C/D)													
8	All parameter clear	Write	HFC	<p>All parameters return to the initial values. Whether to clear communication parameters or not can be selected according to data. (✓: Clear, —: Not clear) Refer to Tab. 6-1 for parameter clear, all clear, and communication parameters.</p> <table border="1"> <thead> <tr> <th>Clear Type</th> <th>Data</th> <th>Communication Parameter</th> </tr> </thead> <tbody> <tr> <td rowspan="2">Parameter clear</td> <td>H9696</td> <td>✓</td> </tr> <tr> <td>H5A5A</td> <td>—</td> </tr> <tr> <td rowspan="2">All parameter clear</td> <td>H9966</td> <td>✓</td> </tr> <tr> <td>H55AA</td> <td>—</td> </tr> </tbody> </table> <p>When all parameter clear is executed for H9696 or H9966, communication-related parameter settings also return to the initial values. When resuming operation, set these parameters again.</p> <p>Executing clear will clear the instruction code HEC, HF3, and HFF settings. In the password locked status only H9966 and H55AA (all parameter clear) are valid.</p>	Clear Type	Data	Communication Parameter	Parameter clear	H9696	✓	H5A5A	—	All parameter clear	H9966	✓	H55AA	—	4 (A, C/D)
Clear Type	Data	Communication Parameter																
Parameter clear	H9696	✓																
	H5A5A	—																
All parameter clear	H9966	✓																
	H55AA	—																

Tab. 6-75: Setting of the instruction codes and data (2)

No.	Item	Read/write	Instruction Code	Data Description	Number of Data Digits (Format)	
9	Parameters	Read	H00 to H63	Refer to the instruction code of the parameter list (appendix) and write and/or read parameter values as required. When setting Pr. 100 and later, link parameter extended setting must be set.	4 (B, E/D) 6 (B, E2/D)	
10		Write	H80 to HE3	Data format of Pr. 37 read and write is E2 and A2.	4 (A, C/D) 6 (A2, C/D)	
11	Link parameter extended setting	Read	H7F	Parameter description is changed according to the H00 to H09 setting.	2 (B, E1/D)	
		Write	HFF	For details of the settings, refer to the instruction code of the parameter list (appendix).	2 (A1, C/D)	
12	Second parameter changing (instruction code HFF = 1, 9)	Read	H6C	Setting calibration parameter ①	2 (B, E1/D)	
		Write	HEC	H00: Frequency ② H01: Parameter-set analog value H02: Analog value input from terminal ①Refer to the list of calibration parameters on page 6-252. ②The gain frequency can also be written using Pr. 125 (instruction code: H99) or Pr. 126 (instruction code: H9A).	2 (A1, C/D)	
13	Multi command	Write/Read	HF0	Available for writing 2 commands, and monitoring 2 items for reading data	10 (A3, C1/D)	
14	Inverter type monitor	Inverter type	Read	H7C	Reading inverter type in ASCII code. "H20" (blank code) is set for blank area Example of FR-E740SC H46, H52, H2D, H45, H37, H34, H30, H20...H20	20 (B, E3/D)
		Capacity	Write	H7D	Reading inverter capacity in ASCII code. Data is read in increments of 0.1kW, and rounds down to 0.01kW increments. "H20" (blank code) is set for blank area. Examples: 0.4K . . . . "-----4" (H20, H20, H20, H20, H20, H34) 0.75K . . . . "-----7" (H20, H20, H20, H20, H20, H37)	6 (B, E2/D)

**Tab. 6-75:** Setting of the instruction codes and data (3)

#### NOTES

Refer to page 6-240 for data formats A, A1, A2, A3, B, C, C1, D, E, E1, E2, E3 and F.

Set 65520 (HFFF0) as a parameter value "8888" and 65535 (HFFFF) as "9999".

For the instruction codes HFF, HEC and HF3, their values are held once written but cleared to zero when an inverter reset or all clear is performed.

**Example** ▾

When reading the C3 (Pr. 902) and C6 (Pr. 904) settings from the inverter of station No. 0.

	Computer Send Data	Inverter Send Data	Description
①	ENQ 00 FF 0 01 82	ACK 00	Set "H01" to the extended link parameter.
②	ENQ 00 EC 0 01 7E	ACK 00	Set "H01" to second parameter changing.
③	ENQ 00 5E 0 0F	STX 00 0000 ETX 25	C3 (Pr. 902) is read. 0% is read.
④	ENQ 00 60 0 FB	STX 00 0000 ETX 25	C6 (Pr. 904) is read. 0% is read.

**Tab. 6-76:** Example for data transmission

To read/write C3 (Pr. 902) and C6 (Pr. 904) after inverter reset or parameter clear, execute from step ① again.



● List of calibration parameters

Pr.	Name	Instruction Code			Pr.	Name	Instruction Code		
		Read	Write	Extended			Read	Write	Extended
C2 (902)	Terminal 2 frequency setting bias frequency	5E	DE	1	C5 (905)	Terminal 4 frequency setting bias frequency	60	E0	1
C3 (902)	Terminal 2 frequency setting bias	5E	DE	1	C6 (904)	Terminal 4 frequency setting bias	60	E0	1
125 (903)	Terminal 2 frequency setting gain frequency	5F	DF	1	126 (905)	Terminal 4 frequency setting gain frequency	61	E1	1
C4 (903)	Terminal 2 frequency setting gain	5F	DF	1	C7 (905)	Terminal 4 frequency setting gain	61	E1	1

**Tab. 6-77:** Calibration parameters

- Special monitor selection numbers.  
Refer to section 6.11.2 for details of the monitor description.

Data	Description	Unit	Data	Description	Unit
H01	Output frequency/speed <sup>①</sup>	0.01Hz 0.001	H14	Cumulative energization time	1h
H02	Output current	0.01A	H17	Actual operation time	1h
H03	Output voltage	0.1V	H18	Motor load factor	0.1%
H05	Frequency setting/speed setting <sup>①</sup>	0.01Hz 0.001	H19	Cumulative power	1kWh
H07	Motor torque	0.1%	H34	PID set point	0.1%
H08	Converter output voltage	0.1V	H35	PID measured value	0.1%
H09	Regenerative brake duty	0.1%	H36	PID deviation	0.1%
H0A	Electronic thermal relay function load factor	0.1%	H3A	Option input terminal status 1 <sup>④</sup>	—
H0B	Output current peak value	0.01A	H3B	Option input terminal status 2 <sup>⑤</sup>	—
H0C	Converter output voltage peak value	0.1V	H3C	Option output terminal status <sup>⑥</sup>	—
H0E	Output power	0.01kW	H3D	Motor thermal load factor	0.1%
H0F	Input terminal status <sup>②</sup>	—	H3E	Inverter thermal load factor	0.1%
H10	Output terminal status <sup>③</sup>	—	H3F	Cumulative power 2	0.01kWh

**Tab. 6-78:** Special monitor selection numbers

- ① When "0.01 to 9998" is set in Pr. 37 and "01" in instruction code HFF, the data format is 6 digits (E2).

- ② Input terminal monitor details – MRS is OFF.

b15														b0	
—	—	—	—	—	RES	—	MRS	—	RH	RM	RL	—	—	STR	STF

- ③ Output terminal monitor details

b15												b0			
—	—	—	—	—	—	—	—	—	—	ABC	FU	—	—	—	RUN

- ④ Details of option input terminal monitor 1 (input terminal status of FR-A7AX-Ekit-SC-E)  
(All terminals are off when an option is not fitted.)

b15															b0
X15	X14	X13	X12	X11	X10	X9	X8	X7	X6	X5	X4	X3	X2	X1	X0

- ⑤ Details of option input terminal monitor 2 (input terminal status of FR-A7AX-Ekit-SC-E)  
(All terminals are off when an option is not fitted.)

b15														b0	
—	—	—	—	—	—	—	—	—	—	—	—	—	—	—	DY

- ⑥ Details of option output terminal monitor (output terminal status of FR-A7AX-Ekit-SC-E/  
FR-A7AR-Ekit-SC-E)  
(All terminals are off when an option is not fitted.)

b15															b0
—	—	—	—	—	—	RA3	RA2	RA1	Y6	Y5	Y4	Y3	Y2	Y1	Y0

- Fault data  
Refer to section 7.1 for details of alarm description.

Data	Description	Data	Description	Data	Description
H00	No fault present	H70	E.BE	HC7	E.AIE
H10	E.OC1	H80	E.GF	HC8	E.USB
H11	E.OC2	H81	E.LF	HC9	E.SAF
H12	E.OC3	H90	E.OHT	HD8	E.MB4
H20	E.OV1	HA0	E.OPT	HD9	E.MB5
H21	E.OV2	HA1	E.OP1	HDA	E.MB6
H22	E.OV3	HB0	E.PE	HDB	E.MB7
H30	E.THT	HB1	E.PUE	HF1	E.1
H31	E.THM	HB2	E.RET	HF5	E.5
H40	E.FIN	HB3	E.PE2	HF6	E.6
H52	E.ILF	HC0	E.CPU	HF7	E.7
H60	E.OLT	HC5	E.IOH	HFD	E.13

Tab. 6-79: Fault data

**Example** ▽

Fault description display example (instruction code: H74)

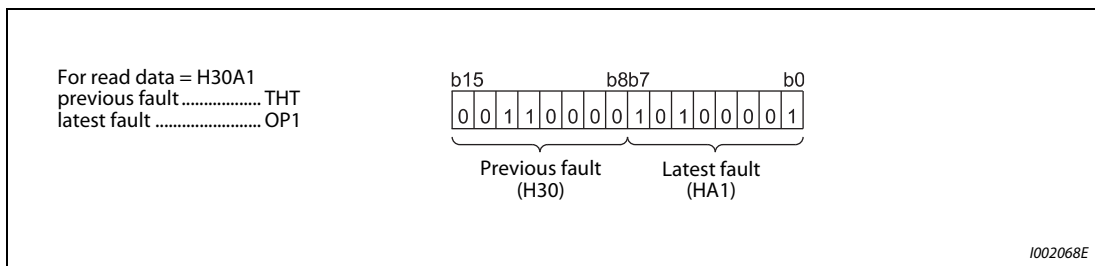


Fig. 6-128: Fault example



● Run command

Item	Instruction Code	Bits	Description	Example
Run command	HFA	8	b0: AU (current input selection) ③ b1: Forward rotation start b2: Reverse rotation start b3: RL (low speed) ① ③ b4: RM (middle speed) ① ③ b5: RH (high speed) ① ③ b6: RT (second function selection) ③ b7: MRS (output stop) ① ③	Example 1: H02 (Forward rotation) b7 b0 0 0 0 0 0 0 1 0 Example 2: H00 (Stop) b7 b0 0 0 0 0 0 0 0 0
Run command (extended)	HF9	16	b0: AU (current input selection) ③ b1: Forward rotation start b2: Reverse rotation start b3: RL (low speed) ① ③ b4: RM (middle speed) ① ③ b5: RH (high speed) ① ③ b6: RT (second function selection) ③ b7: MRS (output stop) ① ③ b8: — b9: — b10: — b11: RES (reset) ② ③ b12: — b13: — b14: — b15: —	Example 1: H0002 (Forward rotation) b15 b0 0 0 0 0 0 0 0 0 0 0 0 0 0 0 1 0 Example 2: H0800 low speed operation (When Pr. 184 "RES terminal function selection" is set to "0") b15 b0 0 0 0 0 1 0 0 0 0 0 0 0 0 0 0 0

**Tab. 6-80:** Run commands

- ① The signal within parentheses is the initial setting. The description changes depending on the setting of Pr. 180 to Pr. 184 "Input terminal function selection". (Refer to section 6.10.1.)
- ② The signal within parentheses is the default setting. Reset cannot be controlled by the network, bit 11 is invalid in the initial status. When using bit 11, change the signal with Pr. 184 "RES terminal function selection" (section 6.10.1) (Reset can be executed with the instruction code HFD.)
- ③ When Pr. 551 = 2 (PU Mode control source is PU connector), only forward rotation and reverse rotation can be used.

● Inverter status monitor

Item	Instruction Code	Bits	Description	Example
Inverter status monitor	H7A	8	b0: RUN (inverter running) ① b1: Forward rotation b2: Reverse rotation b3: SU (up to frequency) b4: OL (overload) b5: — b6: FU (frequency detection) ① b7: ABC (alarm) ①	Example 1: H02 (During forward rotation) b7 b0 0 0 0 0 0 0 1 0 Example 2: H80 (Stop at alarm occurrence) b7 b0 1 0 0 0 0 0 0 0
Inverter status monitor (extended)	H79	16	b0: RUN (inverter running) ① b1: Forward rotation b2: Reverse rotation b3: SU (up to frequency) b4: OL (overload) b5: — b6: FU (frequency detection) ① b7: ABC (alarm) ① b8: — b9: — b10: — b11: — b12: — b13: — b14: — b15: Alarm occurrence	Example 1: H0002 (During forward rotation) b15 b0 0 0 0 0 0 0 0 0 0 0 0 0 0 0 1 0 Example 2: H8080 ( Stop at alarm occurrence) b15 b0 1 0 0 0 0 0 0 0 0 1 0 0 0 0 0 0

**Tab. 6-81:** Monitoring the inverter status

① The signal within parentheses is the initial setting. The description changes depending on the setting of Pr. 190 to Pr. 192 "Output terminal function selection". (Refer to section 6.10.5.)



● Multi command HF0

Sending data format from computer to inverter

Format	Number of Characters																		
	1	2	3	4	5	6	7	8	9	10	11	12	13	14	15	16	17	18	19
A3	ENQ	Inverter station number		Instruction code (HF0)		Waiting time	Send data type ①	Receive data type ②	Data 1 ③				Data 2 ③				Sum check	CR/LF	

Reply data from the inverter to the computer (no data error detected)

Format	Number of Characters																		
	1	2	3	4	5	6	7	8	9	10	11	12	13	14	15	16	17	18	19
C1	STX	Inverter station number		Send data type ①	Receive data type ②	Error code 1 ⑤	Error code 2 ⑤	Data 1 ④				Data 2 ④				ETX	Sum check	CR/LF	

- ① Specify the data type of sending data (from computer to inverter).
- ② Specify the data type of reply data (from inverter to computer).
- ③ Combination of data 1 and data 2 for sending.

Data Type	Data 1	Data 2	Remarks
0	Run command (expansion)	Set frequency (RAM)	Run command (expansion) is same as instruction code HF9 (refer to page 6-255). The unit of set frequency is always by four digits, even when "0.01 to 9998" is set in Pr. 37 and "01" is set in instruction code HFF.
1	Run command (expansion)	Set frequency (RAM, E <sup>2</sup> PROM)	

**Tab. 6-82:** Data type of sending data

- ④ Combination of data 1 and data 2 for reply

Data Type	Data 1	Data 2	Remarks
0	Inverter status monitor (expansion)	Output frequency (speed)	Inverter status monitor (expansion) is same as instruction code H79 . (Refer to page 6-255) The unit of speed monitor is always by four digits (rounds down after the decimal point), even when "0.01 to 9998" is set in Pr. 37 and "01" is set in instruction code HFF. Replies the monitor item specified in instruction code HF3 for special monitor. (Refer to page 6-253)
1	Inverter status monitor (expansion)	Special monitor	

**Tab. 6-83:** Data type of reply data

- ⑤ Error code for sending data 1 is set in error code 1, and error code for sending data 2 is set in error code 2. Mode error (HA), instruction code error (HB), data range error (HC) or no error (HF) is replied.

## 6.19.5 Modbus-RTU communication (Pr. 117, Pr. 118, Pr. 120, Pr. 122, Pr. 343, Pr. 549)

Using the Modbus RTU communication protocol, communication operation or parameter setting can be performed from the PU connector of the inverter.

Pr. No.	Name	Initial Value	Setting Range	Description	Parameters referred to	Refer to Section	
117	PU communication station number	0	0	No reply to the master <sup>①</sup>	—		
			1–247	Inverter station number specification Set the inverter station numbers when two or more inverters are connected to one personal computer.			
118	PU communication speed	96	48/96/ 192/384	Communication speed The setting value × 100 equals the communication speed. (Example: 9600bps if 96)			
120	PU communication parity check	2	0	Without parity check Stop bit length 2bit			
			1	With odd parity check Stop bit length 1bit			
			2	With even parity check Stop bit length 1bit			
122	PU communication check time interval	0	0	RS-485 communication can be made. Note that a communication fault (E.PUE) occurs as soon as the inverter is switched to the operation mode with command source.			
			0.1 – 999.8s	Communication check (signal loss detection) time interval If a no-communication state persists for longer than the permissible time, the inverter will come to trip (depends on Pr. 502).			
			9999	No communication check (signal loss detection)			
343	Communication error count	0	—	Displays the number of communication errors during Modbus-RTU communication (reading only)			
502	Stop mode selection at communication error	0		<b>At Fault Occurrence</b>	<b>Indication</b>	<b>Fault Output</b>	<b>At Fault Removal</b>
			0/3	Coasts to stop	E.PUE	Output	Stop (E.PUE)
			1	Decelerates to stop	After stop E.PUE	Output after stop	Stop (E.PUE)
			2	Decelerates to stop	After stop E.PUE	Without output	Automatic restart functions
549	Protocol selection	0	0	Mitsubishi inverter (computer link) protocol			
			1	Modbus-RTU protocol			

The above parameter can be set when Pr. 160 "User group read selection" = 0.

- ① When Modbus-RTU communication is performed from the master with address 0 (station number 0) set, broadcast communication is selected and the inverter does not send a response message. When response from the inverter is necessary, set a value other than "0" (initial value is 0) in Pr. 117 "PU communication station number". Some functions are invalid for broadcast communication. (Refer to page 6-261.)

### NOTES

When "1" (Modbus-RTU protocol) is set in Pr. 549 and "384" (38400bps) in Pr. 118, parameter unit (FR-PU04/FR-PU07) is disabled. When using the parameter unit (FR-PU04/FR-PU07), change parameter using the operation panel.

When using the Modbus-RTU protocol, set Pr. 549 "Protocol selection" to "1".

When PU connector is selected as NET mode operation source (when Pr. 550 "NET mode operation command source selection" = 2 or 9999 (initial value) without communication option), Modbus RTU communication operation can be performed. (Refer to section 6.19.2).

**Communication specifications**

Item		Description	Related Parameters
Communication protocol		Modbus-RTU protocol	Pr. 549
Conforming standard		EIA-485 (RS-485)	—
Number of inverters connected		1 : N (maximum 32 units), setting is 0 to 247 stations	Pr. 117
Communication speed		Can be selected from 4800/9600/19200 and 38400bps	Pr. 118
Control protocol		Asynchronous system	—
Communication method		Half-duplex system	—
Communication specifications	Character system	Binary (fixed to 8 bits)	—
	Start bit	1bit	—
	Stop bit length	Select from the following three types	Pr. 120
	Parity check	<ul style="list-style-type: none"> <li>● No parity, stop bit length: 2 bits</li> <li>● Odd parity, stop bit length: 1 bit</li> <li>● Even parity, stop bit length: 1 bit</li> </ul>	
	Error check	CRC code check	
	Terminator	—	—
Waiting time setting		—	—

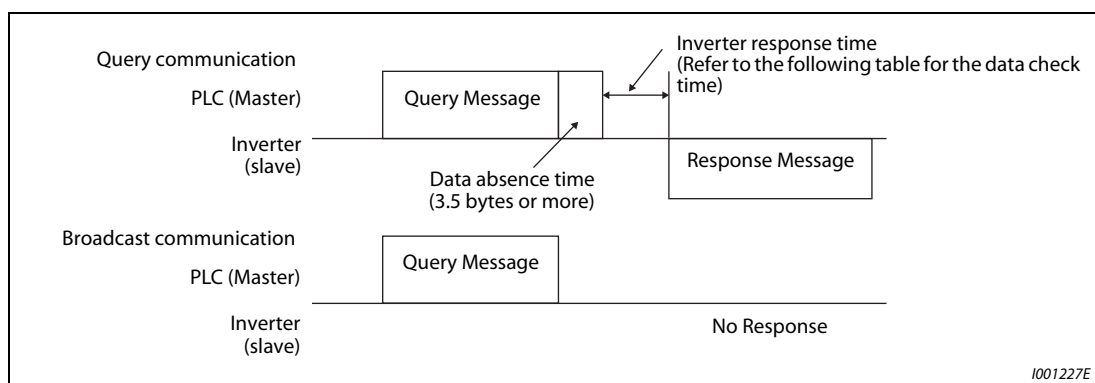
**Tab. 6-84:** Communication specifications

**Outline**

The Modbus protocol is the communication protocol developed by Modicon for PLC. The Modbus protocol performs serial communication between the master and slave using the dedicated message frame. The dedicated message frame has the functions that can perform data read and write. Using the functions, you can read and write the parameter values from the inverter, write the input command of the inverter, and check the operating status. In this product, the inverter data are classified in the holding register area (register addresses 40001 to 49999). By accessing the assigned holding register address, the master can communicate with the inverter which is a slave.

**NOTE**

There are two different serial transmission modes: ASCII (American Standard Code for Information Interchange) mode and RTU (Remote Terminal Unit) mode. This product supports only the RTU mode in which two hexadecimal coded characters are transmitted in one byte (8 bit) data. Only the communication protocol is defined by the Modbus protocol, and the physical layer is not stipulated.



**Fig. 6-129:** Message format

The data check time related to different functions is shown in the table below:

Item	Check Time
Various monitors, operation command, frequency setting (RAM)	< 20ms
Parameter read/write, frequency setting (E <sup>2</sup> PROM)	< 50ms
Parameter clear/all clear	< 5s
Reset command	—

**Tab. 6-85:** Data check time

- Query  
The master sends a message to the slave (= inverter) at the specified address.
- Normal Response  
Response after receiving the query from the master, the slave executes the requested function and returns the corresponding normal response to the master.
- Error Response  
If an invalid function code, address or data is received, the slave returns it to the master. When a response description is returned, the error code indicating that the request from the master cannot be executed is added. No response is returned for the hardware-detected error, frame error and CRC check error.
- Broadcast  
By specifying address 0, the master can send a message to all slaves. All slaves that received the message from the master execute the requested function. In this communication, the slaves do not return a response to the master.

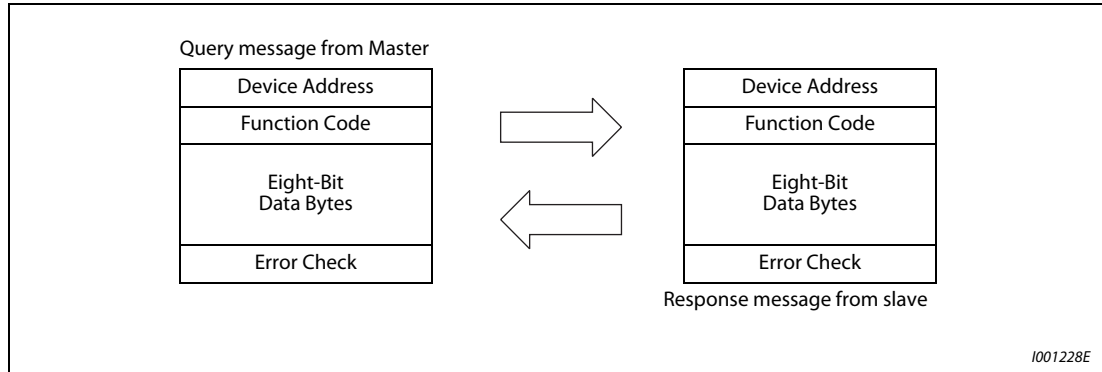
**NOTE**

The inverter executes the function independently of the inverter station number setting (Pr. 117) during broadcast communication.

**Message frame (protocol)**

Communication method

Basically, the master sends a query message (question) and the slave returns a response message (response). When communication is normal, Device Address and Function Code are copied as they are, and when communication is abnormal (function code or data code is illegal), bit 7 (= 80h) of Function Code is turned on and the error code is set to Data Bytes.



**Fig. 6-130: Data transmission**

The message frame consists of the four message fields as shown above. By adding the no-data time (T1: Start, End) of 3.5 characters to the beginning and end of the message data, the slave recognizes it as one message.

Protocol details

Start	① Address	② Function	③ Data	④ CRC Check		End
T1	8 bits	8 bits	n × 8 bits	L 8 bits	H 8 bits	T1

Message Field		Description																								
①	Address field	The address code is 1 byte long (8 bits) and any of 0 to 247 can be set. Set "0" to send a broadcast message (all-address instruction) or any of 1 to 247 to send a message to each slave. When the slave responds, it returns the address set from the master. The value set to Pr. 117 "PU communication station number" is the slave address.																								
②	Function field	<p>The function code is 1 byte long (8 bits) and can be set to any of 1 to 255. The master sets the function that it wants to request from the slave, and the slave performs the requested operation. The following table gives the supported function codes. An error response is returned if the set function code is other than those in the following table. When the slave returns a normal response, it returns the function code set by the master. When the slave returns an error response, it returns H80 + function code.</p> <table border="1" style="width: 100%; border-collapse: collapse;"> <thead> <tr> <th>Code</th> <th>Function Name</th> <th>Outline</th> <th>Broadcast Communication</th> </tr> </thead> <tbody> <tr> <td>H03</td> <td>Read Holding Register</td> <td>Reads the holding register data.</td> <td>Disallowed</td> </tr> <tr> <td>H06</td> <td>Preset Single Register</td> <td>Writes data to the holding register.</td> <td>Allowed</td> </tr> <tr> <td>H08</td> <td>Diagnostics</td> <td>Function diagnosis. (communication check only)</td> <td>Disallowed</td> </tr> <tr> <td>H10</td> <td>Preset Multiple Registers</td> <td>Writes data to multiple consecutive holding registers.</td> <td>Allowed</td> </tr> <tr> <td>H46</td> <td>Read Holding Register Access Log</td> <td>Reads the number of registers that succeeded in communication last time.</td> <td>Disallowed</td> </tr> </tbody> </table>	Code	Function Name	Outline	Broadcast Communication	H03	Read Holding Register	Reads the holding register data.	Disallowed	H06	Preset Single Register	Writes data to the holding register.	Allowed	H08	Diagnostics	Function diagnosis. (communication check only)	Disallowed	H10	Preset Multiple Registers	Writes data to multiple consecutive holding registers.	Allowed	H46	Read Holding Register Access Log	Reads the number of registers that succeeded in communication last time.	Disallowed
Code	Function Name	Outline	Broadcast Communication																							
H03	Read Holding Register	Reads the holding register data.	Disallowed																							
H06	Preset Single Register	Writes data to the holding register.	Allowed																							
H08	Diagnostics	Function diagnosis. (communication check only)	Disallowed																							
H10	Preset Multiple Registers	Writes data to multiple consecutive holding registers.	Allowed																							
H46	Read Holding Register Access Log	Reads the number of registers that succeeded in communication last time.	Disallowed																							
③	Data field	The format changes depending on the function code (refer to page 6-262). Data includes the byte count, number of bytes, description of access to the holding register, etc.																								
④	CRC check field	The received message frame is checked for error. CRC check is performed, and 2 byte long data is added to the end of the message. When CRC is added to the message, the low-order byte is added first and is followed by the high-order byte. The CRC value is calculated by the sending side that adds CRC to the message. The receiving side recalculates CRC during message receiving, and compares the result of that calculation and the actual value received in the CRC check field. If these two values do not match, the result is defined as error.																								

**Tab. 6-86: Protocol details**

### Message format types

The message formats corresponding to the function codes in Tab. 6-86 will be explained.

- Read holding register data (H03 or 03)  
Can read the description of system environment variables, real-time monitor, alarm history, and inverter parameters assigned to the holding register area. (Refer to the register list on page 6-270.)

#### Query Message

① Slave Address	② Function	③ Starting Address		④ No. of Points		CRC Check	
(8 bits)	H03 (8 bits)	H (8 bits)	L (8 bits)	H (8 bits)	L (8 bits)	L (8 bits)	H (8 bits)

#### Response message

① Slave Address	② Function	⑤ Byte Count	⑥ Data			CRC Check	
(8 bits)	H03 (8 bits)	(8 bits)	H (8 bits)	L (8 bits)	... n × 16 bits	L (8 bits)	H (8 bits)

Message		Description
①	Slave Address	Set the address to which the message will be sent. Broadcast communication cannot be made (0 is invalid)
②	Function	Set H03.
③	Starting Address	Set the address at which holding register data read will be started. Starting address = starting register address (decimal) + 40001 For example, setting of the starting address 0001 reads the data of the holding register 40002.
④	No. of Points	Set the number of holding registers from which data will be read. The number of registers from which data can be read is a maximum of 125.

**Tab. 6-87:** Description of the query message

Message		Description
⑤	Byte Count	The setting range is H02 to HFA (2 to 250). Twice greater than the No. of Points specified at ④ is set.
⑥	Data	The number of data specified at ④ is set. Data are read in order of Hi byte and Lo byte, and set in order of starting address data, starting address + 1 data, starting address + 2 data, ...

**Tab. 6-88:** Description of normal response

**Example** ▾

▮ To read the register values of 41004 (Pr. 4) to 41006 (Pr. 6) from the slave address 17 (H11).

Query message

Slave Address	Function	Starting Address		No. of Points		CRC Check	
H11 (8 bits)	H03 (8 bits)	H03 (8 bits)	HEB (8 bits)	H00 (8 bits)	H03 (8 bits)	H77 (8 bits)	H2B (8 bits)

Normal response (Response message)

Slave Address	Function	Byte Count	Data						CRC Check	
H11 (8 Bits)	H03 (8 Bits)	H06 (8 Bits)	H17 (8 Bits)	H70 (8 Bits)	H0B (8 Bits)	HB8 (8 Bits)	H03 (8 Bits)	HE8 (8 Bits)	H2C (8 Bits)	HE6 (8 Bits)

Read value:

Register 41004 (Pr. 4): H1770 (60.00Hz)

Register 41005 (Pr. 5): H0BB8 (30.00Hz)

Register 41006 (Pr. 6): H03E8 (10.00Hz)



- Write multiple holding register data (H06 or 06)  
You can write the description of system environment variables and inverter parameters assigned to the holding register area. (Refer to the register list on page 6-270).

Query message

① Slave Address	② Function	③ Register Address		④ Preset Data		CRC Check	
(8 bits)	H06 (8 bits)	H (8 bits)	L (8 bits)	H (8 bits)	L (8 bits)	L (8 bits)	H (8 bits)

Normal response (Response message)

① Slave Address	② Function	③ Register Address		④ Preset Data		CRC Check	
(8 bits)	H06 (8 bits)	H (8 bits)	L (8 bits)	H (8 bits)	L (8 bits)	L (8 bits)	H (8 bits)

Message		Description
①	Slave Address	Set the address to which the message will be sent. Setting of address 0 enables broadcast communication.
②	Function	Set H06.
③	Register Address	Set the address of the holding register to which data will be written. Register address = holding register address (decimal) + 40001 For example, setting of register address 0001 writes data to the holding register address 40002.
④	Preset Data	Set the data that will be written to the holding register. The written data is fixed to 2 bytes.

**Tab. 6-89:** Description of the query message

The normal response data ① to ④ (including CRC check) of the normal response are the same as those of the query message. No response is made for broadcast communication.

**Example** ▾

To write 60Hz (H1770) to 40014 (running frequency RAM) at slave address 5 (H05).

Query message

Slave Address	Function	Register Address		Preset Data		CRC Check	
H05 (8 bits)	H06 (8 bits)	H00 (8 bits)	H0D (8 bits)	H17 (8 bits)	H70 (8 bits)	H17 (8 bits)	H99 (8 bits)

Normal Response (Response message):  
Same data as the query message.



**NOTE**

For broadcast communication, no response is returned in reply to a query. Therefore, the next query must be made when the inverter processing time has elapsed after the previous query.



- Function diagnosis (H08 or 08)

A communication check can be made since the query message sent is returned unchanged as a response message (function of subfunction code H00). Subfunction code H00 (Return Query Data).

## Query message

① Slave Address	② Function	③ Subfunction		④ Data		CRC Check	
(8 bits)	H08 (8 bits)	H00 (8 bits)	H00 (8 bits)	H (8 bits)	L (8 bits)	L (8 bits)	H (8 bits)

## Normal response (Response message)

① Slave Address	② Function	③ Subfunction		④ Data		CRC Check	
(8 bits)	H08 (8 bits)	H00 (8 bits)	H00 (8 bits)	H (8 bits)	L (8 bits)	L (8 bits)	H (8 bits)

Message		Description
①	Slave Address	Set the address to which the message will be sent. Broadcast communication cannot be made (0 is invalid)
②	Function	Set H08.
③	Subfunction	Set H0000.
④	Data	Any data can be set if it is 2 bytes long. The setting range is H0000 to HFFFF.

**Tab. 6-90:** Description of the query message

The normal response data ① to ④ (including CRC check) of the normal response are the same as those of the query message.

- Write multiple holding register data (H10 or 16)  
You can write data to multiple holding registers.

Query message

① Slave Address	② Function	③ Starting Address		④ No. of Registers		⑤ Byte Count	⑥ Data				CRC Check	
(8 Bits)	H10 (8 Bits)	H (8 Bits)	L (8 Bits)	H (8 Bits)	L (8 Bits)	L (8 Bits)	H (8 Bits)	L (8 Bits)	...	n × 2 × 8 Bits	L (8 Bits)	H (8 Bits)

Normal response (Response message)

① Slave Address	② Function	③ Starting Address		④ No. of Registers		CRC Check	
(8 bits)	H10 (8 bits)	H (8 bits)	L (8 bits)	H (8 bits)	L (8 bits)	L (8 bits)	H (8 bits)

Message	Description
① Slave Address	Set the address to which the message will be sent. Setting of address 0 enables broadcast communication.
② Function	Set H10.
③ Starting Address	Set the address where holding register data write will be started. Starting address = starting register address (decimal) + 40001 For example, setting of the starting address 0001 reads the data of the holding register 40002.
④ No. of Points	Set the number of holding registers where data will be written. The number of registers where data can be written is a maximum of 125.
⑤ Byte Count	The setting range is H02 to HFA (0 to 250). Set twice greater than the value specified at ④.
⑥ Data	Set the data specified by the number specified at ④. The written data are set in order of Hi byte and Lo byte, and arranged in order of the starting address data, starting address + 1 data, starting address + 2 data ...

Tab. 6-91: Description of the query message

The normal response data ① to ④ (including CRC check) of the normal response are the same as those of the query message.

**Example** ▽

To write 0.5s (H05) to 41007 (Pr. 7) at the slave address 25 (H19) and 1s (H0A) to 41008 (Pr. 8).

Query message

Slave Address	Function	Starting Address		No. of Registers		Byte Count	Data				CRC Check	
H19 (8 bits)	H10 (8 bits)	H03 (8 bits)	HEE (8 bits)	H00 (8 bits)	H02 (8 bits)	H04 (8 bits)	H00 (8 bits)	H05 (8 bits)	H00 (8 bits)	H0A (8 bits)	H86 (8 bits)	H3D (8 bits)

Normal response (Response message)

Slave Address	Function	Starting Address		No. of Registers		Byte Count	CRC Check	
H19 (8 bits)	H10 (8 bits)	H03 (8 bits)	HEE (8 bits)	H00 (8 bits)	H02 (8 bits)	H04 (8 bits)	H22 (8 bits)	H61 (8 bits)



- Read holding register access log (H46 or 70)

A response can be made to a query made by the function code H03 or H10.

The starting address of the holding registers that succeeded in access during previous communication and the number of successful registers are returned.

In response to the query for other than the above function code, 0 is returned for the address and number of registers.

Query message

① Slave Address	② Function	CRC Check	
(8 bits)	H46 (8 bits)	L (8 bits)	H (8 bits)

Normal response (Response message)

① Slave Address	② Function	③ Starting Address		④ No. of Points		CRC Check	
(8 bits)	H46 (8 bits)	H (8 bits)	L (8 bits)	H (8 bits)	L (8 bits)	L (8 bits)	H (8 bits)

Message		Description
①	Slave Address	Set the address to which the message will be sent. Broadcast communication cannot be made (0 is invalid)
②	Function	Set H46.

**Tab. 6-92:** Description of the query message

Message		Description
③	Starting Address	The starting address of the holding registers that succeeded in access is returned. Starting address = starting register address (decimal) + 40001 For example, when the starting address 0001 is returned, the address of the holding register that succeeded in access is 40002.
④	No. of Points	The number of holding registers that succeeded in access is returned.

**Tab. 6-93:** Description of normal response

**Example** ▽

To read the successful register starting address and successful count from the slave address 25 (H19).

Query message

Slave Address	Function	CRC Check	
H19 (8 bits)	H46 (8 bits)	H8B (8 bits)	HD2 (8 bits)

Normal response (Response message)

Slave Address	Function	Starting Address		No. of Points		CRC Check	
H19 (8 bits)	H10 (8 bits)	H03 (8 bits)	HEE (8 bits)	H00 (8 bits)	H02 (8 bits)	H22 (8 bits)	H61 (8 bits)

Success of two registers at starting address 41007 (Pr. 7) is returned.



- Error response  
An error response is returned if the query message received from the master has an illegal function, address or data. No response is returned for a parity, CRC, overrun, framing or busy error.

**NOTE**

No response message is sent in the case of broadcast communication also.

## Error response (Response message)

① Slave Address	② Function	③ Exception Code	CRC Check	
(8 bits)	H80 + Function (8 bits)	(8 bits)	L (8 bits)	H (8 bits)

Message		Description
①	Slave address	Set the address received from the master.
②	Function	The master-requested function code + H80 is set.
③	Exception code	The code in the following table is set.

**Tab. 6-94:** Description of response data

Code	Error Item	Description
01	ILLEGAL FUNCTION (Function code illegal)	The set function code in the query message from the master cannot be handled by the slave.
02	ILLEGAL DATA ADDRESS ① (Address illegal)	The set register address in the query message from the master cannot be handled by the inverter. (No parameter, parameter read disabled, parameter write disabled)
03	ILLEGAL DATA VALUE (Data illegal)	The set data in the query message from the master cannot be handled by the inverter. (Out of parameter write range, mode specified, other error)

**Tab. 6-95:** Error code list

- ① An error will not occur in the following cases:
- Function code H03 (Read Holding Register Data)  
When the No. of Points is 1 or more and there is one or more holding registers from which data can be read.
  - Function code H10 (Write Multiple Holding Register Data)  
When the No. of Points is 1 or more and there is 1 or more holding registers to which data can be written.

Namely, when the function code H03 or H10 is used to access multiple holding registers, an error will not occur if a non-existing holding register or read disabled or write disabled holding register is accessed.

**NOTES**

An error will occur if all accessed holding registers do not exist.

Data read from a non-existing holding register is 0, and data written there is invalid.

To detect the mistakes of message data from the master, they are checked for the following errors. If an error is detected, an alarm stop will not occur.

Error Item	Error Definition	Inverter Side Operation
Parity error	The data received by the inverter differs from the specified parity (Pr. 120 setting).	Pr. 343 is increased by 1 at error occurrence. The terminal LF is output at error occurrence.
Framing error	The data received by the inverter differs from the specified stop bit length (Pr. 120).	
Overrun error	The following data was sent from the master before the inverter completes data receiving.	
Message frame error	The message frame data length is checked, and the received data length of less than 4 bytes is regarded as an error.	
CRC check error	A mismatch found by CRC check between the message frame data and calculation result is regarded as an error.	

**Tab. 6-96:** Error check item

**Modbus registers**

## ● System environment variable

Register	Definition	Read/Write	Remarks
40002	Inverter reset	Write	Any value can be written
40003	Parameter clear	Write	Set H965A as a written value.
40004	All parameter clear	Write	Set H99AA as a written value.
40006	Parameter clear <sup>①</sup>	Write	Set H5A96 as a written value.
40007	All parameter clear <sup>①</sup>	Write	Set HAA99 as a written value.
40009	Inverter status/control input instruction <sup>②</sup>	Read/write	Refer to Tab. 6-98
40010	Operation mode/inverter setting <sup>③</sup>	Read/write	Refer to Tab. 6-99
40014	Running frequency (RAM value)	Read/write	According to the Pr. 37 setting, the frequency and selectable speed are in 1r/min increments.
40015	Running frequency (E <sup>2</sup> PROM value)	Write	

**Tab. 6-97:** System environment variable

- ① The communication parameter values are not cleared.
- ② For write, set the data as a control input instruction. For read, data is read as an inverter operating status.
- ③ For write, set data as the operation mode setting. For read, data is read as the operation mode status.

Bit	Definition	
	Control Input Instruction	Inverter Status
0	Stop command	RUN (inverter running) <sup>②</sup>
1	Forward rotation command	Forward rotation
2	Reverse rotation command	Reverse rotation
3	RH (high speed operation command) <sup>①</sup>	SU (up to frequency)
4	RM (middle speed operation command) <sup>①</sup>	OL (overload)
5	RL (low speed operation command) <sup>①</sup>	0
6	0	FU (frequency detection) <sup>②</sup>
7	RT (second function selection)	ABC (Alarm) <sup>②</sup>
8	AU (current input selection)	0
9	0	0
10	MRS (output stop) <sup>①</sup>	0
11	0	0
12	RES (reset) <sup>①</sup>	0
13	0	0
14	0	0
15	0	Alarm

**Tab. 6-98:** Inverter status/control input instruction

- ① The signal within parentheses is the default setting. The description changes depending on the setting of Pr. 180 to Pr. 184 "Input terminal function selection". (Refer to section 6.10.1.) Each assigned signal is valid or invalid depending on NET. (Refer to section 6.18.3.)
- ② The signal within parentheses is the default setting. Definitions change according to the Pr. 190 to Pr. 192 "Output terminal function selection". (Refer to section 6.10.5.)

Operation Mode	Read Value	Written Value
EXT	H0000	H0010
PU	H0001	—
EXT JOG	H0002	—
PU JOG	H0003	—
NET	H0004	H0014
PU + EXT	H0005	—

**Tab. 6-99:** Operation mode/inverter setting

The restrictions depending on the operation mode changes according to the computer link specifications.

● Real-time monitor

Refer to section 6.11.2 for details of the monitor description.

Register	Description	Unit	Register	Description	Unit
40201	Output frequency/ speed ①	0.01Hz/1	40220	Cumulative energizing time	1h
40202	Output current	0.01A	40223	Actual operation time	1h
40203	Output voltage	0.1V	40224	Motor load factor	0.1%
40205	Frequency setting/ speed setting ①	0.01Hz/1	40225	Cumulative power	1kWh
40207	Motor torque	0.1%	40252	PID set point	0.1%
40208	Converter output voltage	0.1V	40253	PID measurement value	0.1%
40209	Regenerative brake duty	0.1%	40254	PID deviation value	0.1%
40210	Electronic thermal relay function load factor	0.1%	40258	Option input terminal status 1 d	—
40211	Output current peak value	0.01A	40259	Option input terminal status 2 ⑤	—
40212	Converter output voltage peak value	0.1V	40260	Option output terminal status ⑥	—
40214	Output power	0.01kW	40261	Motor thermal load factor	0.1%
40215	Input terminal status ②	—	40262	Inverter thermal load factor	0.1%
40216	Output terminal status ③	—	40263	Cumulative power 2	0.01kWh

**Tab. 6-100: Real-time monitor**

① When Pr. 37 = "0.01 to 9998", displayed in integral number.

② Input terminal monitor details – MRS is OFF.

b15														b0	
—	—	—	—	—	RES	—	MRS	—	RH	RM	RL	—	—	STR	STF

③ Output terminal monitor details

b15														b0	
—	—	—	—	—	—	—	—	—	—	—	ABC	FU	—	—	RUN

④ Details of option input terminal monitor 1 (input terminal status of FR-A7AX-Ekit-SC-E)  
(All terminals are off when an option is not fitted.)

b15															b0	
X15	X14	X13	X12	X11	X10	X9	X8	X7	X6	X5	X4	X3	X2	X1	X0	

⑤ Details of option input terminal monitor 2 (input terminal status of FR-A7AX-Ekit-SC-E)  
(All terminals are off when an option is not fitted.)

b15															b0	
—	—	—	—	—	—	—	—	—	—	—	—	—	—	—	DY	

⑥ Details of option output terminal monitor (output terminal status of FR-A7AY-Ekit-SC-E/  
FR-A7AR-Ekit-SC-E) (All terminals are off when an option is not fitted.)

b15															b0	
—	—	—	—	—	—	RA3	RA2	RA1	Y6	Y5	Y4	Y3	Y2	Y1	Y0	



## ● Parameter

Parameters	Register	Parameter Name	Read/Write	Remarks
0-999	41000 - 41999	Refer to the parameter list (Tab. 6-1) for the parameter names.	Read/write	The parameter number + 41000 is the register number.
C2 (902)	41902	Terminal 2 frequency setting bias (frequency)	Read/write	
C3 (902)	42092	Terminal 2 frequency setting bias (analog value)	Read/write	The analog value (%) set to C3 (902) is read.
	43902	Terminal 2 frequency setting bias (terminal analog value)	Read	The analog value (%) of the voltage (current) applied to the terminal 2 is read.
125 (903)	41903	Terminal 2 frequency setting gain (frequency)	Read/write	
C4 (903)	42093	Terminal 2 frequency setting gain (analog value)	Read/write	The analog value (%) set to C4 (903) is read.
	43903	Terminal 2 frequency setting gain (terminal analog value)	Read	The analog value (%) of the voltage (current) applied to the terminal 2 is read.
C5 (904)	41904	Terminal 4 frequency setting bias (frequency)	Read/write	
C6 (904)	42094	Terminal 4 frequency setting bias (analog value)	Read/write	The analog value (%) set to C6 (904) is read.
	43904	Terminal 4 frequency setting bias (terminal analog value)	Read	The analog value (%) of the current (voltage) applied to the terminal 4 is read.
126 (905)	41905	Terminal 4 frequency setting gain (frequency)	Read/write	
C7 (905)	42095	Terminal 4 frequency setting gain (analog value)	Read/write	The analog value (%) set to C7 (905) is read.
	43905	Terminal 4 frequency setting gain (terminal analog value)	Read	The analog value (%) of the current (voltage) applied to the terminal 4 is read.

Tab. 6-101: Parameter

● Fault history

Register	Definition	Read/Write	Remarks
40501	Fault history 1	Read/write	Being 2 bytes in length, the data is stored as "H00□□". The error code can be referred to in the low-order 1 byte. Performing write using the register 40501 batch-clears the alarm history. Set any value as data.
40502	Fault history 2	Read	
40503	Fault history 3	Read	
40504	Fault history 4	Read	
40505	Fault history 5	Read	
40506	Fault history 6	Read	
40507	Fault history 7	Read	
40508	Fault history 8	Read	

**Tab. 6-102:** Fault history

Data	Description	Data	Description	Data	Description
H00	No fault present	H70	E.BE	HC7	E.AIE
H10	E.OC1	H80	E.GF	HC8	E.USB
H11	E.OC2	H81	E.LF	HC9	E.SAF
H12	E.OC3	H90	E.OHT	HD8	E.MB4
H20	E.OV1	HA0	E.OPT	HD9	E.MB5
H21	E.OV2	HA1	E.OP1	HDA	E.MB6
H22	E.OV3	HB0	E.PE	HDB	E.MB7
H30	E.THT	HB1	E.PUE	HF1	E.1
H31	E.THM	HB2	E.RET	HF5	E.5
H40	E.FIN	HB3	E.PE2	HF6	E.6
H52	E.ILF	HC0	E.CPU	HF7	E.7
H60	E.OLT	HC5	E.IOH	HFD	E.13

**Tab. 6-103:** Fault code list

**NOTE**

Refer to section 7.1 for details of fault definition.

**Communication error count (Pr. 343)**

You can check the cumulative number of communication errors.

Parameters	Setting Range	Minimum Setting Range	Initial Value
343	(Read only)	1	0

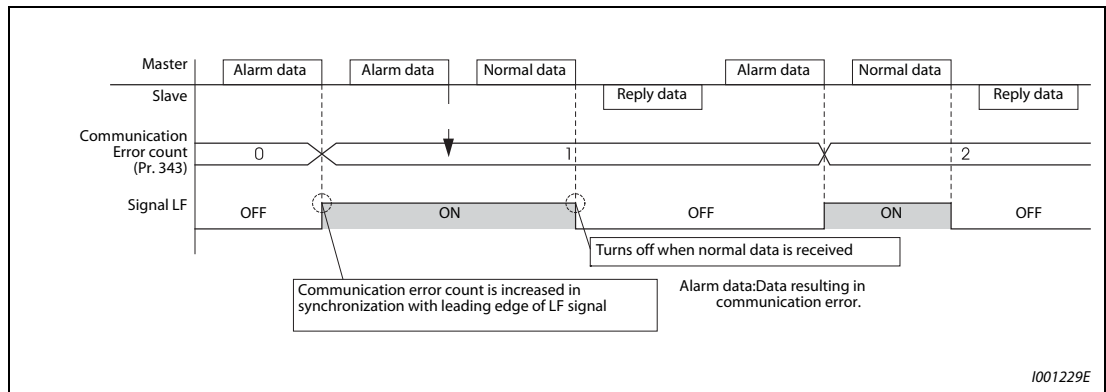
**Tab. 6-104:** Number of communication errors

**NOTE**

The number of communication errors is temporarily stored into the RAM. As it is not stored into the E<sup>2</sup>PROM, performing a power supply reset or inverter reset clears the value to 0.

**Output terminal LF "alarm output (communication error warnings)"**

During a communication error, the alarm signal (LF signal) is output by open collector output. Assign the used terminal using any of Pr. 190 to Pr. 192 "Output terminal function selection".



**Fig. 6-131:** Output of the LF signal

**NOTE**

The LF signal can be assigned to the output terminal using any of Pr. 190 to Pr. 192. Changing the terminal assignment may affect the other functions. Make setting after confirming the function of each terminal.

### 6.19.6 USB communication (Pr. 547, Pr. 548)

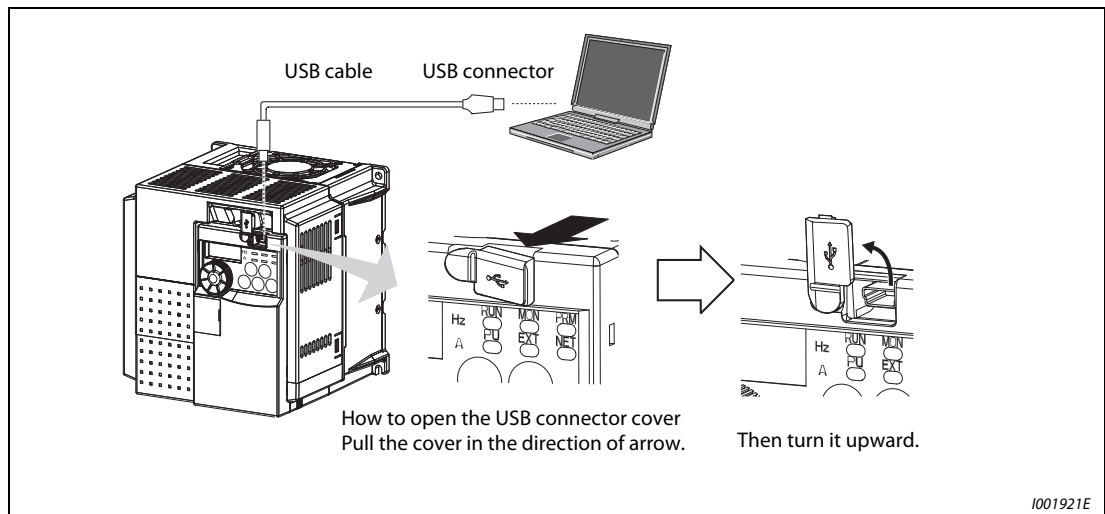
Inverter setup can be easily performed using the FR Configurator by connecting the inverter and personal computer with a USB cable. A personal computer and inverter can be easily connected with one USB cable.

Pr. No.	Name	Initial Value	Setting Range	Description	Parameters referred to	Refer to Section
<b>547</b>	USB communication station number ①	0	0–31	Inverter station number specification	551 PU mode operation command source selection	6.18.3
<b>548</b>	USB communication check time interval ①	9999	0	USB communication is possible Trips in the PU operation mode (E.USB)		
			0.1–999.8s	Sets the interval of communication check time. If a no-communication state persists for longer than the permissible time, the inverter will come to trip (E.USB).		
			9999	No communication check		

① Changed setting value is made valid when powering on or resetting the inverter.

Specification	Description
Interface	Conforms to USB1.1
Transmission speed	12Mbps
Wiring Length	5m
Connector	USB mini B connector (receptacle mini B type)
Power supply	Self-power supply

**Tab. 6-105:** USB communication specifications



**Fig. 6-132:** Connection to the USB connector

You can perform parameter setting and monitoring with the FR Configurator. Refer to the instruction manual of the FR Configurator for details.

## 6.20 Special operation

Purpose	Parameters that must be set		Refer to Section
Perform process control such as pump and air volume.	PID control	Pr. 127–Pr. 134	6.20.1
Dancer control	PID control (dancer control setting)	Pr. 44, Pr. 45, Pr. 128–Pr. 134	6.20.2
Frequency control appropriate for load torque	Droop control	Pr. 286, Pr. 287	6.20.3
Avoid overvoltage alarm due to regeneration by automatic adjustment of output frequency	Regeneration avoidance function	Pr. 882–Pr. 886	6.20.4

### 6.20.1 PID control (Pr. 127 to Pr. 134)

The inverter can be used to exercise process control, e.g. flow rate, air volume or pressure.

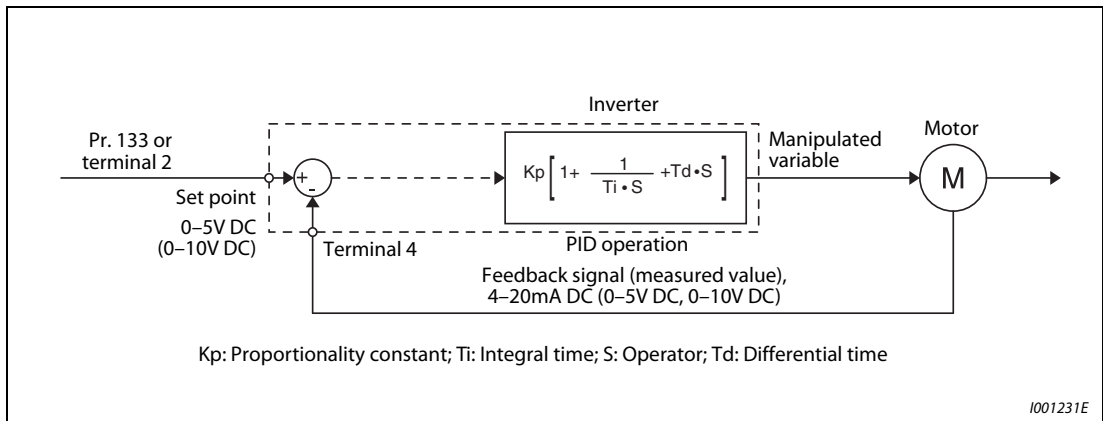
The terminal 2 input signal or parameter setting is used as a set point and the terminal 4 input signal used as a feedback value to constitute a feedback system for PID control.

Pr. No.	Name	Initial Value	Setting Range	Description	Parameters referred to	Refer to Section					
127	PID control automatic switchover frequency	9999	0–400Hz	Set the frequency at which the control is automatically changed to PID control.	59 Remote function selection	6.6.3					
			9999	Without PID automatic switchover function			73 Analog input selection	6.16.1			
128	PID action selection	0	0	PID action is not performed	79 Operation mode selection	6.18.1					
			20	PID reverse action			Measured value (terminal 4) Set value (terminal 2 or Pr. 133)	178–184 Input terminal function selection	6.10.1		
			21	PID forward action						190–192 Output terminal function selection	6.10.5
			40	PID reverse action			Addition method: fixed	For dancer control set point (Pr. 133), measured value (terminal 4) main speed (frequency command of the operation mode)	261 Power failure stop selection		
			41	PID forward action						Addition method: ratio	C2 (Pr. 902) – Frequency setting voltage
			42	PID reverse action			Deviation value signal input (LonWORKS, CC-Link communication)	C7 (Pr. 905) – Frequency setting voltage (current) bias/gain			
			43	PID forward action					50 PID reverse action	51 PID forward action	
			60	PID reverse action			Measured value, set point input (LonWORKS, CC-Link communication)				
			61	PID forward action							
			129	PID proportional band ①			100%	0.1 – 1000%	If the proportional band is narrow (parameter setting is small), the manipulated variable varies greatly with a slight change of the measured value. Hence, as the proportional band narrows, the response sensitivity (gain) improves but the stability deteriorates, e.g. hunting occurs. Gain $K_p = 1/\text{proportional band}$	9999	No proportional control
								9999	No proportional control		
130	PID integral time ①	1s	0.1 – 3600s	For deviation step input, time (Ti) required for only the integral (I) action to provide the same manipulated variable as that for the proportional (P) action. As the integral time decreases, the set point is reached earlier but hunting occurs more easily.	9999	No integral control.					
			9999	No integral control.							
131	PID upper limit	9999	0–100%	Maximum value If the feedback value exceeds the setting, the FUP signal is output. The maximum input (20mA/5V/10V) of the measured value (terminal 4) is equivalent to 100%.	9999	No function					
			9999	No function							
132	PID lower limit	9999	0–100%	Minimum frequency If the process value falls below the setting range, the FDN signal is output. The maximum input (20mA/5V/10V) of the measured value (terminal 4) is equivalent to 100%.	9999	No function					
			9999	No function							
133	PID action set point ①	9999	0–100%	Used to set the set point for PID control.	9999	Terminal 2 input is the set point.					
			9999	Terminal 2 input is the set point.							
134	PID differential time ①	9999	0.01 – 10.00s	For deviation ramp input, time (Td) required for providing only the manipulated variable for the proportional (P) action. As the differential time increases, greater response is made to a deviation change.	9999	No differential control.					
			9999	No differential control.							

The above parameters can be set when Pr. 160 "User group read selection" = 0.

① This parameter allows its setting to be changed during operation in any operation mode even if "0" (initial value) is set in Pr. 77 "Parameter write selection".

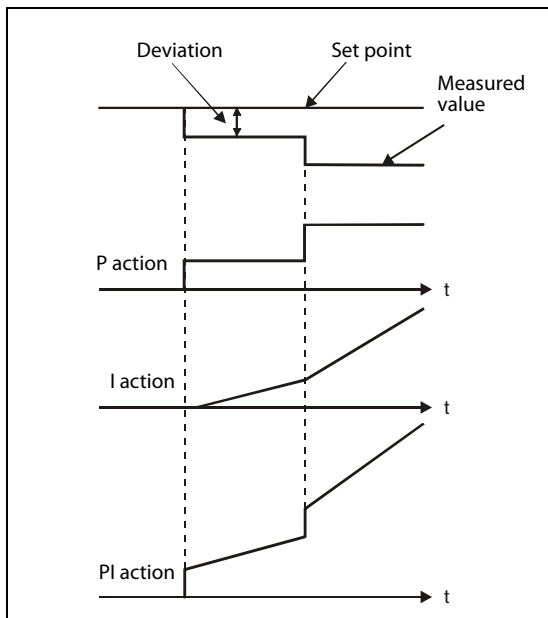
**PID control basic configuration**



**Fig. 6-133:** System configuration when Pr. 128 = 20 or 21 (set/feedback value at the inverter)

**PI action**

A combination of P action (P) and I action (I) for providing a manipulated variable in response to deviation and changes with time.

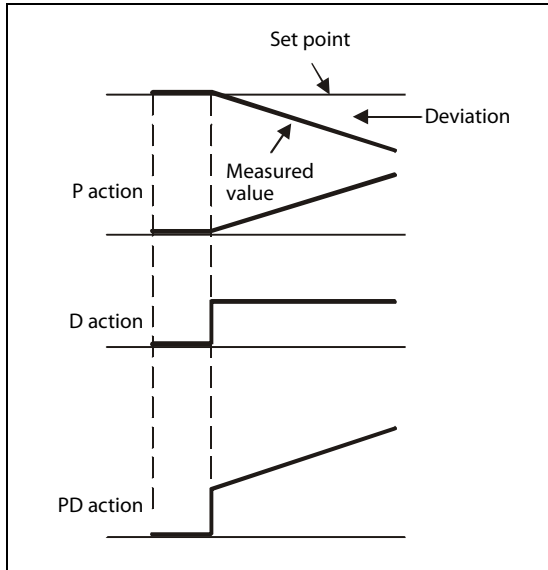


**Fig. 6-134:** Operation example for stepped changes of measured value

1000045C

**PD action**

A combination of P action (P) and differential control action (D) for providing a manipulated variable in response to deviation speed to improve the transient characteristic.

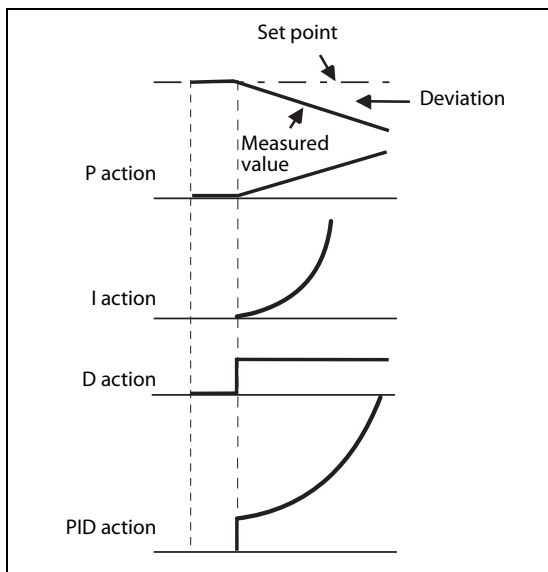


**Fig. 6-135:**  
Operation example for proportional changes of measured value

1000046C

**PID action**

The PI action and PD action are combined to utilize the advantages of both actions for control.



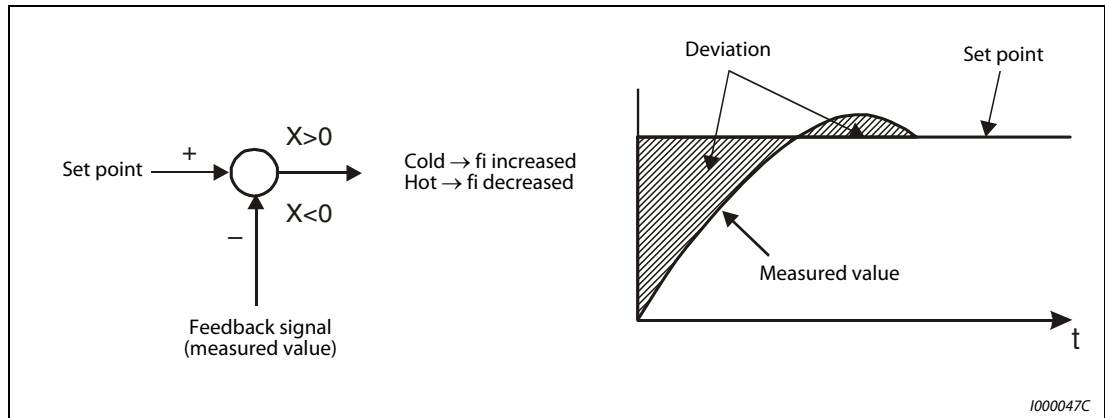
**Fig. 6-136:**  
Operation example for proportional changes of measured value

1001233E



**Reverse action**

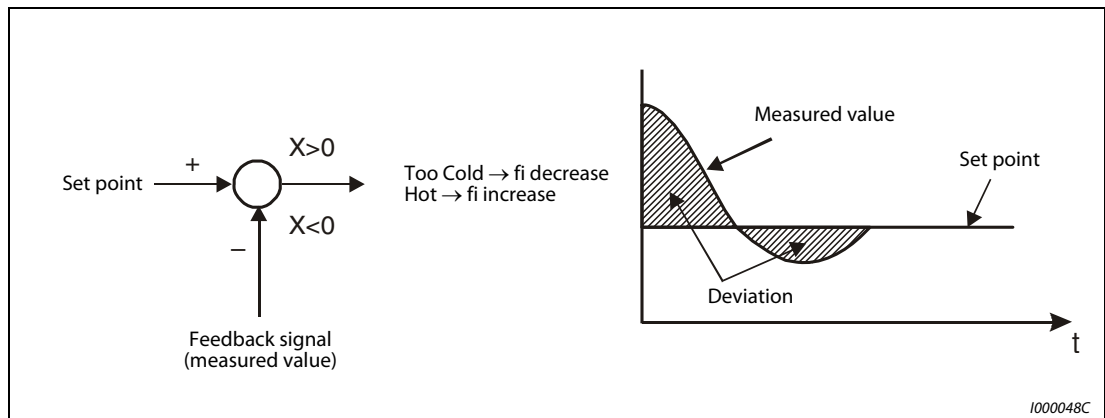
Increases the manipulated variable  $f_i$  (output frequency) if deviation  $X = (\text{set point} - \text{measured value})$  is positive, and decreases the manipulated variable if deviation is negative.



**Fig. 6-137: Heater**

**Forward action**

Increases the manipulated variable (output frequency) if deviation  $X = (\text{set point} - \text{measured value})$  is negative, and decreases the manipulated variable if deviation is positive.



**Fig. 6-138: Cooling**

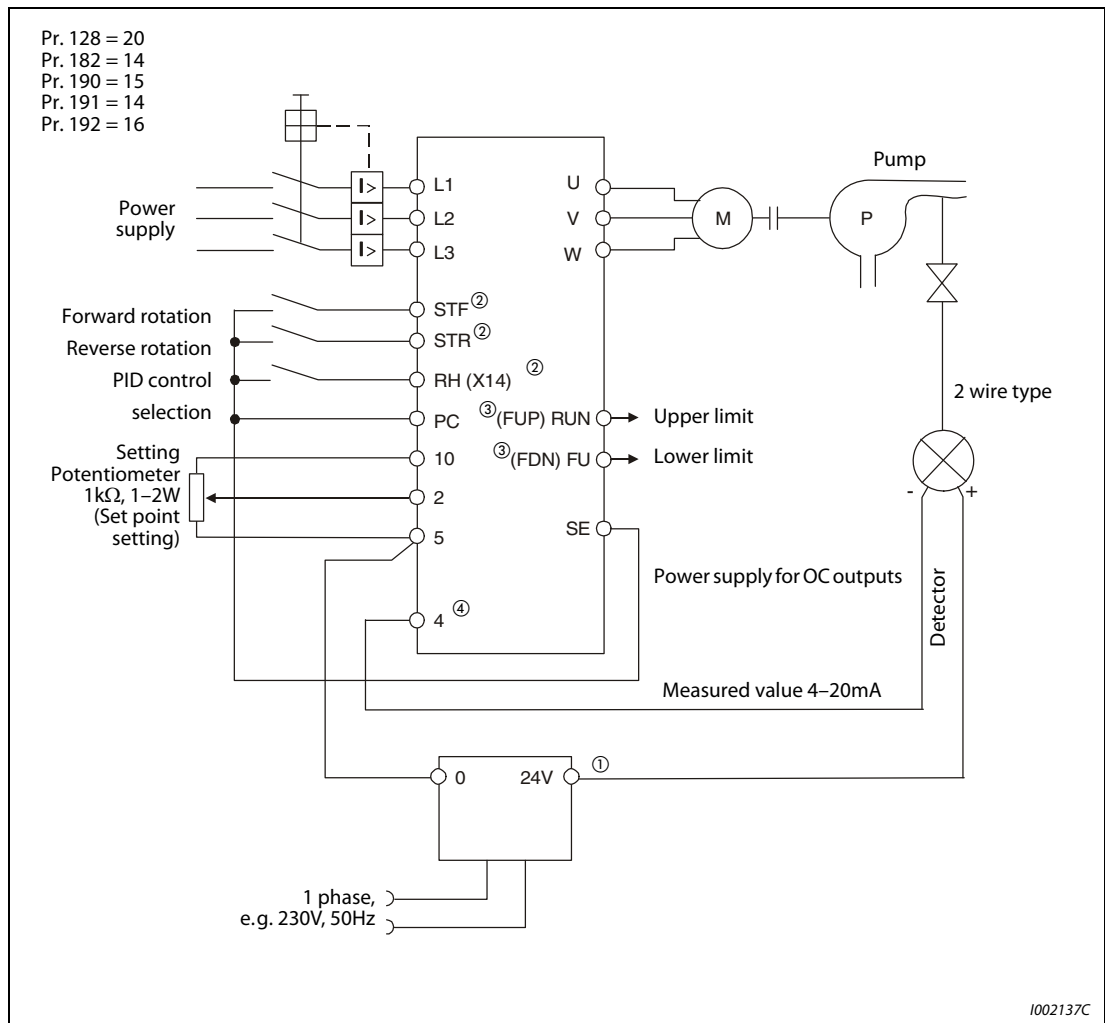
Relationships between deviation and manipulated variable (output frequency).

	Deviation	
	Positive	Negative
Reverse action	↗	↘
Forward action	↘	↗

**Tab. 6-106: Relationships between deviation and manipulated variable**

**Connection diagram**

The following graphic shows a typical application:



**Fig. 6-139:** Connection diagram in source logic

- ① The power supply must be selected in accordance with the power specifications of the detector used.
- ② The used input signal terminal changes depending on the Pr. 178 to Pr. 184 "Input terminal selection" setting.
- ③ The used output signal terminal changes depending on the Pr. 190 to Pr. 192 "Output terminal selection" setting.
- ④ The AU signal need not be input.

**I/O signals and parameter setting**

- ① Set "20, 21, 50, 51, 60 or 61" in Pr. 128 to perform PID operation.
- ② Set "14" in any of Pr. 178 to Pr. 184 "Input terminal function selection" to assign PID control selection signal (X14) to turn the X14 signal on.  
When the X14 signal is not assigned, only the Pr. 128 setting makes PID control valid.
- ③ Enter the set point using the inverter terminal 2 or Pr. 133 and enter the measured value to terminal 4.

**NOTES**

- When Pr. 128 = "0" or X14 signal is off, normal inverter operation is performed without PID action.
- Turning ON/OFF of bit of the terminal, to which X14 signal is assigned through network as RS-485 communication, enables PID control.

Signal	Terminal Used	Function	Description	Parameter Setting	
Input	X14	Depending on Pr. 178-184	PID control selection	Turn on X14 to perform PID control. ①	Set "14" to any of Pr. 178 to Pr. 184.
	2	2	Set point input	Enter the set point for PID control.	Pr. 128 = 20, 21; Pr. 133 = 9999
				0-5V ..... 0-100%	Pr. 73 = 1 ②, 11
				0-10V..... 0-100%	Pr. 73 = 0, 10
	PU	—	Set point input	Set the set value (Pr. 133) from the operation panel.	Pr. 128 = 20, 21; Pr. 133 = 0-100% ⑤
	4	4	Measured value input	Input the signal from the detector (measured value signal).	Pr. 128 = 20, 21
				4-20mA ..... 0-100%	Pr. 267 = 0 ②
				0-5V ..... 0-100%	Pr. 267 = 1
				0-10V..... 0-100%	Pr. 267 = 2
	Communication ③	—	Deviation value input	Input the deviation value from LONWORKS , CC-Link communication.	Pr. 128 = 50, 51
Set value, measured value input			Input the set value and measured value from LONWORKS , CC-Link communication	Pr. 128 = 60, 61	

**Tab. 6-107: I/O signals and parameter settings (1)**

Signal	Terminal Used	Function	Description	Parameter Setting
Output	FUP	Upper limit output	Output to indicate that the measured value signal exceeded the upper limit value (Pr. 131).	Pr. 128 = 20, 21, 60, 61 Pr. 131 ≠ 9999 Set "15" or "115" to any of Pr. 190–Pr. 192. <sup>④</sup>
	FDN	Lower limit output	Output when the measured value signal falls below the lower limit (Pr. 132).	Pr. 128 = 20, 21, 60, 61 Pr. 132 ≠ 9999 Set "14" or "114" to any of Pr. 190–Pr. 192. <sup>④</sup>
	RL	Forward (reverse) rotation direction output	"Hi" is output to indicate that the output indication of the parameter unit is forward rotation (FWD) or "Low" to indicate that it is reverse rotation (REV) or stop (STOP).	Set "16" or "116" to any of Pr. 190–Pr. 192. <sup>④</sup>
	PID	During PID control activated	Turns on during PID control.	Set "47" or "147" to any of Pr. 190–Pr. 192. <sup>④</sup>
	SE	SE	Output terminal common	Common terminal for open collector output terminal.

**Tab. 6-107:** I/O signals and parameter settings (2)

- ① When the X14 signal is not assigned, only the Pr. 128 setting makes PID control valid.
- ② The half-tone screened areas indicate the parameter initial values.
- ③ Refer to the CC-Link communication option (FR-A7NC-Ekit-SC-E) instruction manual for the setting method from CC-Link communication.  
Refer to the LONWORKS communication option (FR-A7NL-Ekit-SC-E) instruction manual for the setting method from LONWORKS communication.
- ④ When "100" or larger value is set to any of Pr. 190 to Pr. 192 "Output terminal function selection", the terminal output has negative logic. (Refer to section 6.10.5 for details.)
- ⑤ If Pr. 133 is used for the set point signal (setting ≠ 9999) any additional set point signal applied to terminals 2-5 will be ignored.

#### NOTES

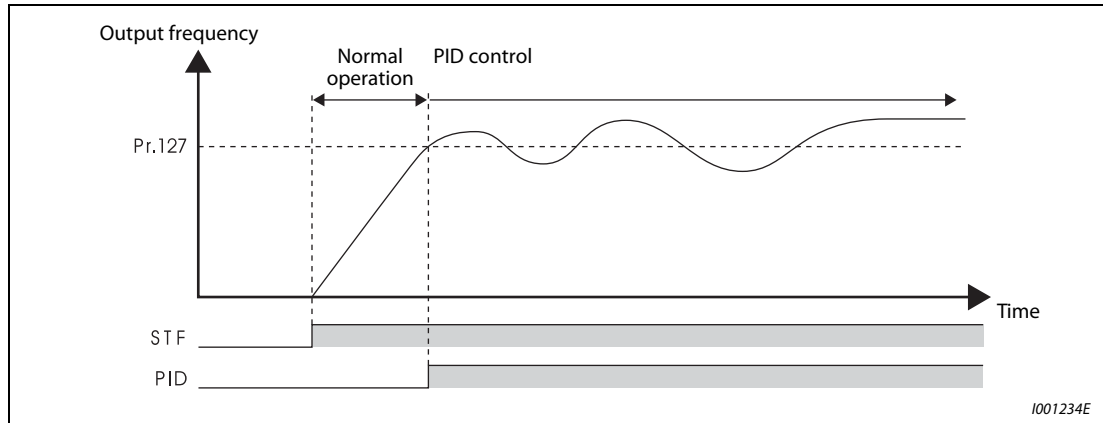
Changing the terminal function using any of Pr. 178 to Pr. 184 and Pr. 190 to Pr. 192 may affect the other functions. Make setting after confirming the function of each terminal.

When the Pr. 267 setting was changed, check the voltage/current input switch setting. Different setting may cause a fault, failure or malfunction. (Refer to page 6-176 for setting.)

**PID control automatic switchover control (Pr. 127)**

For a fast system start-up at an operation start, the system can be started up in normal operation mode only at a start.

When the frequency is set to Pr. 127 "PID control automatic switchover frequency" within the range 0 to 400Hz, the system starts up in normal operation mode from a start until Pr. 127 is reached, and then it shifts to PID control operation mode. Once the system has entered PID control operation, it continues PID control if the output frequency falls to or below Pr. 127.



**Fig. 6-140:** Automatic switchover to PID control

**PID monitor function**

The PID control set point, measured value and deviation value can be displayed on the operation panel and output from terminal AM.

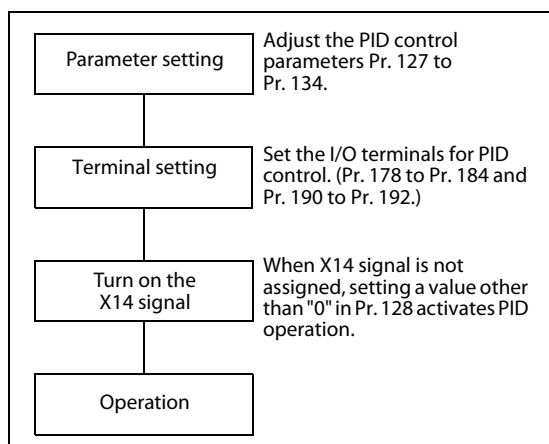
Integral value indicating a negative % can be displayed on the deviation monitor. 0% is displayed as 1000. (The deviation monitor cannot be output from the terminal AM.)

For each monitor, set the following value in Pr. 52 "DU/PU main display data selection" and Pr. 158 "AM terminal function selection".

Setting	Monitor Description	Minimum Increment	Terminal AM Full Scale	Remarks
52	PID set point	0.1%	100%	—
53	PID measurement value	0.1%	100%	
54	PID deviation value	0.1%	—	Value cannot be output from the terminal AM. The PID deviation value of 0% is displayed as 1000.

**Tab. 6-108:** PID monitor function

**Adjustment procedure**

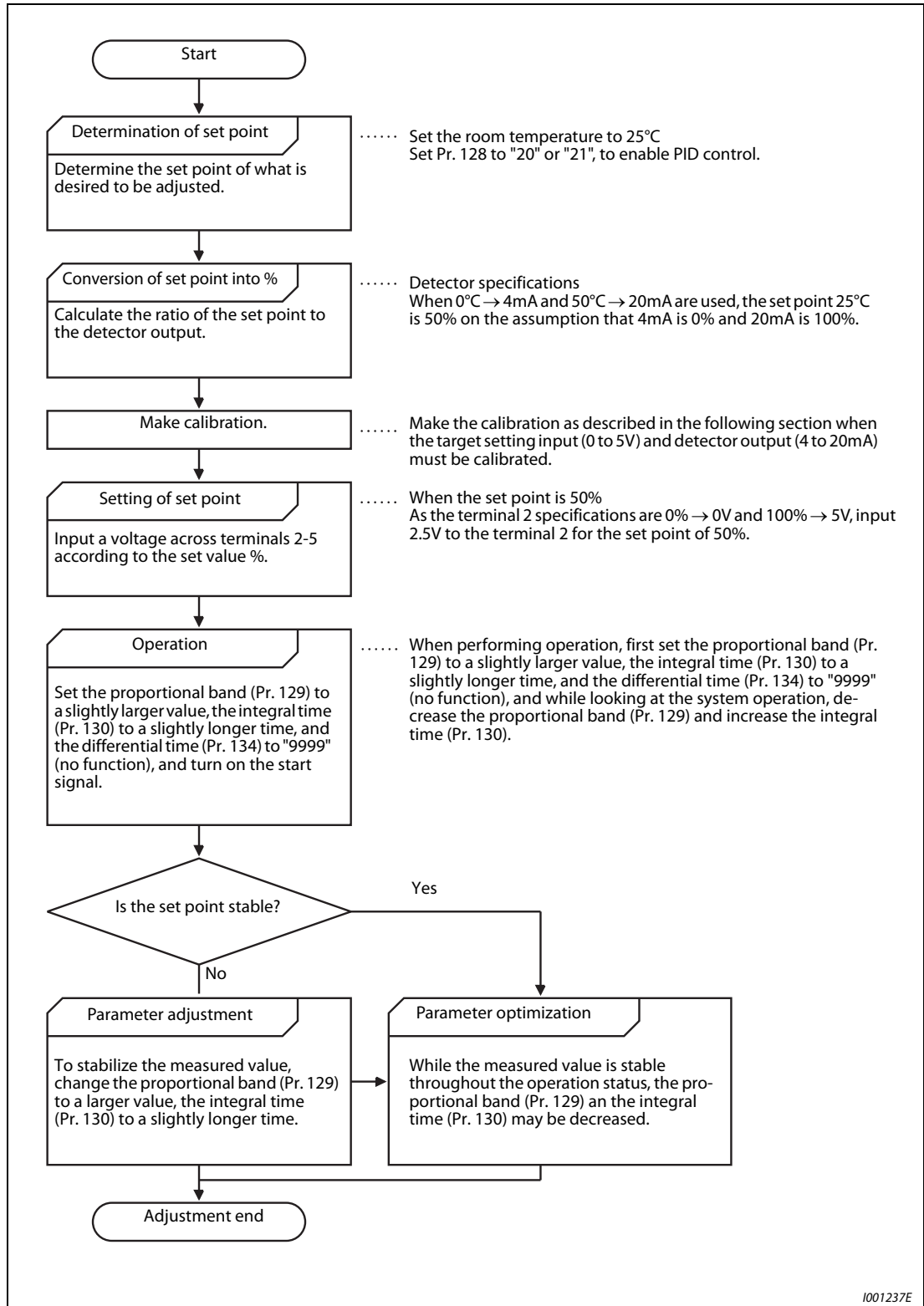


**Fig. 6-141:** Adjustment procedure

**Calibration example**

**Example** ▾

A detector of 4mA at 0°C and 20mA at 50°C is used to adjust the room temperature to 25°C under PID control. The set point is given to across inverter terminals 2-5 (0 to 5V).



**Fig. 6-142: Calibration example**

### Set point input calibration

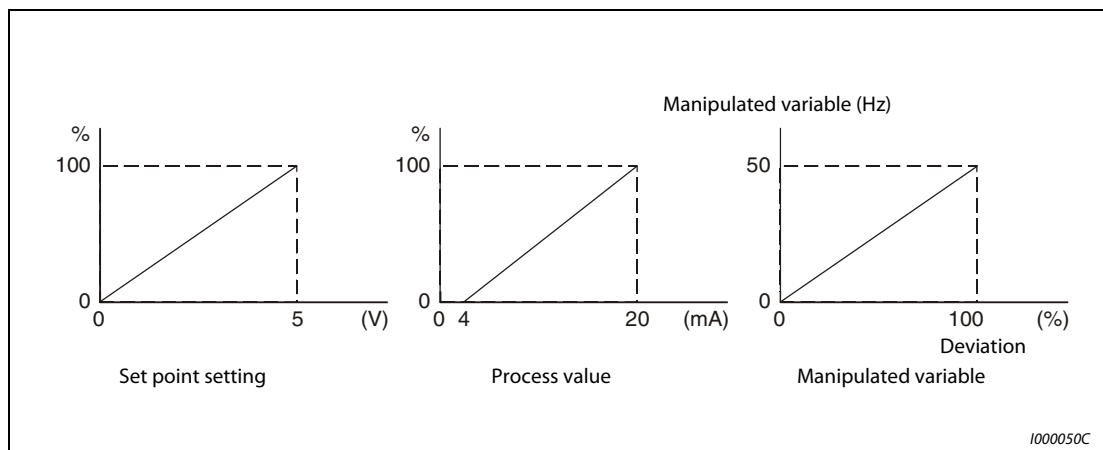
- ① Apply the input voltage of 0% set point setting (e.g. 0V) across terminals 2-5.
- ② Enter in C2 (Pr. 902) the frequency which should be output by the inverter at the deviation of 0% (e.g. 0Hz).
- ③ In C3 (Pr. 902), set the voltage value at 0%.
- ④ Apply the voltage of 100% set point (e.g. 5V) to across terminals 2-5.
- ⑤ Enter in Pr. 125 the frequency which should be output by the inverter at the deviation of 100% (e.g. 50Hz).
- ⑥ In C4 (Pr. 903), set the voltage value at 100%.

### Process value input calibration

- ① Apply the input current of 0% detector setting (e.g. 4mA) across terminals 4-5.
- ② Make calibration of the process value bias (%) using C6 (Pr. 904).
- ③ Apply the input current of 100% detector setting (e.g. 20mA) across terminals 4-5.
- ④ Make calibration of the process value gain (%) using C7 (Pr. 905).

#### NOTE

The frequency set in C5 (Pr. 904) and Pr. 126 should be the same as set in C2 (Pr. 902) and Pr. 125.



**Fig. 6-143:** Input calibration

**NOTES**

If the multi-speed (RH, RM, RL signal) or jog operation (jog signal) is entered with the X14 signal on, PID control is stopped and multi-speed or jog operation is started.

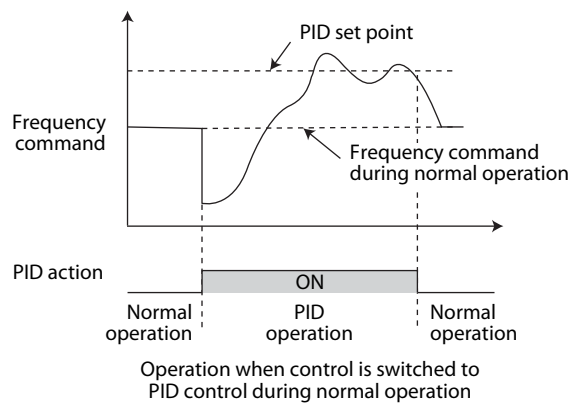
If the setting is as follows, PID control becomes invalid. Pr. 79 "Operation mode selection" = "6" (switchover mode). When the inverter is at a stop with Pr. 261 "Power failure stop selection" selected.

Changing the terminal function using any of Pr. 178 to Pr. 184, Pr. 190 to Pr. 192 may affect the other functions. Make setting after confirming the function of each terminal.

When PID control is selected, the minimum frequency is the frequency set in Pr. 902 and the maximum frequency is the frequency set in Pr. 903. (Pr. 1 "Maximum frequency" and Pr. 2 "Minimum frequency" settings are also valid.)

The remote operation function is invalid during PID operation.

When the control is switched to PID control during normal operation, the frequency command value calculated by PID operation using 0Hz as standard is used without the frequency during the operation.





### 6.20.2 Dancer control (Pr. 44, Pr. 45, Pr. 128 to Pr. 134)

Performs PID control by feedbacking the position detection of the dancer roller, controlling the dancer roller is in the specified position.

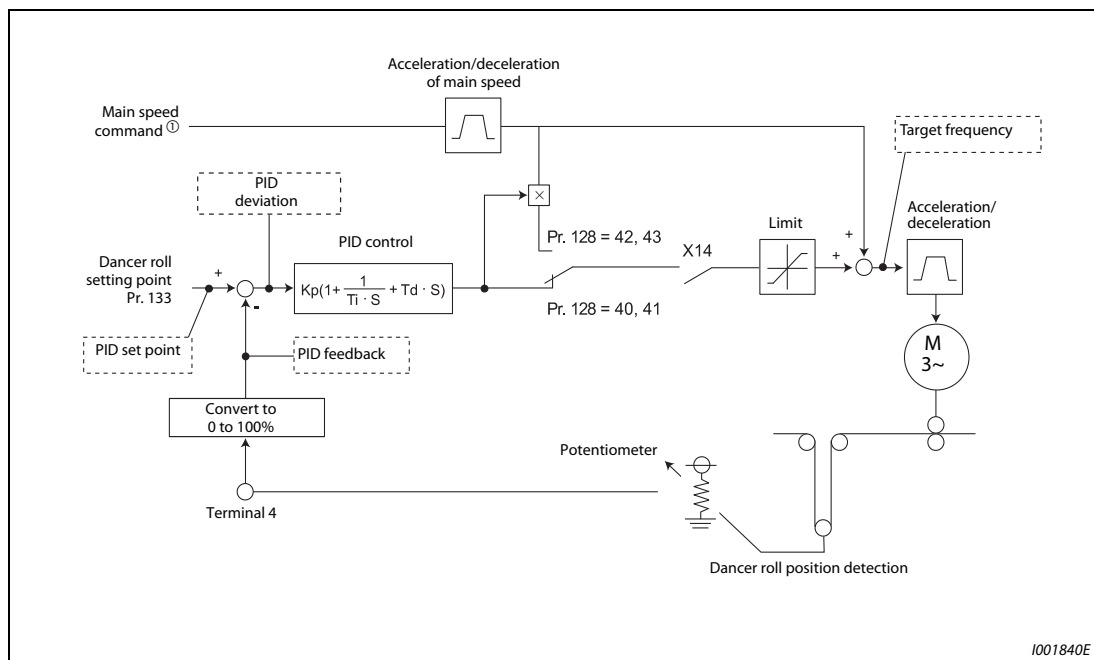
Pr. No.	Name	Initial Value	Setting Range	Description		
44	Second acceleration/ deceleration time	FR-E720S-110SC or less FR-E740-095SC or less	5s	This parameter is the acceleration time of the main speed during dancer control. It will not function as second acceleration/ deceleration time.		
		FR-E740-120SC and 170SC	10s			
		FR-E740-230SC and 300SC	15s			
45	Second deceleration time	9999	0-3600/ 360s	This parameter is the deceleration time of the main speed during dancer control. It will not function as second deceleration time.		
			9999			
128	PID action selection	0	0	PID action is not performed		
			20	PID reverse action	Measured value (terminal 4)	
			21	PID forward action	Set value (terminal 2 or Pr. 133)	
			40	PID reverse action	Addition method: fixed	For dancer control set point (Pr. 133), measured value (terminal 4)
			41	PID forward action		
			42	PID reverse action	Addition method: ratio	main speed (speed command of the operation mode)
			43	PID forward action		
			50	PID reverse action	Deviation value signal input (LONWORKS, CC-Link communication)	
			51	PID forward action		
			60	PID reverse action	Set point and measured value input (LONWORKS, CC-Link communication)	
61	PID forward action					
129	PID proportional band ①	100%	0.1 - 1000%	If the proportional band is narrow (parameter setting is small), the manipulated variable varies greatly with a slight change of the measured value. Hence, as the proportional band narrows, the response sensitivity (gain) improves but the stability deteriorates, e.g. hunting occurs. Gain $K_p = 1/\text{proportional band}$		
			9999	No proportional control		
130	PID integral time ①	1s	0.1 - 3600s	For deviation step input, time (Ti) required for only the integral (I) action to provide the same manipulated variable as that for the proportional (P) action. As the integral time decreases, the set point is reached earlier but hunting occurs more easily.		
			9999	No integral control.		
131	PID upper limit	9999	0-100%	Maximum value If the feedback value exceeds the setting, the FUP signal is output. The maximum input (20mA/5V/10V) of the measured value (terminal 4) is equivalent to 100%.		
			9999	No function		
132	PID lower limit	9999	0-100%	Minimum value If the process value falls below the setting range, the FDN signal is output. The maximum input (20mA/5V/10V) of the measured value (terminal 4) is equivalent to 100%.		
			9999	No function		
133	PID action set point ①	9999	0-100%	Used to set the set point for PID control.		
			9999	Always 50%		
134	PID differential time ①	9999	0.01 - 10.00s	For deviation ramp input, time (Td) required for providing only the manipulated variable for the proportional (P) action. As the differential time increases, greater response is made to a deviation change.		
			9999	No differential control.		

Parameters referred to	Refer to Section
59 Remote function selection	6.6.3
73 Analog input selection	6.16.1
79 Operation mode selection	6.18.1
178-184 Input terminal function selection	6.10.1
190-192 Output terminal function selection	6.10.5
C2 (Pr. 902) Frequency setting - voltage (current)	6.16.3
C7 (Pr. 905) bias/gain	

The above parameters can be set when Pr. 160 "User group read selection" = 0.

① This parameter allows its setting to be changed during operation in any operation mode even if "0" (initial value) is set in Pr. 77 "Parameter write selection".

**Dancer control block diagram**



**Fig. 6-144:** Dancer control block diagram

- ① The main speed can be selected from all operation mode such as external (analog voltage input, multi-speed), PU (digital frequency setting), communication (RS-485, CC-Link).

**Set point and measured value of PID control**

	Input	Input Signal	Pr. 267	Current/Voltage Input Switch
Set point	Pr. 133	0-100%	—	—
Measured value	When measured value is input as current (4 to 20mA).	4mA ... 0%, 20mA ... 100%	0	
	When measured value is input as voltage (0 to ±5V or 0 to ±10V).	0V ... 0%, 5V ... 100%	1	
0V ... 0%, 10V ... 100%		2		

**Tab. 6-109:** Set point and measured value of PID control

**NOTES**

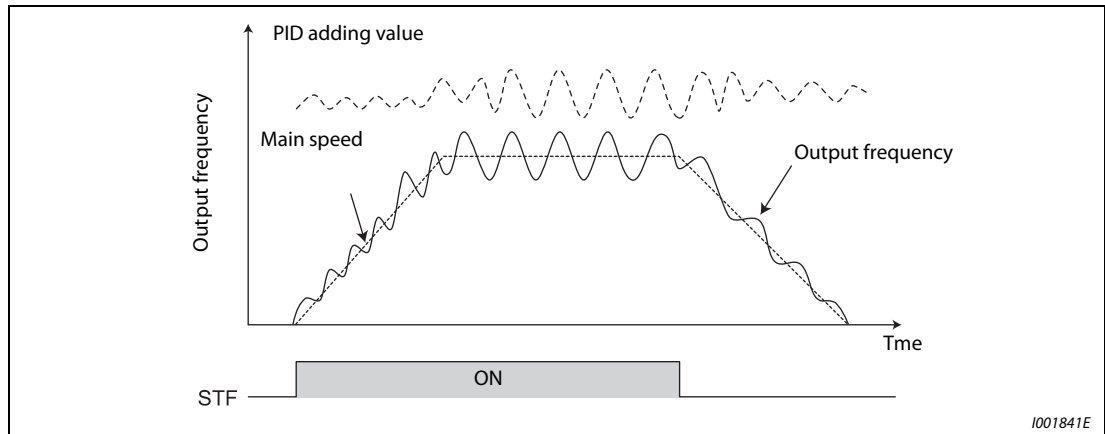
Changing the terminal function using any of Pr. 178 to Pr. 184 may affect the other functions. Make setting after confirming the function of each terminal.

When the Pr. 267 setting was changed, check the voltage/current input switch setting. Different setting may cause a fault, failure or malfunction. (Refer to page 6-176 for setting.)

**Dancer control overview**

Performs dancer control by setting 40 to 43 in Pr. 128 "PID action selection". The main speed command is the speed command of each operation mode (external, PU, Network). Performs PID control by the position detection signal of the dancer roller, then the result is added to the main speed command. For acceleration/deceleration of the main speed, set the acceleration time in Pr. 44 "Second acceleration/deceleration time" and the deceleration time in Pr. 45 "Second deceleration time".

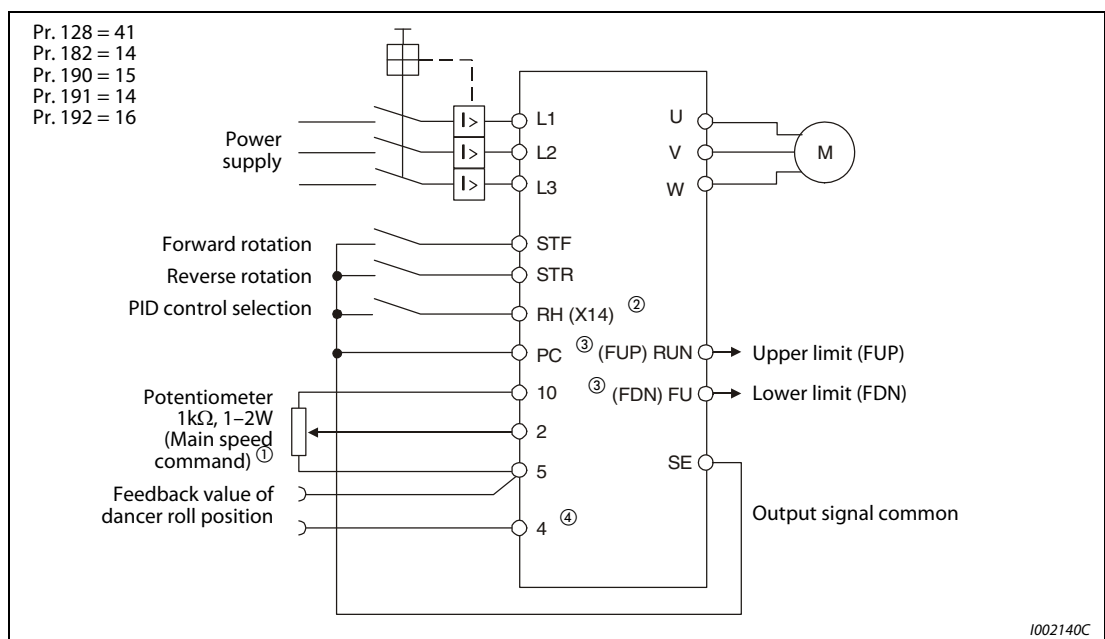
Set 0s normally to Pr. 7 "Acceleration time" and Pr. 8 "Deceleration time". When the Pr. 7 and Pr. 8 setting is large, response of dancer control during acceleration/deceleration is slow.



**Fig. 6-145:** Signal overlay during dancer control

**Connection diagram**

The following figure shows a typical application example:



**Fig. 6-146:** Example in source logic

- ① The main speed command differs according to each operation mode (external, PU, communication).
- ② The used output signal terminal changes depending on the Pr. 190 to Pr. 192 "Output terminal selection" setting.
- ③ The used input signal terminal changes depending on the Pr. 178 to Pr. 184 "Input terminal selection" setting.
- ④ The AU signal need not be input.

**I/O signals and parameter setting**

- ① Set "40 to 43" in Pr. 128 to perform dancer control.
- ② Set "14" in any of Pr. 178 to Pr. 184 "Input terminal function selection" to assign PID control selection signal (X14) to turn the X14 signal on.  
When the X14 signal is not assigned, only the Pr. 128 setting makes dancer control valid.
- ③ Input the set point using Pr. 133, then input the measured value signal (dancer roller position detection signal) across terminal 4 and 5 of the inverter.

**NOTES**

When Pr. 128 = "0" or X14 signal is off, normal inverter operation is performed without dancer control.

Turning ON/OFF of bit of the terminal, to which X14 signal is assigned through network as RS-485 communication, enables dancer control.

	Signal	Terminal Used	Function	Description	Parameter Setting	
Input	X14	Depending on Pr. 178-184	PID control selection	Turn on X14 signal to perform dancer control. ①	Set "14" in any of Pr. 178 to Pr. 184.	
	4	4	Measured value input	Input the signal from the dancer roller detector (measured value signal).	Pr. 128 = 40, 41, 42, 43	
					4-20mA .....0-100%	Pr. 267 = 0 ②
					0-5V .....0-100%	Pr. 267 = 1
0-10V .....0-100%					Pr. 267 = 2	
Output	FUP	Depending on Pr. 190-192	Upper limit output	Output to indicate that the measured value signal exceeded the maximum value (Pr. 131).	Pr. 128 = 40, 41, 42, 43 Pr. 131 ≠ 9999 Set "15" or "115" in any of Pr. 190 to Pr. 192. ③	
	FDN		Lower limit output	Output when the measured value signal falls below the minimum value (Pr. 132).	Pr. 128 = 40, 41, 42, 43 Pr. 132 ≠ 9999 Set "14" or "114" in any of Pr. 190 to Pr. 192. ③	
	RL		Forward (reverse) rotation direction output	Output is "ON" when the output indication of the parameter unit is forward rotation (FWD) and "OFF" when reverse rotation (REV) or stop (STOP).	Set "16" or "116" in any of Pr. 190 to Pr. 192. ③	
	PID		During PID control activated	Turns on during PID control.	Set "47" or "147" in any of Pr. 190 to Pr. 192. ③	
	SE	SE	Output terminal common	Common terminal for open collector output terminal.		

**Tab. 6-110: I/O signals and parameter setting**

- ① When the X14 signal is not assigned, only the Pr. 128 setting makes dancer control valid.
- ② The half-tone screened areas indicate the parameter initial values.
- ③ When 100 or larger value is set in any of Pr. 190 to Pr. 192 "Output terminal function selection", the terminal output has negative logic. (For details, refer to section 6.10.5.)

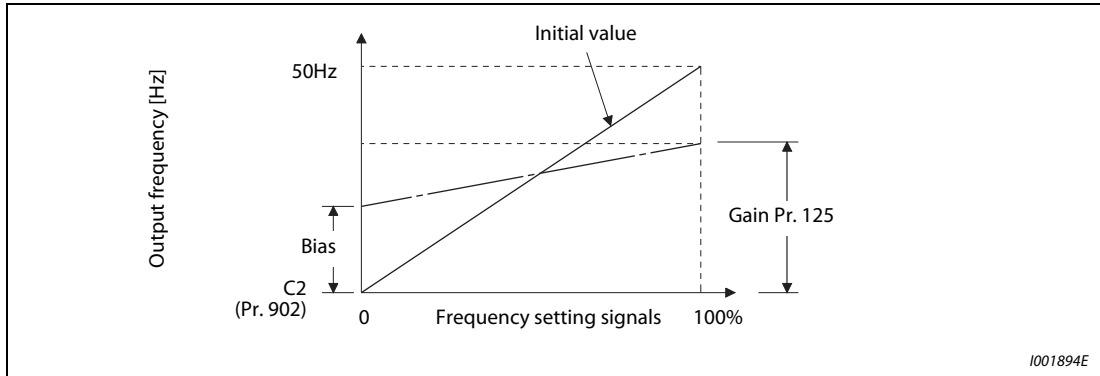
**NOTES**

Changing the terminal function using any of Pr. 178 to Pr. 184 and Pr. 190 to Pr. 192 may affect the other functions. Make setting after confirming the function of each terminal.

When the Pr. 267 setting was changed, check the voltage/current input switch setting. Different setting may cause a fault, failure or malfunction. (Refer to page 6-176 for setting.)

**Parameter details**

When ratio (Pr. 128 = 42, 43) is selected for addition method, PID control  $\times$  (ratio of main speed) is added to the main speed. The ratio is determined by the Pr. 125 "Terminal 2 frequency setting gain frequency" and C2 (Pr. 902) "Terminal 2 frequency setting bias frequency". The frequency setting signal is set to 0 to 50Hz in the range between 0 to 100% in the initial setting. The ratio is ( $\times 100\%$ ) when the main speed is 50Hz and ( $\times 50\%$ ) when 25Hz.



**Fig. 6-147:** Signal calibration at terminal 2

**NOTES**

- Even when C4 (Pr. 903) is set to other than 100%, the frequency setting signal is considered as 100%.
- Even when C3 (Pr. 903) is set to other than 0%, the frequency setting signal is considered as 0%.
- When C2 (Pr. 902) is set to other than 0Hz, the frequency setting signal is 0% when C2 (Pr. 902) is less than the set frequency.

Turning X14 signal on/off during operation by assigning X14 signal results in the following operation.

- When X14 signal is on: Uses output frequency unchanged as the main speed command and continues operation by dancer control.
- When X14 signal is off: Ends dancer control and continues operation at the set frequency made valid.

Pr. 128	PID Action	Addition Method	Set Point	Measured Value	Main Speed Command
40	Reverse action	Fixed	Pr. 133	Terminal 4	Speed command for each operation mode
41	Forward action				
42	Reverse action	Ratio			
43	Forward action				

**Tab. 6-111:** PID control in dependence of parameter 128

Action of Pr. 129 "PID proportional band", Pr. 130 "PID integral time", Pr. 131 "PID upper limit", Pr. 132 "PID lower limit", Pr. 134 "PID differential time is the same as PID control. For the relationship of controlled variable (%) of PID control and frequency, 0% is equivalent to the set frequency of Pr. 902 and 100% to Pr. 903.

For the Pr. 133 "PID action set point" setting, set frequency of Pr. 902 is equivalent to 0% and Pr. 903 to 100%. When 9999 is set in Pr. 133, 50% is the set point.

**NOTE**

- Pr. 127 "PID control automatic switchover frequency" is invalid.

### Output signal

Output terminal assignment during dancer control (PID control) operation  
 PID signal turns on during dancer control (PID control) or at a stop by PID control (in the status PID operation being performed inside) (The signal is off during normal operation.)

For the terminal used for PID signal output, assign the function by setting "47 (positive logic) or 147 (negative logic)" in any of Pr. 190 to Pr. 192 "Output terminal function selection".

#### NOTE

Changing the terminal function using any of Pr. 178 to Pr. 184, Pr. 190 to Pr. 192 may affect the other functions. Make setting after confirming the function of each terminal.

### PID monitor function

The PID control set point and measured value can be output to the operation panel monitor display and terminal AM.

For each monitor, set the following value in Pr. 52 "DU/PU main display data selection" and Pr. 158 "AM terminal function selection".

Setting	Monitor Description	Minimum Increments	Terminal AM Full Scale	Remarks
52	PID set point	0.1%	100%	—
53	PID measured value	0.1%	100%	
54	PID deviation value	0.1%	—	Value cannot be output from the terminal AM. The PID deviation value of 0% is displayed as 1000.

**Tab. 6-112:** PID monitor function

### Priorities of main speed command

The priorities of the main speed speed command source when the speed command source is external are as follows.

JOG signal > multi-speed setting signal (RL/RM/RH/REX) > 16 bit digital input (option) > terminal 2

The priorities of the main speed speed command source when "3" is set in Pr. 79.

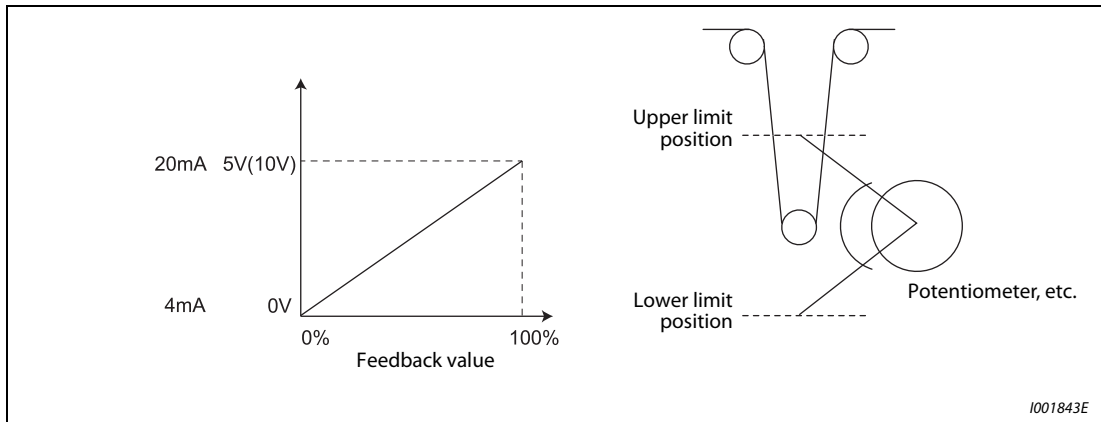
Multi-speed setting signal (RL/RM/RH/REX) > set frequency (digital setting by PU, operation panel)

Terminal 4 can not be selected as the main speed speed command even when AU terminal is turned on.

Even when a remote operation function is selected by setting a value other than "0" in Pr. 59, compensation of the remote setting frequency to the main speed is ignored (changes to 0).

### Dancer roller position detection signal adjustment

When terminal 4 input is voltage input, 0V is minimum position and 5V (10V) is maximum position. When current is input, 4mA is minimum position and 20mA is maximum position (initial value). When 0 to 7V is output from the potentiometer, it is necessary to calibrate C7 (Pr. 905) at 7V.



**Fig. 6-148:** Dancer roller position detection signal adjustment

#### Example ▾

Control at a dancer center position using a 0 to 7V potentiometer

- ① After changing the current/voltage input switch to "V", set "2" in Pr. 267 to change terminal 4 input to voltage input.
- ② Input 0V to across terminal 4 and 5 to calibrate C6 (Pr. 904). (% display displayed at analog calibration is irrelevant to % of the feed back value.)
- ③ By inputting 7V to across terminal 4 to 5, calibrate C7 (Pr. 905). (% display displayed at analog calibration is irrelevant to % of the feed back value.)
- ④ Set 50% in Pr. 133.

#### NOTE

When the Pr. 267 setting was changed, check the voltage/current input switch setting. Different setting may cause a fault, failure or malfunction. (Refer to page 6-176 for setting.)

△

**NOTES**

In normal PID control, PID control is stopped when multi-speed operation signal (RH, RM, RL, REX signal) or JOG signal is input. In dancer control, however, PID control continues handling the signals as the main speed.

During dancer control, Second acceleration/deceleration time of Pr. 44 and Pr. 45 are the parameters for acceleration/deceleration time setting to the main speed command source. They do not function as the second function.

When switchover mode is set with "6" in Pr. 79, dancer control (PID control) is invalid.

Speed command of terminal 4 input from terminal AU is invalid when dancer control is selected.

Acceleration/deceleration of the main speed command is the same operation as when frequency command is increased/decreased by analog input.

- Therefore, SU signal remains on even if the starting signal is turned on/off (always in the constant speed state).
- The DC brake operation starting frequency when turning off the starting signal is not Pr. 10 but a smaller value of either Pr. 13 or 0.5Hz.
- The set frequency monitor is always variable as "main speed command+PID control".

The main speed setting frequency accelerates for the acceleration/deceleration time set in Pr. 44 and Pr. 45 and the output frequency accelerates/decelerates for the acceleration/deceleration time set in Pr. 7 and Pr. 8. Therefore, when the set time of Pr. 7 and Pr. 8 is longer than Pr. 44 and Pr. 45, the output frequency accelerates/decelerates for the acceleration/deceleration time set in Pr. 7 and Pr. 8.

For the integral term limit, a smaller value of either the PID manipulated variable (%) value converted from the linear, interpolated Pr. 1 "Maximum frequency" with Pr. 902 and Pr. 903, or 100% is used for limit. Although the output frequency is limited by the minimum frequency, operation limit of the integral term is not performed.



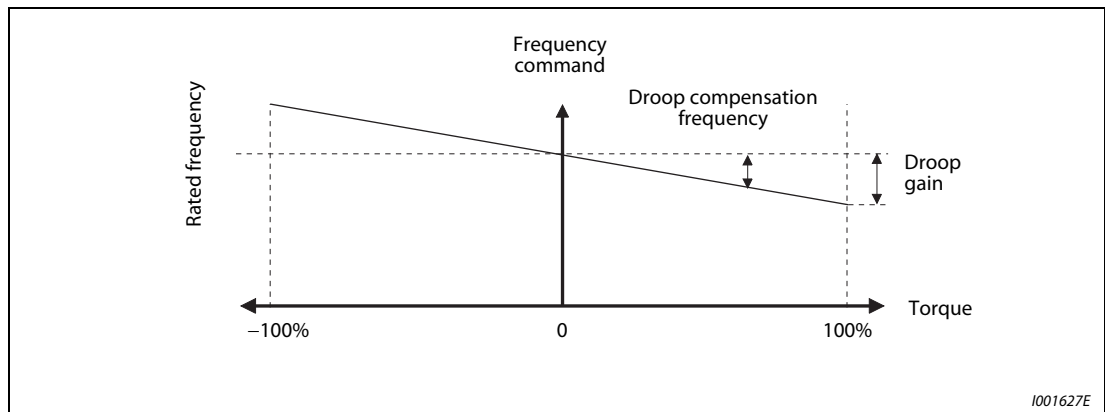
### 6.20.3 Droop control (Pr. 286 to Pr. 287) AD MFVC

This function is designed to balance the load in proportion to the load torque to provide the speed drooping characteristic under advanced magnetic flux vector control. This function is effective for balancing the load when using multiple inverters.

Pr. No.	Name	Initial Value	Setting Range	Description	Parameters referred to	Refer to Section
286	Droop gain	0%	0	Droop control is invalid (Normal operation)	1 Maximum frequency PID control	6.4.1 6.20.1
			0.1–100%	Droop control is valid Drooping amount at the rated torque as a percentage with respect to the rated motor frequency.		
287	Droop filter time constant	0.3s	0–1s	Time constant of the filter applied on the torque current.		

The output frequency is changed according to the magnitude of torque current under advanced magnetic flux vector control. The drooping amount at the rated torque is set by the droop gain as a percentage using the rated frequency as a reference.

The maximum droop compensation frequency is 120Hz.



**Fig. 6-149:** Droop control

$$\text{Droop compensation frequency} = \frac{\text{Torque current after filtering}}{\text{Rated value of base frequency}} \times \frac{\text{Rated motor frequency} \times \text{Droop gain}}{100}$$

**NOTES**

Set the droop gain to about the rated slip of the motor.

$$\text{Rated slip} = \frac{\text{Synchronous speed at base frequency} - \text{Rated speed}}{\text{Synchronous speed at base frequency}} \times 100 [\%]$$

Droop control is invalid during PID control operation.

The maximum value of frequency after droop compensation is either 120Hz or Pr. 1 "Maximum frequency", whichever is smaller.

## 6.20.4 Regeneration avoidance function (Pr. 665, Pr. 882, Pr. 883, Pr. 885, Pr. 886)

This function detects a regeneration status and increases the frequency to avoid the regeneration status.

Possible to avoid regeneration by automatically increasing the frequency and continue operation if the fan happens to rotate faster than the set speed due to the effect of another fan in the same duct.

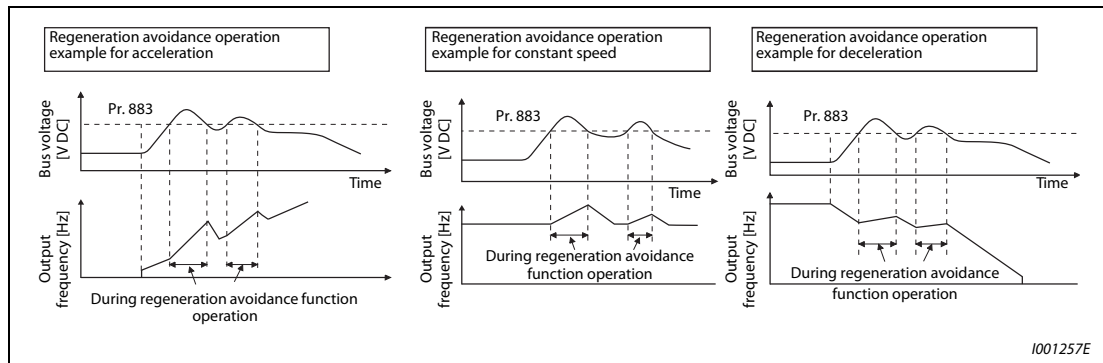
Pr. No.	Name	Initial Value		Setting Range	Description	Parameters referred to	Refer to Section
882	Regeneration avoidance operation selection	0		0	Regeneration avoidance function invalid	1 Maximum frequency 8 Deceleration time 22 Stall prevention operation level	6.4.1 6.7.1 6.3.5
				1	Regeneration avoidance function is always valid		
				2	Regeneration avoidance function is valid only during a constant speed operation		
883	Regeneration avoidance operation level	200V class	400V	300–800V	Set the bus voltage level at which regeneration avoidance operates. When the bus voltage level is set to low, overvoltage error will be less apt to occur. However, the actual deceleration time increases. The set value must be higher than the power supply voltage $\times \sqrt{2}$ .		
		400V class	780V				
885	Regeneration avoidance compensation frequency limit value	6Hz		0–10Hz	Set the limit value of frequency which rises at activation of regeneration avoidance function.		
				9999	Frequency limit invalid		
886	Regeneration avoidance voltage gain	100%		0–200%	Responsiveness at activation of regeneration avoidance. A larger setting will improve responsiveness to the bus voltage change. However, the output frequency could become unstable. When vibration is not suppressed by decreasing the Pr. 886 setting, set a smaller value in Pr. 665.		
665	Regeneration avoidance frequency gain	100%		0–200%			

The above parameters can be set when Pr. 160 "User group read selection" = 0.

### What is regeneration avoidance function? (Pr. 882, Pr. 883)

When the regeneration status is serious, the DC bus voltage rises and an overvoltage alarm (E.OV□) may occur. When this bus voltage rise is detected and the bus voltage level reaches or exceeds Pr. 883, increasing the frequency avoids the regeneration status.

The regeneration avoidance function is always on when "1" is set in Pr. 882 and activated only during a constant speed when "2" is set in Pr. 882.



**Fig. 6-150:** Regeneration avoidance function

#### NOTES

The inclination of the frequency increased or decreased by the regeneration avoidance function changes depending on the regeneration status.

The DC bus voltage of the inverter is normally about  $\sqrt{2}$  times greater than the input voltage (when the input voltage is 220V, the bus voltage is about 311V DC and when the input voltage is 440V AC, the bus voltage is about 622V DC). However, it varies with the input power supply waveform.

The Pr. 883 setting should be kept higher than the DC bus voltage level. Otherwise, the regeneration avoidance function is always on.

While overvoltage stall (oL) stops the output frequency during deceleration, the regeneration avoidance function is always on and increases the frequency according to the regeneration amount.

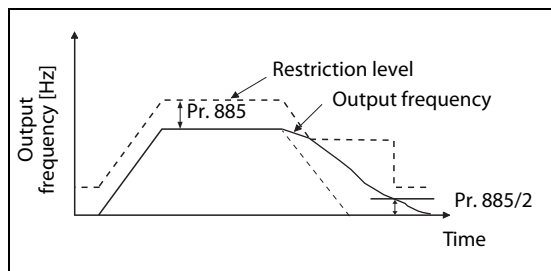
**Limit regeneration avoidance operation frequency (Pr. 885)**

You can limit the output frequency compensated for (increased) by the regeneration avoidance function.

The frequency is limited to the output frequency (frequency prior to regeneration avoidance operation) + Pr. 885 "Regeneration avoidance compensation frequency limit value" during acceleration or constant speed. If the regeneration avoidance frequency exceeds the limit value during deceleration, the limit value is held until the output frequency falls to 1/2 of Pr. 885.

When the regeneration avoidance frequency has reached Pr. 1 "Maximum frequency", it is limited to the maximum frequency.

When Pr. 885 is set to "9999", the frequency setting is invalid.



**Fig. 6-151:**  
Limit the output frequency

1001260E

**Regeneration avoidance function adjustment (Pr. 665, Pr. 886)**

If the frequency becomes unstable during regeneration avoidance operation, decrease the setting of Pr. 886 "Regeneration avoidance voltage gain". Reversely, if sudden regeneration causes an overvoltage alarm, increase the setting.

When vibration is not suppressed by decreasing the Pr. 886 setting, set a smaller value in Pr. 665 "Regeneration avoidance frequency gain".

**NOTES**

When regeneration avoidance operation is performed, "oL" (overvoltage stall) is displayed and the OL signal is output. Set the operation pattern at an OL signal output using Pr. 156 "Stall prevention operation selection". Set the output timing of the OL signal using Pr. 157 "OL signal output timer".

When regeneration avoidance operation is performed, stall prevention is also activated at the same time.

The regeneration avoidance function cannot shorten the actual deceleration time taken to stop the motor. The actual deceleration time depends on the regeneration energy consumption capability. When shortening the deceleration time, consider using the regeneration unit (FR-BU2, FR-CV, FR-HC) and brake resistor (FR-ABR etc.) to consume regeneration energy at constant speed.

When using the regeneration unit (FR-BU2, FR-CV, FR-HC) and brake resistor (FR-ABR etc.), set Pr. 882 to "0" (initial value) (regeneration avoidance function invalid). When using the regeneration unit, etc. to consume regeneration energy at deceleration, set Pr. 882 to "2" (regeneration avoidance function valid only at a constant speed).

## 6.21 Useful functions

Purpose	Parameters that must be set		Refer to Section
To determine the maintenance time of parts.	Cooling fan operation selection	Pr. 244	6.21.1
	Inverter part life display	Pr. 255–Pr. 259	6.21.2
	Maintenance output function	Pr. 503–Pr. 504	6.21.3
Freely available parameter	Current average value monitor signal	Pr. 555–Pr. 557	6.21.4
Increase cooling fan life	Free parameter	Pr. 888–Pr. 889	6.21.5

### 6.21.1 Cooling fan operation selection (Pr. 244)

You can control the operation of the cooling fan (FR-E720S-050SC or more, FR-E740-040SC or more) built in the inverter.

Pr. No.	Name	Initial Value	Setting Range	Description	Parameters referred to	Refer to Section
244	Cooling fan operation selection	1	0	Operates at power on Cooling fan on/off control invalid (The cooling fan is always on at power on)	190–192 Output terminal function selection	6.10.5
			1	Cooling fan on/off control valid The fan is always on while the inverter is running. During a stop, the inverter status is monitored and the fan switches on-off according to the temperature of the heatsink.		

The above parameter can be set when Pr. 160 "User group read selection" = 0.

In either of the following cases, fan operation is regarded as faulty, "FN" is shown on the operation panel, and the fan fault "FAN" and alarm "LF" signals are output.

Pr. 244 = "0"

When the fan comes to a stop with power on.

Pr. 244 = "1"

When the fan stops during the fan ON command while the inverter is running.

For the terminal used for FAN signal output, set "25" (source logic) or "125" (sink logic) to any of Pr. 190 to Pr. 192 "Output terminal function selection", and for the LF signal, set "98" (source logic) or "198" (sink logic).

#### NOTE

When terminal assignment is changed using Pr. 190 to Pr. 192 "Output terminal function selection", the other functions may be affected. Please make setting after confirming the function of each terminal.

## 6.21.2 Display of the life of the inverter parts (Pr. 255 to Pr. 259)

Degrees of deterioration of main circuit capacitor, control circuit capacitor, cooling fan and inrush current limit circuit and can be diagnosed by monitor.

When any part has approached the end of its life, an alarm can be output by self diagnosis to prevent a fault. (Use the life check of this function as a guideline since the life except the main circuit capacitor is calculated theoretically.) For the life check of the main circuit capacitor, the alarm signal (Y90) will not be output if a measuring method shown on page 6-305 is not performed.

Pr. No.	Name	Initial Value	Setting Range	Description	Parameters referred to	Refer to Section
<b>255</b>	Life alarm status display	0	(0–15)	Display whether the control circuit capacitor, main circuit capacitor, cooling fan, and each parts of the inrush current limit circuit has reached the life alarm output level or not. Reading only	190–192 Output terminal function selection	6.10.5
<b>256</b>	Inrush current limit circuit life display	100%	(0–100%)	Display the deterioration degree of the inrush current limit circuit. Reading only		
<b>257</b>	Control circuit capacitor life display	100%	(0–100%)	Display the deterioration degree of the control circuit capacitor. Reading only		
<b>258</b>	Main circuit capacitor life display	100%	(0–100%)	Display the deterioration degree of the main circuit capacitor. Reading only The value measured by Pr. 259 is displayed.		
<b>259</b>	Main circuit capacitor life measuring	0	0/1 (2/3/8/9)	Setting "1" and switching the power supply off starts the measurement of the main circuit capacitor life (refer to the following pages). When the Pr. 259 value is "3" after powering on again, the measuring is completed. Read the deterioration degree in Pr. 258.		

The above parameters can be set when Pr. 160 "User group read selection" = 0.

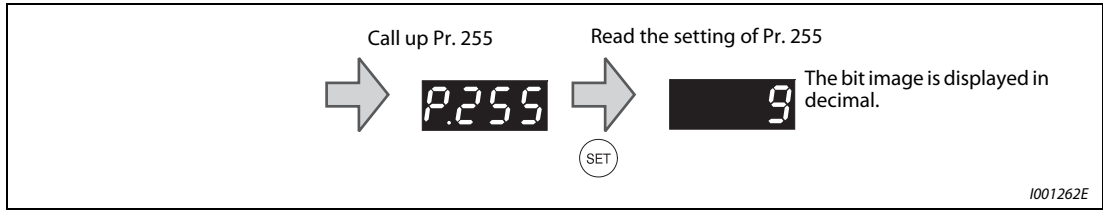
### NOTE

Since repeated inrush currents at power ON will shorten the life of the converter circuit, frequent starts and stops of the magnetic contactor must be avoided.

**Life alarm display and signal output (Y90 signal, Pr. 255)**

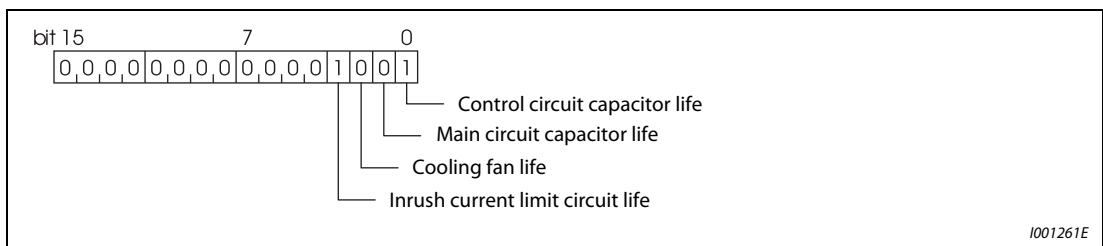
Whether any of the control circuit capacitor, main circuit capacitor, cooling fan and inrush current limit circuit has reached the life alarm output level or not can be checked by Pr. 255 "Life alarm status display" and life alarm signal (Y90).

- ① Read the setting of parameter 255.



**Fig. 6-152:** Read parameter 255

- ② When the life alarm output level is reached, the bits are set as follows.



**Fig. 6-153:** Bits of parameter 255

Pr. 255 (Decimal)	Bits (Binary)	Inrush Current Limit Circuit Life	Cooling Fan Life	Main Circuit Capacitor Life	Control Circuit Capacitor Life
15	1111	✓	✓	✓	✓
14	1110	✓	✓	✓	—
13	1101	✓	✓	—	✓
12	1100	✓	✓	—	—
11	1011	✓	—	✓	✓
10	1010	✓	—	✓	—
9	1001	✓	—	—	✓
8	1000	✓	—	—	—
7	0111	—	✓	✓	✓
6	0110	—	✓	✓	—
5	0101	—	✓	—	✓
4	0100	—	✓	—	—
3	0011	—	—	✓	✓
2	0010	—	—	✓	—
1	0001	—	—	—	✓
0	0000	—	—	—	—

**Tab. 6-113:** Displaying the end of service life by bits

✓: End of the service life is reached

—: End of the service life is not reached

The life alarm signal (Y90) turns on when any of the control circuit capacitor, main circuit capacitor, cooling fan and inrush current limit circuit reaches the life alarm output level.

For the terminal used for the Y90 signal, set "90" (source logic) or "190" (sink logic) to any of Pr. 190 to Pr. 192 "Output terminal function selection".

#### NOTE

When terminal assignment is changed using Pr. 190 to Pr. 192 "Output terminal function selection", the other functions may be affected. Please make setting after confirming the function of each terminal.

#### Life display of the inrush current limit circuit (Pr. 256)

The life of the inrush current limit circuit (relay, contactor and inrush resistor) is displayed in Pr. 259.

The number of contact (relay, contactor, thyristor) ON times is counted, and it is counted down from 100% (0 times) every 1%/10,000 times. As soon as 10% (900,000 times) is reached, Pr. 255 bit 3 is turned on and also an alarm is output to the Y90 signal.

#### Control circuit capacitor life display (Pr. 257)

The deterioration degree of the control circuit capacitor is displayed in Pr. 257 as a life.

In the operating status, the control circuit capacitor life is calculated from the energizing time and temperature of the inverter's heatsink, and is counted down from 100%. As soon as the control circuit capacitor life falls below 10%, Pr. 255 bit 0 is turned on and also an alarm is output to the Y90 signal.



**Main circuit capacitor life display (Pr. 258, Pr. 259)**

The deterioration degree of the main circuit capacitor is displayed in Pr. 258 as a life.

On the assumption that the main circuit capacitor capacitance at factory shipment is 100%, the capacitor life is displayed in Pr. 258 every time measurement is made. When the measured value falls to or below 85%, Pr. 255 bit 1 is turned on and also an alarm is output to the Y90 signal.

Measure the capacitor capacity according to the following procedure and check the deterioration level of the capacitor capacity.

- ① Check that the motor is connected and at a stop.
- ② Set "1" (measuring start) in Pr. 259.
- ③ Switch power off. The inverter applies DC voltage to the motor to measure the capacitor capacity while the inverter is off.
- ④ After confirming that the LED of the operation panel is off, power on again.
- ⑤ Check that "3" (measuring completion) is set in Pr. 259, read Pr 258, and check the deterioration degree of the main circuit capacitor.

Pr. 259	Description	Remarks
0	No measurement	Initial value
1	Measurement start	Measurement starts when the power supply is switched off.
2	During measurement	Only displayed and cannot be set
3	Measurement complete	
8	Forced end (see ③, ⑦, ⑧, ⑨ below)	
9	Measurement error (see ④, ⑤, ⑥ below)	

**Tab. 6-114: Parameter 259**

When the main circuit capacitor life is measured under the following conditions, "forced end" (Pr. 259 = "8") or "measuring error" (Pr. 259 = "9") occurs or it remains in "measuring start" (Pr. 259 = "1"). Therefore, do not measure in such case. In addition, even when "measurement completion" (Pr. 259 = "3") is confirmed under the following conditions, normal measurement can not be done.

- ① FR-HC or FR-CV is connected.
- ② DC power supply is connected to the terminal P/+ and N/-.
- ③ The power supply switched on during measurement.
- ④ The motor is not connected to the inverter.
- ⑤ The motor is running. (The motor is coasting.)
- ⑥ The motor capacity is two ranks (or more) smaller as compared to the inverter capacity.
- ⑦ The inverter is at an alarm stop or an alarm occurred while power is off.
- ⑧ The inverter output is shut off with the MRS signal.
- ⑨ The start command is given while measuring.
- ⑩ The parameter unit (FR-PU04/FR-PU07) is connected.
- ⑪ Use terminal PC as power supply.
- ⑫ I/O terminal of the control terminal block and plug-in option is on (continuity).
- ⑬ Plug-in option is fitted. (FR-E720S-050SC or less, FR-E740-026SC or less)

Turning the power on during measuring before LED of the operation panel turns off, it may remain in "measuring" (Pr. 259 = "2") status. In such case, carry out operation from step ②.

**NOTE**

For the accurate life measuring of the main circuit capacitor, perform after more than 3 hrs passed since the turn off of the power as it is affected by the capacitor temperature.

**WARNING:**

***When measuring the main circuit capacitor capacity (Pr. 259 "Main circuit capacitor life measuring" = 1), the DC voltage is applied to the motor for 1s at powering off. Never touch the motor terminal, etc. right after powering off to prevent an electric shock.***

**Cooling fan life display**

The cooling fan speed of 40% or less is detected and "FN" is displayed on the operation panel and parameter unit (FR-PU04/FR-PU07). As an alarm display, Pr. 255 bit 2 is turned on and also an alarm is output to the Y90 signal.

**NOTE**

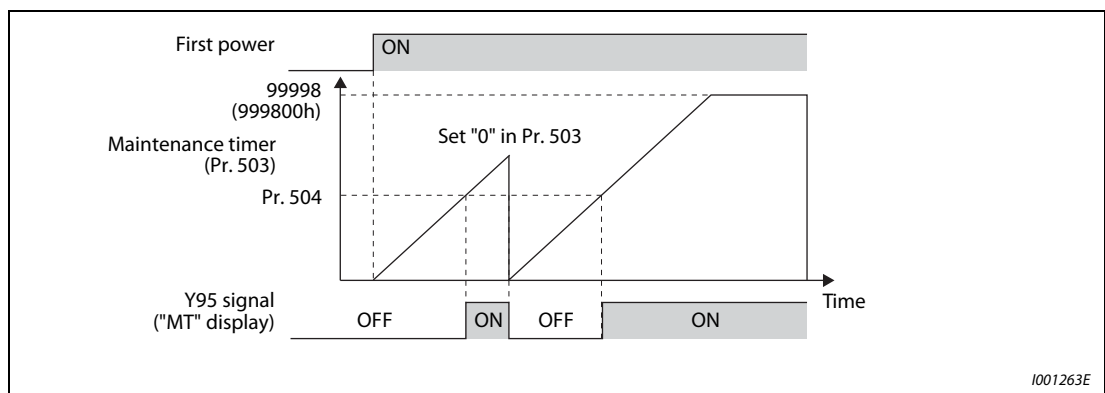
When the inverter is mounted with two or more cooling fans, "FN" is displayed with one or more fans with speed of 50% or less.

### 6.21.3 Maintenance timer alarm (Pr. 503, Pr. 504)

When the cumulative energizing time of the inverter reaches the parameter set time, the maintenance timer output signal (Y95) is output. "MT" is displayed on the operation panel. This can be used as a guideline for the maintenance time of peripheral devices.

Pr. No.	Name	Initial Value	Setting Range	Description	Parameters referred to	Refer to Section
503	Maintenance timer	0	0 (1–9998)	Display the cumulative energizing time of the inverter in 100h increments. Reading only Writing the setting of "0" clears the cumulative energizing time.	190–192 Output terminal function selection	6.10.5
504	Maintenance timer alarm output set time	9999	0–9998	Set the time taken until when the maintenance timer alarm output signal (Y95) is output.		
			9999	No function		

The above parameters can be set when Pr. 160 "User group read selection" = 0.



**Fig. 6-154: Maintenance timer**

The cumulative energizing time of the inverter is stored into the E<sup>2</sup>PROM every hour and indicated in Pr. 503 "Maintenance timer" in 100h increments. Pr. 503 is clamped at 9998 (999800h).

When the Pr. 503 value reaches the time set to Pr. 504 "Maintenance timer alarm output set time" (100h increments), the maintenance timer alarm output signal (Y95) is output.

For the terminal used for the Y95 signal output, assign the function by setting "95" (source logic) or "195" (sink logic) to any of Pr. 190 to Pr. 192 "Output terminal function selection".

**NOTES**

The cumulative energizing time is counted every hour. The energizing time of less than 1h is not counted.

When terminal assignment is changed using Pr. 190 to Pr. 192 "Output terminal function selection", the other functions may be affected. Please make setting after confirming the function of each terminal.

### 6.21.4 Current average value monitor signal (Pr. 555 to Pr. 557)

The average value of the output current during constant speed operation and the maintenance timer value are output as a pulse to the current average value monitor signal (Y93). The pulse width output to the I/O module of the PLC or the like can be used as a guideline due to abrasion of machines and elongation of belt and for aged deterioration of devices to know the maintenance time.

The current average value monitor signal (Y93) is output as pulse for 20s as 1 cycle and repeatedly output during constant speed operation.

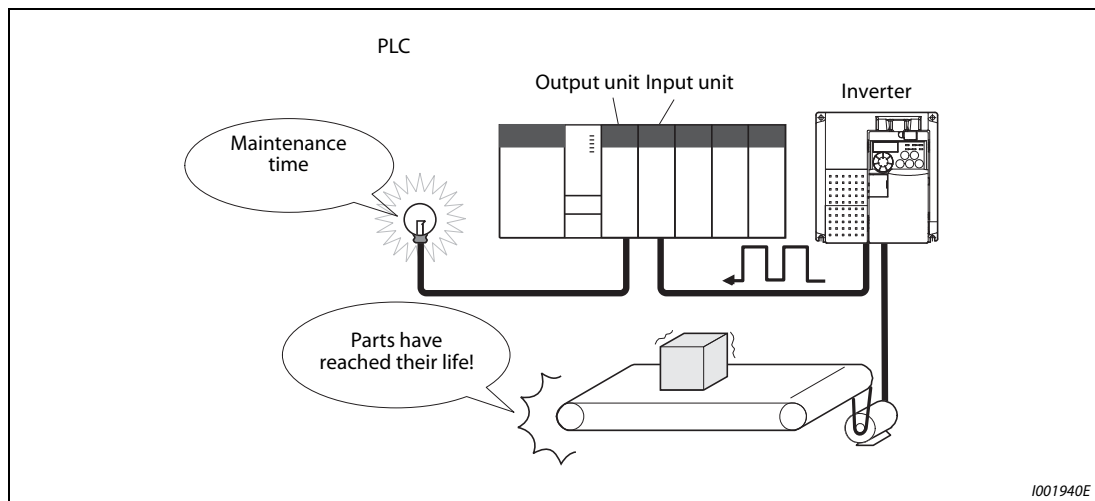


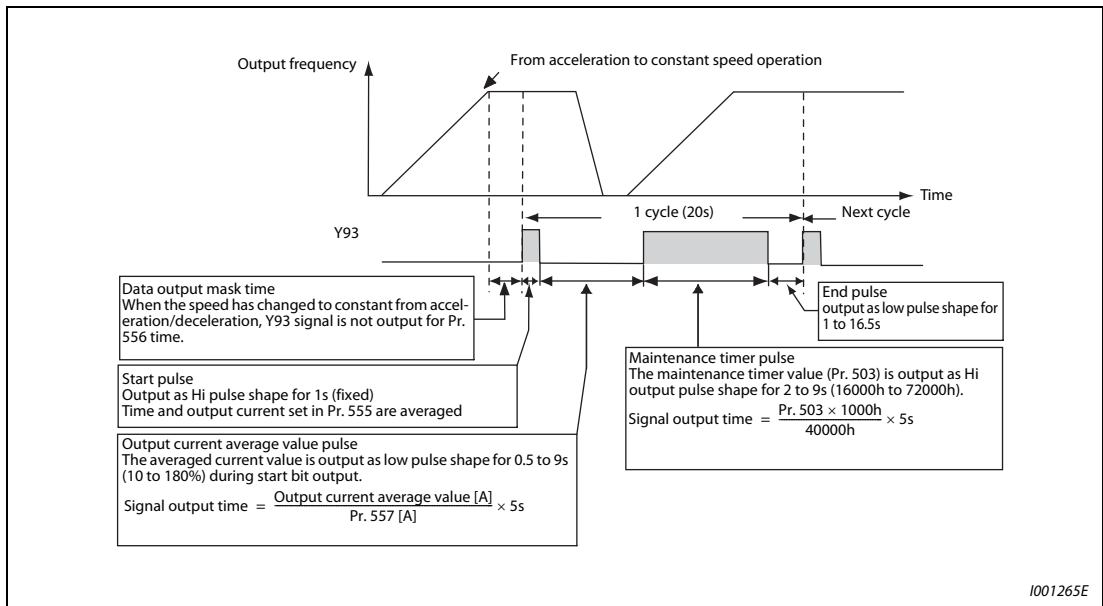
Fig. 6-155: Monitoring the maintenance timer and current average value

Pr. No.	Name	Initial Value	Setting Range	Description	Parameters referred to	Refer to Section
<b>555</b>	Current average time	1s	0.1–1.0s	Set the time taken to average the current during start bit output (1s).	57 Restart coasting time 190–192 Output terminal function selection 503 Maintenance timer	6.12.1 6.10.5 6.21.3
<b>556</b>	Data output mask time	0s	0.0–20.0s	Set the time for not obtaining (mask) transient state data.		
<b>557</b>	Current average value monitor signal output reference current	Rated inverter current	0–500A	Set the reference (100%) for outputting the signal of the current average value.		

The above parameters can be set when Pr. 160 "User group read selection" = 0.

The above parameters allow its setting to be changed during operation in any operation mode even if "0" (initial value) is set in Pr. 77 "Parameter write selection".

The pulse output of the current average value monitor signal (Y93) is shown below.



**Fig. 6-156:** Output of the pulse signal Y93

For the terminal used for the Y93 signal output, assign the function by setting "93" (positive logic) or "193" (negative logic) to Pr. 190 "RUN terminal function selection". The function can not be assigned to Pr. 192 "ABC terminal function selection".

**Setting of Pr. 556 "Data output mask time"**

The output current is unstable (transient state) right after the operation is changed from the acceleration/deceleration state to the constant speed operation. Set the time for not obtaining (mask) transient state data in Pr. 556.

Setting of the Pr. 555 "Current average time"

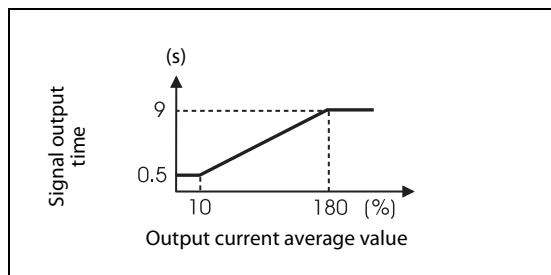
The average output current is calculated during Hi output of start bit (1s). Set the time taken to average the current during start bit output in Pr. 555.

Setting of Pr. 557 "Current average value monitor signal output reference current"

Set the reference (100%) for outputting the signal of the current average value. Obtain the time of the low pulse after a fixed start pulse of 1s from the following calculation.

$$\frac{\text{Output current average value}}{\text{Pr. 557}} \times 5s \text{ (output current average value 100\%/5s)}$$

Note that the output time range is 0.5 to 9s, and it is 0.5s when the output current average value is less than 10% of the setting value of Pr. 557 and 9s when it exceeds 180%.



**Fig. 6-157:**  
Signal output time for the current average value

1001266E

**Example** ▽

When Pr. 557 = 10A and the average value of output current is 15A, the current average value monitor signal is output as low pulse shape for 7.5s.

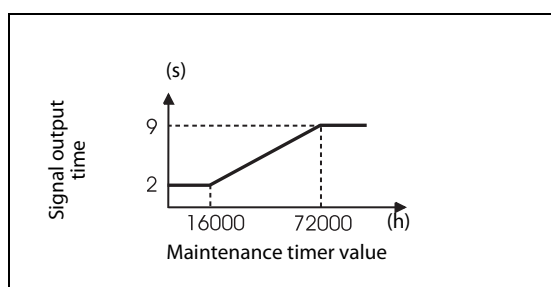
$$\text{Signal output time} = \frac{15A}{10A} \times 5s = 7.5s$$

△

Output of Pr. 503 "Maintenance timer"

After the output current average value is output as low pulse shape, the maintenance timer value is output as high pulse shape. The output time of the maintenance timer value is obtained from the following calculation.

$$\frac{\text{Pr. 503} \times 100}{40000h} \times 5s \text{ (Maintenance timer value 100\%/5s)}$$



**Fig. 6-158:**  
Signal output time for the maintenance output value

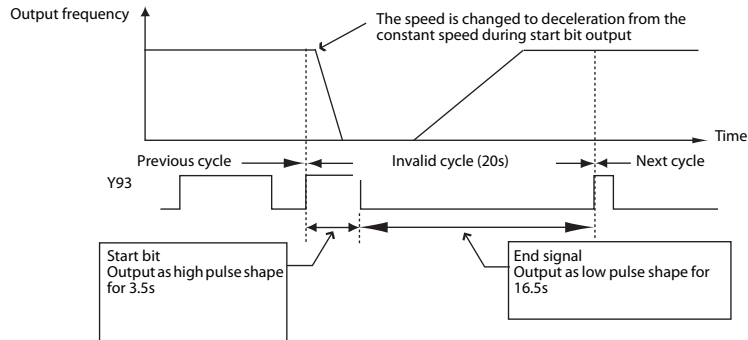
1001267E

Note that the output time range is 2 to 9s, and it is 2s when Pr. 503 is less than 16000h and 9s when it exceeds 72000h.

**NOTES**

Mask of data output and sampling of output current are not performed during acceleration/deceleration.

When the speed is changed to acceleration/deceleration from constant speed during start bit output, the data is judged as invalid, the start bit is output as high pulse shape for 3.5s, and the end signal is output as low pulse shape for 16.5s. The signal is output for at least 1 cycle even when acceleration/deceleration state continues after the start bit output is completed.



When the output current value (inverter output current monitor) is 0A on completion of the 1 cycle signal output, the signal is not output until the speed becomes constant next time.

The current average value monitor signal (Y93) is output as low pulse shape for 20s (without data output) under the following condition:

- When the motor is in the acceleration/deceleration state on completion of the 1 cycle signal output.
- When 1-cycle signal output was ended during restart operation with the setting of automatic restart after instantaneous power failure (Pr. 57 ≠ 9999).
- When automatic restart operation was being performed with automatic restart after instantaneous power failure selected (Pr. 57 ≠ 9999) on completion of the data output mask.

When terminal assignment is changed using Pr. 190 to Pr. 192 "Output terminal function selection", the other functions may be affected. Please make setting after confirming the function of each terminal.

## 6.21.5 Free parameters (Pr. 888, Pr. 889)

Parameters you can use for your own purposes.  
You can input any number within the setting range "0" to "9999".

For example, the number can be used:

- As a unit number when multiple units are used.
- As a pattern number for each operation application when multiple units are used.
- As the year and month of introduction or inspection.

Pr. No.	Name	Initial Value	Setting Range	Description
<b>888</b>	Free parameter 1	9999	0-9999	Any values can be set. Data is held even if the inverter power is turned off.
<b>889</b>	Free parameter 2	9999	0-9999	

Parameters referred to	Refer to Section
—	

The above parameters can be set when Pr. 160 "User group read selection" = 0.

The above parameters allow its setting to be changed during operation in any operation mode even if "0" (initial value) is set in Pr. 77 "Parameter write selection".

### NOTE

Pr. 888 and Pr. 889 do not influence the inverter operation.



## 6.22 Setting for the parameter unit, operation panel

Purpose	Parameters that must be set		Refer to Section
Selection of rotation direction by the RUN key of the operation panel	RUN key rotation direction selection	Pr. 40	6.22.1
Switch the display language of the parameter unit	PU display language selection	Pr. 145	6.22.2
Use the setting dial of the operation panel like a volume for frequency setting. Key lock of operation panel	Operation panel operation selection	Pr. 161	6.22.3
Change the magnitude of change of frequency setting by the setting dial of the operation panel	Magnitude of frequency change setting	Pr. 295	6.22.4
Control of the parameter unit buzzer	PU buzzer control	Pr. 990	6.22.5
Adjust LCD contrast of the parameter unit	PU contrast adjustment	Pr. 991	6.22.6

### 6.22.1 RUN key rotation direction selection (Pr. 40)

Used to choose the direction of rotation by operating the RUN key of the operation panel.

Pr. No.	Name	Initial Value	Setting Range	Description	Parameters referred to	Refer to Section
40	RUN key rotation direction selection	0	0	Forward rotation	—	
			1	Reverse rotation		

The above parameter can be set when Pr. 160 "User group read selection" = 0.

### 6.22.2 PU display language selection (Pr. 145)

By using parameter 145 you can select the display language for the parameter unit FR-PU04/FR-PU07.

Pr. No.	Name	Initial Value	Setting Range	Description	Parameters referred to	Refer to Section
145	PU display language selection	1	0	Japanese	—	
			1	English		
			2	German		
			3	French		
			4	Spanish		
			5	Italian		
			6	Swedish		
			7	Finnish		

The above parameter can be set when Pr. 160 "User group read selection" = 0.

### 6.22.3 Operation panel frequency setting/key lock operation selection (Pr. 161)

The setting dial of the operation panel can be used like a potentiometer to perform operation. The key operation of the operation panel can be disabled.

Pr. No.	Name	Initial Value	Setting Range	Description		Parameters referred to	Refer to Section
161	Frequency setting/key lock operation selection	0	0	Setting dial frequency setting mode	Key lock mode invalid	—	
			1	Setting dial potentiometer mode			
			10	Setting dial frequency setting mode	Key lock mode valid These setting must be confirmed by pressing the MODE key for about 2s.		
			11	Setting dial potentiometer mode			

The above parameter can be set when Pr. 160 "User group read selection" = 0.

#### NOTES

- ▮ You can find a detailed description of the operation panel with examples in section 4.3 "Operation Panel".
- ▮ When the setting dial and key operation is made invalid, "HOLD" appears on the operation panel while pressing a key.
- ▮ The STOP/RESET key is valid even in the operation lock status.

### 6.22.4 Magnitude of frequency change setting (Pr. 295)

When setting the set frequency with the setting dial, frequency changes in 0.01Hz increments in the initial status. Setting this parameter increases the magnitude of frequency which changes according to the rotated amount of the setting dial, improving operability.

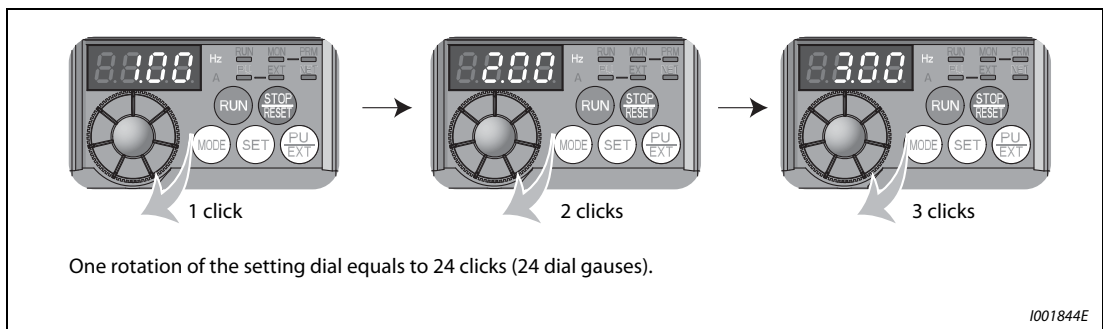
Pr. No.	Name	Initial Value	Setting Range	Description	Parameters referred to	Refer to Section
295	Magnitude of frequency change setting	0	0	Function invalid	—	
			0.01	The minimum varying width when the set frequency is changed by the setting dial can be set.		
			0.10			
			1.00			
			10.00			

The above parameter can be set when Pr. 160 "User group read selection" = 0.

The above parameter allows its setting to be changed during operation in any operation mode even if "0" (initial value) is set in Pr. 77 "Parameter write selection".

**Example** ▽

When "1.00Hz" is set in Pr. 295, one click (one dial gauge) of the setting dial changes the frequency in increments of 1.00Hz -> 2.00Hz -> 3.00Hz.



**Fig. 6-159:** Magnitude when parameter 295 is set to "1.00"



**NOTES**

When machine speed display is selected with Pr. 37, the minimum increments of the magnitude of change is determined by Pr. 295 as well. Note that the setting value may differ as speed setting changes the set machine speed and converts it to the speed display again.

When the set frequency (speed) is 100 or more, frequency is displayed in 0.1 increments. Therefore, the minimum varying width is 0.1 even when Pr. 295 < 0.1.

When the machine speed setting is 1000 or more, frequency is displayed in 1 increments. Therefore, the minimum varying width is 1 even when Pr. 295 < 1.

For Pr. 295, unit is not displayed.

This parameter is valid only in the set frequency mode. When other frequency-related parameters are set, it is not activated.

When 10 is set, frequency setting changes in 10Hz increments. Note the excess speed (in potentiometer mode).

### 6.22.5 Buzzer control (Pr. 990)

You can make the buzzer "beep" when you press the key of the parameter unit (FR-PU04/FR-PU07).

Pr. No.	Name	Initial Value	Setting Range	Description	Parameters referred to	Refer to Section
990	PU buzzer control	1	0	Without buzzer	—	
			1	With buzzer		

The above parameter can be set when Pr. 160 "User group read selection" = 0.

The above parameter allows its setting to be changed during operation in any operation mode even if "0" (initial value) is set in Pr. 77 "Parameter write selection".

### 6.22.6 PU contrast adjustment (Pr. 991)

Contrast adjustment of the LCD of the parameter unit (FR-PU04/FR-PU07) can be performed. Decreasing the setting value makes contrast light. You should press the WRITE key to store the PU contrast setting.

Pr. No.	Name	Initial Value	Setting Range	Description	Parameters referred to	Refer to Section
991	PU contrast adjustment	58	0–63	0: Light ↓ 63: Dark	—	

The above parameter is displayed as simple mode parameter only when the parameter unit FR-PU04/FR-PU07 is connected.

The above parameters allow its setting to be changed during operation in any operation mode even if "0" (initial value) is set in Pr. 77 "Parameter write selection".

# 7 Troubleshooting

Frequency inverter FR-E700SC EC has a multitude of protective functions which protect the drive and the inverter from damage in case of a fault. When an alarm occurs in the inverter, the protective function is activated bringing the inverter to an alarm stop and the PU display automatically changes to any of the following error (alarm) indications. If your fault does not correspond to any of the following errors or if you have any other problem, please contact your sales representative.

- Retention of fault output signal. . . . . When the magnetic contactor (MC) provided on the input side of the inverter is opened at the activation of the protective function, the inverter's control power will be lost and the alarm output will not be held.
- Fault or alarm display . . . . . When the protective function is activated, the operation panel display automatically switches to the above indication.
- Resetting method. . . . . When a protective function of the inverter is activated, the power output of the inverter is blocked (motor is coasting). The inverter cannot start up again unless an automatic restart has been configured or the inverter is reset. Please observe carefully the warnings contained below in the configuration of an automatic restart or the execution of a reset.
- If protective functions were activated (i. e. the inverter switched off with an error message) follow the instructions for error correction provided in the manual for the inverter. Especially in the case of short circuits or earth contacts in the inverter output and mains over voltages the cause of the fault must be determined prior to switching on again as a recurrence of such faults at short intervals can lead to premature aging of components or even the complete breakdown of the device. After the cause of the fault has been found and corrected the inverter can be reset and operations continue.

## 7.1 List of alarm display

Operation Panel Indication		Name	Refer to Page	
Error message	<i>E---</i>	E---	Faults history	7-20
	<i>HOLD</i>	HOLD	Operation panel lock	7-4
	<i>LOCd</i>	LOCd	Password locked	7-4
	<i>Er 1</i> to <i>Er 4</i>	Er1 to Er4	Parameter write error	7-4
	<i>Err.</i>	Err.	Inverter reset	7-5
Warning	<i>OL</i>	OL	Stall Prevention (overcurrent)	7-6
	<i>oL</i>	oL	Stall prevention (overvoltage)	7-6
	<i>rb</i>	RB	Regenerative brake prealarm	7-7
	<i>TH</i>	TH	Electronic thermal relay function prealarm	7-7
	<i>PS</i>	PS	PU Stop	7-7
	<i>MT</i>	MT	Maintenance signal output	7-7
	<i>UV</i>	UV	Undervoltage	7-8
	<i>SA</i>	SA	Safety Stop	7-8
Alarm	<i>Fn</i>	FN	Fan fault	7-8
Fault	<i>E.O.C 1</i>	E.O.C1	Overcurrent shut-off during acceleration	7-9
	<i>E.O.C 2</i>	E.O.C2	Overcurrent shut-off during constant speed	7-9
	<i>E.O.C 3</i>	E.O.C3	Overcurrent shut-off during deceleration or stop	7-9
	<i>E.O.V 1</i>	E.O.V1	Regenerative over voltage cut-off during acceleration	7-10
	<i>E.O.V 2</i>	E.O.V2	Overcurrent cut-off during constant speed	7-10
	<i>E.O.V 3</i>	E.O.V3	Regenerative over voltage shut-off during deceleration or stop	7-10
	<i>E.T.H T</i>	E.THT	Inverter overload shut-off (electronic thermal relay function)	7-11
	<i>E.T.H M</i>	E.THM	Motor overload shut-off (electronic thermal relay function)	7-11
	<i>E.FI n</i>	E.FIN	Heatsink overheat	7-12
	<i>E.I.L F</i>	E.I.LF <sup>①</sup>	Input phase failure	7-12
	<i>E.O.L F</i>	E.OLT	Stall prevention	7-12
	<i>E. bE</i>	E.BE	Brake transistor alarm detection	7-13
	<i>E. G F</i>	E.GF	Output side earth (ground) fault overcurrent protection	7-13

**Tab. 7-1:** List of alarm display (1)

Operation Panel Indication		Name	Refer to Page	
Fault	E.LF	E.LF	Output phase failure protection	7-13
	E.OHT	E.OHT	External thermal relay operation	7-13
	E.OPT	E.OPT	Option fault	7-14
	E.OP1	E.OP1	Fault of the internal (extension slot) installed option (e.g. communication fault)	7-14
	E. 1	E. 1	Fault of the internal (extension slot) installed option (e.g. connection or contact fault respectively)	7-14
	E. PE	E.PE	Parameter storage device alarm	7-15
	E.PE2	E.PE2 <sup>①</sup>	Internal board fault	7-15
	E.PUE	E.PUE	PU disconnection	7-15
	E.RET	E.RET	Retry count excess	7-15
	E. 5 E. 6 E. 7 E.CPU	E. 5 E. 6 E. 7 E.CPU	CPU fault	7-16
	E.IOH	E.IOH <sup>①</sup>	Inrush resistor overheat	7-16
	E.AIE	E.AIE <sup>①</sup>	Analog input fault	7-16
	E.USB	E.USB <sup>①</sup>	USB communication fault	7-16
	E.MB4 to E.MB7	E.MB4 to E.MB7	Brake sequence fault	7-17
	E.SAF	E.SAF <sup>①</sup>	Safety circuit fault	7-17
	E. 13	E.13	Internal circuit fault	7-17

**Tab. 7-1:** List of alarm display (2)

<sup>①</sup> If when employing the operation unit FR-PU04 one of the errors "E.LF, E.PE2, E.IOH, E.AIE, E.USB or E.SAF" occurs, then "Fault 14" will be displayed.

## 7.2 Causes and corrective actions

### Error message

A message regarding operational troubles is displayed. Output is not shutoff.

<b>Operation panel indication</b>	<b>HOLD</b>	<b>HOLD</b>
<b>Name</b>	Operation panel lock	
<b>Description</b>	Operation lock mode is set. Operation other than STOP/RESET is made invalid. (Refer to section 4.3.4.)	
<b>Check point</b>	—	
<b>Corrective action</b>	Press the MODE key for 2s to release lock.	

<b>Operation panel indication</b>	<b>LOCd</b>	<b>LOCd</b>
<b>Name</b>	Password locked	
<b>Description</b>	Password function is active. Display and setting of parameter is restricted.	
<b>Check point</b>	—	
<b>Corrective action</b>	Enter the password in Pr. 297 "Password lock/unlock" to unlock the password function before operating. (Refer to section 6.17.5.)	

<b>Operation panel indication</b>	<b>Er1</b>	<b>Er1</b>
<b>Name</b>	Write disable error	
<b>Description</b>	<ol style="list-style-type: none"> <li>1) You attempted to make parameter setting when Pr. 77 Parameter write selection has been set to disable parameter write.</li> <li>2) Frequency jump setting range overlapped.</li> <li>3) The PU and inverter cannot make normal communication.</li> </ol>	
<b>Check point</b>	<ol style="list-style-type: none"> <li>1) Check the setting of Pr. 77 "Parameter write selection". (Refer to section 6.17.2.)</li> <li>2) Check the settings of Pr. 31 to 36 (frequency jump). (Refer to section. 6.4.2.)</li> <li>3) Check the connection of the PU and inverter.</li> </ol>	

<b>Operation panel indication</b>	<b>Er2</b>	<b>Er2</b>
<b>Name</b>	Write error during operation	
<b>Description</b>	When parameter write was performed during operation with a value other than "2" (writing is enabled independently of operation status in any operation mode) is set in Pr. 77 and the STF (STR) is on.	
<b>Check point</b>	<ol style="list-style-type: none"> <li>1) Check the Pr. 77 setting. (Refer to section 6.17.2.)</li> <li>2) Check that the inverter is not operating.</li> </ol>	
<b>Corrective action</b>	<ol style="list-style-type: none"> <li>1) Set "2" in Pr. 77.</li> <li>2) After stopping operation, make parameter setting.</li> </ol>	




<b>Operation panel indication</b>	<b>Er3</b>	<i>Er3</i>
<b>Name</b>	Calibration error	
<b>Description</b>	Analog input bias and gain calibration values are too close.	
<b>Corrective action</b>	Check the settings of C3, C4, C6 and C7 (calibration functions). (Refer to section 6.16.3.)	


<b>Operation panel indication</b>	<b>Er4</b>	<i>Er4</i>
<b>Name</b>	Mode designation error	
<b>Description</b>	<ol style="list-style-type: none"> <li>1) You attempted to make parameter setting in the External or NET operation mode when Pr. 77 is not "2".</li> <li>2) You attempted to make parameter setting when the command source is not at the operation panel.</li> </ol>	
<b>Check point</b>	<ol style="list-style-type: none"> <li>1) Check that operation mode is "PU operation mode".</li> <li>2) Check the Pr. 77 setting. (Refer to section 6.17.2.)</li> <li>3) Check if FR Configurator (USB connector) or a parameter unit (FR-PU04/FR-PU07) is connected when Pr. 551 = "9999 (initial setting)."</li> <li>4) Check the Pr. 551 setting.</li> </ol>	
<b>Corrective action</b>	<ol style="list-style-type: none"> <li>1) After setting the operation mode to the "PU operation mode", make parameter setting. (Refer to section 6.17.2.)</li> <li>2) After setting "2" in Pr. 72, make parameter setting.</li> <li>3) Disconnect FR Configurator (USB connector) or the parameter unit (FR-PU04/FR-PU07), and make parameter setting.</li> <li>4) After setting Pr. 551 = "4", make parameter setting.</li> </ol>	


<b>Operation panel indication</b>	<b>Err.</b>	<i>Err.</i>
<b>Name</b>	Inverter reset	
<b>Description</b>	<ol style="list-style-type: none"> <li>1) Executing reset using RES signal, or reset command from communication or PU.</li> <li>2) Displays at powering off.</li> </ol>	
<b>Corrective action</b>	<ol style="list-style-type: none"> <li>1) Turn off the RES signal.</li> </ol>	


**Warnings**


When the protective function is activated, the output is not shut off.


<b>Operation panel indication</b>	OL		FR-PU04 FR-PU07	OL
<b>Name</b>	Stall prevention (overcurrent)			
<b>Description</b>	During acceleration	When the output current (output torque when Pr. 277 "Stall prevention current switchover" = 1) of the inverter exceeds the stall prevention operation level (Pr. 22 "Stall prevention operation level", etc.), this function stops the increase in frequency until the overload current decreases to prevent the inverter from resulting in overcurrent trip. When the overload current has reduced below stall prevention operation level, this function increases the frequency again.		
	During constant-speed operation	When the output current (output torque when Pr. 277 "Stall prevention current switchover" = 1) of the inverter exceeds the stall prevention operation level (Pr. 22 "Stall prevention operation level", etc.), this function reduces frequency until the overload current decreases to prevent the inverter from resulting in overcurrent trip. When the overload current has reduced below stall prevention operation level, this function increases the frequency up to the set value.		
	During deceleration	When the output current (output torque when Pr. 277 "Stall prevention current switchover" = 1) of the inverter exceeds the stall prevention operation level (Pr. 22 "Stall prevention operation level", etc.), this function stops the decrease in frequency until the overload current decreases to prevent the inverter from resulting in overcurrent trip. When the overload current has decreased below stall prevention operation level, this function decreases the frequency again.		
<b>Check point</b>	<ol style="list-style-type: none"> <li>1) Check that the Pr. 0 "Torque boost" setting is not too large.</li> <li>2) Check that the Pr. 7 "Acceleration time" and Pr. 8 "Deceleration time" settings are not too small.</li> <li>3) Check that the load is not too heavy.</li> <li>4) Are there any failure in peripheral devices?</li> <li>5) Check that the Pr. 13 "Starting frequency" is not too large.</li> <li>6) Check that the Pr. 22 "Stall prevention operation level" is appropriate.</li> </ol>			
<b>Corrective action</b>	<ol style="list-style-type: none"> <li>1) Increase or decrease the Pr. 0 "Torque boost setting" 1% by 1% and check the motor status. (Refer to section 6.3.1.)</li> <li>2) Set a larger value in Pr. 7 "Acceleration time" and Pr. 8 "Deceleration time". (Refer to section 6.7.1.)</li> <li>3) Reduce the load weight.</li> <li>4) Try advanced magnetic flux vector control and general-purpose magnetic flux vector control.</li> <li>5) Change the Pr. 14 "Load pattern selection" setting.</li> <li>6) Set stall prevention operation current in Pr. 22 "Stall prevention operation level". (The initial value is 150%.) The acceleration/deceleration time may change. Increase the stall prevention operation level with Pr. 22 "Stall prevention operation level", or disable stall prevention with Pr. 156 "Stall prevention operation selection". (Operation at OL occurrence can be selected using Pr. 156.)</li> </ol>			

<b>Operation panel indication</b>	oL		FR-PU04 FR-PU07	oL
<b>Name</b>	Stall prevention (overcurrent)			
<b>Description</b>	During deceleration	<ul style="list-style-type: none"> <li>• If the regenerative energy of the motor becomes excessive and exceeds the regenerative energy consumption capability, this function stops the decrease in frequency to prevent over voltage shut-off. As soon as the regenerative energy has decreased, deceleration resumes.</li> <li>• If the regenerative energy of the motor becomes excessive when regeneration avoidance function is selected (Pr. 882 = 1), this function increases the speed to prevent over voltage shut-off. (Refer to section 6.20.4).</li> </ul>		
<b>Check point</b>	<ul style="list-style-type: none"> <li>• Check for sudden speed reduction.</li> <li>• Check that regeneration avoidance function (Pr. 882, Pr. 883, Pr. 885, Pr. 886) is used. (Refer to section 6.20.4.)</li> </ul>			
<b>Corrective action</b>	The deceleration time may change. Increase the deceleration time using Pr. 8 "Deceleration time".			

<b>Operation panel indication</b>	PS		FR-PU04 FR-PU07	PS
<b>Name</b>	PU Stop			
<b>Description</b>	Stop with the STOP/RESET key of the PU is set in Pr. 75 "Reset selection/disconnected PU detection/PU stop selection". (For Pr. 75, refer to section 6.17.1.)			
<b>Check point</b>	Check for a stop made by pressing the STOP/RESET key of the operation panel.			
<b>Corrective action</b>	Turn the start signal off and release with PU/EXT key.			

<b>Operation panel indication</b>	RB		FR-PU04 FR-PU07	RB
<b>Name</b>	Regenerative brake prealarm			
<b>Description</b>	<p>Appears if the regenerative brake duty reaches or exceeds 85% of the Pr. 70 "Special regenerative brake duty" value. When the setting of Pr. 70 "Special regenerative brake duty" is the initial value (Pr. 70 = 0), this warning does not occur.</p> <p>If the regenerative brake duty reaches 100%, a regenerative overvoltage (E. OV□) occurs. The RBP signal can be simultaneously output with the [RB] display. For the terminal used for the RBP signal output, assign the function by setting "7 (positive logic) or 107 (negative logic)" in any of Pr. 190 to Pr. 192 "Output terminal function selection". (Refer to section 6.10.5.)</p>			
<b>Check point</b>	<ul style="list-style-type: none"> <li>• Check that the brake resistor duty is not high.</li> <li>• Check that the Pr. 30 "Regenerative function selection" and Pr. 70 "Special regenerative brake duty" values are correct.</li> </ul>			
<b>Corrective action</b>	<ul style="list-style-type: none"> <li>• Increase the deceleration time (Pr. 8).</li> <li>• Check the Pr. 30 "Regenerative function selection" and Pr. 70 "Special regenerative brake duty" values.</li> </ul>			

<b>Operation panel indication</b>	TH		FR-PU04 FR-PU07	TH
<b>Name</b>	Electronic thermal relay function prealarm			
<b>Description</b>	<p>Appears if the cumulative value of the Pr. 9 "Electronic thermal O/L relay" reaches or exceeds 85% of the preset level. If it reaches 100% of the Pr. 9 "Electronic thermal O/L relay" setting, a motor overload trip (E. THM) occurs. The THP signal can be simultaneously output with the [TH] display. For the terminal used for THP signal output, assign the function by setting "8 (positive logic) or 108 (negative logic)" in any of Pr. 190 to Pr. 192 "Output terminal function selection". (Refer to section 6.10.5.)</p>			
<b>Check point</b>	<p>1) Check for large load or sudden acceleration.</p> <p>2) Is the Pr. 9 "Electronic thermal O/L relay" setting is appropriate? (Refer to section 6.8.1.)</p>			
<b>Corrective action</b>	<p>1) Reduce the load weight or the number of operation times.</p> <p>2) Set an appropriate value in Pr. 9 "Electronic thermal O/L relay". (Refer to section 6.8.1.)</p>			

<b>Operation panel indication</b>	MT		FR-PU04 FR-PU07	—
<b>Name</b>	Maintenance signal output			
<b>Description</b>	<p>Indicates that the cumulative energization time of the inverter has reached a given time. When the setting of Pr. 504 "Maintenance timer alarm output" set time is the initial value (Pr. 504 = 9999), this warning does not occur.</p>			
<b>Check point</b>	<p>The Pr. 503 "Maintenance timer" setting is larger than the Pr. 504 "Maintenance timer alarm output set time" setting. (Refer to section 6.21.3.)</p>			
<b>Corrective action</b>	<p>Setting "0" in Pr. 503 "Maintenance timer" erases the signal.</p>			

<b>Operation panel indication</b>	UV	<i>UV</i>	FR-PU04 FR-PU07	—
<b>Name</b>	Undervoltage			
<b>Description</b>	If the power supply voltage of the inverter decreases, the control circuit will not perform normal functions. In addition, the motor torque will be insufficient and/or heat generation will increase. To prevent this, if the power supply voltage decreases below about 230VAC, this function stops the inverter output and displays. An alarm is reset when the voltage returns to normal.			
<b>Check point</b>	Check that the power supply voltage is normal.			
<b>Corrective action</b>	Check that the power supply voltage is normal.			

<b>Operation panel indication</b>	SA	<i>SA</i>	FR-PU04 FR-PU07	—
<b>Name</b>	Safety stop			
<b>Description</b>	Appears when safety stop function is activated (during output shutoff).			
<b>Check point</b>	Check if the shorting wire between S1 and PC or between S2 and PC is disconnected when not using the safety stop function.			
<b>Corrective action</b>	<ul style="list-style-type: none"> <li>• When not using the safety stop function, short across terminals S1 and P and across S2 and SC with shorting wire for the inverter to run.</li> <li>• If SA is indicated when across S1 and SC and across S2 and PC are both shorted while using the safety stop function (drive enabled), internal failure might be the cause.</li> <li>• Check the wiring of terminals S1, S2 and SC and contact your sales representative if the wiring has no fault.</li> </ul>			


**Alarm**


When an alarm occurs, the output is not shut off. You can also output an alarm signal by making parameter setting. (Set "98" in any of Pr. 190 to Pr. 192 "Output terminal function selection". Refer to section 6.10.5).


<b>Operation panel indication</b>	FN	<i>F<sub>n</sub></i>	FR-PU04 FR-PU07	FN
<b>Name</b>	Fan fault			
<b>Description</b>	For the inverter that contains a cooling fan, "FN" appears on the operation panel when the cooling fan stops due to an alarm or different operation from the setting of Pr. 244 "Cooling fan operation selection".			
<b>Check point</b>	Check the cooling fan for an alarm.			
<b>Corrective action</b>	Replace the cooling fan.			


**Fault**


When a fault occurs, the inverter trips and a fault signal is output.


<b>Operation panel indication</b>	E.OC1		FR-PU04 FR-PU07	OC During Acc
<b>Name</b>	Overcurrent shut-off during acceleration			
<b>Description</b>	When the inverter output current reaches or exceeds approximately 230% of the rated current during acceleration, the protective circuit is activated and the inverter trips.			
<b>Check point</b>	<ol style="list-style-type: none"> <li>1) Check for sudden acceleration.</li> <li>2) Check that the downward acceleration time is not long in vertical lift application.</li> <li>3) Check for output short circuit/ground fault.</li> <li>4) Check if the stall prevention operation level is set too high. Check if the fast-response current limit operation is disabled.</li> <li>5) Check that regeneration is not performed frequently. (Check that the output voltage becomes larger than the V/F reference value at regeneration and overcurrent occurs due to the high voltage.)</li> </ol>			
<b>Corrective action</b>	<ol style="list-style-type: none"> <li>1) Increase the acceleration time. (Shorten the downward acceleration time in vertical lift application.)</li> <li>2) When "E.OC1" is always lit at starting, disconnect the motor once and start the inverter. If "E.OC1" is still lit, contact your sales representative.</li> <li>3) Check the wiring to make sure that output short circuit/ground fault does not occur.</li> <li>4) Lower the setting of stall prevention operation level (Refer to section 6.3.5). Activate the fast-response current limit operation. (Refer to section 6.3.5).</li> <li>5) Set base voltage (rated voltage of the motor, etc.) in Pr. 19 "Base frequency voltage". (Refer to section 6.5.1.)</li> </ol>			


<b>Operation panel indication</b>	E.OC2		FR-PU04 FR-PU07	OC During Dec
<b>Name</b>	Overcurrent shut-off during constant speed			
<b>Description</b>	When the inverter output current reaches or exceeds approximately 230% of the rated current during constant speed operation, the protective circuit is activated and the inverter trips.			
<b>Check point</b>	<ol style="list-style-type: none"> <li>1) Check for sudden load change.</li> <li>2) Check for output short circuit/ground fault.</li> <li>3) Check if the stall prevention operation level is set too high. Check if the fast-response current limit operation is disabled.</li> </ol>			
<b>Corrective action</b>	<ol style="list-style-type: none"> <li>1) Keep load stable.</li> <li>2) Check the wiring to make sure that output short circuit/ground fault does not occur.</li> <li>3) Lower the setting of stall prevention operation level (Refer to section 6.3.5). Activate the fast-response current limit operation. (Refer to section 6.3.5).</li> </ol>			

<b>Operation panel indication</b>	E.OC3		FR-PU04 FR-PU07	OC During Dec
<b>Name</b>	Overcurrent shut-off during deceleration or stop			
<b>Description</b>	When the inverter output current reaches or exceeds approximately 230% of the rated inverter current during deceleration (other than acceleration or constant speed), the protective circuit is activated and the inverter trips.			
<b>Check point</b>	<ol style="list-style-type: none"> <li>1) Check for sudden speed reduction.</li> <li>2) Check for output short circuit/ground fault.</li> <li>3) Check for too fast operation of the motor's mechanical brake.</li> <li>4) Check if the stall prevention operation level is set too high. Check if the fast-response current limit operation is disabled.</li> </ol>			
<b>Corrective action</b>	<ol style="list-style-type: none"> <li>1) Increase the deceleration time.</li> <li>2) Check the wiring to make sure that output short circuit/ground fault does not occur.</li> <li>3) Check the mechanical brake operation.</li> <li>4) Lower the setting of stall prevention operation level (Refer to section 6.3.5). Activate the fast-response current limit operation. (Refer to section 6.3.5).</li> </ol>			


<b>Operation panel indication</b>	E.OV1		FR-PU04 FR-PU07	OV During Acc
<b>Name</b>	Regenerative over voltage shutoff during acceleration			
<b>Description</b>	If regenerative energy causes the inverter's internal main circuit DC voltage to reach or exceed the specified value, the protective circuit is activated and the inverter trips. The circuit may also be activated by a surge voltage produced in the power supply system.			
<b>Check point</b>	1) Check for too slow acceleration (e.g. during downward acceleration in vertical lift load). 2) Check that the Pr. 22 "Stall prevention operation level" is not too low.			
<b>Corrective action</b>	1) ● Decrease the acceleration time. ● Check that regeneration avoidance function (Pr. 882, Pr. 883, Pr. 885, Pr. 886) is used. (Refer to section 6.20.4) 2) Set a correct value in Pr. 22 "Stall prevention operation level".			

<b>Operation panel indication</b>	E.OV2		FR-PU04 FR-PU07	U>>N = konst
<b>Name</b>	Regenerative over voltage shut-off during constant speed			
<b>Description</b>	If regenerative energy causes the inverter's internal main circuit DC voltage to reach or exceed the specified value, the protective circuit is activated to stop the inverter output. The circuit may also be activated by a surge voltage produced in the power supply system.			
<b>Check point</b>	1) Check for sudden load change. 2) Check that the Pr. 22 "Stall prevention operation level" is not too low.			
<b>Corrective action</b>	1) ● Keep load stable. ● Check that regeneration avoidance function (Pr. 882, Pr. 883, Pr. 885, Pr. 886) is used. (Refer to section 6.20.4) ● Use the brake resistor, brake unit or power regeneration common converter (FR-CV) as required. 2) Set a correct value in Pr. 22 "Stall prevention operation level".			

<b>Operation panel indication</b>	E.OV3		FR-PU04 FR-PU07	OV During Dec
<b>Name</b>	Regenerative over voltage shut-off during deceleration or stop			
<b>Description</b>	If regenerative energy causes the inverter's internal main circuit DC voltage to reach or exceed the specified value, the protective circuit is activated to stop the inverter output. The circuit may also be activated by a surge voltage produced in the power supply system.			
<b>Check point</b>	Check for sudden speed reduction.			
<b>Corrective action</b>	● Increase the deceleration time. (Set the deceleration time which matches the inertia moment of the load) ● Use regeneration avoidance function (Pr. 882, Pr. 883, Pr. 885, Pr. 886). (Refer to section 6.20.4.) ● Use the brake unit or power regeneration common converter (FR-CV) as required.			

<b>Operation panel indication</b>	E.THT		FR-PU04 FR-PU07	<b>Inv. Overload</b>
<b>Name</b>	Inverter overload shut-off (electronic thermal relay function) ①			
<b>Description</b>	If the temperature of the output transistor element exceeds the protection level under the condition that a current not less than the rated inverter current flows and overcurrent trip does not occur (230% or less), the electronic thermal relay activates to stop the inverter output. (Overload capacity 150% for 60s, 200% for 3s)			
<b>Check point</b>	<ul style="list-style-type: none"> <li>• Check that acceleration/deceleration time is not too short.</li> <li>• Check that torque boost setting is not too large (small).</li> <li>• Check that load pattern selection setting is appropriate for the load pattern of the using machine.</li> <li>• Check the motor for use under overload.</li> <li>• Check for too high ambient temperature.</li> </ul>			
<b>Corrective action</b>	<ul style="list-style-type: none"> <li>• Increase acceleration/deceleration time.</li> <li>• Adjust the torque boost setting.</li> <li>• Set the load pattern selection setting according to the load pattern of the using machine.</li> <li>• Reduce the load weight.</li> <li>• Set the ambient temperature to within the specifications.</li> </ul>			

① Resetting the inverter initializes the internal thermal integrated data of the electronic thermal relay function.

<b>Operation panel indication</b>	E.THM		FR-PU04 FR-PU07	<b>Motor Overload</b>
<b>Name</b>	Motor overload shut-off (electronic thermal relay function) ①			
<b>Description</b>	The electronic thermal relay function in the inverter detects motor overheat due to overload or reduced cooling capability during constant-speed operation and pre-alarm (TH display) is output when the I <sup>2</sup> t value reaches 85% of the Pr. 9 "Electronic thermal O/L relay" setting and the protection circuit is activated to stop the inverter output when the I <sup>2</sup> t value reaches the specified value. When running a special motor such as a multi-pole motor or multiple motors, provide a thermal relay on the inverter output side since such motor(s) cannot be protected by the electronic thermal relay function.			
<b>Check point</b>	<ol style="list-style-type: none"> <li>1) Check the motor for use under overload.</li> <li>2) Check that the setting of Pr. 71 "Applied motor" for motor selection is correct. (Refer to section 6.8.2.)</li> <li>3) Check that the setting of Pr. 71 "Applied motor" for motor selection is correct. (Refer to section 6.3.5.)</li> </ol>			
<b>Corrective action</b>	<ol style="list-style-type: none"> <li>1) Reduce the load weight.</li> <li>2) For a constant-torque motor, set the constant-torque motor in Pr. 71 "Applied motor".</li> <li>3) Check that stall prevention operation setting is correct. (Refer to section 6.3.5.)</li> </ol>			

① Resetting the inverter initializes the internal thermal integrated data of the electronic thermal relay function.

<b>Operation panel indication</b>	<b>E.FIN</b>	<b>E.FIN</b>	<b>FR-PU04</b> <b>FR-PU07</b>	<b>H/Sink O/Temp</b>
<b>Name</b>	Fin overheat			
<b>Description</b>	If the heatsink overheats, the temperature sensor is actuated to stop the inverter output. The FIN signal can be output when the temperature becomes approximately 85% of the heatsink overheat protection operation temperature. For the terminal used for the FIN signal output, assign the function by setting "26" (source logic) or "126" (sink logic) in any of Pr. 190 to Pr. 192 "Output terminal function selection". (Refer to section 6.10.5).			
<b>Check point</b>	1) Check for too high ambient temperature. 2) Check for heatsink clogging. 3) Check that the cooling fan is stopped. (Check that "FN" is not displayed on the operation panel.)			
<b>Corrective action</b>	1) Set the ambient temperature to within the specifications. 2) Clean the heatsink. 3) Replace the cooling fan.			

<b>Operation panel indication</b>	<b>E.ILF</b>	<b>E.ILF</b>	<b>FR-PU04</b> <b>FR-PU07</b>	<b>Fault 14</b> <b>Input phase loss</b>
<b>Name</b>	Input phase failure <sup>①</sup>			
<b>Description</b>	Inverter trips when function valid setting (=1) is selected in Pr. 872 Input phase loss protection selection and one phase of the three phase power input is lost. (Refer to section 6.13.2). It may function if phase-to-phase voltage of the three-phase power input becomes largely unbalanced.			
<b>Check point</b>	<ul style="list-style-type: none"> <li>• Check for a break in the cable for the three-phase power supply input.</li> <li>• Check that phase-to-phase voltage of the three-phase power input is not largely unbalanced.</li> </ul>			
<b>Corrective action</b>	<ul style="list-style-type: none"> <li>• Wire the cables properly.</li> <li>• Repair a break portion in the cable.</li> <li>• Check the Pr. 872 "Input phase failure protection selection" setting.</li> <li>• Set Pr. 872 = "0" (without input phase loss protection) when three-phase input voltage is largely unbalanced.</li> </ul>			

<sup>①</sup> Available only for three-phase power input specification model.

<b>Operation panel indication</b>	<b>E.OLT</b>	<b>E.OLT</b>	<b>FR-PU04</b> <b>FR-PU07</b>	<b>Stall Prev STP ( OL shown during stall prevention operation)</b>
<b>Name</b>	Stall prevention			
<b>Description</b>	If the output frequency has fallen to 1Hz by stall prevention operation and remains for 3s, a fault (E.OLT) appears and trips the inverter. "OL" appears while stall prevention is being activated. E.OLT may not occur if stall prevention (OL) is activated during output phase loss.			
<b>Check point</b>	Check the motor for use under overload. (Refer to section 6.3.5).			
<b>Corrective action</b>	<ul style="list-style-type: none"> <li>• Reduce the load weight.</li> <li>• Check the Pr. 22 "Stall prevention operation level" setting.</li> </ul>			



<b>Operation panel indication</b>	E.BE	<i>E. BE</i>	FR-PU04 FR-PU07	Br. Cct. Fault
<b>Name</b>	Brake transistor alarm detection/internal circuit error			
<b>Description</b>	When a brake transistor alarm has occurred due to the large regenerative energy from the motor etc., the brake transistor alarm is detected and the inverter trips. In this case, the inverter must be powered off immediately.			
<b>Check point</b>	<ul style="list-style-type: none"> <li>• Reduce the load inertia.</li> <li>• Check that the frequency of using the brake is proper.</li> </ul>			
<b>Corrective action</b>	Replace the inverter.			

<b>Operation panel indication</b>	E.GF	<i>E. GF</i>	FR-PU04 FR-PU07	Ground Fault
<b>Name</b>	Output phase failure protection			
<b>Description</b>	The inverter trips if an earth (ground) fault overcurrent flows at start due to an earth (ground) fault that occurred on the inverter's output side (load side). Whether this protective function is used or not is set with Pr. 249 "Earth (ground) fault detection at start".			
<b>Check point</b>	Check for an earth fault in the motor and connection cable.			
<b>Corrective action</b>	Remedy the earth fault portion.			

<b>Operation panel indication</b>	E.LF	<i>E. LF</i>	FR-PU04 FR-PU07	E.LF
<b>Name</b>	Output phase loss			
<b>Description</b>	If one of the three phases (U, V, W) on the inverter's output side (load side) is lost during inverter operation (except during DC injection brake operation and when output frequency is under 1Hz), inverter stops the output. Whether the protective function is used or not is set with Pr. 251 "Output phase loss protection selection".			
<b>Check point</b>	<ul style="list-style-type: none"> <li>• Check the wiring (Check that the motor is normal.)</li> <li>• Check that the capacity of the motor used is not smaller than that of the inverter.</li> </ul>			
<b>Corrective action</b>	<ul style="list-style-type: none"> <li>• Wire the cables properly.</li> <li>• Check the Pr. 251 "Output phase failure protection selection" setting.</li> </ul>			

<b>Operation panel indication</b>	E.OHT	<i>E.OHT</i>	FR-PU04 FR-PU07	OH Fault
<b>Name</b>	External thermal relay operation <sup>①</sup>			
<b>Description</b>	If the external thermal relay provided for motor overheat protection or the internally mounted temperature relay in the motor, etc. switches on (contacts open), the inverter output is stopped. Functions when "7" (OH signal) is set to any of Pr. 178 to Pr. 184 "Input terminal function selection". This protective function does not function in the initial status (OH signal is not assigned).			
<b>Check point</b>	<ul style="list-style-type: none"> <li>• Check for motor overheating.</li> <li>• Check that the value of "7" (OH signal) is set correctly in any of Pr. 178 to Pr. 184 "Input terminal function selection".</li> </ul>			
<b>Corrective action</b>	<ul style="list-style-type: none"> <li>• Reduce the load and frequency of operation.</li> <li>• Even if the relay contacts are reset automatically, the inverter will not restart unless it is reset.</li> </ul>			

<sup>①</sup> Functions only when any of Pr. 178 to Pr. 184 "Input terminal function selection" is set to OH.

<b>Operation panel indication</b>	E.OPT	<i>E.OPT</i>	FR-PU04 FR-PU07	<b>Option Fault</b>
<b>Name</b>	Option fault			
<b>Description</b>	Appears when a communication option is connected while Pr. 296 = "0 or 100."			
<b>Check point</b>	Check if password lock is activated by setting Pr. 296 = "0, 100"			
<b>Corrective action</b>	<ul style="list-style-type: none"> <li>• To apply the password lock when installing a communication option, set Pr. 296 not equal to "0,100".</li> <li>• If the problem still persists after taking the above measure, please contact your sales representative.</li> </ul>			

<b>Operation panel indication</b>	E.OP1	<i>E.OP1</i>	FR-PU04 FR-PU07	<b>Option slot alarm 1</b>
<b>Name</b>	Communication option fault			
<b>Description</b>	Stops the inverter output when a communication line fault occurs in the communication option.			
<b>Check point</b>	<ul style="list-style-type: none"> <li>• Check for a wrong option function setting and operation.</li> <li>• Check that the plug-in option unit is plugged into the connector securely.</li> <li>• Check for a break in the communication cable.</li> <li>• Check that the terminating resistor is fitted properly.</li> </ul>			
<b>Corrective action</b>	<ul style="list-style-type: none"> <li>• Check the option function setting, etc.</li> <li>• Connect the plug-in option securely.</li> <li>• Check the connection of communication cable.</li> <li>• Connect the terminating resistor correctly.</li> </ul>			

<b>Operation panel indication</b>	E.1	<i>E. 1</i>	FR-PU04 FR-PU07	
<b>Name</b>	Option fault			
<b>Description</b>	<ul style="list-style-type: none"> <li>• Stops the inverter output if a contact fault or the like of the connector between the inverter and communication option occurs.</li> <li>• Appears when the switch for the manufacturer setting of the plug-in option is changed.</li> </ul>			
<b>Check point</b>	<ul style="list-style-type: none"> <li>• Check that the plug-in option is plugged into the connector securely.</li> <li>• Check for excess electrical noises around the inverter.</li> <li>• Check the switch position for the manufacturer setting of the plug-in option.</li> </ul>			
<b>Corrective action</b>	<ul style="list-style-type: none"> <li>• Connect the plug-in option securely.</li> <li>• Take measures against noises if there are devices producing excess electrical noises around the inverter.</li> <li>• If the problem still persists after taking the above measure, please contact your sales representative or distributor.</li> <li>• Return the switch position for the manufacturer setting of the plug-in option to the initial status. (Refer to the instruction manual of each option)</li> </ul>			

<b>Operation panel indication</b>	<b>E.PE</b>	<b>E. PE</b>	<b>FR-PU04</b> <b>FR-PU07</b>	<b>Corrupt Memry</b>
<b>Name</b>	Parameter storage device alarm (control circuit board)			
<b>Description</b>	Stops the inverter output if fault occurred in the parameter stored. (E <sup>2</sup> PROM fault)			
<b>Check point</b>	Check for too many number of parameter write times.			
<b>Corrective action</b>	Please contact your sales representative. When performing parameter write frequently for communication purposes, set "1" in Pr. 342 to enable RAM write. Note that powering off returns the inverter to the status before RAM write.			

<b>Operation panel indication</b>	<b>E.PE2</b>	<b>E.PE2</b>	<b>FR-PU04</b> <b>FR-PU07</b>	<b>Fault 14</b> <b>PR storage alarm</b>
<b>Name</b>	Internal board fault			
<b>Description</b>	When a combination of control board and main circuit board is wrong, the inverter is tripped.			
<b>Check point</b>	—			
<b>Corrective action</b>	Please contact your sales representative.			

<b>Operation panel indication</b>	<b>E.PUE</b>	<b>E.PUE</b>	<b>FR-PU04</b> <b>FR-PU07</b>	<b>PU Leave Out</b>
<b>Name</b>	PU disconnection			
<b>Description</b>	This function stops the inverter output if communication between the inverter and PU is suspended, e.g. the parameter unit is disconnected, when "2", "3", "16" or "17" was set in Pr. 75 "Reset selection/disconnected PU detection/PU stop selection". This function stops the inverter output when communication errors occurred consecutively for more than permissible number of retries when a value other than "9999" is set in Pr. 121 "Number of PU communication retries" during the RS-485 communication with the PU connector (use Pr. 502 "Stop mode selection at communication error" to change). This function also stops the inverter output if communication is broken within the period of time set in Pr. 122 "PU communication check time interval" during the RS-485 communication with the PU connector.			
<b>Check point</b>	<ul style="list-style-type: none"> <li>• Check that the parameter unit (FR-PU04/FR-PU07) is fitted tightly.</li> <li>• Check the Pr. 75 setting.</li> </ul>			
<b>Corrective action</b>	Connect the parameter unit (FR-PU04/FR-PU07) securely.			

<b>Operation panel indication</b>	<b>E.RET</b>	<b>E.rEt</b>	<b>FR-PU04</b> <b>FR-PU07</b>	<b>Retry No Over</b>
<b>Name</b>	Retry count excess			
<b>Description</b>	If operation cannot be resumed properly within the number of retries set, this function trips the inverter. Functions only when Pr. 67 "Number of retries at fault occurrence" is set. When the initial value (Pr. 67 = 0) is set, this protective function does not function.			
<b>Check point</b>	Find the cause of fault occurrence.			
<b>Corrective action</b>	Eliminate the cause of the error preceding this error indication.			

<b>Operation panel indication</b>	<b>E. 5</b>	<b>E. 5</b>	<b>FR-PU04</b> <b>FR-PU07</b>	<b>Fault 5</b>
	<b>E. 6</b>	<b>E. 6</b>		<b>Fault 6</b>
	<b>E. 7</b>	<b>E. 7</b>		<b>Fault 7</b>
	<b>E.CPU</b>	<b>E.CPU</b>		<b>CPU Fault</b>
<b>Name</b>	CPU fault			
<b>Description</b>	Stops the inverter output if the communication fault of the built-in CPU occurs.			
<b>Check point</b>	<ul style="list-style-type: none"> <li>• Check for devices producing excess electrical noises around the inverter.</li> <li>• Check if the terminal PC is shorted with the terminal SD. (E. 6/E. 7)</li> </ul>			
<b>Corrective action</b>	<ul style="list-style-type: none"> <li>• Take measures against noises if there are devices producing excess electrical noises around the inverter.</li> <li>• Check the connection between the terminals PC and SD. (E. 6/E. 7).</li> <li>• Please contact your sales representative.</li> </ul>			

<b>Operation panel indication</b>	<b>E.IOH</b>	<b>E. IOH</b>	<b>FR-PU04</b> <b>FR-PU07</b>	<b>Fault 14</b>
				<b>Inrush overheat</b>
<b>Name</b>	Inrush current limit circuit fault			
<b>Description</b>	Stops the inverter output when the resistor of inrush current limit circuit overheated. The inrush current limit circuit fault.			
<b>Check point</b>	Check that frequent power ON/OFF is not repeated.			
<b>Corrective action</b>	Configure a circuit where frequent power ON/OFF is not repeated. If the problem still persists after taking the above measure, please contact your sales representative.			

<b>Operation panel indication</b>	<b>E.AIE</b>	<b>E. AIE</b>	<b>FR-PU04</b> <b>FR-PU07</b>	<b>Fault 14</b>
				<b>Analog in error</b>
<b>Name</b>	Analog input fault			
<b>Description</b>	Appears if voltage(current) is input to terminal 4 when the setting in Pr. 267 "Terminal 4 input selection" and the setting of voltage/current input switch are different.			
<b>Check point</b>	Check the setting of Pr. 267 "Terminal 4 input selection" and voltage/current input switch.			
<b>Corrective action</b>	Either give a frequency command by current input or set Pr. 267 Terminal 4 input selection, and voltage/current input switch to voltage input. (Refer to section 6.16.1.)			

<b>Operation panel indication</b>	<b>E.USB</b>	<b>E.USB</b>	<b>FR-PU04</b>	<b>Fault 14</b>
			<b>FR-PU07</b>	<b>USB comm error</b>
<b>Name</b>	USB communication fault			
<b>Description</b>	When communication has broken during the time set in Pr. 548 "USB communication check time interval", this function stops the inverter output.			
<b>Check point</b>	<ul style="list-style-type: none"> <li>• Check the USB communication cable.</li> <li>• Check the Pr. 548 "USB communication check time interval" setting.</li> </ul>			
<b>Corrective action</b>	<ul style="list-style-type: none"> <li>• Check the USB communication cable.</li> <li>• Increase the Pr. 548 "USB communication check time interval" setting. Or, change the setting to 9999. (Refer to section 6.19.6.)</li> </ul>			

<b>Operation panel indication</b>	<b>E.MB4 to E.MB7</b>	<b>E.MB4</b> to <b>E.MB7</b>	<b>FR-PU04</b>	<b>E.MB4 Fault to E.MB7 Fault</b>
			<b>FR-PU07</b>	
<b>Name</b>	Brake sequence fault			
<b>Description</b>	The inverter output is stopped when a sequence error occurs during use of the brake sequence function (Pr. 278 to Pr. 283). This protective function does not function in the initial status. (Refer to section 6.9.5.)			
<b>Check point</b>	Find the cause of alarm occurrence.			
<b>Corrective action</b>	Check the set parameters and perform wiring properly.			

<b>Operation panel indication</b>	<b>E.SAF</b>	<b>E.SAF</b>	<b>FR-PU04</b>	<b>Fault 14</b>
			<b>FR-PU07</b>	<b>Fault E.SAF</b>
<b>Name</b>	Safety circuit fault			
<b>Description</b>	Appears when safety circuit is malfunctioning. Appears when one of the lines between S1 and PC, or between S2 and PC is opened.			
<b>Check point</b>	<ul style="list-style-type: none"> <li>• Check if the shorting wire between S1 and PC or between S2 and PC is disconnected when not using the safety stop function.</li> <li>• Check that the safety relay module or the connection has no fault when using the safety stop function.</li> </ul>			
<b>Corrective action</b>	<ul style="list-style-type: none"> <li>• When not using the safety stop function, short across terminals S1 and PC and across S2 and PC with shorting wire. (Refer to section 3.4.3).</li> <li>• When using the safety stop function, check that wiring of terminal S1, S2 and PC is correct and the safety stop input signal source such as safety relay module is operating properly. Refer to the Safety stop function instruction manual (BCN-A211508-004) for causes and countermeasures.</li> </ul>			

<b>Operation panel indication</b>	<b>E.13</b>	<b>E. 13</b>	<b>FR-PU04</b> <b>FR-PU07</b>	<b>Fault 13</b>
<b>Name</b>	Internal circuit fault			
<b>Description</b>	Stop the inverter output when an internal circuit fault occurred.			
<b>Corrective action</b>	Please contact your sales representative.			

**NOTES**

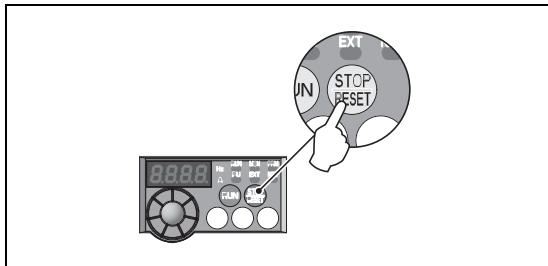
- | If protective functions of E.ILF, E.PE2, E.IOH, E.AIE, E.USB or E.SAF are activated when using the FR-PU04, "Fault 14" is displayed.
- | Also when the faults history is checked on the FR-PU04, the display is "E.14".
- | If faults other than the above appear, contact your sales representative.

## 7.3 Reset method of protective function

Eliminate the cause of the error before you reset the inverter. Note that the internal thermal integrated value of the electronic thermal relay function and the number of retries are cleared (erased) by re-setting the inverter. It takes about 1s for reset.

The inverter can be reset by performing any of the following operations:

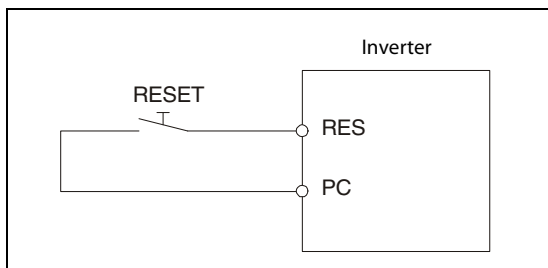
- Using the operation panel, press the STOP/RESET key to reset the inverter. (Enabled only when the inverter protective function is activated (major fault). (Refer to page 7-9 for major fault.))



**Fig. 7-1:**  
Resetting the inverter by using the operation panel

1001859E

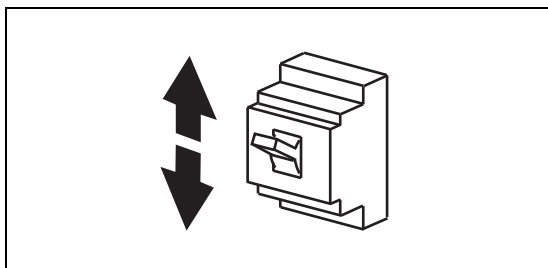
- Turn on the reset signal RES for more than 0.1s. (Connect the terminals RES and SD when using sink logic or terminals RES and PC as shown Fig. 7.2 when using source logic). (If the RES signal is kept on, "Err." appears (flickers) to indicate that the inverter is in the reset status.)



**Fig. 7-2:**  
Resetting the inverter by turning on the RES signal

1000249C

- Switch OFF the power once, then switch it ON again after the indicator of the operation panel turns OFF.



**Fig. 7-3:**  
Resetting the inverter by switching the power supply off and on

1001297E

## 7.4 LED display

In contrast to the LC display on the (optional) parameter unit FR-PU04/FR-PU07, alphanumeric characters are displayed on the LED display of the control panel in a somewhat simplified form. There are the following correspondences between the actual alphanumeric characters and the digital characters displayed on the operation panel.

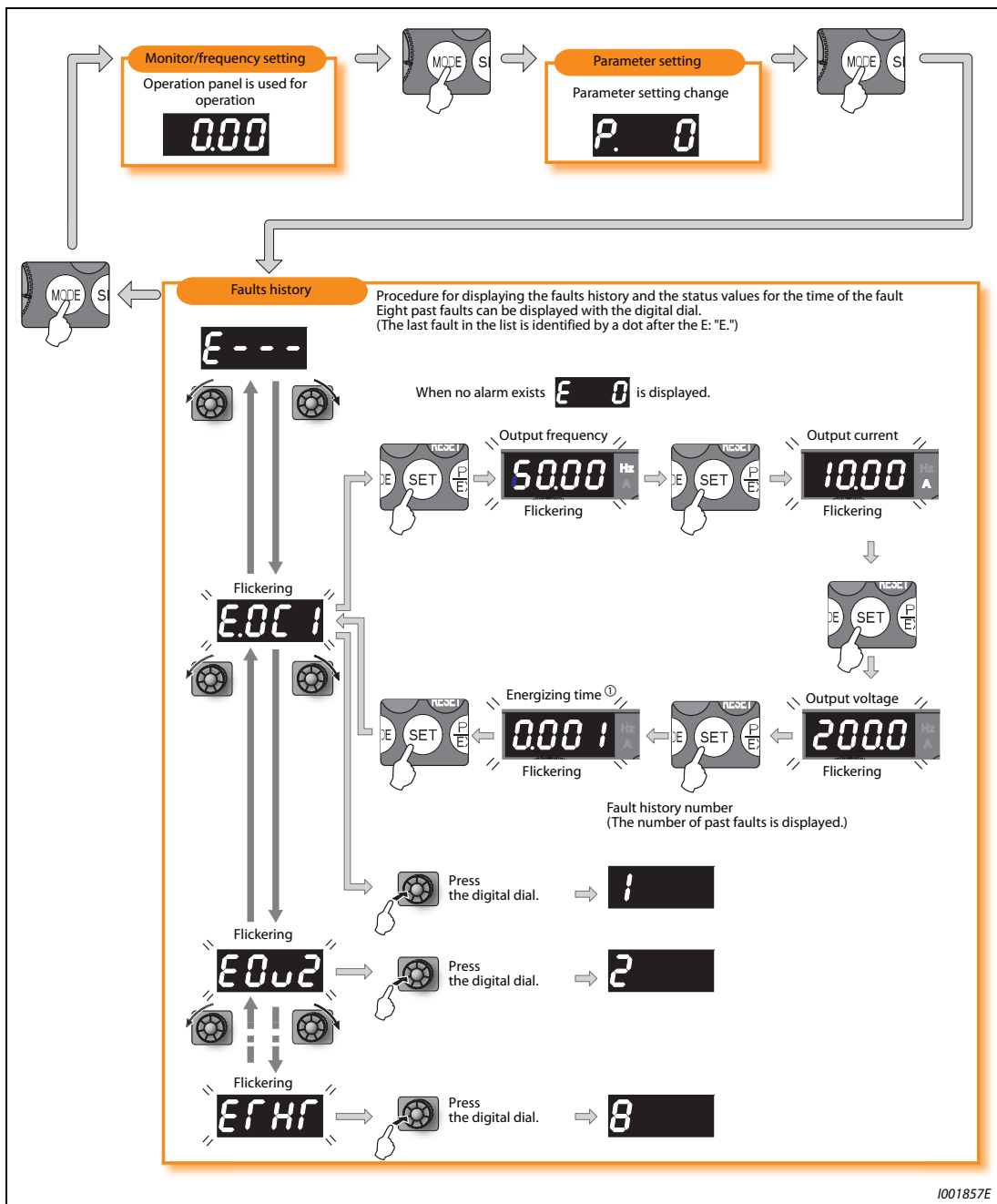
0	0	A	A	M	n
1	1	B	b	N	n
2	2	C	C	O	0
3	3	D	d	o	o
4	4	E	E	P	P
5	5	F	F	S	5
6	6	G	G	T	C
7	7	H	H	U	U
8	8	I	I	V	U
9	9	J	J	r	C
		L	L	-	-

1002141E

**Fig. 7-4:** Correspondences between digital and actual characters (operation panel)

## 7.5 Check and clear of the fault history

### Check for the fault history



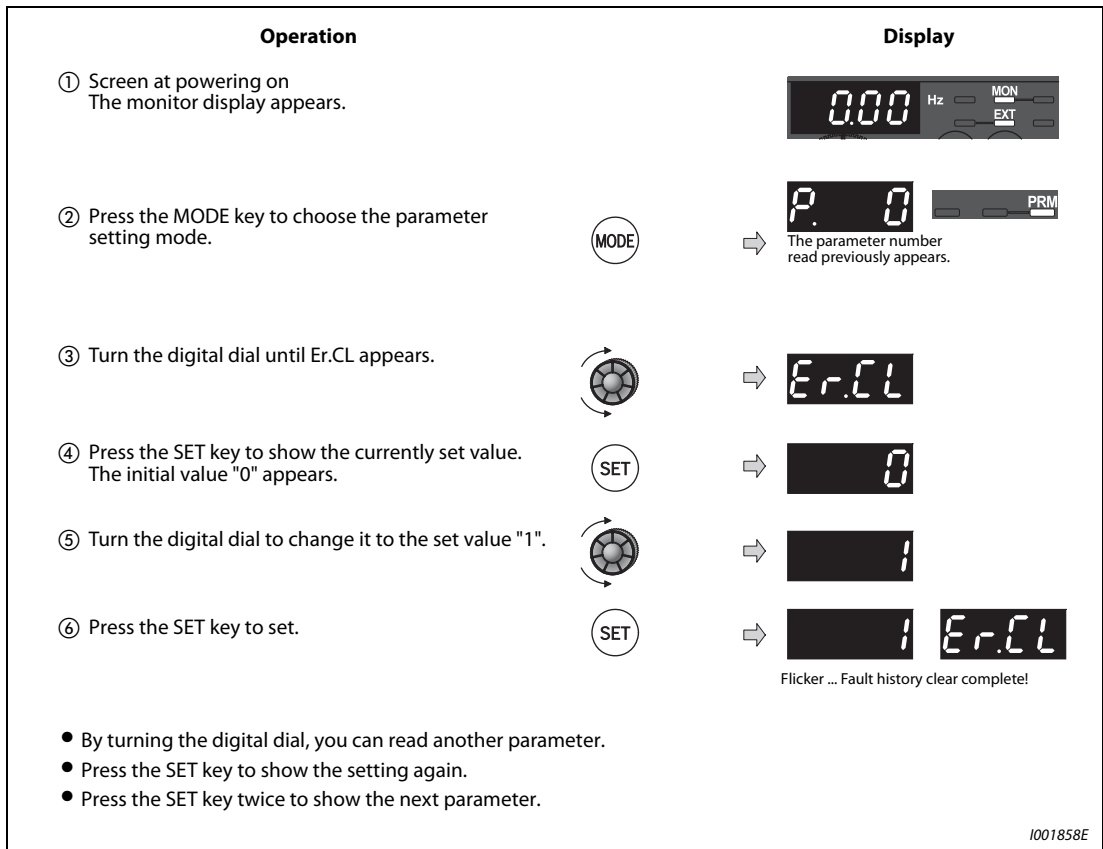
**Fig. 7-5:** Displaying the fault list and the status values for the time of the fault

- ① The cumulative energization time and actual operation time are accumulated from 0 to 65535 hours, then cleared, and accumulated again from 0. When the operation panel is used, the time is displayed up to 65.53 (65530h) in the indication of 1h = 0.001, and thereafter, it is added up from 0.



**Clearing procedure**

The fault history can be cleared by setting "1" in Er.CL "Faults history clear". (The fault history is not cleared when "1" is set in Pr. 77 "Parameter write selection".)



**Fig. 7-6:** Clearing the fault history

## 7.6 Check first when you have troubles

### 7.6.1 Motor does not start

Check Points	Possible Cause	Countermeasures	Refer to Page
Main circuit	Appropriate power supply voltage is not applied. (Operation panel display is not provided.)	Power ON a moulded case circuit breaker (MCCB), an earth leakage circuit breaker (ELB), or a magnetic contactor (MC). Check for the decreased input voltage, input phase loss, and wiring.	—
	Motor is not connected properly.	Check the wiring between the inverter and the motor.	3-6
	The jumper across P/+ and P1 is disconnected.	Securely fit a jumper across P/+ and P1. When using a DC reactor (FFR-HEL-(H)-E), remove the jumper across P/+ and P1, and then connect the DC reactor.	3-42
Input signal	Start signal is not input.	Check the start command source, and input a start signal. PU operation mode: RUN key External operation mode : STF/STR signal	6-207
	Both the forward and reverse rotation start signals (STF, STR) are input simultaneously.	Turn ON only one of the forward and reverse rotation start signals (STF or STR). When the STF and STR signals are turned ON simultaneously, a stop command is given.	3-14
	Frequency command is zero. (RUN LED of the operation panel flickers.)	Check the frequency command source and enter a frequency command.	6-207
	AU signal is not ON when terminal 4 is used for frequency setting. (RUN LED of the operation panel flickers.)	Turn ON the AU signal. Turning ON the AU signal activates terminal 4 input.	3-14
	Output stop signal (MRS) or reset signal (RES) is ON. (RUN LED on the operation panel flickers while MRS signal is ON.)	Turn MRS or RES signal OFF. Inverter starts the operation with a given start command and a frequency command after turning OFF MRS or RES signal. Before turning OFF, ensure the safety.	6-117, 7-18
	Jumper connector of sink - source is wrongly selected. (RUN LED of the operation panel flickers.)	Check that the control logic switchover jumper connector is correctly installed. If it is not installed correctly, input signal is not recognized.	3-26
	Shorting wires between S1 and PC, S2 and PC are disconnected.	Short between S1 and PC, S2 and PC with shorting wires.	3-23
	Voltage/current input switch is not correctly set for analog input signal (0 to 5V/0 to 10V, 4 to 20mA). (RUN LED of the operation panel flickers.)	Set Pr. 73, Pr. 267, and a voltage/current input switch correctly, then input an analog signal in accordance with the setting.	3-14
	The STOP/RESET key was pressed (Operation panel indication is "PS".)	During the External operation mode, check the method of restarting from a STOP/RESET key input stop from PU.	7-7
Two-wire or three-wire type connection is wrong.	Check the connection. Connect STOP signal when three-wire type is used.	6-120	

Check Points	Possible Cause	Countermeasures	Refer to Page
Parameter setting	Pr. 0 "Torque boost" setting is improper when V/F control is used.	Increase Pr. 0 setting by 0.5% increments while observing the rotation of a motor. If that makes no difference, decrease the setting.	6-33
	Pr. 78 "Reverse rotation prevention selection" is set.	Check the Pr. 78 setting. Set Pr. 78 when you want to limit the motor rotation to only one direction.	6-195
	Pr. 79 "Operation mode selection" setting is wrong.	Select the operation mode which corresponds with input methods of start command and frequency command.	6-207
	Bias and gain (calibration parameter C2 to C7) settings are improper.	Check the bias and gain (calibration parameter C2 to C7) settings.	6-181
	Pr. 13 "Starting frequency" setting is greater than the running frequency.	Set running frequency higher than Pr. 13. The inverter does not start if the frequency setting signal is less than the value set in Pr. 13.	6-73
	Frequency settings of various running frequency (such as multi-speed operation) are zero. Especially, Pr. 1 "Maximum frequency" is zero.	Set the frequency command according to the application. Set Pr. 1 higher than the actual frequency used.	6-50
	Pr. 15 "Jog frequency" setting is lower than Pr. 13 "Starting frequency".	Set Pr. 15 "Jog frequency" higher than Pr. 13 "Starting frequency".	6-61
	Operation mode and a writing device do not match.	Check Pr. 79, Pr. 338, Pr. 339, Pr. 550, Pr. 551, and select an operation mode suitable for the purpose.	6-204, 6-218
	Start signal operation selection is set by the Pr. 250 "Stop selection".	Check Pr. 250 setting and connection of STF and STR signals.	6-120
	Inverter decelerated to a stop when power failure deceleration stop function is selected.	When power is restored, ensure the safety, and turn OFF the start signal once, then turn ON again to restart. Inverter restarts when Pr. 261="2".	6-163
	Performing auto tuning.	When offline auto tuning ends, press the STOP/RESET key of the operation panel for the PU operation. For the External operation, turn OFF the start signal (STF or STR). This operation resets the offline auto tuning, and the PU's monitor display returns to the normal indication. (Without this operation, next operation cannot be started.)	6-88
	Automatic restart after instantaneous power failure function or power failure stop function is activated. (Performing overload operation with single-phase power input specification model may cause voltage insufficiency, and results in a detection of power failure.)	<ul style="list-style-type: none"> <li>● Disable the automatic restart after instantaneous power failure function and power failure stop function.</li> <li>● Reduce the load.</li> <li>● Increase the acceleration time if the automatic restart after instantaneous power failure function or power failure stop function occurred during acceleration.</li> </ul>	6-151, 6-163
Load	Load is too heavy.	Reduce the load.	—
	Shaft is locked.	Inspect the machine (motor).	—
Others	Operation panel display shows an error (e.g. E.O.C1).	When any fault occurs, take an appropriate corrective action, then reset the inverter, and resume the operation.	7-2

## 7.6.2 Motor or machine generates abnormal noise

Check Points	Possible Cause	Countermeasures	Refer to Page
Input signal	Disturbance due to EMI when frequency command is given from analog input (terminal 2, 4).	Take countermeasures against EMI.	3-43
Parameter setting		Increase the Pr. 74 "Input filter time constant" if steady operation cannot be performed due to EMI.	6-180
Parameter setting	No carrier frequency noises (metallic noises) are generated.	In the initial setting, Pr. 240 "Soft-PWM operation selection" is enabled to change motor noise to an unoffending complex tone. Therefore, no carrier frequency noises (metallic noises) are generated. Set Pr. 240 = "0" to disable this function.	6-173
	Resonance occurs (output frequency)	Set Pr. 31 to Pr. 36 "Frequency jump". When it is desired to avoid resonance attributable to the natural frequency of a mechanical system, these parameters allow resonant frequencies to be jumped.	6-52
	Resonance occurs (carrier frequency)	Change Pr. 72 "PWM frequency selection" setting. Changing the PWM carrier frequency produces an effect on avoiding the resonance frequency of a mechanical system or a motor.	6-173
	Auto tuning is not performed under Advanced magnetic flux vector control or General-purpose magnetic flux vector control.	Perform offline auto tuning.	6-88
	Gain adjustment during PID control is insufficient.	To stabilize the measured value, change the proportional band (Pr. 129) to a larger value, the integral time (Pr. 130) to a slightly longer time, and the differential time (Pr. 134) to a slightly shorter time. Check the calibration of set point and measured value.	6-277
Others	Mechanical looseness	Adjust machine/equipment so that there is no mechanical looseness.	—
Motor	Operating with output phase loss	Check the motor wiring.	—
	Contact the motor manufacturer.		

## 7.6.3 Inverter generates abnormal noise

Check Points	Possible Cause	Countermeasures	Refer to Page
Fan	Fan cover was not correctly installed when a cooling fan was replaced.	Install a fan cover correctly.	8-6

### 7.6.4 Motor generates heat abnormally

Check Points	Possible Cause	Countermeasures	Refer to Page
Motor	Motor fan is not working (Dust is accumulated.)	Clean the motor fan. Improve the environment.	—
	Phase to phase insulation of the motor is insufficient.	Check the insulation of the motor.	—
Main circuit	The inverter output voltage (U, V, W) are unbalanced.	Check the output voltage of the inverter. Check the insulation of the motor.	8-2
Parameter setting	The Pr. 71 "Applied motor" setting is wrong.	Check the Pr. 71 "Applied motor" setting.	6-85
—	Motor current is large.	Refer to "7.6.11 Motor current is too large"	7-29

### 7.6.5 Motor rotates in opposite direction

Check Points	Possible Cause	Countermeasures	Refer to Page
Main circuit	Phase sequence of output terminals U, V and W is incorrect.	Connect phase sequence of the output cables (terminal U, V, W) to the motor correctly	3-6
Input signal	The start signals (forward rotation, reverse rotation) are connected improperly.	Check the wiring. (STF: forward rotation, STR: reverse rotation)	3-14
	Adjustment by the output frequency is improper during the reversible operation with Pr. 73 "Analog input selection" setting.	Check the setting of Pr. 125, Pr. 126, C2 to C7.	6-85
Parameter setting	Pr. 40 "RUN key rotation direction selection" setting is incorrect.	Check the Pr. 40 setting.	6-313

### 7.6.6 Speed greatly differs from the setting

Check Points	Possible Cause	Countermeasures	Refer to Page
Input signal	Frequency setting signal is incorrectly input.	Measure the input signal level.	—
	The input signal lines are affected by external EMI.	Take countermeasures against EMI such as using shielded wires for input signal lines.	3-47
Parameter setting	Pr. 1, Pr. 2, Pr. 18, calibration parameter C2 to C7 settings are improper.	Check the settings of Pr. 1 "Maximum frequency", Pr. 2 "Minimum frequency", Pr. 18 "High speed maximum frequency".	6-50
		Check the calibration parameter C2 to C7 settings.	6-181
	Pr. 31 to Pr. 36 "Frequency jump" settings are improper.	Narrow down the range of frequency jump.	6-52
Load	Stall prevention is activated due to a heavy load.	Reduce the load weight.	—
Parameter setting		Set Pr. 22 "Stall prevention operation level" higher according to the load. (Setting Pr. 22 too large may result in frequent overcurrent trip (E.O□).)	6-42
Motor		Check the capacities of the inverter and the motor.	—

### 7.6.7 Acceleration/deceleration is not smooth

Check Points	Possible Cause	Countermeasures	Refer to Page
Parameter setting	Acceleration/deceleration time is too short.	Increase acceleration/deceleration time.	6-69
	Torque boost (Pr. 0, Pr. 46) setting is improper under V/F control, so the stall prevention function is activated.	Increase/decrease Pr. 0 "Torque boost" setting value by 0.5% increments to the setting.	6-33
	The base frequency does not match the motor characteristics.	For V/F control, set Pr. 3 "Base frequency" and Pr. 47 "Second V/F (base frequency)".	6-54
		For Advanced magnetic flux vector control or General-purpose magnetic flux vector control, set Pr. 84 "Rated motor frequency".	6-88
	Stall prevention function is activated due to a heavy load.	Reduce the load weight.	—
		Set Pr. 22 "Stall prevention operation level" higher according to the load. (Setting Pr. 22 too large may result in frequent overcurrent trip (E.OC□).)	6-42
	Check the capacities of the inverter and the motor.	—	
Regeneration avoidance operation is performed	If the frequency becomes unstable during regeneration avoidance operation, decrease the setting of Pr. 886 "Regeneration avoidance voltage gain".	6-298	

### 7.6.8 Speed varies during operation



When Advanced magnetic flux vector control or the slip compensation is selected, the output frequency varies between 0 and 2Hz as load fluctuates. This is a normal operation and not a fault.

Check Points	Possible Cause	Countermeasures	Refer to Page
Input signal	Multi-speed command signal is chattering.	Take countermeasures to suppress chattering.	—
Load	Load varies during an operation.	Select Advanced magnetic flux vector control or General-purpose magnetic flux vector control.	6-39
Input signal	Frequency setting signal is varying.	Check the frequency reference signal.	—
	The frequency setting signal is affected by EMI.	Set filter to the analog input terminal using Pr. 74 "Input filter time constant".	6-180
		Take countermeasures against EMI, such as using shielded wires for input signal lines.	3-47
	Malfunction is occurring due to the undesirable current generated when the transistor output unit is connected.	Use terminal PC (terminal SD when source logic) as a common terminal to prevent a malfunction caused by undesirable current.	3-26
Parameter setting	Pr. 80 "Motor capacity" and Pr. 81 "Number of motor poles" setting is improper for the capacities of the inverter and the motor for Advanced magnetic flux vector control or General-purpose magnetic flux vector control.	Check the Pr. 80 "Motor capacity" and Pr. 81 "Number of motor poles" setting.	6-39
	Fluctuation of power supply voltage is too large.	Change the Pr. 19 "Base frequency voltage" setting (about 3%) under V/F control.	6-54
	Hunting occurs by the generated vibration, for example, when structural rigidity at load side is insufficient.	Disable automatic control functions, such as energy saving operation, fast-response current limit function, regeneration avoidance function, Advanced magnetic flux vector control, General-purpose magnetic flux vector control, and stall prevention. During the PID control, set smaller values to Pr. 129 "PID proportional band" and Pr. 130 "PID integral time". Lower the control gain, and adjust to increase the stability.	—
		Change Pr. 72 "PWM frequency selection" setting.	6-173
Others	Wiring length exceeds 30m when Advanced magnetic flux vector control or General-purpose magnetic flux vector control is performed.	Perform offline auto tuning.	6-88
	Wiring length is too long for V/F control, and a voltage drop occurs.	Adjust Pr. 0 Torque boost by increasing with 0.5% increments for low-speed operation.	6-33
		Change to Advanced magnetic flux vector control or General-purpose magnetic flux vector control.	6-39

### 7.6.9 Operation mode is not changed properly

Check Points	Possible Cause	Countermeasures	Refer to Page
Input signal	Start signal (STF or STR) is ON.	Check that the STF and STR signals are OFF. When either is ON, the operation mode cannot be changed.	6-204
Parameter setting	Pr. 79 setting is improper.	When the Pr. 79 "Operation mode selection" setting is "0" (initial value), the inverter is placed in the external operation mode at input power-on. At this time, press the PU/EXT key on the operation panel (press the PU key when the parameter unit (FR-PU04/FR-PU07) is used) to switch to the PU operation mode. For other values (1 to 4, 6, 7), the operation mode is limited accordingly.	6-204
	Operation mode and a writing device do not correspond.	Check Pr. 79, Pr. 338, Pr. 339, Pr. 550, Pr. 551, and select an operation mode suitable for the purpose.	6-204, 6-218

### 7.6.10 Operation panel display is not operating

Check Points	Possible Cause	Countermeasures	Refer to Page
Main circuit	Wiring or installation is improper.	Check for the wiring and the installation.	3-4
		Make sure that the connector is fitted securely across terminal P/+ and P1.	
Control circuit	Power is not input.	Input the power.	3-4
Parameter setting	Command sources at the PU operation mode is not be the operation panel. (None of the operation mode displays (  ) is lit.)	Check the setting of Pr. 551 "PU mode operation command source selection". (If parameter unit (FR-PU04/FR-PU07) is connected while Pr. 551 = "9999" (initial setting), all the operation mode displays (  ) turn OFF.)	6-218



**7.6.11 Motor current is too large**

Check Points	Possible Cause	Countermeasures	Refer to Page
Parameter setting	Torque boost (Pr. 0, Pr. 46) setting is improper under V/F control, so the stall prevention function is activated.	Increase/decrease Pr. 0 "Torque boost" setting value by 0.5% increments to the setting.	6-33
	V/F pattern is improper when V/F control is performed. (Pr. 3, Pr. 14, Pr. 19)	Set rated frequency of the motor to Pr. 3 "Base frequency". Use Pr. 19 "Base frequency voltage" to set the base voltage (e.g. rated motor voltage).	6-54
		Change Pr. 14 "Load pattern selection" according to the load characteristic.	6-56
	Stall prevention function is activated due to a heavy load.	Reduce the load weight.	—
		Set Pr. 22 "Stall prevention operation level" higher according to the load. (Setting Pr. 22 too large may result in frequent overcurrent trip (E.O□).)	6-42
	Check the capacities of the inverter and the motor.	—	
Auto tuning is not performed under Advanced magnetic flux vector control or General-purpose magnetic flux vector control.	Perform offline auto tuning.	6-88	

## 7.6.12 Speed does not accelerate

Check Points	Possible Cause	Countermeasures	Refer to Page
Input signal	Start command and frequency command are chattering.	Check if the start command and the frequency command are correct.	—
	The wiring length used for analog frequency command is too long, and it is causing a voltage (current) drop.	Perform analog input bias/gain calibration.	6-181
	Input signal lines are affected by external EMI.	Take countermeasures against EMI, such as using shielded wires for input signal lines.	3-47
Parameter setting	Pr. 1, Pr. 2, Pr. 18, calibration parameter C2 to C7 settings are improper.	Check the settings of Pr. 1 "Maximum frequency" and Pr. 2 "Minimum frequency". If you want to run the motor at 120Hz or higher, set Pr. 18 "High speed maximum frequency".	6-50
		Check the calibration parameter C2 to C7 settings.	6-181
	Torque boost (Pr. 0, Pr. 46) setting is improper under V/F control, so the stall prevention function is activated.	Increase/decrease Pr. 0 "Torque boost" setting value by 0.5% increments so that stall prevention does not occur.	6-33
	V/F pattern is improper when V/F control is performed. (Pr. 3, Pr. 14, Pr. 19)	Set rated frequency of the motor to Pr. 3 "Base frequency". Use Pr. 19 "Base frequency voltage" to set the base voltage (e.g. rated motor voltage).	6-54
		Change Pr. 14 "Load pattern selection" according to the load characteristic.	6-56
	Stall prevention is activated due to a heavy load.	Reduce the load weight.	—
		Set Pr. 22 "Stall prevention operation level" higher according to the load. (Setting Pr. 22 too large may result in frequent overcurrent trip (E.O.C□).)	6-42
		Check the capacities of the inverter and the motor.	—
Auto tuning is not performed under Advanced magnetic flux vector control or General-purpose magnetic flux vector control.	Perform offline auto tuning.	6-88	
During PID control, output frequency is automatically controlled to make measured value = set point.		6-277	
Main circuit	Brake resistor is connected between terminal P/+ and P1 or between terminal P1 and PR by mistake.	Connect an optional brake transistor (MRS type, FR-ABR) between terminal P/+ and PR.	3-34

### 7.6.13 Unable to write parameter setting

Check Points	Possible Cause	Countermeasures	Refer to Page
Input signal	Operation is being performed (signal STF or STR is ON).	Stop the operation. When Pr. 77 = "0" (initial value), write is enabled only during a stop.	6-193
Parameter setting	You are attempting to set the parameter in the External operation mode.	Choose the PU operation mode. Or, set Pr. 77 = "2" to enable parameter write regardless of the operation mode.	6-193
	Parameter is disabled by the Pr. 77 "Parameter write selection" setting.	Check Pr. 77 "Parameter write selection" setting.	6-193
	Key lock is activated by the Pr. 161 "Frequency setting/key lock operation selection" setting.	Check Pr. 161 "Frequency setting/key lock operation selection" setting.	6-314
	Operation mode and a writing device do not correspond.	Check Pr. 79, Pr. 338, Pr. 339, Pr. 550, Pr. 551, and select an operation mode suitable for the purpose.	6-204, 6-218

## 7.7 Meters and measuring methods

**NOTE**

For further information about measurements at the inverter refer to section 8.2.

Since voltages and currents in the primary and secondary side of the inverter include harmonics, different meters indicate different measured values.

When installing meters etc. on the inverter output side  
 When the inverter-to-motor wiring length is large, especially in the 400V class, large-capacity models, the meters and CTs may generate heat due to line-to-line leakage current. Therefore, choose the equipment which has enough allowance for the current rating.

When measuring and indicating the output voltage and output current of the inverter, it is recommended to utilize the AM-5 terminal output function of the inverter.

When using measuring instruments for the normal frequency range, carry out the measurements as described below.

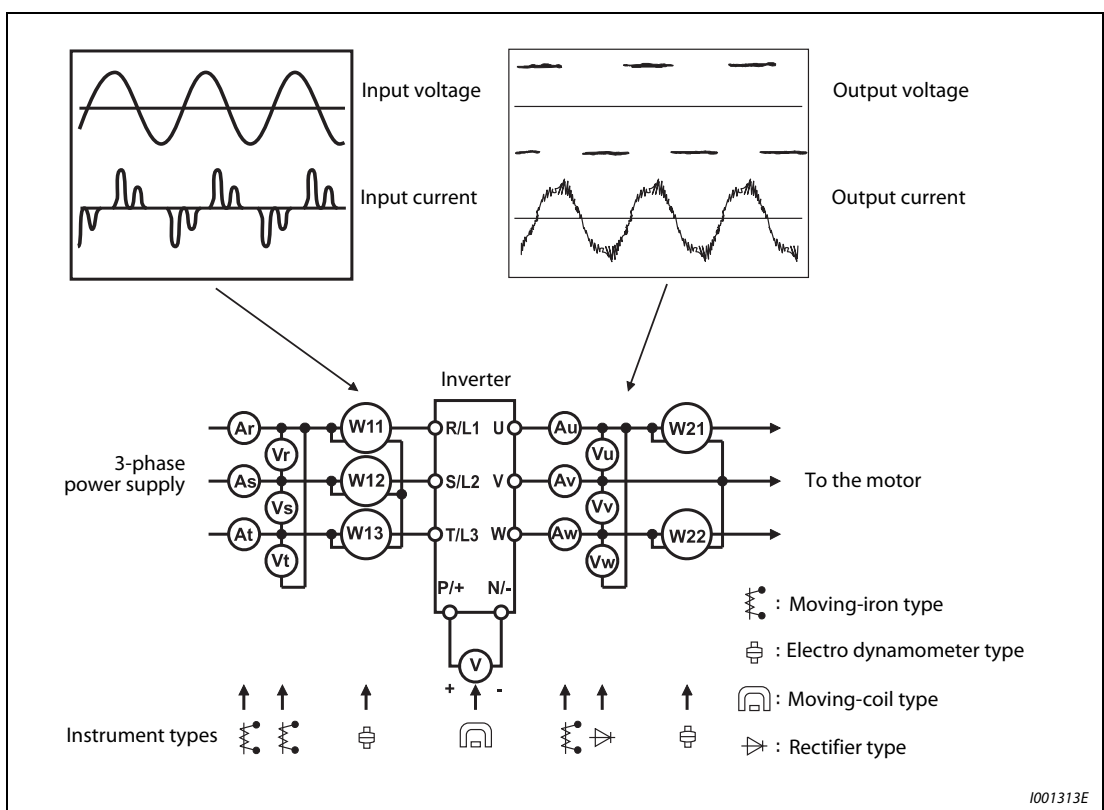
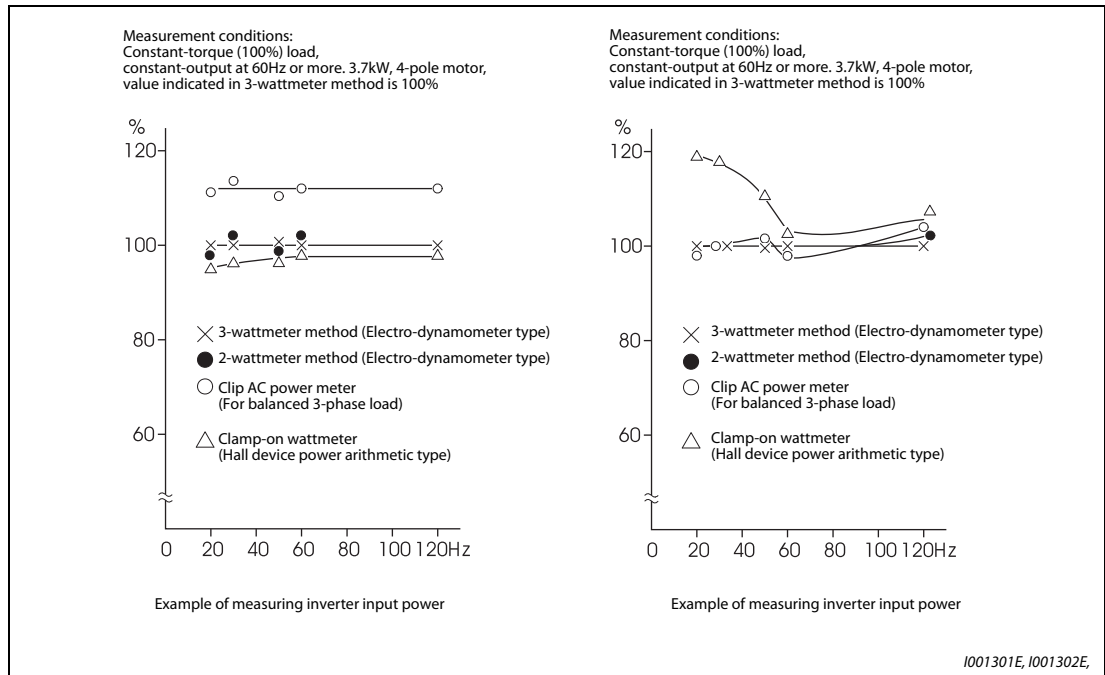


Fig. 7-7: Measurements at the main circuit

### 7.7.1 Measurement of powers

Use digital power meters (for inverter) or an electro-dynamometer type meter, measure the power in both the input and output sides of the inverter using the two- or three-wattmeter method. As the current is liable to be imbalanced especially in the input side, it is recommended to use the three-wattmeter method.

Examples of measured value differences produced by different measuring meters are shown below. An error will be produced by difference between measuring instruments, e.g. power calculation type and two- or three-wattmeter type three-phase wattmeter. When a CT is used in the current measuring side or when the meter contains a PT on the voltage measurement side, an error will also be produced due to the frequency characteristics of the CT and PT.



**Fig. 7-8:** Differences when measuring power with different instruments

### 7.7.2 Measurement of voltages and use of PT

#### Inverter input side

As the input side voltage has a sine wave and it is extremely small in distortion, accurate measurement can be made with an ordinary AC meter.

#### Inverter output side

Since the output side voltage has a PWM-controlled rectangular wave, always use a rectifier type voltmeter. A needle type tester can not be used to measure the output side voltage as it indicates a value much greater than the actual value. A moving-iron type meter indicates an effective value which includes harmonics and therefore the value is larger than that of the fundamental wave. The value monitored on the operation panel is the inverter-controlled voltage itself. Hence, that value is accurate and it is recommended to monitor values (provide analog output) using the operation panel.

#### PT

No PT can be used in the output side of the inverter. Use a direct-reading meter. (A PT can be used in the input side of the inverter.)

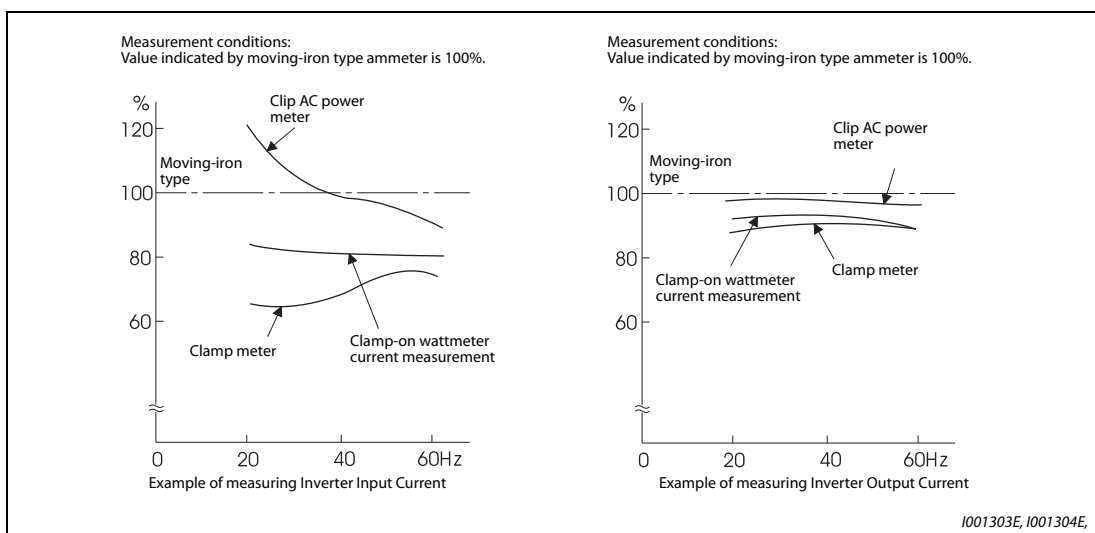
### 7.7.3 Measurement of currents

Use a moving-iron type meter on both the input and output sides of the inverter. However, if the carrier frequency exceeds 5kHz, do not use that meter since an overcurrent losses produced in the internal metal parts of the meter will increase and the meter may burn out. In this case, use an approximate-effective value type.

Since current on the inverter input side tends to be unbalanced, measurement of three phases is recommended. Correct value can not be obtained by measuring only one or two phases. On the other hand, the unbalanced ratio of each phase of the output side current should be within 10%.

When a clamp ammeter is used, always use an effective value detection type. A mean value detection type produces a large error and may indicate an extremely smaller value than the actual value. The value monitored on the operation panel is accurate if the output frequency varies, and it is recommended to monitor values (provide analog output) using the operation panel.

Examples of process value differences produced by different measuring meters are shown below.



**Fig. 7-9:** Differences when measuring currents with different instruments

#### 7.7.4 Use of CT and transducer

A CT may be used in both the input and output sides of the inverter, but the one used should have the largest possible VA ability because an error will increase if the frequency gets lower. When using a transducer, use the effective value calculation type which is immune to harmonics.

#### 7.7.5 Measurement of inverter input power factor

Use the effective power and apparent power to calculate the inverter input power factor. A power-factor meter cannot indicate an exact value.

$$\begin{aligned} \text{Total power factor of the inverter} &= \frac{\text{Effective power}}{\text{Apparent power}} \\ &= \frac{\text{3-phase input power found by 3-wattmeter method}}{\sqrt{3} \times V (\text{power supply voltage}) \times I (\text{input current effective value})} \end{aligned}$$

#### 7.7.6 Measurement of converter output voltage (across terminals P/+ and N/-)

The output voltage of the converter is developed across terminals P/+ and N/- and can be measured with a moving-coil type meter (tester). Although the voltage varies according to the power supply voltage, approximately 270V DC to 300V DC (540V DC to 600V DC for the 400V class) is output when no load is connected and voltage decreases during driving load operation.

When energy is regenerated from the motor during deceleration, for example, the converter output voltage rises to nearly 400VDC to 450VDC (800V DC to 900V DC for the 400V class) maximum. When this value is reached the alarm message E.OV□ is displayed and the inverter output is shut off.





## 8 Maintenance and inspection

The inverter is a static unit mainly consisting of semiconductor devices. Daily inspection must be performed to prevent any fault from occurring due to the adverse effects of the operating environment, such as temperature, humidity, dust, dirt and vibration, changes in the parts with time, service life, and other factors.



**WARNING:**

*Wait for a period of well over 10 minutes after disconnecting from the power supply before performing any service work on the frequency inverter. This is necessary so that the capacitors can discharge down to a safe level (< 25V) after disconnection of the mains power. Check the voltage across the main circuit terminals P/+ and N/- (+ and - respectively) of the inverter using a tester.*

### 8.1 Inspection

#### 8.1.1 Daily inspection

Basically, check for the following faults during operation:

- Motor operation fault
- Improper installation environment
- Cooling system fault
- Unusual vibration and noise
- Unusual overheat and discoloration

#### 8.1.2 Periodic inspection

Check the areas inaccessible during operation and requiring periodic inspection. Consult your sales representative for periodic inspection.

- Check for cooling system fault . . . . . Clean the air filter, etc.
- Tightening check and retightening . . . . The screws and bolts may become loose due to vibration, temperature changes, etc.  
Tighten them according to the specified tightening torque. (Refer to page 3-9.)
- Check the conductors and insulating materials for corrosion and damage.
- Measure insulation resistance.
- Check and change the cooling fan and relay.

When using the safety stop function, periodic inspection is required to confirm that safety function of the safety system operates correctly.

For more details, refer to the Safety stop function instruction manual (BCN-A211508-004). (Please contact your sales representative for the manual.)

### 8.1.3 Daily and periodic inspection

Area of Inspection	Inspection Item	Description	Interval		Corrective Action at Alarm Occurrence	Customer's Check
			Daily	Periodic <sup>②</sup>		
General	Surrounding environment	Check the ambient temperature, humidity, dirt, corrosive gas, oil mist, etc.	✓		Improve environment	
	Overall unit	Check for unusual vibration and noise.	✓		Check alarm location and retighten	
	Power supply voltage	Check that the main circuit voltages are normal. ①	✓		Inspect the power supply	
Main circuit	General	1) Check with megger (across main circuit terminals and earth (ground) terminal). 2) Check for loose screws and bolts. 3) Check for overheat traces on the parts. 4) Check for stain		✓ ✓ ✓ ✓	Contact the manufacturer Retighten Contact the manufacturer Clean	
	Conductors, cables	1) Check conductors for distortion. 2) Check cable sheaths for breakage		✓ ✓	Contact the manufacturer Contact the manufacturer	
	Transformer/reactor	Check for unusual odor and abnormal increase in whining sound.	✓		Stop the device and contact the manufacturer.	
	Terminal block	Check for damage.		✓	Stop the device and contact the manufacturer.	
	Smoothing aluminum electrolytic capacitor	1) Check for liquid leakage. 2) Check for safety valve projection and bulge. 3) Visual check and judge by the life check of the main circuit capacitor (Refer to section 8.1.4.)		✓ ✓ ✓	Contact the manufacturer Contact the manufacturer	
	Relay/contactor	Check that the operation is normal and no chatter is heard.		✓	Contact the manufacturer	
	Control circuit/Protective circuit	Operation check	1) Check that the output voltages across phases with the inverter operated alone is balanced. 2) Check that no fault is found in protective and display circuits in a sequence protective operation test.		✓ ✓	Contact the manufacturer Contact the manufacturer
Parts check		Overall		✓ ✓	Stop the device and contact the manufacturer Contact the manufacturer	
		Aluminum electrolytic capacitor	1) Check for liquid leakage in a capacitor and deformation trace 2) Visual check and judge by the life check of the control circuit capacitor. (Refer to section 8.1.4.)		✓ ✓	Contact the manufacturer
Cooling system	Cooling fan	1) Check for unusual vibration and noise. 2) Check for loose screws and bolts. 3) Check for stain.	✓	✓ ✓ ✓	Replace the fan Fix with the fan cover fixing screws Clean	
	Heatsink	1) Check for clogging. 2) Check for stain.		✓ ✓	Clean Clean	

**Tab. 8-1:** Daily and periodic inspection (1)

Area of Inspection	Inspection Item	Description	Interval		Corrective Action at Alarm Occurrence	Customer's Check
			Daily	Periodic <sup>②</sup>		
Display	Indication	1) Check that display is normal. 2) Check for stain.	✓		Contact the manufacturer	
	Meter	Check that reading is normal.	✓		Clean	
Load motor	Operation check	Check for vibration and abnormal increase in operation noise.	✓		Stop the device and contact the manufacturer.	

**Tab. 8-1:** Daily and periodic inspection (2)

- ① It is recommended to install a device to monitor voltage for checking the power supply voltage to the inverter.
- ② One to two years of periodic inspection cycle is recommended. However, it differs according to the installation environment. For a periodic inspection, contact your sales representative.

### 8.1.4 Display of the life of the inverter parts

The self-diagnostic alarm is output when the life span of the control circuit capacitor, cooling fan and each parts of the inrush current limit circuit is near to give an indication of replacement time.

For the life check of the main circuit capacitor, the alarm signal (Y90) will not be output if a measuring method using Parameter 259 is not performed. (Refer to the description below.)

The life alarm output can be used as a guideline for life judgement:

Parts	Judgement Level
Main circuit capacitor	85% of the initial capacity
Control circuit capacitor	Estimated 10% life remaining
Inrush current limit circuit	Estimated 10% life remaining (Power on: 100,000 times left)
Cooling fan	Less than 50% of the predetermined speed

**Tab. 8-2:** Guideline for the alarm signal output


**NOTE**

Refer to section 6.21.2 to perform the life check of the inverter parts.

### 8.1.5 Checking the inverter and converter modules

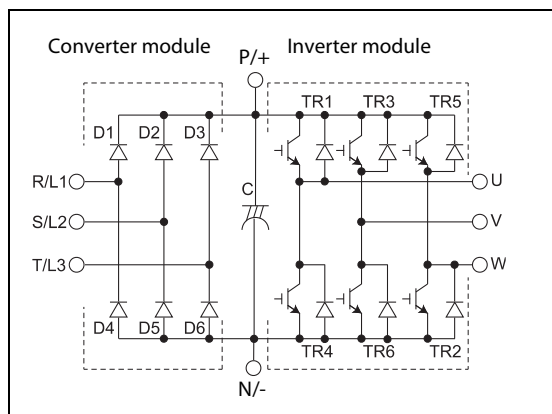
Disconnect the external power supply cables (R/L1, S/L2, T/L3) and motor cables (U, V, W). Prepare a tester. (Use 100Ω range.)

Change the polarity of the tester alternately at the inverter terminals R/L1, S/L2, T/L3, U, V, W, P/+ and N/−, and check for continuity.



**CAUTION:**  
**Before measurement, check that the smoothing capacitor is discharged.**

At the time of discontinuity, the measured value is almost ∞. When there is an instantaneous continuity, due to the smoothing capacitor, the tester may not indicate ∞. At the time of continuity, the measured value is several to several ten's-of ohms depending on the module type, circuit tester type, etc. If all measured values are almost the same, the modules are without fault.



**Fig. 8-1:**  
 Module device numbers and terminals to be checked

1002039E

		Tester Polarity		Measured Value			Tester Polarity		Measured Value
		⊕	⊖				⊕	⊖	
Converter module	D1	R/L1	P/+	Discontinuity	D4	R/L1	N/−	Continuity	
		P/+	R/L1	Continuity		N/−	R/L1	Discontinuity	
	D2	S/L2	P/+	Discontinuity	D5	S/L2	N/−	Continuity	
		P/+	S/L2	Continuity		N/−	S/L2	Discontinuity	
	D3 ①	T/L3 ①	P/+	Discontinuity	D6 ①	T/L3 ①	N/−	Continuity	
		P/+	T/L3 ①	Continuity		N/−	T/L3 ①	Discontinuity	
Inverter module	TR1	U	P/+	Discontinuity	TR4	U	N/−	Continuity	
		P/+	U	Continuity		N/−	U	Discontinuity	
	TR3	V	P/+	Discontinuity	TR6	V	N/−	Continuity	
		P/+	V	Continuity		N/−	V	Discontinuity	
	TR5	W	P/+	Discontinuity	TR2	W	N/−	Continuity	
		P/+	W	Continuity		N/−	W	Discontinuity	

**Tab. 8-3:** Continuity check of the modules

① T/L3, D3 and D6 are only for the three-phase power input specification models.

### 8.1.6 Cleaning

Always run the inverter in a clean status. When cleaning the inverter, gently wipe dirty areas with a soft cloth immersed in neutral detergent or ethanol.



**CAUTION:**

*Do not use solvent, such as acetone, benzene, toluene and alcohol, as they will cause the inverter surface paint to peel off.*

*The display, etc. of the operation panel and parameter unit (FR-PU04/FR-PU07) are vulnerable to detergent and alcohol. Therefore, avoid using them for cleaning.*

### 8.1.7 Replacement of parts

The inverter consists of many electronic parts such as semiconductor devices.

The following parts may deteriorate with age because of their structures or physical characteristics, leading to reduced performance or fault of the inverter. For preventive maintenance, the parts must be replaced periodically.

Use the life check function as a guidance of parts replacement.

Part Name	Standard Replacement Interval <sup>①</sup>	Description
Cooling fan	10 years	Replace (as required)
Main circuit smoothing capacitor	10 years <sup>②</sup>	Replace (as required)
On-board smoothing capacitor	10 years	Replace the board (as required)
Relays	—	As required

**Tab. 8-4:** Wearing parts

- ① Replacement years for when the yearly average ambient temperature is 40°C (without corrosive gas, flammable gas, oil mist, dust and dirt etc.)
- ② Output current: 80% of the inverter rated current

**NOTE**

For parts replacement, consult the nearest Mitsubishi FA Centre.

**Cooling fan**

The replacement interval of the cooling fan used for cooling the parts generating heat such as the main circuit semiconductor is greatly affected by the ambient temperature. When unusual noise and/or vibration is noticed during inspection, the cooling fan must be replaced immediately.

**NOTE**

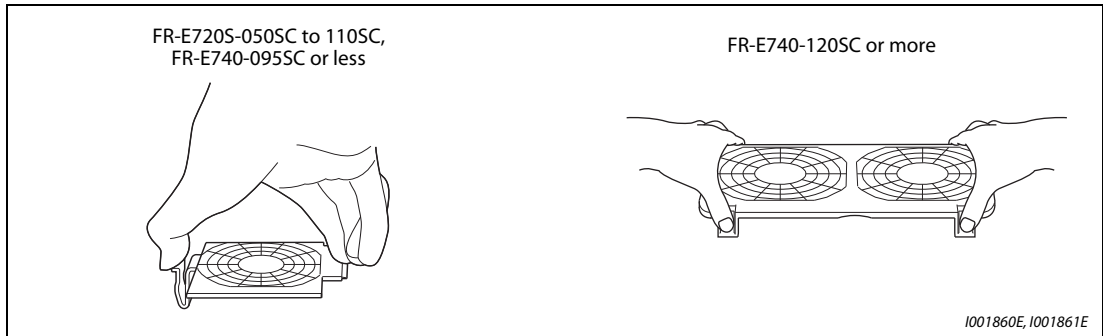
The FR-E720S-030SC or less and the FR-E740-026SC or less are not provided with a cooling fan.

**WARNING:**

**Switch the power off before replacing fans. Since the inverter circuits are charged with voltage even after power off, replace fans only when the inverter cover is on the inverter to prevent an electric shock accident.**

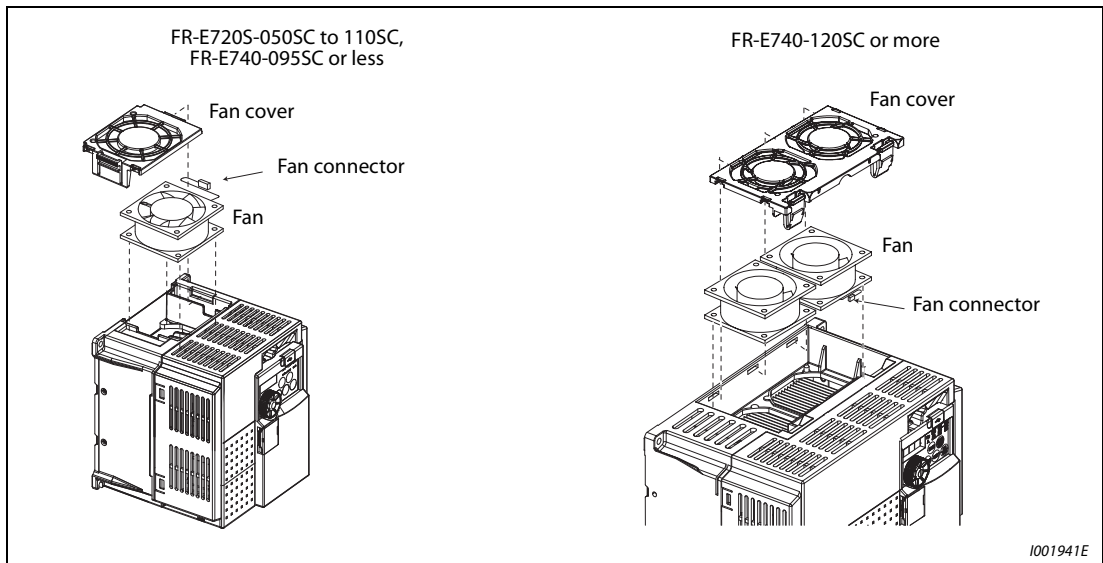
- Removal of the fan

- ① Push the hooks of the fan cover from above. Remove the fan cover.



**Fig. 8-2:** Removal of the fan cover

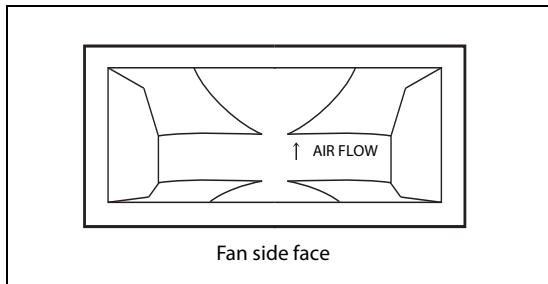
- ② Disconnect the fan connector.
- ③ Remove the fan.



**Fig. 8-3:** Removal of the fan

● Reinstallation of the fan

- ① After confirming the orientation of the fan, reinstall the fan so that the arrow on the left of "AIR FLOW" faces up.



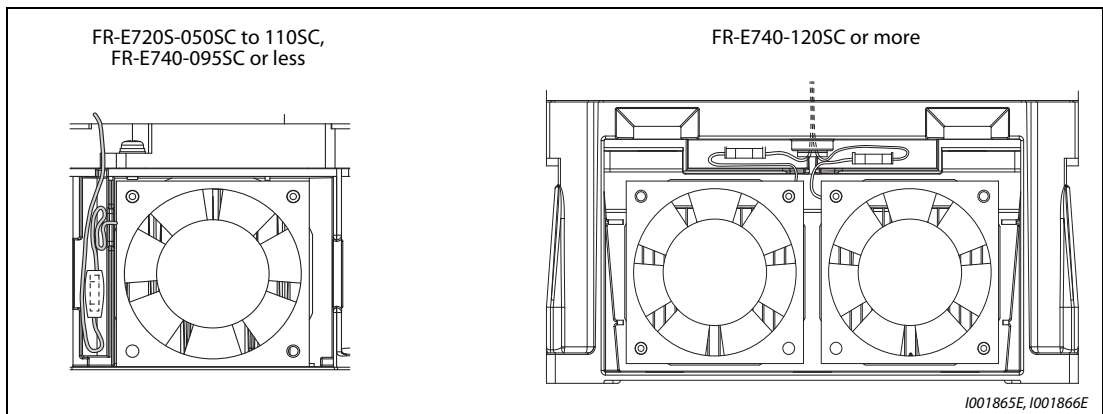
**Fig. 8-4:**  
Orientation of the fan

I001864E

**NOTE**

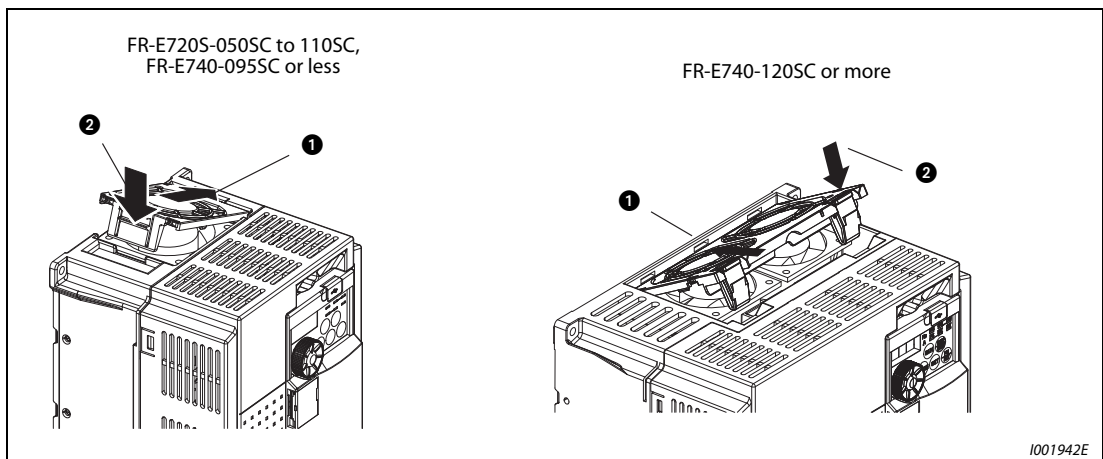
Installing the fan in the opposite air flow direction can cause the inverter life to be shorter.

- ② Reconnect the fan connectors. When wiring, use care to avoid the cables being caught by the fan.



**Fig. 8-5:** Connection of the fan

- ③ Reinstall the fan cover. Insert hooks into the holes ①. Insert hooks ② until you hear a click sound.



**Fig. 8-6:** Reinstall the fan cover



**Smoothing capacitors**

A large-capacity aluminum electrolytic capacitor is used for smoothing in the main circuit DC section, and an aluminum electrolytic capacitor is used for stabilizing the control power in the control circuit. Their characteristics are deteriorated by the adverse effects of ripple currents, etc.

The replacement intervals greatly vary with the ambient temperature and operating conditions. When the inverter is operated in air-conditioned, normal environment conditions, replace the capacitors about every 10 years

Judge that the capacitor has reached its life when the measured capacitance of the capacitor reduced below 80% of the rating.

When a certain period of time has elapsed, the capacitors will deteriorate more rapidly. Check the capacitors at least every year (less than six months if the life will be expired soon).

The appearance criteria for inspection are as follows:

- Case: Check the side and bottom faces for expansion
- Sealing plate: Check for remarkable warp and extreme crack.
- Check for external crack, discoloration, fluid leakage, etc.

**Relays**

To prevent a contact fault, etc., relays must be replaced according to the cumulative number of switching times (switching life).

### 8.1.8 Inverter replacement

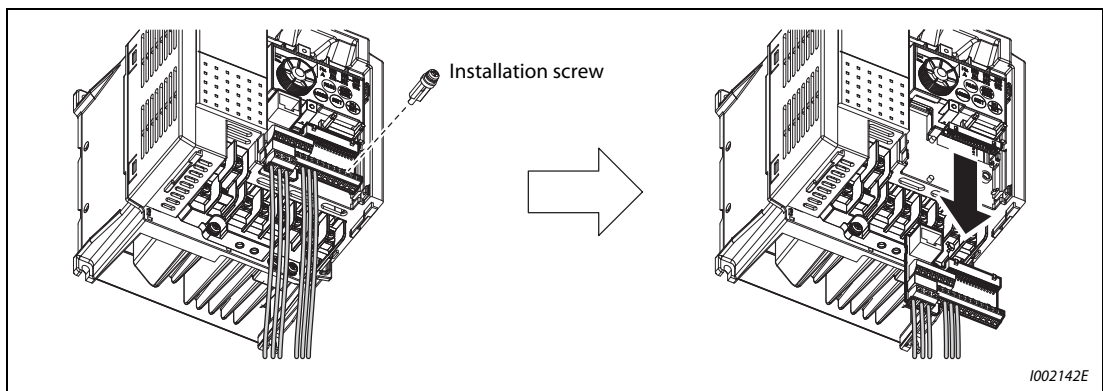
The inverter can be replaced with the control circuit wiring kept connected. Before replacement, remove the wiring cover of the inverter.



**WARNING:**

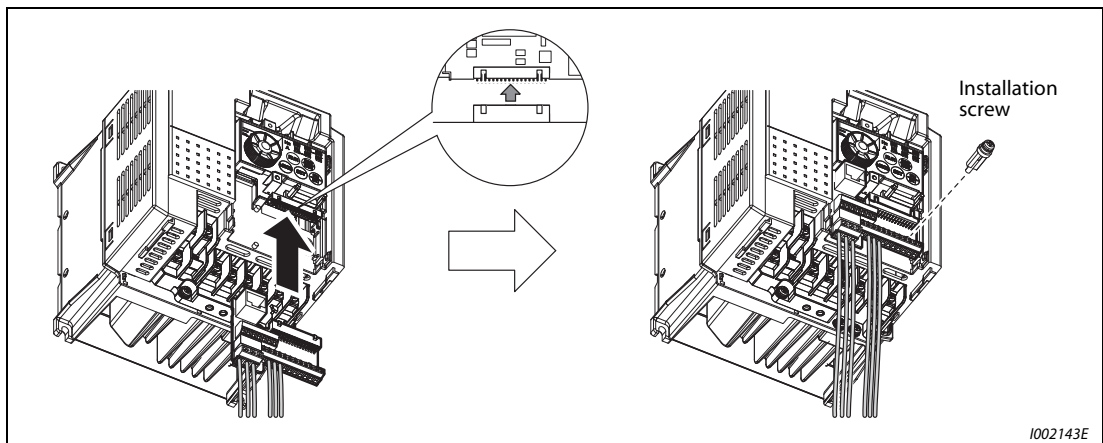
- **Do not replace the control terminal of the standard control circuit terminal model (inverter type without "SC") with the control terminal of the safety stop function model (inverter type "SC"), or vice versa. If replaced by mistake, the inverter does not operate properly.**
- **Before starting inverter replacement, switch power off, wait for at least 10 minutes, and then check the voltage with a tester and such to ensure safety.**

- ① Remove the installation screw of the control circuit terminal block.  
Pull the control circuit terminal downward.



**Fig. 8-7:** Removal of the terminal block

- ② Using care not to bend the pins of the inverter's control circuit connector, reinstall the control circuit terminal block and fix it with the installation screw.



**Fig. 8-8:** Reinstallation of the terminal block

**NOTE**

Calibration bias and gain changes when changing the control circuit terminal block. Use Pr. 645 and C1 (Pr. 901) to calibrate again in that case.

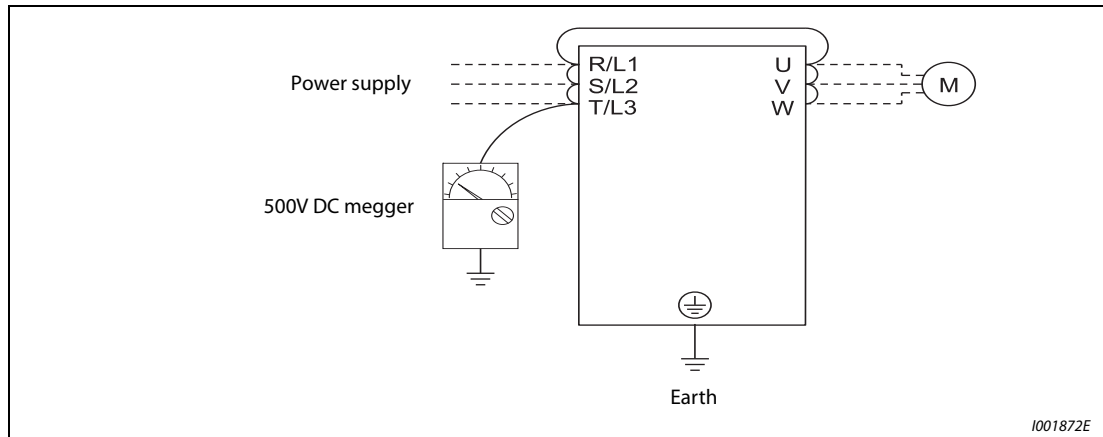
## 8.2 Measurements on the main circuit

This section describes the measurement of the main circuit voltages, currents, powers and insulation resistance.

Please follow as well the instructions for measuring instruments and measuring methods in section 7.7.

### 8.2.1 Insulation resistance test using megger

For the inverter, conduct the insulation resistance test on the main circuit only as shown below and do not perform the test on the control circuit. (Use a 500V DC megger.)



**Fig. 8-9:** Insulation resistance test



#### CAUTION:

**Before performing the insulation resistance test on the external circuit, disconnect the cables from all terminals of the inverter so that the test voltage is not applied to the inverter.**

#### NOTE

For the electric continuity test of the control circuit, use a tester (high resistance range) and do not use the megger or buzzer.

### 8.2.2 Pressure test

Do not conduct a pressure test. Deterioration may occur.

### 8.2.3 Measurement of voltages and currents

Since voltages and currents in the primary and secondary side of the inverter include harmonics, different meters indicate different measured values.

When installing meters etc. on the inverter output side

When the inverter-to-motor wiring length is large, especially in the 400V class, large-capacity models, the meters and CTs may generate heat due to line-to-line leakage current. Therefore, choose the equipment which has enough allowance for the current rating.

When measuring and indicating the output voltage and output current of the inverter, it is recommended to utilize the AM-5 terminal output function of the inverter.

When using measuring instruments for the normal frequency range, carry out the measurements as described below.

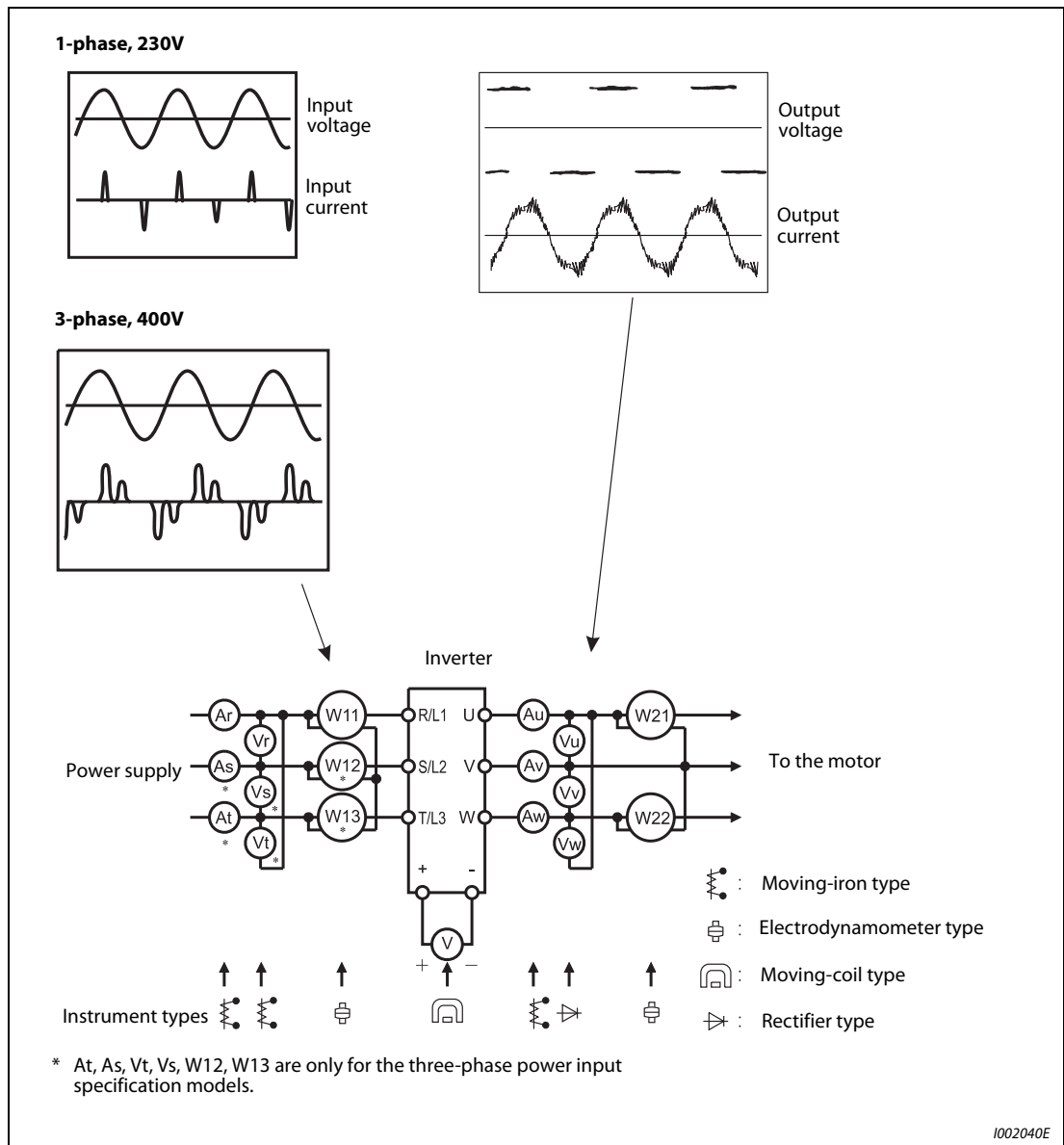


Fig. 8-10: Examples of measuring points and instruments

**Measuring Points and Instruments**

Item	Measuring Point	Measuring Instrument	Remarks (Reference Measurement Value)
Power supply voltage V1	Across R/L1-S/L2, S/L2-T/L3, T/L3-R/L1 ③	Moving-iron type AC voltmeter ④	Commercial power supply Within permissible AC voltage fluctuation (Refer to appendix A)
Power supply side current I1	R/L1, S/L2, and T/L3 line currents ③	Moving-iron type AC ammeter ④	—
Power supply side power P1	R/L1, S/L2, T/L3 and R/L1-S/L2, S/L2-T/L3, T/L3-R/L1 ③	Digital power meter (designed for inverter) or electro-dynamic type single-phase wattmeter	P1 = W11 + W12 + W13 (3-wattmeter method)
Power supply side power factor Pf1	Calculate after measuring power supply voltage, power supply side current and power supply side power. Single-phase power supply $Pf1 = \frac{P1}{V1 \times I1} \times 100\%$		Three-phase power supply $Pf1 = \frac{P1}{\sqrt{3} \times V1 \times I1} \times 100\%$
Output side voltage V2	Across U-V, V-W and W-U	Rectifier type AC voltage meter ① ④ (Moving-iron type cannot measure)	Difference between the phases is within ±1% of the maximum output voltage
Output side current I2	U, V and W line currents	Moving-iron type AC ammeter ② ④	Difference between the phases is 10% or lower of the rated inverter current.
Output side power P2	U, V, W and U-V, V-W	Digital power meter (designed for inverter) or electro-dynamic type single-phase wattmeter	P2 = W21 + W22 2-wattmeter method (or 3-wattmeter method)
Output side power factor Pf2	Calculate in similar manner to power supply side power factor. $Pf2 = \frac{P2}{\sqrt{3} \times V2 \times I2} \times 100\%$		
Converter output	Across P/+ and N/-	Moving-coil type (such as tester)	Inverter LED display is lit. 1.35 × V1

**Tab. 8-5:** Measuring points and instruments of the main circuit

- ① Use an FFT to measure the output voltage accurately. An FA tester or general measuring instrument cannot measure accurately.
- ② When the carrier frequency exceeds 5kHz, do not use this instrument since using it may increase eddy-current losses produced in metal parts inside the instrument, leading to burnout. In this case, use an approximate-effective value type.
- ③ T/L3 is only for the three-phase power input specification models.
- ④ A digital power meter (designed for inverter) can also be used to measure.

Item	Measuring Point	Measuring Instrument	Remarks (Reference Measurement Value)										
Frequency setting signal	Across 2 (positive) and 5	Moving-coil type (Tester and such may be used) (Internal resistance: 50kΩ or larger)	0 to 10V DC, 4 to 20mA	"5" is common									
	Across 4 (positive) and 5												
Frequency setting power supply	Across 10 (positive) and 5		5.2V DC										
Frequency meter signal	Across AM (positive) and 5		Approximately 10V DC at maximum frequency (without frequency meter)										
Start signal Select signal	Across STF, STR, RH, RM, RL and PC (positive)		When open: 20 to 30V DC ON voltage: 1V or less	"PC" is common									
Reset	Across RES and PC (positive)												
Fault signal	Across A-C and B-C	Moving-coil type (such as tester)	Electric Continuity check ① <table style="width: 100%; border: none;"> <tr> <td></td> <td style="text-align: center;"><b>Normal</b></td> <td style="text-align: center;"><b>Fault</b></td> </tr> <tr> <td>Across A-C</td> <td style="text-align: center;">Discontinuity</td> <td style="text-align: center;">Continuity</td> </tr> <tr> <td>Across B-C</td> <td style="text-align: center;">Continuity</td> <td style="text-align: center;">Discontinuity</td> </tr> </table>			<b>Normal</b>	<b>Fault</b>	Across A-C	Discontinuity	Continuity	Across B-C	Continuity	Discontinuity
	<b>Normal</b>	<b>Fault</b>											
Across A-C	Discontinuity	Continuity											
Across B-C	Continuity	Discontinuity											

**Tab. 8-6:** Measuring points and instruments of the control circuit

① When the setting of Pr. 192 "ABC terminal function selection" is positive logic.

# A Appendix

## A.1 Specifications

### A.1.1 1-phase, 200V class

Model FR-E720S-□□□SC EC		008	015	030	050	080	110
Rated motor capacity [kW] ①		0.1	0.2	0.4	0.75	1.5	2.2
Output	Rated capacity [kVA] ②	0.3	0.6	1.2	2.0	3.2	4.4
	Rated current [A] ③	0.8 (0.8)	1.5 (1.4)	3.0 (2.5)	5.0 (4.1)	8.0 (7.0)	11.0 (10.0)
	Overload current rating ④	200% of rated motor capacity for 3s; 150% for 60s					
	Voltage ⑤	3-phase AC, 0V to power supply voltage					
	Regenerative braking torque ⑥	150%		100%		50%	20%
Power supply	Power supply voltage	1-phase, 200–240V AC, –15%/+10%					
	Voltage range	170–264V AC at 50/60Hz					
	Power supply frequency	50/60Hz ± 5%					
	Rated input capacity [kVA] ⑦	0.5	0.9	1.5	2.5	4.0	5.2
Protective structure		IP20					
Cooling system		Self cooling			Forced air cooling		
Weight [kg]		0.6	0.6	0.9	1.4	1.5	2.0

**Tab. A-1:** Specifications

- ① The applied motor capacity indicated is the maximum capacity applicable for use of the Mitsubishi 4-pole standard motor.
- ② The rated output capacity indicated assumes that the output voltage is 230V.
- ③ Setting 2kHz or more in Pr. 72 "PWM frequency selection" to perform low acoustic noise operation with the ambient temperature exceeding 40°C, the rated output current is the value in parentheses.
- ④ The % value of the overload current rating indicated is the ratio of the overload current to the inverter's rated output current. For repeated duty, allow time for the inverter and motor to return to or below the temperatures under 100% load.  
If the automatic restart after instantaneous power failure function (Pr. 57) or power failure stop function (Pr. 261) is set and power supply voltage is low while load becomes bigger, the bus voltage decreases to power failure detection level and load of 100% or more may not be available.
- ⑤ The maximum output voltage does not exceed the power supply voltage. The maximum output voltage can be changed within the setting range. However, the pulse voltage value of the inverter output side voltage remains unchanged at about  $\sqrt{2}$  that of the power supply.
- ⑥ The braking torque indicated is a short-duration average torque (which varies with motor loss) when the motor alone is decelerated from 60Hz in the shortest time and is not a continuous regenerative torque. When the motor is decelerated from the frequency higher than the base frequency, the average deceleration torque will reduce. Since the inverter does not contain a brake resistor, use the optional brake resistor when regenerative energy is large. A brake unit (FR-BU2) may also be used. Option brake resistor cannot be used for FR-E720S-008SC and 015SC.
- ⑦ The power supply capacity varies with the value of the power supply side inverter impedance (including those of the input reactor and cables).

## A.1.2 3-phase, 400V class

Model FR-E740-□□□SC EC		016	026	040	060	095	120	170	230	300
Rated motor capacity [kW] ①		0.4	0.75	1.5	2.2	3.7	5.5	7.5	11	15
Output	Rated capacity [kVA] ②	1.2	2.0	3.0	4.6	7.2	9.1	13.0	17.5	23.0
	Rated current [A] ③	1.6 (1.4)	2.6 (2.2)	4.0 (3.8)	6.0 (5.4)	9.5 (8.7)	12.0	17.0	23.0	30.0
	Overload current rating ④	200% of rated motor capacity for 3s; 150% for 60s								
	Voltage ⑤	3-phase AC, 0V to power supply voltage								
	Regenerative braking torque ⑥	100%	50%	20%						
Power supply	Power supply voltage	3-phase, 380–480V AC, –15%/+10%								
	Voltage range	325–528V AC at 50/60Hz								
	Power supply frequency	50/60Hz ± 5%								
	Rated input capacity [kVA] ⑦	1.5	2.5	4.5	5.5	9.5	12.0	17.0	20.0	28.0
Protective structure	IP20									
Cooling system	Self cooling			Forced air cooling						
Weight [kg]	1.4	1.4	1.9	1.9	1.9	3.2	3.2	6.0	6.0	

**Tab. A-2:** Specifications

- ① The applied motor capacity indicated is the maximum capacity applicable for use of the Mitsubishi 4-pole standard motor.
- ② The rated output capacity indicated assumes that the output voltage is 440V.
- ③ Setting 2kHz or more in Pr. 72 "PWM frequency selection" to perform low acoustic noise operation with the ambient temperature exceeding 40°C, the rated output current is the value in parentheses.
- ④ The % value of the overload current rating indicated is the ratio of the overload current to the inverter's rated output current. For repeated duty, allow time for the inverter and motor to return to or below the temperatures under 100% load.
- ⑤ The maximum output voltage does not exceed the power supply voltage. The maximum output voltage can be changed within the setting range. However, the pulse voltage value of the inverter output side voltage remains unchanged at about  $\sqrt{2}$  that of the power supply.
- ⑥ The braking torque indicated is a short-duration average torque (which varies with motor loss) when the motor alone is decelerated from 60Hz in the shortest time and is not a continuous regenerative torque. When the motor is decelerated from the frequency higher than the base frequency, the average deceleration torque will reduce. Since the inverter does not contain a brake resistor, use the optional brake resistor when regenerative energy is large. A brake unit (FR-BU2) may also be used.
- ⑦ The power supply capacity varies with the value of the power supply side inverter impedance (including those of the input reactor and cables).



## A.2 Common specifications

FR-E700SC		Specification	
Control specification	Control system	V/F control, optimum excitation control, general-purpose magnetic flux vector control or advanced magnetic flux vector control can be selected	
	Modulation control	Sine evaluated PWM, Soft PWM	
	Output frequency range	0.2–400Hz	
	Frequency setting resolution	Analog input	0.06Hz/0–50Hz (terminal 2, 4: 0–10V/10bit) 0.12Hz/0–50Hz (terminal 2, 4: 0–5V/9bit) 0.06Hz/0–50Hz (terminal 4: 0/4–20mA/10bit)
		Digital input	0.01Hz
	Frequency accuracy	Analog input	±0.5% of the maximum output frequency (temperature range 25°C ±10°C)
		Digital input	±0.01% of the set output frequency
	Voltage/frequency characteristics	Base frequency can be set from 0 to 400Hz Constant torque/variable torque pattern can be selected	
	Starting torque	200% or more (at 0.5Hz) ... when advanced magnetic flux vector control is set (3.7K or less)	
	Torque boost	Manual torque boost	
	Acceleration/deceleration time	0.01 to 360s; 0.1 to 3600s (can be set individually)	
	Acceleration/deceleration characteristics	Linear or S-form course, user selectable	
	DC injection brake	Operation frequency (0 to 120Hz), operation time (0 to 10s) and operation voltage (0 to 30%) can be set individually.	
Stall prevention	Responses threshold 0–200%, user adjustable		
Control signals for operation	Frequency setting values	Analog input	Terminal 2: 0–5V DC, 0–10V DC Terminal 4: 0–5V DC, 0–10V DC, 0/4–20mA
		Digital input	Entered from operation panel or parameter unit Frequency setting increment can be set. 4 digit BCD or 16bit binary data (when the option FR-A7AX-Ekit-SC-E is used)
	Start signal	Forward and reverse rotation or start signal automatic self-holding input (3-wire input) can be selected.	
	Input signals	Terminals	6
		Operating status	The following signals can be assigned to Pr. 178 to Pr. 184 "Input terminal function selection": multi-speed selection, remote setting, stop-on contact selection, second function selection, terminal 4 input selection, JOG operation selection, PID control valid terminal, brake opening completion signal, external thermal input, PU-External operation switchover, V/F switchover, output stop, start self-holding selection, forward rotation, reverse rotation command, inverter reset, PU-NET operation switchover, External-NET operation switchover, command source switchover, inverter operation enable signal, and PU operation external interlock.
	Operational functions	Maximum/minimum frequency setting, frequency jump operation, external thermal relay input selection, automatic restart after instantaneous power failure operation, forward/reverse rotation prevention, remote setting, brake sequence, second function, multi-speed operation, stop-on contact control, droop control, regeneration avoidance, slip compensation, operation mode selection, offline auto tuning function, PID control, computer link operation (RS-485)	
	Safety stop function	Safety shutoff signal can be input from terminals S1 and S2. (compliant with EN ISO 13849-1 Category 3 / PLD EN62061 / IEC61508 SIL2)	
	Output signals	Open collector outputs	2 points
		Relay outputs	1 point
		Operating status	The following signals can be assigned to Pr. 190 to Pr. 192 "Output terminal function selection": inverter operation, up-to-frequency, overload alarm, output frequency detection, regenerative brake prealarm, electronic thermal relay function prealarm, inverter operation ready, output current detection, zero current detection, PID lower limit, PID upper limit, PID forward/reverse rotation output, brake opening request, fan alarm (FR-E720S-050SC or more, FR-E740-040SC or more), heatsink overheat pre-alarm, deceleration at an instantaneous power failure, PID control activated, safety monitor output, safety monitor output 2, during retry, life alarm, current average value monitor, remote output, alarm output, fault output, fault output 3, and maintenance timer alarm.
Analog output		0–10V DC: 1 point	
For meter		The following signals can be assigned to Pr. 158 "AM terminal function selection": output frequency, motor current (steady), output voltage, frequency setting, motor torque, converter output voltage, regenerative brake duty, electronic thermal relay function load factor, output current peak value, converter output voltage peak value, reference voltage output, motor load factor, PID set point, PID measured value, output power 0 to 10V DC.	

**Tab. A-3:** Common specifications (1)

FR-E700SC		Specification	
Display	Operation panel or Parameter unit (FR-PU07)	Operating status	The following operating status can be displayed: output frequency, motor current (steady), output voltage, frequency setting, cumulative energization time, actual operation time, motor torque, converter output voltage, regenerative brake duty, electronic thermal relay function load factor, output current peak value, converter output voltage peak value, motor load factor, PID set point, PID measured value, PID deviation, inverter I/O terminal monitor, I/O terminal option monitor, output power, cumulative power, motor thermal load factor, and inverter thermal load factor.
		Fault record	Fault record is displayed when a fault occurs. Past 8 fault records (output voltage/current/frequency/cumulative energization time right before the fault occurs) are stored.
	Additional display by the parameter unit (FR-PU04/FRPU07) only	Operating status	Not used
		Fault record	Output voltage/current/frequency/cumulative energization time immediately before the fault occurs
		Interactive guidance <sup>①</sup>	Operation guide/trouble shooting with a help function
Protection	Protective functions	Overcurrent during acceleration, overcurrent during constant speed, overcurrent during deceleration, overvoltage during acceleration, overvoltage during constant speed, overvoltage during deceleration, inverter protection thermal operation, motor protection thermal operation, heatsink overheat, input phase failure <sup>②</sup> , output side earth (ground) fault overcurrent at start, output phase failure, external thermal relay operation <sup>③</sup> , option fault <sup>③</sup> , parameter error, internal board fault, PU disconnection, retry count excess <sup>③</sup> , CPU fault, brake transistor alarm, inrush resistance overheat, communication error, analog input error, USB communication error, brake sequence error 4 to 7 <sup>③</sup> , safety circuit fault	
	Warning functions	Fan alarm (FR-E720S-050SC or more, FR-E740-040SC or more), overcurrent stall prevention, overvoltage stall prevention, PU stop, parameter write error, regenerative brake prealarm <sup>③</sup> , electronic thermal relay function prealarm, maintenance output <sup>③</sup> , undervoltage, operation panel lock, password locked, inverter reset, safety stop	
Environment	Ambient temperature	-10°C to +50°C (non-freezing) <sup>④</sup>	
	Storage temperature <sup>⑤</sup>	-20°C to +65°C	
	Ambient humidity	Max. 90% (non-condensing)	
	Ambience conditions	For indoor use only, avoid environments containing corrosive gases, install in a dust-free location.	
	Altitude	Max. 1000m above sea level	
	Vibration resistance	Max. 5.9m/s <sup>2</sup> (JIS 60068-2-6) or less at 10 to 55Hz (directions of X, Y and Z axes)	

**Tab. A-3:** Common specifications (2)

- ① This operation guide is only available with option parameter unit (FR-PU07).
- ② This protective function is available with the three-phase power input specification model only.
- ③ This protective function does not function in the initial status.
- ④ When using the inverters at the ambient temperature of 40°C or less, the inverters can be installed closely attached (0cm clearance).
- ⑤ The product may only be exposed to the full extremes of this temperature range for short periods (e.g. during transportation).

### A.3 Outline dimension drawings

#### A.3.1 FR-E720S-008SC to 030SC

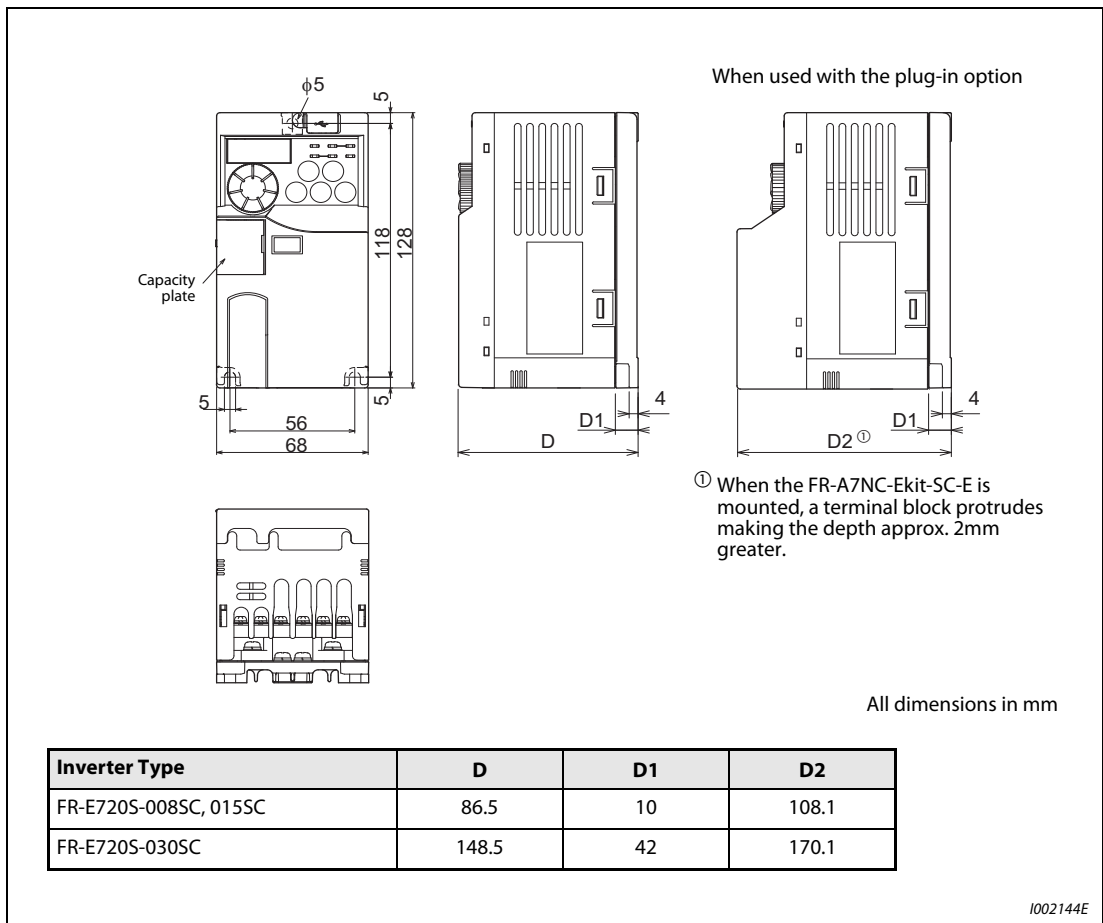
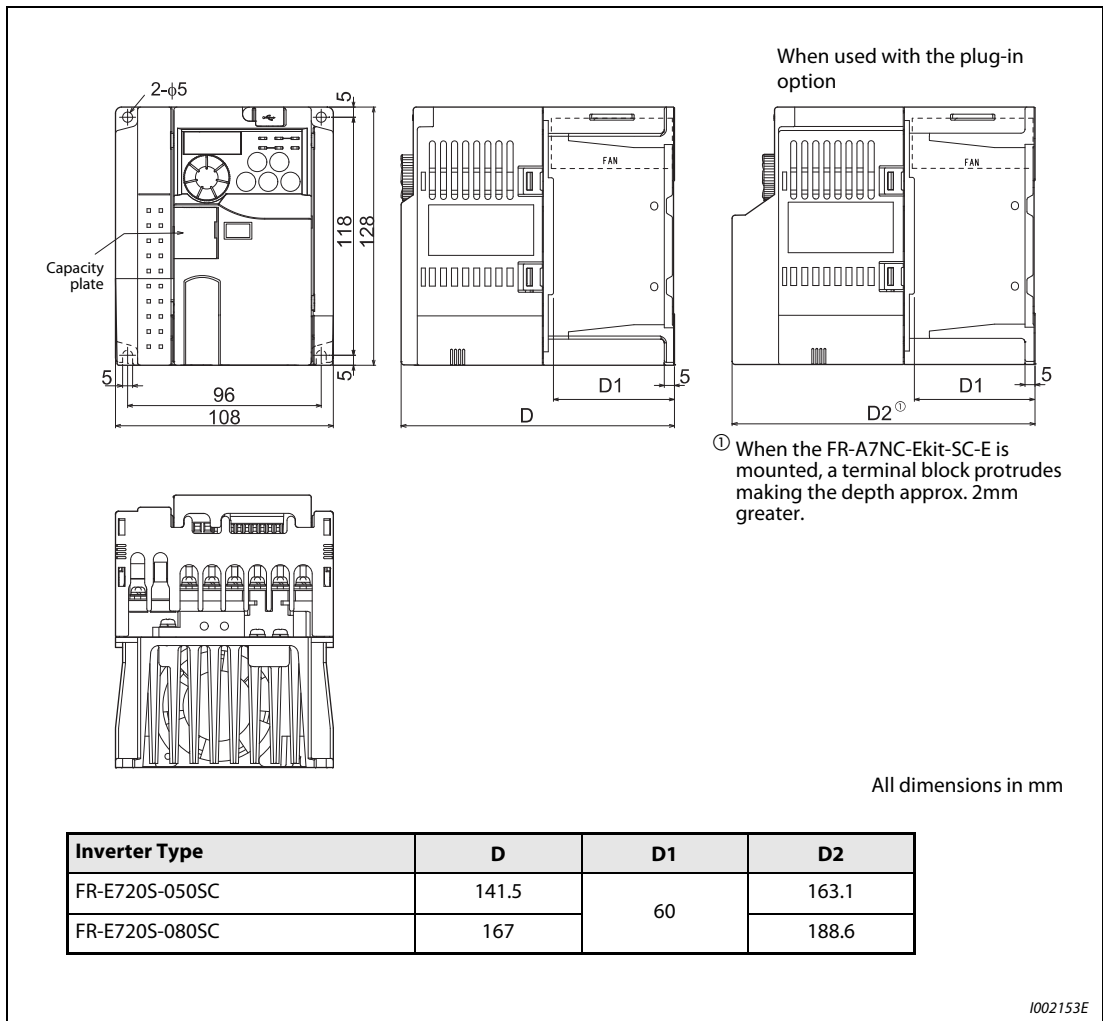


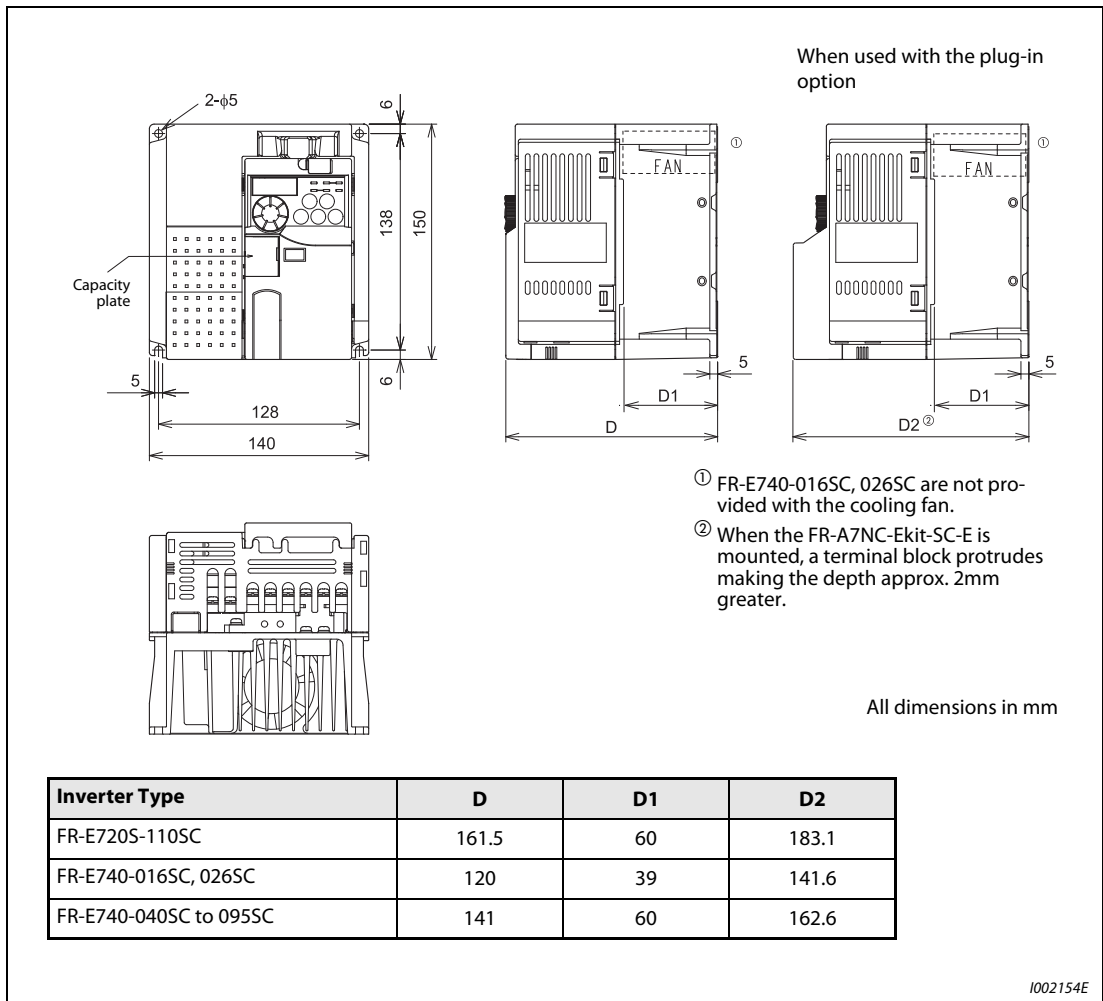
Fig. A-1: Dimensions FR-E720S-008SC to 030SC

**A.3.2 FR-E720S-050SC and 080SC**



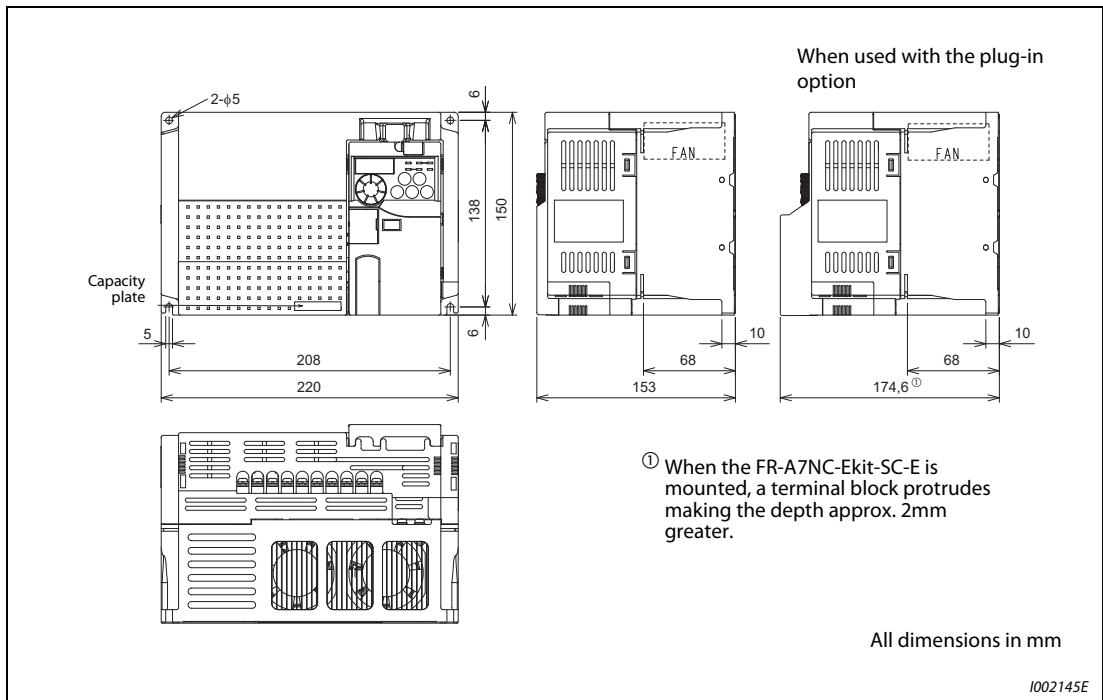
**Fig. A-2:** Dimensions FR-E720S-050SC and 080SC

**A.3.3 FR-E720S-110SC and FR-E740-016SC to 095SC**



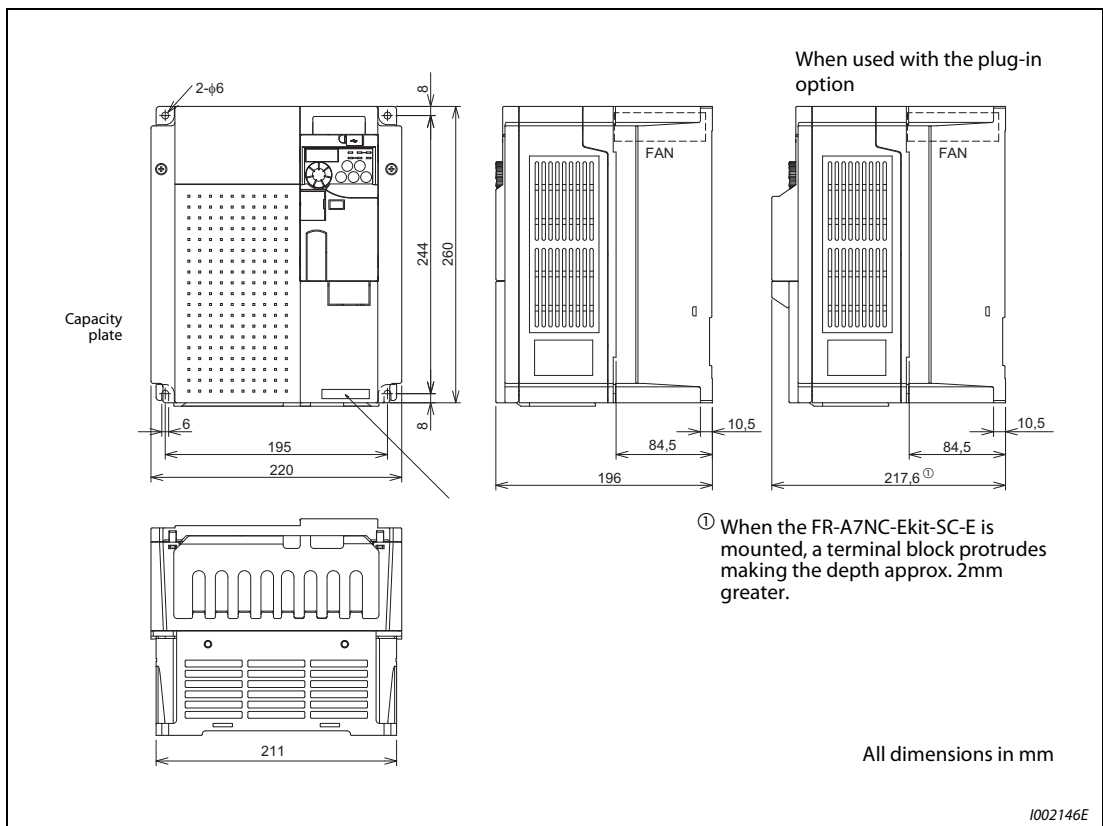
**Fig. A-3:** Dimensions FR-E720S-110SC and FR-E740-016SC to 095SC

**A.3.4 FR-E740-120SC and 170SC**



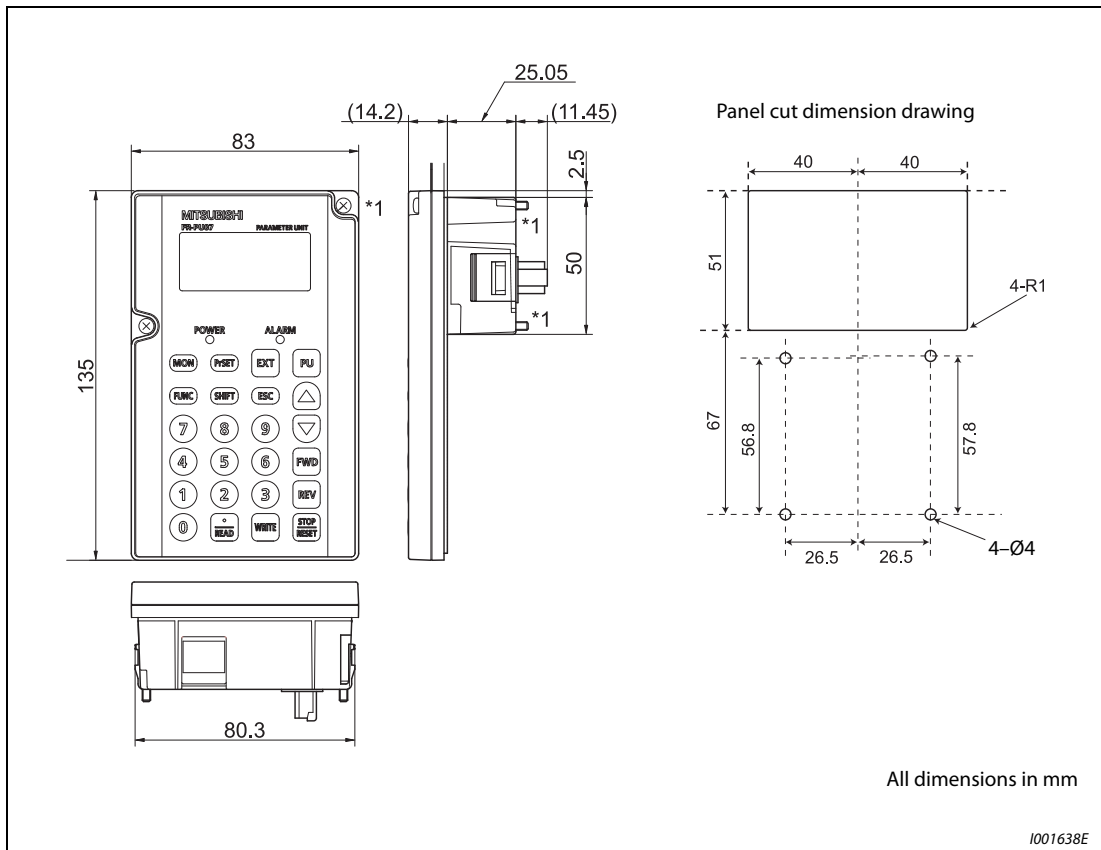
**Fig. A-4:** Dimensions FR-E740-120SC and 170SC

**A.3.5 FR-E740-230SC and 300SC**



**Fig. A-5:** Dimensions FR-E740-230SC and 300SC

### A.3.6 Parameter unit FR-PU07



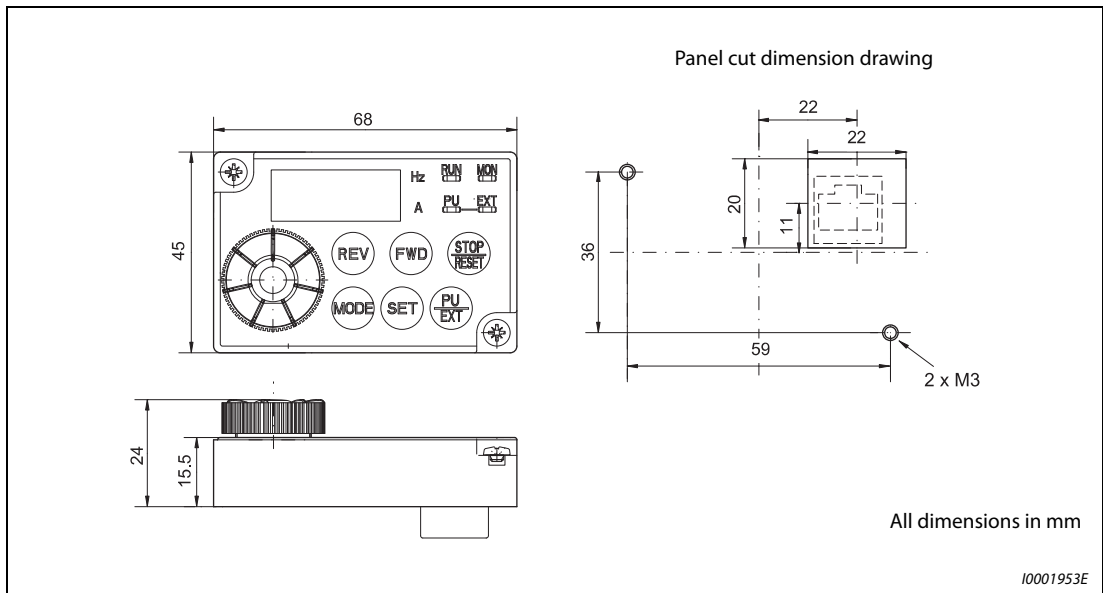
**Fig. A-6:** Parameter unit FR-PU07

#### NOTES

When installing the FR-PU07 on the enclosure, etc., remove screws or fix the screws to the FR-PU07 with M3 nuts.

The effective depth of the M3 installation screw hole is 5.0mm.

**A.3.7 Parameter unit FR-PA07**



**Fig. A-7:** Parameter unit FR-PA07



## A.4 Parameter list with instruction codes

In the initial setting status, simple mode parameters and extended parameters can be displayed. Set Pr. 160 "User group read selection" as required. So check the setting of Pr. 160 if parameters are not shown or change the setting of Pr. 160 to lock parameters.

Parameter	Name	Initial Value	Setting Range	Remarks
160	User group read selection	0	9999	Only the simple mode parameters can be displayed.
			0	Simple mode and extended mode parameters can be displayed.
			1	Only parameters registered in the user group can be displayed.

**Tab. A-4:** Settings of parameter 160

### NOTES

The parameters marked © are the simple mode parameters.

The parameters marked with  in the table allow its setting to be changed during operation even if "0" (initial value) is set in Pr. 77 "Parameter write selection".

Parameters for the option are displayed only when the option unit is installed.

The instruction codes (hexadecimal) for "read" and "write" on the right of the parameter number are those used to set the parameter via communication. "Extended" indicates the setting of the extended link parameter. (Refer to section 6.19 for communication.) The data code is contained in the table columns to the right next to the parameter number.

The symbols in the table have the following meanings:

✓: Setting the parameter is possible for this operation mode.

—: Setting the parameter is impossible for this operation mode.

Function	Parameter	Instruction Code			Name	Control Mode-based Correspondence Table			Refer to Page	Customer Setting	
		Read	Write	Extended		V/F control	General-purpose magnetic flux vector control	Advanced magnetic flux vector control			
Basic functions	© 0	00	80	0	Torque boost	✓	—	—	6-33		
	© 1	01	81	0	Maximum frequency	✓	✓	✓	6-50		
	© 2	02	82	0	Minimum frequency	✓	✓	✓			
	© 3	03	83	0	Base frequency	✓	—	—	6-54		
	© 4	04	84	0	Multi-speed setting	RH	✓	✓	6-58		
	© 5	05	85	0		RM	✓	✓		✓	
	© 6	06	86	0		RL	✓	✓		✓	
	© 7	07	87	0	Acceleration time	✓	✓	✓	6-69		
	© 8	08	88	0	Deceleration time	✓	✓	✓			
	© 9	09	89	0	Electronic thermal O/L relay	✓	✓	✓	6-80		

**Tab. A-5:** Parameter list with instruction codes (1)

Function	Parameter	Instruction Code			Name	Control Mode-based Correspondence Table			Refer to Page	Customer Setting
		Read	Write	Extended		V/F control	General-purpose magnetic flux vector control	Advanced magnetic flux vector control		
DC injection brake	10	0A	8A	0	DC injection brake operation	Frequency	✓	✓	✓	6-98
	11	0B	8B	0		Time	✓	✓	✓	
	12	0C	8C	0		Voltage	✓	✓	✓	
—	13	0D	8D	0	Starting frequency	✓	✓	✓	6-73	
—	14	0E	8E	0	Load pattern selection	✓	—	—	6-56	
Jog operation	15	0F	8F	0	Jog frequency	✓	✓	✓	6-61	
	16	10	90	0	Jog acceleration/deceleration time	✓	✓	✓		
—	17	11	91	0	MRS input selection	✓	✓	✓	6-117	
—	18	12	92	0	High speed maximum frequency	✓	✓	✓	6-50	
—	19	13	93	0	Base frequency voltage	✓	—	—	6-54	
Acceleration/deceleration time	20	14	94	0	Acceleration/deceleration reference frequency	✓	✓	✓	6-69	
	21	15	95	0	Acceleration/deceleration time increments	✓	✓	✓		
Stall prevention	22	16	96	0	Stall prevention operation level	✓	✓	✓	6-42	
	23	17	97	0	Stall prevention operation level compensation factor at double speed	✓	✓	✓		
Multi-speed setting	24	18	98	0	Multi-speed setting (speed 4)	✓	✓	✓	6-58	
	25	19	99	0	Multi-speed setting (speed 5)	✓	✓	✓		
	26	1A	9A	0	Multi-speed setting (speed 6)	✓	✓	✓		
	27	1B	9B	0	Multi-speed setting (speed 7)	✓	✓	✓		
—	29	1D	9D	0	Acceleration/deceleration pattern selection	✓	✓	✓	6-75	
—	30	1E	9E	0	Regenerative function selection	✓	✓	✓	6-101	
Frequency jump	31	1F	9F	0	Frequency jump 1A	✓	✓	✓	6-52	
	32	20	A0	0	Frequency jump 1B	✓	✓	✓		
	33	21	A1	0	Frequency jump 2A	✓	✓	✓		
	34	22	A2	0	Frequency jump 2B	✓	✓	✓		
	35	23	A3	0	Frequency jump 3A	✓	✓	✓		
	36	24	A4	0	Frequency jump 3B	✓	✓	✓		
—	37	25	A5	0	Speed display	✓	✓	✓	6-136	
—	40	28	A8	0	RUN key rotation direction selection	✓	✓	✓	6-313	
Frequency detection (SU, FU)	41	29	A9	0	Up-to-frequency sensitivity	✓	✓	✓	6-129	
	42	2A	AA	0	Output frequency detection	✓	✓	✓		
	43	2B	AB	0	Output frequency detection for reverse rotation	✓	✓	✓		

Tab. A-5: Parameter list with instruction codes (2)

Function	Parameter	Instruction Code			Name	Control Mode-based Correspondence Table			Refer to Page	Customer Setting
		Read	Write	Extended		V/F control	General-purpose magnetic flux vector control	Advanced magnetic flux vector control		
Second functions	44	2C	AC	0	Second acceleration/deceleration time	✓	✓	✓	6-69	
	45	2D	AD	0	Second deceleration time	✓	✓	✓		
	46	2E	AE	0	Second torque boost	✓	—	—	6-33	
	47	2F	AF	0	Second V/F (base frequency)	✓	—	—	6-54	
	48	30	B0	0	Second stall prevention operation current	✓	✓	✓	6-42	
	51	33	B3	0	Second electronic thermal O/L relay	✓	✓	✓	6-80	
Monitor functions	52	34	B4	0	DU/PU main display data selection	✓	✓	✓	6-138	
	55	37	B7	0	Frequency monitoring reference	✓	✓	✓	6-146	
	56	38	B8	0	Current monitoring reference	✓	✓	✓		
Automatic restart functions	57	39	B9	0	Restart coasting time	✓	✓	✓	6-151	
	58	3A	BA	0	Restart cushion time	✓	✓	✓		
—	59	3B	BB	0	Remote function selection	✓	✓	✓	6-65	
—	60	3C	BC	0	Energy saving control selection	✓	—	—	6-172	
Automatic acceleration/deceleration	61	3D	BD	0	Automatic acceleration/deceleration	Reference current	✓	✓	6-77	
	62	3E	BE	0		Reference value at acceleration	✓	✓		
	63	3F	BF	0		Reference value at deceleration	✓	✓		
Retry function at alarm occurrence	65	41	C1	0	Retry selection	✓	✓	✓	6-167	
—	66	42	C2	0	Stall prevention operation reduction starting frequency	✓	✓	✓	6-42	
Retry function at alarm occurrence	67	43	C3	0	Number of retries at alarm occurrence	✓	✓	✓	6-167	
	68	44	C4	0	Retry waiting time	✓	✓	✓		
	69	45	C5	0	Retry count display erase	✓	✓	✓		
—	70	46	C6	0	Special regenerative brake duty	✓	✓	✓	6-101	
—	71	47	C7	0	Applied motor	✓	✓	✓	6-85	
—	72	48	C8	0	PWM frequency selection	✓	✓	✓	6-173	
—	73	49	C9	0	Analog input selection	✓	✓	✓	6-175	
—	74	4A	CA	0	Input filter time constant	✓	✓	✓	6-180	
—	75	4B	CB	0	Reset selection/disconnected PU detection/PU stop selection	✓	✓	✓	6-188	
—	77	4D	CD <sup>①</sup>	0	Parameter write selection	✓	✓	✓	6-193	
—	78	4E	CE	0	Reverse rotation prevention selection	✓	✓	✓	6-195	
—	Ⓢ 79	4F	CF <sup>①</sup>	0	Operation mode selection	✓	✓	✓	6-204	

**Tab. A-5:** Parameter list with instruction codes (3)

① Can be written by only communication from the PU connector.

Function	Parameter	Instruction Code			Name	Control Mode-based Correspondence Table			Refer to Page	Customer Setting		
		Read	Write	Extended		V/F control	General-purpose magnetic flux vector control	Advanced magnetic flux vector control				
Vector control	80	50	D0	0	Motor capacity	—	✓	✓	6-36			
	81	51	D1	0	Number of motor poles	—	✓	✓				
	82	52	D2	0	Motor excitation current	—	✓	✓		6-88		
	83	53	D3	0	Motor rated voltage	—	✓	✓				
	84	54	D4	0	Rated motor frequency	—	✓	✓				
		89	59	D9	0	Speed control gain (advanced magnetic flux vector)	—	✓	—	6-36		
		90	5A	DA	0	Motor constants	R1	—	✓		✓	
		91	5B	DB	0		R2	—	✓		✓	
		92	5C	DC	0		L1	—	✓		✓	
		93	5D	DD	0		L2	—	✓		✓	
		94	5E	DE	0		X	—	✓		✓	
	96	60	E0	0	Auto tuning setting/status	✓	✓	✓				
PU connector communication	117	11	91	1	PU communication station number	✓	✓	✓	6-232			
	118	12	92	1	PU communication speed	✓	✓	✓				
	119	13	93	1	PU communication stop bit length	✓	✓	✓				
	120	14	94	1	PU communication parity check	✓	✓	✓				
	121	15	95	1	Number of PU communication retries	✓	✓	✓				
	122	16	96	1	PU communication check time interval	✓	✓	✓				
	123	17	97	1	PU communication waiting time setting	✓	✓	✓				
	124	18	98	1	PU communication CR/LF selection	✓	✓	✓				
—	© 125	19	99	1	Terminal 2 frequency setting gain frequency	✓	✓	✓	6-181			
—	© 126	1A	9A	1	Terminal 4 frequency setting gain frequency	✓	✓	✓				
PID control	127	1B	9B	1	PID control automatic switchover frequency	✓	✓	✓	6-277			
	128	1C	9C	1	PID action selection	✓	✓	✓				
	129	1D	9D	1	PID proportional band	✓	✓	✓				
	130	1E	9E	1	PID integral time	✓	✓	✓				
	131	1F	9F	1	PID upper limit	✓	✓	✓				
	132	20	A0	1	PID lower limit	✓	✓	✓				
	133	21	A1	1	PID action set point	✓	✓	✓				
	134	22	A2	1	PID differential time	✓	✓	✓				

Tab. A-5: Parameter list with instruction codes (4)

Function	Parameter	Instruction Code			Name	Control Mode-based Correspondence Table			Refer to Page	Customer Setting
		Read	Write	Extended		V/F control	General-purpose magnetic flux vector control	Advanced magnetic flux vector control		
PU	145	2D	AD	1	PU display language selection	✓	✓	✓	6-313	
—	146	Parameter for manufacturer setting. Do not set.								
—	147	2F	AF	1	Acceleration/deceleration switching frequency	✓	✓	✓	6-69	
Current detection	150	32	B2	1	Output current detection level	✓	✓	✓	6-131	
	151	33	B3	1	Output current detection signal delay time	✓	✓	✓		
	152	34	B4	1	Zero current detection level	✓	✓	✓		
	153	35	B5	1	Zero current detection time	✓	✓	✓		
—	156	38	B8	1	Stall prevention operation selection	✓	✓	✓	6-42	
—	157	39	B9	1	OL signal output timer	✓	✓	✓		
Display selection	158	3A	BA	1	AM terminal function selection	✓	✓	✓	6-138	
—	© 160	00	80	2	User group read selection	✓	✓	✓	6-196	
—	161	01	81	2	Frequency setting/key lock operation selection	✓	✓	✓	6-314	
Automatic restart functions	162	02	82	2	Automatic restart after instantaneous power failure selection	✓	✓	✓	6-151	
	165	05	85	2	Stall prevention operation level for restart	✓	✓	✓		
—	168	Parameter for manufacturer setting. Do not set.								
—	169	Parameter for manufacturer setting. Do not set.								
Cumulative monitor clear	170	0A	8A	2	Watt-hour meter clear	✓	✓	✓	6-138	
	171	0B	8B	2	Operation hour meter clear	✓	✓	✓		
User group	172	0C	8C	2	User group registered display/batch clear	✓	✓	✓	6-196	
	173	0D	8D	2	User group registration	✓	✓	✓		
	174	0E	8E	2	User group clear	✓	✓	✓		
Input terminal function assignment	178	12	92	2	Function selection	STF terminal	✓	✓	6-114	
	179	13	93	2		STR terminal	✓	✓		
	180	14	94	2		RL terminal	✓	✓		
	181	15	95	2		RM terminal	✓	✓		
	182	16	96	2		RH terminal	✓	✓		
	183	17	97	2		MRS bit	✓	✓		
	184	18	98	2		RES terminal	✓	✓		
Output terminal function assignment	190	1E	9E	2	Function selection	RUN terminal	✓	✓	6-124	
	191	1F	9F	2		FU terminal	✓	✓		
	192	20	A0	2		A, B and C terminal	✓	✓		

**Tab. A-5:** Parameter list with instruction codes (5)

Function	Parameter	Instruction Code			Name	Control Mode-based Correspondence Table			Refer to Page	Customer Setting
		Read	Write	Extended		V/F control	General-purpose magnetic flux vector control	Advanced magnetic flux vector control		
Multi-speed setting	232	28	A8	2	Multi-speed setting (speeds 8)	✓	✓	✓	6-58	
	233	29	A9	2	Multi-speed setting (speeds 9)	✓	✓	✓		
	234	2A	AA	2	Multi-speed setting (speeds 10)	✓	✓	✓		
	235	2B	AB	2	Multi-speed setting (speeds 11)	✓	✓	✓		
	236	2C	AC	2	Multi-speed setting (speeds 12)	✓	✓	✓		
	237	2D	AD	2	Multi-speed setting (speeds 13)	✓	✓	✓		
	238	2E	AE	2	Multi-speed setting (speeds 14)	✓	✓	✓		
—	239	2F	AF	2	Multi-speed setting (speeds 15)	✓	✓	✓		
—	240	30	B0	2	Soft-PWM operation selection	✓	✓	✓	6-173	
—	241	31	B1	2	Analog input display unit switch over	✓	✓	✓	6-181	
—	244	34	B4	2	Cooling fan operation selection	✓	✓	✓	6-301	
Slip compensation	245	35	B5	2	Rated slip	✓	—	✓	6-41	
	246	36	B6	2	Slip compensation time constant	✓	—	✓		
	247	37	B7	2	Constant-output region slip compensation selection	✓	—	✓		
—	249	39	B9	2	Earth (ground) fault detection at start	✓	✓	✓	6-171	
—	250	3A	BA	2	Stop selection	✓	✓	✓	6-103	
—	251	3B	BB	2	Output phase failure protection selection	✓	✓	✓	6-170	
Life check	255	3F	BF	2	Life alarm status display	✓	✓	✓	6-302	
	256	40	C0	2	Inrush current suppression circuit life display	✓	✓	✓		
	257	41	C1	2	Control circuit capacitor life display	✓	✓	✓		
	258	42	C2	2	Main circuit capacitor life display	✓	✓	✓		
	259	43	C3	2	Main circuit capacitor life measuring	✓	✓	✓		
Power failure stop	261	45	C5	2	Power failure stop selection	✓	✓	✓	6-163	
—	267	4B	CB	2	Terminal 4 input selection	✓	✓	✓	6-175	
—	268	4C	CC	2	Monitor decimal digits selection	✓	✓	✓	6-138	
—	269	Parameter for manufacturer setting. Do not set.								
Stop-on contact control	270	4E	CE	2	Stop-on contact control selection	—	✓	✓	6-105	
	275	53	D3	2	Stop-on contact excitation current low-speed multiplying factor	—	✓	✓		
	276	54	D4	2	PWM carrier frequency at stop-on contact	—	✓	✓		
—	277	55	D5	2	Stall prevention operation current switchover	✓	✓	✓	6-42	

**Tab. A-5:** Parameter list with instruction codes (6)

Function	Parameter	Instruction Code			Name	Control Mode-based Correspondence Table			Refer to Page	Customer Setting	
		Read	Write	Extended		V/F control	General-purpose magnetic flux vector control	Advanced magnetic flux vector control			
Brake sequence function	278	56	D6	2	Brake opening frequency	—	✓	✓	6-109		
	279	57	D7	2	Brake opening current	—	✓	✓			
	280	58	D8	2	Brake opening current detection time	—	✓	✓			
	281	59	D9	2	Brake operation time at start	—	✓	✓			
	282	5A	DA	2	Brake operation frequency	—	✓	✓			
	283	5B	DB	2	Brake operation time at stop	—	✓	✓			
Droop control	286	5E	DE	2	Droop gain	—	✓	—	6-297		
	287	5F	DE	2	Droop filter time constant	—	✓	—			
—	292	64	E4	2	Automatic acceleration/deceleration	✓	✓	✓	6-77		
—	293	65	E5	2	Acceleration/deceleration separate selection	✓	✓	✓			
	295	67	E7	2	Magnitude of frequency change setting	✓	✓	✓	6-315		
Password function	296	68	E8	2	Password lock level	✓	—	✓	6-199		
	297	69	E9	2	Password lock/unlock	✓	✓	✓			
	298	6A	EA	2	Frequency search gain	✓	✓	✓	6-151		
—	299	6B	EB	2	Rotation direction detection selection at restarting	✓	✓	✓			
Digital input (FR-A7AX-Ekit-SC-E)	300	00	80	3	BCD input	Bias	✓	✓	—		
	301	01	81	3		Gain	✓	✓		✓	
	302	02	82	3	BIN input	Bias	✓	✓		✓	
	303	03	83	3		Gain	✓	✓		✓	
	304	04	84	3	Digital input and analog input compensation enable/disable selection		✓	✓		✓	
	305	05	85	3	Read timing operation selection		✓	✓		✓	
Analog output (FR-A7AY-Ekit-SC-E)	306	06	86	3	Analog output signal selection		✓	✓	✓	—	
	307	07	87	3	Setting for zero analog output		✓	✓	✓		
	308	08	88	3	Setting for maximum analog output		✓	✓	✓		
	309	09	89	3	Analog output signal voltage/current switch over		✓	✓	✓		
	310	0A	8A	3	Analog meter voltage output selection		✓	✓	✓		
	311	0B	8B	3	Setting for zero analog meter voltage output		✓	✓	✓		
	312	0C	8C	3	Setting for maximum analog meter voltage output		✓	✓	✓		

**Tab. A-5:** Parameter list with instruction codes (7)

Function	Parameter	Instruction Code			Name	Control Mode-based Correspondence Table			Refer to Page	Customer Setting
		Read	Write	Extended		V/F control	General-purpose magnetic flux vector control	Advanced magnetic flux vector control		
Analog output (FR-A7AY-Ekit-SC-E)	313	0D	8D	3	Function selection	Y0 terminal	✓	✓	✓	—
	314	0E	8E	3		Y1 terminal	✓	✓	✓	
	315	0F	8F	3		Y2 terminal	✓	✓	✓	
	316	10	90	3		Y3 terminal	✓	✓	✓	
	317	11	91	3		Y4 terminal	✓	✓	✓	
	318	12	92	3		Y5 terminal	✓	✓	✓	
	319	13	93	3		Y6 terminal	✓	✓	✓	
Relay output (FR-A7AR-Ekit-SC-E)	320	14	94	3	Function selection	RA1 terminal	✓	✓	✓	—
	321	15	95	3		RA2 terminal	✓	✓	✓	
	322	16	96	3		RA3 terminal	✓	✓	✓	
Analog output (FR-A7AY-Ekit-SC-E)	323	17	97	3	AM0 0V adjustment		✓	✓	✓	—
	324	18	98	3	AM1 0mA adjustment		✓	✓	✓	
Digital input (FR-A7AX-Ekit-SC-E)	329	1D	9D	3	Digital input unit selection		✓	✓	✓	—
RS-485 communication	338	26	A6	3	Communication operation command source		*	✓	✓	6-218
	339	27	A7	3	Communication speed command source		✓	✓	✓	
	340	28	A8	3	Communication start-up mode selection		✓	✓	✓	6-216
	342	2A	AA	3	Communication E <sup>2</sup> PROM write selection		✓	✓	✓	6-232
	343	2B	AB	3	Communication error count		✓	✓	✓	
DeviceNet communication (FR-A7ND-Ekit-SC-E FR-A7NCA-Ekit-SC-E)	345	2D	AD	3	DeviceNet address		✓	✓	✓	—
	346	2E	AE	3	DeviceNet baud rate		✓	✓	✓	—
Parameter for option FR-A7NC-Ekit-SC-E FR-A7ND-Ekit-SC-E FR-A7NL-Ekit-SC-E FR-A7NP-Ekit-SC-E	349	31	B1	3	Communication reset selection		✓	✓	✓	—
LonWorks communication (FR-A7NL-Ekit-SC-E)	387	57	D7	3	Initial communication delay time		✓	✓	✓	—
	388	58	D8	3	Send time interval at heart beat		✓	✓	✓	
	389	59	D9	3	Minimum sending time at heart beat		✓	✓	✓	
	390	5A	DA	3	% setting reference frequency		✓	✓	✓	
	391	5B	DB	3	Receive time interval at heart beat		✓	✓	✓	
	392	5C	DC	3	Event driven detection width		✓	✓	✓	
Second applied motor	450	32	B2	3	Second applied motor		✓	✓	✓	6-85

Tab. A-5: Parameter list with instruction codes (8)



Function	Parameter	Instruction Code			Name	Control Mode-based Correspondence Table			Refer to Page	Customer Setting
		Read	Write	Extended		V/F control	General-purpose magnetic flux vector control	Advanced magnetic flux vector control		
Remote output	495	5F	DF	4	Remote output selection	✓	✓	✓	6-133	
	496	60	E0	4	Remote output data 1	✓	✓	✓		
	497	61	E1	4	Remote output data 2	✓	✓	✓		
Parameter for option FR-A7NC-Ekit-SC-E FR-A7ND-Ekit-SC-E FR-A7NL-Ekit-SC-E FR-A7NP-Ekit-SC-E	500	00	80	5	Communication error execution waiting time	✓	✓	✓	—	
	501	01	81	5	Communication error occurrence count display	✓	✓	✓		
	502	02	82	5	Stop mode selection at communication error	✓	✓	✓		
Maintenance	503	03	83	5	Maintenance timer	✓	✓	✓	6-307	
	504	04	84	5	Maintenance timer alarm output set time	✓	✓	✓		
CC-Link communication (FR-A7NC-Ekit-SC-E)	541	29	A9	5	Frequency command sign selection (CC-Link)	✓	✓	✓	—	
	542	2A	AA	5	Communication station number (CC-Link)	✓	✓	✓		
	543	2B	AB	5	Baud rate (CC-Link)	✓	✓	✓		
	544	2C	AC	5	CC-Link extended setting	✓	✓	✓		
USB	547	2F	AD	5	USB communication station number	✓	✓	✓	6-276	
	548	30	B0	5	USB communication check time interval	✓	✓	✓		
Communication	549	31	B1	5	Protocol selection	✓	✓	✓	6-232	
	550	32	B2	5	NET mode operation command source selection	✓	✓	✓	6-218	
	551	33	B3	5	PU mode operation command source selection	✓	✓	✓		
Current average monitor	555	37	B7	5	Current average time	✓	✓	✓	6-308	
	556	38	B8	5	Data output mask time	✓	✓	✓		
	557	39	B9	5	Current average value monitor signal output reference current	✓	✓	✓		
—	563	3F	BF	5	Energizing time carrying-over times	✓	✓	✓	6-138	
—	564	40	C0	5	Operating time carrying-over times	✓	✓	✓		
—	571	47	C7	5	Holding time at a start	✓	✓	✓	6-73	
—	611	0B	8B	6	Acceleration time at a restart	✓	✓	✓	6-151	
—	645	2D	AD	6	AM 0V adjustment	✓	—	✓	6-148	
Reduce mechanical resonance	653	35	B5	6	Speed smoothing control	✓	✓	✓	6-174	
—	665	41	C1	6	Regeneration avoidance frequency gain	✓	✓	✓	6-298	
—	800	00	80	8	Control method selection	—	✓	✓	6-36	
—	859	3B	BB	8	Torque current	—	✓	✓	6-88	
Protective function	872	48	C8	8	Input phase loss protection selection	✓	✓	✓	6-170	

**Tab. A-5:** Parameter list with instruction codes (9)

Function	Parameter	Instruction Code			Name	Control Mode-based Correspondence Table			Refer to Page	Customer Setting
		Read	Write	Extended		V/F control	General-purpose magnetic flux vector control	Advanced magnetic flux vector control		
Regeneration avoidance function	882	52	D2	8	Regeneration avoidance operation selection	✓	✓	✓	6-298	
	883	53	D3	8	Regeneration avoidance operation level	✓	✓	✓		
	885	55	D5	8	Regeneration avoidance compensation frequency limit value	✓	✓	✓		
	886	56	D6	8	Regeneration avoidance voltage gain	✓	✓	✓		
Free parameter	888	58	D8	8	Free parameter 1	✓	✓	✓	6-312	
	889	59	D9	8	Free parameter 2	✓	✓	✓		
Calibration parameters	C1 (901)	5D	DD	1	AM terminal calibration	✓	✓	✓	6-148	
	C2 (902)	5E	DE	1	Terminal 2 frequency setting bias frequency	✓	✓	✓	6-181	
	C3 (902)	5E	DE	1	Terminal 2 frequency setting bias	✓	✓	✓		
	125 (903)	5F	DF	1	Terminal 2 frequency setting gain frequency	✓	✓	✓		
	C4 (903)	5F	DF	1	Terminal 2 frequency setting gain	✓	✓	✓		
	C5 (904)	60	E0	1	Terminal 4 frequency setting bias frequency	✓	✓	✓		
	C6 (904)	60	E0	1	Terminal 4 frequency setting bias	✓	✓	✓		
	126 (905)	61	E1	1	Terminal 4 frequency setting gain frequency	✓	✓	✓		
	C7 (905)	61	E1	1	Terminal 4 frequency setting gain	✓	✓	✓		
—	C22 – C25 (922 – 923)	Parameter for manufacturer setting. Do not set.								
PU	990	5A	DA	9	PU buzzer control	✓	✓	✓	6-316	
	991	5B	DB	9	PU contrast adjustment	✓	✓	✓	6-316	
Clear parameters/ Initial value change list	PR.CL	—			Parameter clear	—	—	—	4-16	
	ALLC	—			All parameter clear	—	—	—	4-16	
	Er.CL	—			Faults history clear	—	—	—	7-20	
	PR.CH	—			Initial value change list	—	—	—	4-17	

Tab. A-5: Parameter list with instruction codes (10)

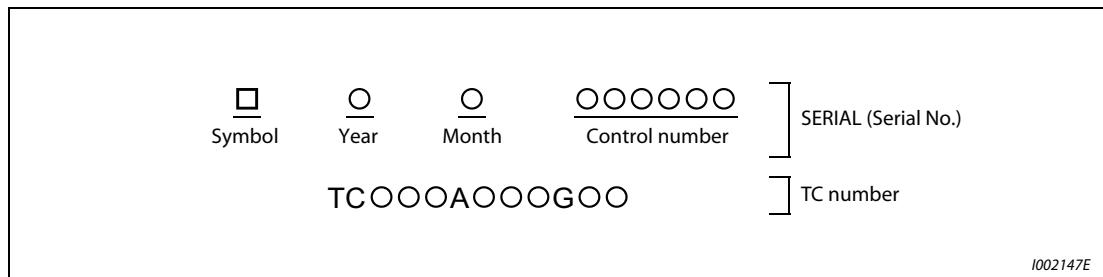
## A.5 Specification change

### A.5.1 SERIAL number check

Check the SERIAL number indicated on the inverter rating plate or package (refer to section 1.2).

The SERIAL consists of:

- 1 version symbol
- 2 numeric characters or 1 numeric character and 1 alphabet letter indicating year and month  
Last digit of the production year is indicated as the Year, and the Month is indicated by 1 to 9, X (October), Y (November), and Z (December).
- 6 numeric characters indicating control number.



**Fig. A-8:** Rating plate example



# Index

## A

AC reactor .....	3-42
Acceleration	
Characteristic .....	6-75
Acceleration and deceleration time	
Parameter .....	6-69
Accessory .....	1-3
Advanced magnetic flux vector control .....	6-30
Parameter .....	6-36
Alarm output	
Terminals .....	3-16
Auto tuning .....	6-88
Automatic restart .....	6-151

## B

Base frequency .....	6-54
Basic settings .....	5-1
Bias	
adjust .....	6-181
Buzzer	
control .....	6-316

## C

Cables	
Size .....	3-9
Calibration	
Terminal AM .....	6-148
Case .....	1-2
Characteristic	
Acceleration/deceleration .....	6-75
Load torque .....	6-56
Cleaning .....	8-6
Combined operation mode .....	6-210
Communication	
Basic settings .....	6-232
Mitsubishi inverter protocol .....	6-239
Modbus-RTU .....	6-258
PU connector .....	6-227
USB .....	6-276
Contactors and breakers .....	3-3
Contrast	
Parameter .....	6-316
Control codes .....	6-243
Control modes .....	6-30
Cooling .....	2-10

Cooling fan	
Operation .....	6-301
Reinstallation .....	8-8
Removal .....	8-7
Cooling system .....	2-10
Cumulative power meter	
clear .....	6-138

## D

Dancer control	
Parameter .....	6-289
DC injection brake	
Parameter .....	6-98
DC reactor .....	3-42
Digital dial	
Description .....	4-8
Magnitude .....	6-315
Dimensions	
Inverter .....	A-5
Parameter unit FR-PA07 .....	A-10
Parameter unit FR-PU07 .....	A-9
Display	
I/O terminals .....	6-143
Selection .....	6-138
Speed .....	6-136
Droop control .....	6-297

## E

Earthing	
Leakage currents .....	3-11
Electromagnetic compatibility .....	3-43
Enclosure	
Cooling system .....	2-10
Design .....	2-7
Energy saving operation .....	6-172
Environment specifications .....	2-7
Error	
corrective action .....	7-4
Diagnosis .....	7-1
Display .....	7-4
LED/LCD display .....	7-2
List .....	7-2
Message .....	7-2
Troubleshooting .....	7-22

**F**

Fault history	
clear .....	7-20
read .....	7-20
Frequency jump	
Parameter .....	6-52
Frequency monitor	
Reference .....	6-146
Frequency setting	
Digital dial .....	5-23
Front cover	
Reinstallation .....	2-1
Removal .....	2-1

**G**

Gain	
adjust .....	6-181

**I**

Input terminals	
Function selection .....	6-114
Inspection .....	8-1
Installation	
Enclosure .....	2-6
Instruction codes .....	A-11
Insulation resistance test .....	8-11

**J**

Jog operation	
Parameter .....	6-61

**L**

Language	
Selection .....	6-313
Language selection	
Parameter .....	6-313
Leakage currents .....	3-43
Life	
Monitor .....	6-302
Load pattern	
Selection .....	6-56
Logic	
Sink logic .....	3-26
Source logic .....	3-26

**M**

Maintenance .....	8-1
Maintenance timer	
Parameter .....	6-307
Mechanical brake	
Control .....	6-109
Mitsubishi inverter protocol .....	6-239

Motor	
Selection .....	6-85
Motor protection	
Parameter .....	6-80
Multi command .....	6-257
Multi-speed setting	
Parameter .....	6-58

**O**

Operation hour meter	
clear .....	6-138
Operation mode	
at power on .....	6-216
combined .....	6-210
Communication .....	6-221
external operation .....	6-208
PU operation mode .....	6-209
Operation mode selection	
Flow chart .....	6-207
Parameter .....	6-204
Operation panel	
Basic functions .....	4-9
Functions .....	4-7
Output	
analog .....	6-146
Output current	
Detection .....	6-131
Output frequency	
Detection .....	6-130
Frequency jumps .....	6-52
Jog frequency .....	6-61
maximum .....	6-50
minimum .....	6-50
Multi-speed setting .....	6-58
Starting frequency .....	6-73
Output signals	
Setting .....	6-129
Output terminals	
Function selection .....	6-124

**P**

Parameter	
clear .....	4-16
free .....	6-312
Instruction codes .....	A-11
Overview .....	6-1
set .....	4-15
Simple mode parameters .....	5-1
Parameter unit	
Wiring .....	3-29
Parameter write disable .....	6-193
PID control	
Parameter .....	6-277

PLC	
Connection	3-28
Power failure	
Automatic restart	6-151
Protective earth	
Wiring	3-6
Protective functions	
Overview	A-4
reset	7-18

**R**

Reactor	3-42
Regeneration avoidance	
Parameter	6-298
Remote outputs	
Parameter	6-133
Remote setting function	
Parameter	6-65
Reset	7-18
Resonance points	
Avoidance	6-52
Restart	
at alarm occurrence	6-167
at power failure	6-153
Reverse rotation prevention	
Parameter	6-195

**S**

Safety stop function	3-23
Second functions	
Setting	6-119
Serial number	
Capacity plate/rating plate	1-2
Coding	A-21
Set value	
adjust	6-181
analog	6-175
Bias	6-185
Filter	6-180
Gain	6-185
Shortest acceleration/deceleration	6-77
Specifications	A-1
Speed display	
Parameter	6-136
Stall prevention	
Parameter	6-42
Stall prevention operation	6-42
Start signal	
Assignment	6-120
Starting frequency	
DC injection brake	6-98
Parameter	6-73
Starting the inverter	4-6

Station number	6-232
Stop-on contact	6-105
Switch	
Voltage/current	6-176

**T**

Terminal	
Control circuit	3-14
Terminals	
Communication	3-16
Function assignment	6-114
Torque	
Boost	6-33
Parameter	6-33

**U**

Up-to-frequency sensitivity	
Parameter	6-129
USB connector	6-276
User groups	
Parameter	6-196
Parameter deletion	6-198

**V**

V/F control	6-30
V/F pattern	
Parameter	6-54
Vector control	
Parameter	6-39

**W**

Wiring	
Control circuit	3-14
DC reactor	3-42
external brake unit	3-37
High power factor converter	3-40
Magnetic contactor	3-32
Main circuit	3-6
Parameter unit	3-29
Power regeneration common converter	3-41
Reactor	3-42
stand-alone option units	3-32
System configuration	3-1
Terminal connection diagram	3-4

**Z**

Zero current	
Detection	6-132







**HEADQUARTERS**

MITSUBISHI ELECTRIC EUROPE B.V. **EUROPE**  
 German Branch  
 Gothaer Straße 8  
**D-40880 Ratingen**  
 Phone: +49 (0)2102 / 486-0  
 Fax: +49 (0)2102 / 486-1120

MITSUBISHI ELECTRIC EUROPE B.V.-org.sl. **CZECH REP.**  
 Czech Branch  
 Avenir Business Park, Radlická 714/113a  
**CZ-158 00 Praha 5**  
 Phone: +420 - 251 551 470  
 Fax: +420 - 251-551-471

MITSUBISHI ELECTRIC EUROPE B.V. **FRANCE**  
 French Branch  
 25, Boulevard des Bouvets  
**F-92741 Nanterre Cedex**  
 Phone: +33 (0)1 / 55 68 55 68  
 Fax: +33 (0)1 / 55 68 57 57

MITSUBISHI ELECTRIC EUROPE B.V. **IRELAND**  
 Irish Branch  
 Westgate Business Park, Ballymount  
**IRL-Dublin 24**  
 Phone: +353 (0)1 4198800  
 Fax: +353 (0)1 4198890

MITSUBISHI ELECTRIC EUROPE B.V. **ITALY**  
 Italian Branch  
 Viale Colleoni 7  
**I-20041 Agrate Brianza (MB)**  
 Phone: +39 039 / 60 53 1  
 Fax: +39 039 / 60 53 312

MITSUBISHI ELECTRIC EUROPE B.V. **POLAND**  
 Poland Branch  
 Krakowska 50  
**PL-32-083 Balice**  
 Phone: +48 (0)12 / 630 47 00  
 Fax: +48 (0)12 / 630 47 01

MITSUBISHI ELECTRIC EUROPE B.V. **RUSSIA**  
 52, bld. 3 Kosmodamianskaya nab 8 floor  
**RU-115054 Moscow**  
 Phone: +7 495 721-2070  
 Fax: +7 495 721-2071

MITSUBISHI ELECTRIC EUROPE B.V. **SPAIN**  
 Spanish Branch  
 Carretera de Rubí 76-80  
**E-08190 Sant Cugat del Vallés (Barcelona)**  
 Phone: 902 131121 // +34 935653131  
 Fax: +34 935891579

MITSUBISHI ELECTRIC EUROPE B.V. **UK**  
 UK Branch  
 Travellers Lane  
**UK-Hatfield, Herts. AL10 8XB**  
 Phone: +44 (0)1707 / 27 61 00  
 Fax: +44 (0)1707 / 27 86 95

MITSUBISHI ELECTRIC CORPORATION **JAPAN**  
 Office Tower "Z" 14 F  
 8-12,1 chome, Harumi Chuo-Ku  
**Tokyo 104-6212**  
 Phone: +81 3 622 160 60  
 Fax: +81 3 622 160 75

MITSUBISHI ELECTRIC AUTOMATION, Inc. **USA**  
 500 Corporate Woods Parkway  
**Vernon Hills, IL 60061**  
 Phone: +1 847 478 21 00  
 Fax: +1 847 478 22 53

**EUROPEAN REPRESENTATIVES**

GEVA **AUSTRIA**  
 Wiener Straße 89  
**AT-2500 Baden**  
 Phone: +43 (0)2252 / 85 55 20  
 Fax: +43 (0)2252 / 488 60

TEHNIKON **BELARUS**  
 Oktyabrskaya 16/5, Off. 703-711  
**BY-220030 Minsk**  
 Phone: +375 (0)17 / 210 46 26  
 Fax: +375 (0)17 / 210 46 26

ESCO DRIVES & AUTOMATION **BELGIUM**  
 Culliganlaan 3  
**BE-1831 Diegem**  
 Phone: +32 (0)2 / 717 64 30  
 Fax: +32 (0)2 / 717 64 31

Koning & Hartman b.v. **BELGIUM**  
 Woluwelaan 31  
**BE-1800 Vilvoorde**  
 Phone: +32 (0)2 / 257 02 40  
 Fax: +32 (0)2 / 257 02 49

INEA BH d.o.o. **BOSNIA AND HERZEGOVINA**  
 Aleja Lipa 56  
**BA-71000 Sarajevo**  
 Phone: +387 (0)33 / 921 164  
 Fax: +387 (0)33 / 524 539

AKHNATON **BULGARIA**  
 4 Andrej Ljapchev Blvd. Pb 21  
**BG-1756 Sofia**  
 Phone: +359 (0)2 / 817 6044  
 Fax: +359 (0)2 / 97 44 06 1

INEA CR d.o.o. **CROATIA**  
 Losinjska 4 a  
**HR-10000 Zagreb**  
 Phone: +385 (0)1 / 36 940 - 01 / -02 / -03  
 Fax: +385 (0)1 / 36 940 - 03

AutoCont C.S. s.r.o. **CZECH REPUBLIC**  
 Technologická 374/6  
**CZ-708 00 Ostrava-Pustkovec**  
 Phone: +420 595 691 150  
 Fax: +420 595 691 199

Beijer Electronics A/S **DENMARK**  
 Lykkegårdsvej 17  
**DK-4000 Roskilde**  
 Phone: +45 (0)46 / 75 76 66  
 Fax: +45 (0)46 / 75 56 26

Beijer Electronics Eesti OÜ **ESTONIA**  
 Pärnu mnt.160i  
**EE-11317 Tallinn**  
 Phone: +372 (0)6 / 51 81 40  
 Fax: +372 (0)6 / 51 81 49

Beijer Electronics OY **FINLAND**  
 Peltoie 37  
**FIN-28400 Ulvila**  
 Phone: +358 (0)207 / 463 540  
 Fax: +358 (0)207 / 463 541

UTEKO **GREECE**  
 5, Mavrogenou Str.  
**GR-18542 Piraeus**  
 Phone: +30 211 / 1206 900  
 Fax: +30 211 / 1206 999

MELTRADE Kft. **HUNGARY**  
 Fertő utca 14.  
**HU-1107 Budapest**  
 Phone: +36 (0)1 / 431-9726  
 Fax: +36 (0)1 / 431-9727

Beijer Electronics SIA **LATVIA**  
 Ritausmas iela 23  
**LV-1058 Riga**  
 Phone: +371 (0)784 / 2280  
 Fax: +371 (0)784 / 2281

Beijer Electronics UAB **LITHUANIA**  
 Savanoriu Pr. 187  
**LT-02300 Vilnius**  
 Phone: +370 (0)5 / 232 3101  
 Fax: +370 (0)5 / 232 2980

**EUROPEAN REPRESENTATIVES**

ALFATRADE Ltd. **MALTA**  
 99, Paola Hill  
**Malta- Paola PLA 1702**  
 Phone: +356 (0)21 / 697 816  
 Fax: +356 (0)21 / 697 817

INTEHSIS srl **MOLDOVA**  
 bld. Traian 23/1  
**MD-2060 Kishinev**  
 Phone: +373 (0)22 / 66 4242  
 Fax: +373 (0)22 / 66 4280

HIFLEX AUTOM.TECHNIEK B.V. **NETHERLANDS**  
 Wolweverstraat 22  
**NL-2984 CD Ridderkerk**  
 Phone: +31 (0)180 - 46 60 04  
 Fax: +31 (0)180 - 44 23 55

Koning & Hartman b.v. **NETHERLANDS**  
 Haarlbergweg 21-23  
**NL-1101 CH Amsterdam**  
 Phone: +31 (0)20 / 587 76 00  
 Fax: +31 (0)20 / 587 76 05

Beijer Electronics AS **NORWAY**  
 Postboks 487  
**NO-3002 Drammen**  
 Phone: +47 (0)32 / 24 30 00  
 Fax: +47 (0)32 / 84 85 77

Fonseca S.A. **PORTUGAL**  
 R. João Francisco do Casal 87/89  
**PT - 3801-997 Aveiro, Esgueira**  
 Phone: +351 (0)234 / 303 900  
 Fax: +351 (0)234 / 303 910

Sirius Trading & Services srl **ROMANIA**  
 Aleea Lacul Morii Nr. 3  
**RO-060841 Bucuresti, Sector 6**  
 Phone: +40 (0)21 / 430 40 06  
 Fax: +40 (0)21 / 430 40 02

Craft Con. & Engineering d.o.o. **SERBIA**  
 Bulevar Svetog Cara Konstantina 80-86  
**SER-18106 Nis**  
 Phone: +381 (0)18 / 292-24-4/5  
 Fax: +381 (0)18 / 292-24-4/5

INEA SR d.o.o. **SERBIA**  
 Izletnicka 10  
**SER-113000 Smederevo**  
 Phone: +381 (0)26 / 617 163  
 Fax: +381 (0)26 / 617 163

SIMAP s.r.o. **SLOVAKIA**  
 Jána Derku 1671  
**SK-911 01 Trenčín**  
 Phone: +421 (0)32 743 04 72  
 Fax: +421 (0)32 743 75 20

PROCONT, spol. s r.o. Prešov **SLOVAKIA**  
 Kúpeľná 1/A  
**SK-080 01 Prešov**  
 Phone: +421 (0)51 7580 611  
 Fax: +421 (0)51 7580 650

INEA d.o.o. **SLOVENIA**  
 Stegne 11  
**SI-1000 Ljubljana**  
 Phone: +386 (0)1 / 513 8100  
 Fax: +386 (0)1 / 513 8170

Beijer Electronics AB **SWEDEN**  
 Box 426  
**SE-20124 Malmö**  
 Phone: +46 (0)40 / 35 86 00  
 Fax: +46 (0)40 / 93 23 01

Omni Ray AG **SWITZERLAND**  
 Im Schörlif 5  
**CH-8600 Dübendorf**  
 Phone: +41 (0)44 / 802 28 80  
 Fax: +41 (0)44 / 802 28 28

GTS **TURKEY**  
 Bayraktar Bulvarı Nutuk Sok. No:5  
**TR-34775 Yukarı Dudullu-Ümraniye-İSTANBUL**  
 Phone: +90 (0)216 526 39 90  
 Fax: +90 (0)216 526 39 95

CSC Automation Ltd. **UKRAINE**  
 4-B, M. Raskovoyi St.  
**UA-02660 Kiev**  
 Phone: +380 (0)44 / 494 33 55  
 Fax: +380 (0)44 / 494-33-66

**EURASIAN REPRESENTATIVES**

TOO Kazpromavtomatika **KAZAKHSTAN**  
 Ul. Zhambyla 28  
**KAZ-100017 Karaganda**  
 Phone: +7 7212 / 50 10 00  
 Fax: +7 7212 / 50 11 50

**MIDDLE EAST REPRESENTATIVE**

SHERF Motion Techn. Ltd. **ISRAEL**  
 Rehov Hamerkava 19  
**IL-58851 Holon**  
 Phone: +972 (0)3 / 559 54 62  
 Fax: +972 (0)3 / 556 01 82

CEG INTERNATIONAL **LEBANON**  
 Cebaco Center/Block A Autostrade DORA  
**Lebanon - Beirut**  
 Phone: +961 (0)1 / 240 430  
 Fax: +961 (0)1 / 240 438

**AFRICAN REPRESENTATIVE**

CBI Ltd. **SOUTH AFRICA**  
 Private Bag 2016  
**ZA-1600 Isando**  
 Phone: +27 (0)11 / 977 0770  
 Fax: +27 (0)11 / 977 0761