

MELSEC A Series

Programmable Logic Controller

User's Manual

I/O module type Building block

● SAFETY PRECAUTIONS ●

(Read these precautions before using.)

When using Mitsubishi equipment, thoroughly read this manual and the associated manuals introduced in this manual. Also pay careful attention to safety and handle the module properly.

These precautions apply only to Mitsubishi equipment. Refer to the CPU module user's manual for a description of the PC system safety precautions.

These ● SAFETY PRECAUTIONS ● classify the safety precautions into two categories: "DANGER" and "CAUTION".



DANGER

Procedures which may lead to a dangerous condition and cause death or serious injury if not carried out properly.



CAUTION

Procedures which may lead to a dangerous condition and cause superficial to medium injury, or physical damage only, if not carried out properly.

Depending on circumstances, procedures indicated by  CAUTION may also be linked to serious results.

In many cases, it is important to follow the directions for usage.

Store this manual in a safe place so that you can take it out and read it whenever necessary. Always forward it to the end user.



DANGER

- Safety circuits should be installed external to the programmable controller to ensure that the system as a whole will continue to operate safely in the event of an external power supply malfunction or a programmable controller failure. Erroneous outputs and operation could result in an accident.
 - 1) The following circuitry should be installed outside the programmable controller:

Interlock circuitry for the emergency stop circuit protective circuit, and for reciprocal operations such as forward/reverse, etc., and interlock circuitry for upper/lower positioning limits, etc., to prevent machine damage.
 - 2) When the programmable controller detects an abnormal condition, processing is stopped and all outputs are switched OFF. This happens in the following cases:
 - When the power supply module's over-current or over-voltage protection device is activated.
 - When an error (watchdog timer error, etc.) is detected at the PC CPU by the self-diagnosis function.Some errors, such as input/output control errors, cannot be detected by the PC CPU, and there may be cases when all outputs are turned ON when such errors occur. In order to ensure that the machine operates safely in such cases, a failsafe circuit or mechanism should be provided outside the programmable controller. Refer to the CPU module user's manual for an example of such a failsafe circuit.
 - 3) Outputs may become stuck at ON or OFF due to an output module relay or transistor failure. An external circuit should therefore be provided to monitor output signals whose incorrect operation could cause serious accidents.
- A circuit should be installed which permits the external power supply to be switched ON only after the programmable controller power has been switched ON. Accidents caused by erroneous outputs and motion could result if the external power supply is switched ON first.
- When a data link communication error occurs, the status shown below will be established at the faulty station. In order to ensure that the system operates safely at such times, an interlock circuit should be provided in the sequence program (using the communication status information). Erroneous outputs and operation could result in an accident.
 - 1) The data link data which existed prior to the error will be held.
 - 2) All outputs will be switched OFF at MELSECNET (II, /B, /10) remote I/O stations.
 - 3) At the MELSECNET/MINI-S3 remote I/O stations, all outputs will be switched OFF or output statuses will be held, depending on the E.C. mode setting.For details on procedures for checking faulty stations, and for operation statuses when such errors occur, refer to the appropriate data link manual.
- When configuring a system, do not leave any slots vacant on the base. Should there be any vacant slots, always use a blank cover (AG60) or dummy module (AG62).

When the extension base A52B, A55B, A58B is used, attach the dustproof cover supplied with the product to the module installed in slot 0.

If the cover is not attached, the module's internal parts may be dispersed when a short-circuit test is performed or overcurrent/overvoltage is accidentally applied to the external I/O area.

[System Design Precautions]

 CAUTION

- Do not bundle control lines or communication wires together with main circuit or power lines, or lay them close to these lines.
As a guide, separate the lines by a distance of at least 100 mm, otherwise malfunctions may occur due to noise.
- When controlling items like lamp load, heater or solenoid valve using an output module, large current (approximately ten times greater than present in normal circumstances) may flow when the output is turned OFF→ON. Take measures such as replacing the module with one having sufficient rated current.

[Cautions on Mounting]

 CAUTION

- Use the PC in an environment that conforms to the general specifications in the manual.
Using the PC in environments outside the ranges stated in the general specifications will cause electric shock, fire, malfunction, or damage to/deterioration of the product.
- Make sure that the module fixing projection on the base of the module is properly engaged in the module fixing hole in the base unit before mounting the module.
Failure to mount the module properly will result in malfunction or failure, or in the module falling.
- Extension cables should be securely connected to base unit and module connectors. Check for loose connection after installation.
A poor connection could result in contact problems and erroneous inputs/outputs.
- Plug the memory cassette properly by pressing on the connector for installation. Check for loose connection after installation.
A poor connection could result in erroneous operation.
- Plug the memory firmly into the memory socket. Check for loose connection after installation.
A poor connection could result in erroneous operation.

[Cautions on Wiring]

 **DANGER**

- Switch off the external power supply before starting installation and wiring work.
Failure to do so could result in electrical shocks and equipment damage.
- After installation and wiring is completed, be sure to attach the terminal cover before switching the power ON and starting operation.
Failure to do so could result in electrical shocks.

 **CAUTION**

- Be sure to ground the FG and LG terminals, carrying out at least class 3 grounding work with a ground exclusive to the PC.
Otherwise there will be a danger of electric shock and malfunctions.
- Carry out wiring to the PC correctly, checking the rated voltage and terminal arrangement of the product.
Using a power supply that does not conform to the rated voltage, or carrying out wiring incorrectly, will cause fire or failure.
- Outputs from multiple power supply modules should not be connected in parallel. Failure to do so could cause the power supply module to overheat, resulting in a fire or module failure.
- Tighten the terminal screws to the stipulated torque.
Loose screws will cause short circuits, fire, or malfunctions.
- Make sure that no foreign matter such as chips or wiring offcuts gets inside the module.
It will cause fire, failure or malfunction.
- Connectors for external connections should be crimped, pressure welded, or soldered in the correct manner using the correct tools.
For details regarding crimping and pressure welding tools, refer to the input/output module user's manual.
A poor connection could cause shorts, fire, and erroneous operation.

[Cautions on Startup and Maintenance]

 **DANGER**

- Do not touch terminals while the power is ON.
This will cause malfunctions.
- Make sure that the battery is connected properly. Do not attempt to charge or disassemble the battery, do not heat the battery or place it in a flame, and do not short or solder the battery.
Incorrect handling of the battery can cause battery heat generation and ruptures which could result in fire or injury.
- Switch the power off before cleaning or re-tightening terminal screws.
Carrying out this work while the power is ON will cause failure or malfunction of the module.

 **CAUTION**

- In order to ensure safe operation, read the manual carefully to acquaint yourself with procedures for program changes, forced outputs, RUN, STOP, and PAUSE operations, etc., while operation is in progress.
Incorrect operation could result in machine failure and injury.
- Do not disassemble or modify any module.
This will cause failure, malfunction, injuries, or fire.
- Switch the power OFF before mounting or removing the module.
Mounting or removing it with the power ON can cause failure or malfunction of the module.
- When replacing fuses, be sure to use the prescribed fuse. A fuse of the wrong capacity could cause a fire.

[Cautions on Disposal]

 **CAUTION**

- Dispose of this product as industrial waste.

REVISIONS

※The manual number is given on the bottom left of the back cover.

Print Date	*Manual Number	Revision
Jun., 1988	IB (NA) 66140-A	First edition
Sep., 1989	IB (NA) 66140-B	<div style="border: 1px solid black; padding: 2px; display: inline-block;">Correction</div> CONTENTS, Page 2-12, 2-14, 3-19, 4-2 <div style="border: 1px solid black; padding: 2px; display: inline-block;">Addition</div> Page 4-1, 4-3 "Instructions for Strategic Materials" added
May., 1993	IB (NA) 66140-C	<div style="border: 1px solid black; padding: 2px; display: inline-block;">Addition of modules</div> AX31, AX81-S2, AY40P, AY41P, AY51-S1, AY42-S3, AY42-S4, AY72, AH42 <div style="border: 1px solid black; padding: 2px; display: inline-block;">Correction</div> CONTENTS, Section 1, 2, 2.3, 2.9, 2.12, 2.13, 2.14, 2.15, 2.16, 2.22, 3, 3.1, 3.3, 3.4, 3.7, 3.9, 3.15, 3.22, 3.23, 3.24, 3.25, 3.26, 3.27, 3.30, 3.32, 3.33, 4.1.1, 5.1, 7, App. 1, Index <div style="border: 1px solid black; padding: 2px; display: inline-block;">Addition</div> Section 2.5, 2.21, 3.12, 3.14, 3.17, 3.18, 3.21, 3.28, 4.2, 6.4
Nov., 1998	IB (NA) 66140-D	<div style="border: 1px solid black; padding: 2px; display: inline-block;">Addition of modules</div> AX11EU, AX21EU, AY11AEU, AY11EEU, AY13EU, AY15EU, AY20EU <div style="border: 1px solid black; padding: 2px; display: inline-block;">Correction</div> CONTENTS
Feb., 1999	IB (NA) 66140-E	<div style="border: 1px solid black; padding: 2px; display: inline-block;">Correction</div> SAFETY PRECAUTIONS, CONTENTS

INTRODUCTION

Thank you for choosing the Mitsubishi MELSEC-A Series of General Purpose Programmable Controllers. Please read this manual carefully so that the equipment is used to its optimum. A copy of this manual should be forwarded to the end User.

CONTENTS

1. NOTES ON SELECTING THE I/O MODULES	1-1~1-6
1.1 GENERAL SPECIFICATIONS	1-1
1.2 Notes on selected the I/O modules	1-2
2. INPUT MODULE SPECIFICATIONS	2-1~2-23
2.1 Type AX10 Input Module	2-2
2.2 Type AX11 Input Module	2-3
2.2.1 Type AX11EU Input Module	2-3-1
2.3 Type AX20 Input Module	2-4
2.4 Type AX21 Input Module	2-5
2.4.1 Type AX21EU Input Module	2-5-1
2.5 Type AX31 Input Module	2-6
2.6 Type AX40 Input Module (Sink Loading)	2-7
2.7 Type AX41 Input Module (Sink Loading)	2-8
2.8 Type AX41-S1 Input Module (Sink Loading)	2-9
2.9 Type AX42 Input Module (Sink Loading)	2-10
2.10 Type AX42-S1 Input Module (Sink Loading)	2-11
2.11 Type AX50 Input Module (Sink Loading)	2-12
2.12 Type AX50-S1 Input Module (Sink/Source)	2-13
2.13 Type AX60 Input Module (Sink Loading)	2-14
2.14 Type AX60-S1 Input Module (Sink/Source Loading)	2-15
2.15 Type AX70 Input Module (Sink/Source)	2-16
2.16 Type AX71 Input Module (Sink/Source)	2-17
2.17 Type AX80 Input Module (Source Loading)	2-18
2.18 Type AX80E Input Module (Source Loading)	2-19
2.19 Type AX81 Input Module (Source Loading)	2-20
2.20 Type AX81-S1 Input Module (Source Loading)	2-21
2.21 Type AX81-S2 Input Module (Source Loading)	2-22
2.22 Type AX82 Input Module (Source Loading)	2-23
3. OUTPUT MODULE SPECIFICATIONS	3-1~3-34
3.1 Type AY10 Output Module	3-2
3.2 Type AY10A Output Module (Relay Contact Output (all points independent))	3-3
3.3 Type AY11 Output Module	3-4
3.4 Type AY11A Output Module (Relay Contact Output (all points independent))	3-5
3.4.1 Type AY11AEU Output Module (Relay Contact Output (all points independent))	3-5-1
3.5 Type AY11E Output Module	3-6
3.5.1 Type AY11EEU Output Module	3-6-1
3.6 Type AY13 Output Module	3-7
3.6.1 Type AY13EU Output Module	3-7-1
3.7 Type AY13E Output Module	3-8
3.7.1 Type AY15EU Output Module	3-8-1
3.7.2 Type AY20EU Output Module	3-8-2
3.8 Type AY22 Output Module	3-9
3.9 Type AY23 Output Module	3-10
3.10 Type AY40 Output Module (Sink Loading)	3-11
3.11 Type AY40A Output Module (Sink Loading, all points independent)	3-12
3.12 Type AY40P Output Module (Sink Loading)	3-13

3.13	Type AY41 Output Module (Sink Loading)	3-14
3.14	Type AY41P Output Module (Sink Loading)	3-15
3.15	Type AY42 Output Module (Sink Loading)	3-16
3.16	Type AY42-S1 Output Module (Sink Loading)	3-17
3.17	Type AY42-S3 Output Module (Sink Loading)	3-18
3.18	Type AY42-S4 Output Module (Sink Loading)	3-19
3.19	Type AY50 Output Module (Sink Loading)	3-20
3.20	Type AY51 Output Module (Sink Loading)	3-21
3.21	Type AY51-S1 Output Module (Sink Loading)	3-22
3.22	Type AY60 Output Module (Sink Loading)	3-23
3.23	Type AY60S Output Module (Sink Loading)	3-24
3.24	Type AY60E Output Module (Sink Loading)	3-25
3.25	Type AY60EP Output Module (Source Loading, Circuit protection provided)	3-26
3.26	Type AY70 Output Module (Sink Loading)	3-27
3.27	Type AY71 Output Module (Sink Loading)	3-28
3.28	Type AY72 Output Module (Sink Loading)	3-29
3.29	Type AY80 Output Module (Source Loading)	3-30
3.30	Type AY80EP Output Module (Source Loading, Circuit protection provided)	3-31
3.31	Type AY81 Output Module (Source Loading)	3-32
3.32	Type AY81EP Output Module (Source Loading, Circuit protection provided)	3-33
3.33	Type AY82EP Output Module (Source Loading, Circuit protection provided)	3-34

4. I/O COMPOSITE MODULE SPECIFICATIONS 4-1~4-5

4.1	A42XY Dynamic I/O Module	4-1
4.1.1	Specifications	4-1
4.1.2	Dynamic scanning	4-3
4.1.3	LED brightness adjustment	4-3
4.2	AH42 I/O Module	4-4

5. SPECIFICATIONS OF CONNECTOR/TERMINAL BLOCK CONVERTOR MODULES .. 5-1~5-5

5.1	Specifications of Connector/Terminal Block Convertor Modules	5-1
5.2	Connector/Terminal Block Convertor Module Connection Diagrams	5-2
5.2.1	A6TBXY36	5-2
5.2.2	A6TBXY54	5-2
5.2.3	A6TBX70	5-3
5.2.4	A6TBX36-E	5-3
5.2.5	A6TBY36-E	5-4
5.2.6	A6TBX54-E	5-4
5.2.7	A6TBY54-E	5-5
5.2.8	A6TBX70-E	5-5

6. BLANK COVER, DUMMY MODULE, SIMULATION SWITCH SPECIFICATIONS 6-1

6.1	Blank Cover (AG60), Dummy Module (AG62) Specifications	6-1
6.2	Setting the AG62's I/O Points Occupied	6-1
6.3	Simulation Switch (A6SW16, A6SW32) Specifications	6-1

7. NOMENCLATURE	7-1~7-8
7.1 I/O Module Nomenclature.....	7-1
7.2 A42XY Nomenclature.....	7-2
7.3 Dummy Module Nomenclature.....	7-3
7.4 Connector/Terminal Block Convertor Modules	7-4
7.5 Installing/Removing the Simulation Switch	7-7
7.5.1 Installation	7-7
7.5.2 Removal.....	7-8
8. I/O CONNECTION TROUBLESHOOTING	8-1~8-5
8.1 Input Wiring Troubleshooting.....	8-1
8.2 Output Wiring Troubleshooting.....	8-4
APPENDIX	APP-1~APP-8
APPENDIX 1. DIMENSIONS	APP-1
1.1 I/O Module.....	APP-1
1.2 Dynamic I/O Module (A42XY).....	APP-4
1.3 Blank Cover (AG62)	APP-5
1.4 Dummy Module (AG62)	APP-6
1.5 Simulation Switch	APP-7
1.6 Connector/Terminal Block Convertor Modules	APP-10
1.7 40-Pin Connectors.....	APP-11
1.8 Pin D-Sub Connectors	APP-12

1.1 GENERAL SPECIFICATIONS

Table 1.1 General specification

Item	Specifications					
Ambient operating temperature	0 to 50 °C					
Ambient storage temperature	-20 to 75 °C					
Ambient operating humidity	10 to 90 % RH, No-condensing					
Ambient storage humidity	10 to 90 % RH, No-condensing					
Vibration resistance	Conforming to JIS B 6501, IEC 1131-2	Under intermittent vibration	Frequency	Acceleration	Amplitude	No. of sweeps 10 times each in X, Y, Z directions (for 80min.)
			10 to 57Hz	—	0.075mm (0.003in.)	
		Under continuous vibration	57 to 150Hz	9.8m/s ² {1 G}	—	
			10 to 57Hz	—	00.35mm (0.001in.)	
Shock resistance	Conforming to JIS B 3501, IEC 1131-2 (147 m/s ² {15G}, 3 times in each of 3 directions X Y Z)					
Operating ambience	No corrosive gases					
Operating elevation	2000m (6562ft.) max.					
Installation location	Control panel					
Over voltage category *1	II max.					
Pollution level *2	2 max.					

*1: This indicates the section of the power supply to which the equipment is assumed to be connected between the public electrical power distribution network and the machinery within premises. Category II applies to equipment for which electrical power is supplied from fixed facilities. The surge voltage withstand level for up to the rated voltage of 300 V is 2500 V.

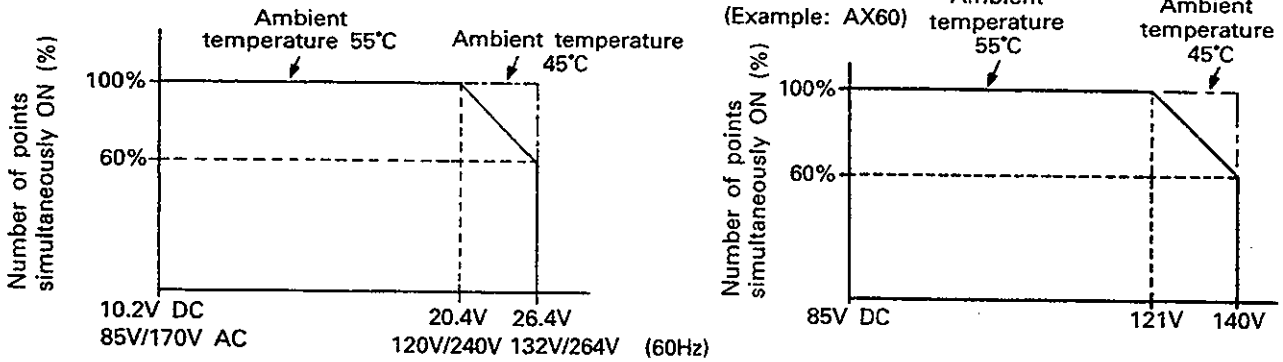
*2: This index indicates the degree to which conductive material is generated in terms of the environment in which the equipment is used. Pollution level 2 is when only non-conductive pollution occurs. A temporary conductivity caused by condensing must be expected occasionally.

1. NOTES ON SELECTING THE I/O MODULES



1.2 NOTES ON SELECTING THE I/O MODULES

(1) The maximum number of input points which may be switched ON at any one time ("Max. Simultaneously ON" in the following tables) for a 32 or 64 way module depends on the input voltage and ambient temperature as shown in the following diagrams.



(2) Triac output modules should be used instead of relay contact output modules when:

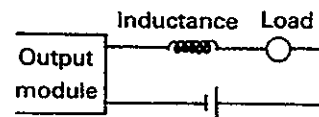
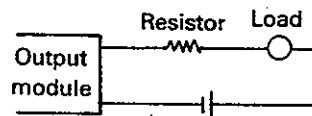
- The outputs are being switched very frequently.
- A large inductive load is being switched.
- An inductive load with a low power factor is being switched.

The life of a relay switching any of the above conditions will be substantially reduced.

(3) The ON time and OFF time for any inductive load switched by an output module must be more than one second.

(4) Beware of rush currents when an AY40, AY41 or AY42 output module is used to switch a load incorporating a DC/DC converter (e.g. a timer or counter).

Either connect a resistive or inductive load in series with the load or use an AY50 or AY51 output module.



(5) The maximum number of output points which may be switched on at one time depends on the current capacity of the common terminal which, in turn, depends on the ambient temperature.

Note that if certain output modules are installed next to a power supply module the current capacity of the common terminal must be de-rated. The de-rated current capacity is given in parentheses in the specification tables.

1. NOTES ON SELECTING THE I/O MODULES



(6) Output modules fitted with on-board fuses will be protected by the fuses providing the following criteria are met:

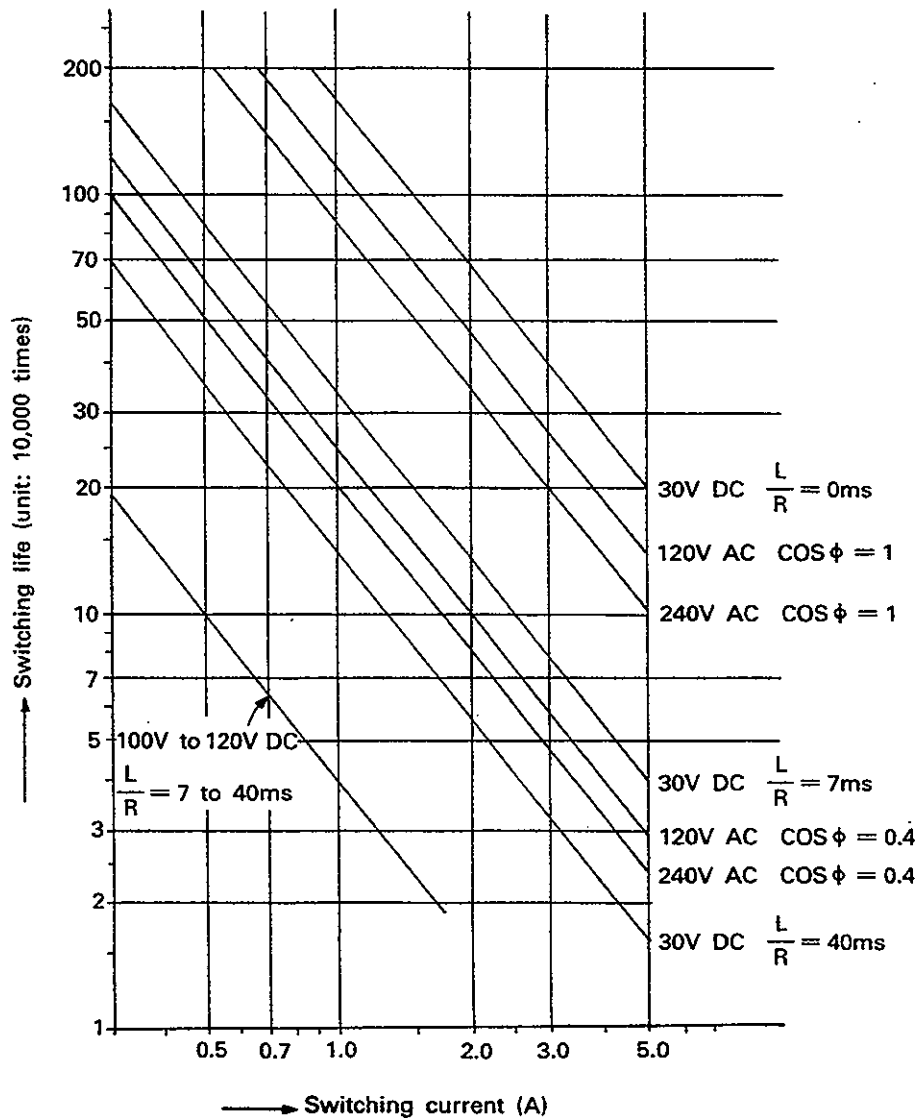
Item \ Load Voltage	12/24V DC Load	48V DC Load	100/200V AC Load
Wiring length	3m (118.11inch) minimum	3m (118.11inch) minimum	3m (118.11inch) minimum
Cable size	2mm ² (14 AWG) maximum	2mm ² (14 AWG) maximum	2mm ² (14 AWG) maximum
Short-circuit current	20A maximum	9A maximum	—
Transformer capacity	—	—	2kVA maximum

Where these criteria are not met and fuse protection is required an external "fast-blow" fuse should be provided. The following external fast-blow fuses are recommended.

- AC : HP fuse
- DC : MP fuse

(7) The relay life for relay output modules (AY10, AY10A, AY11, AY13) is shown below.

Relay output modules should be selected with reference to these characteristics and to the frequency of operation.



1. NOTES ON SELECTING THE I/O MODULES

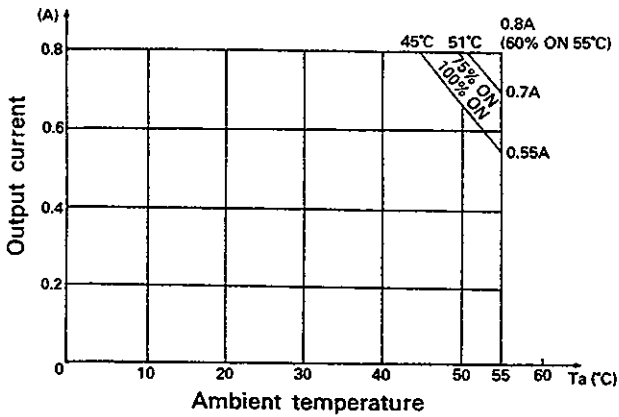


- (8) When using a pressure displacement type connector jack (flat cable (pitch: 1.27 mm)) for an AX42 input unit or AY42 output unit, the following type connector jack should be prepared by the user. Consult your nearest Mitsubishi representative about the connector jack.

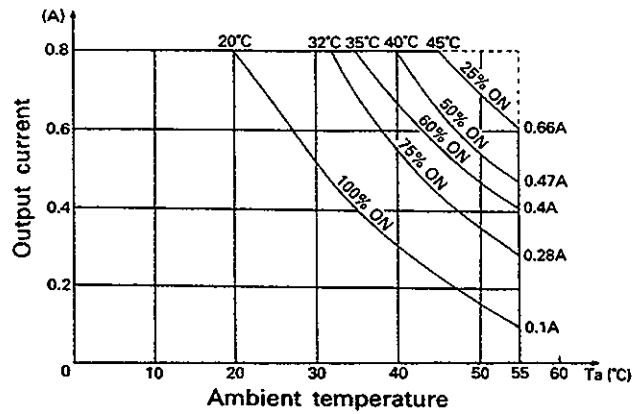
Type: FCN-367J040-AU/F (close end type, gold plated)

Connect cables referring to Sections 2.7 and 3.15 for pin arrangement and flat cable arrangement.

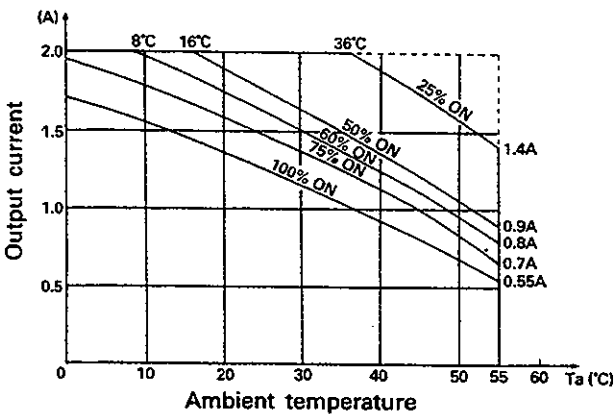
- (9) The maximum number of output points which may be simultaneously on in the AY80EP, AY81EP or AY60EP output units varies with output current and ambient temperature as follows.



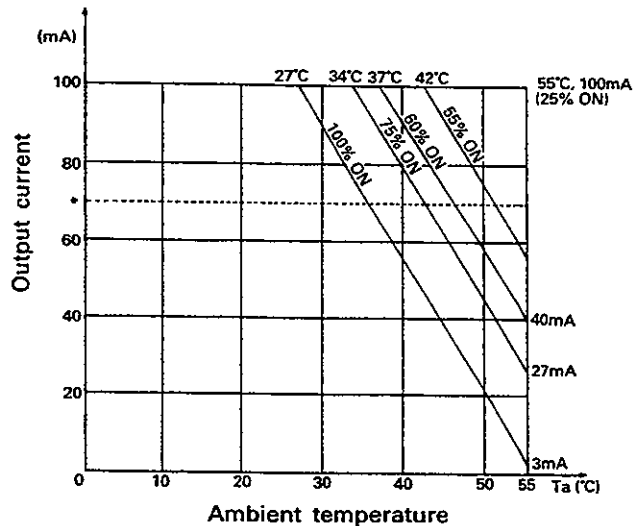
AY80EP



AY81EP



AY60EP



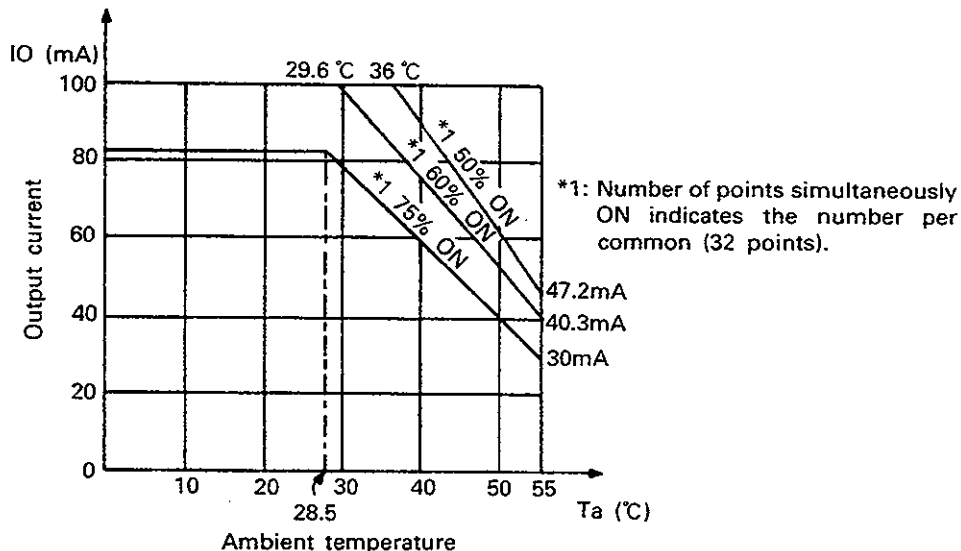
AY82EP

*70mA/point if all of Yn8 × m to Yn8 × m + 7 (n = 0, 1, 2, m = 0, 1) are on.

1. NOTES ON SELECTING THE I/O MODULES



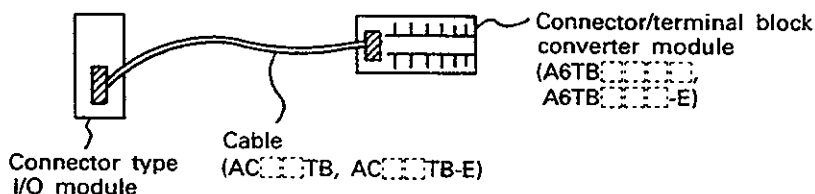
(10) The maximum number of output points which may be simultaneously on in the AY42-S3 (with fuse) varies with output current and ambient temperature as follows.



REMARKS

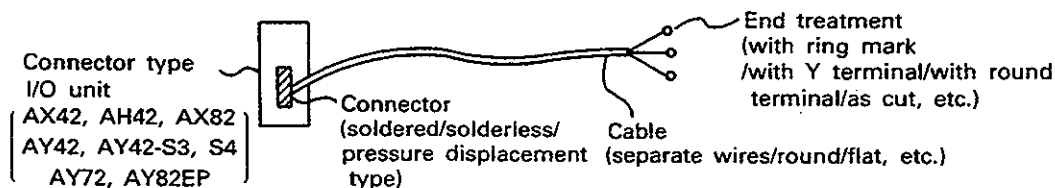
Consult your nearest supplier with the following I/O module related parts and cable.

- (1) Connector/terminal block converter module and cable
I/O wiring can be installed using a terminal block by connecting a connector type I/O unit to a connector/terminal block converter module via a cable.



[Supplier]
Consult your nearest Mitsubishi representative.

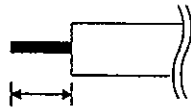
- (2) I/O cable (connectable)
Wiring becomes easy by using I/O cable with connector which can be connected to 40-pin or 37-pin D subconnector of I/O unit.
(Consult your nearest Mitsubishi representative with I/O cable with connector.)



(11) When using AX□EU, AY□EU, etc., if the wires are connected to the terminal block without using solderless terminals, observe the following points.

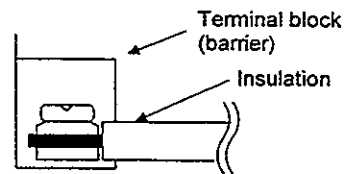
(a) Bare the end of insulated wires to expose about 6 to 8 mm of naked wire.

When making connections, ensure that bared wire does project from the terminal block. If it does not, it may close the gap to a distance shorter than that required for insulation between the terminals.



Bared length: 6 to 8 mm (0.24 to 0.31 in.)

Treatment of end of wire



Connection to the terminal block
(viewed from side)

(b) If twisted wire is used, make sure that it does not unravel.

2. INPUT MODULE SPECIFICATIONS



2. INPUT MODULE SPECIFICATIONS

Quick Reference Summary

type	Number of inputs	Input voltage	Features
AX10	16	100-120V AC	
AX11	32	100-120V AC	
AX11EU	32	100-120V AC	
AX20	16	200-240V AC	
AX21	32	200-240V AC	
AX21EU	32	200-240V AC	
AX31	32	12/24V DC, 12/24V AC	
AX40	16	12/24V DC	Sink inputs
AX41	32	12/24V DC	Sink inputs
AX41-S1	32	12/24V DC	Sink inputs, fast response time
AX42	64	12/24V DC	Sink inputs
AX42-S1	64	12/24V DC	Sink inputs, fast response time
AX50	16	48V DC	Sink inputs
AX50-S1	16	48V DC	Sink/source selectable
AX60	16	100/110/125V DC	Sink inputs
AX60-S1	16	100/110/125V DC	Sink/source selectable
AX70	16	5/12/24V DC	Sink/source selectable
AX71	32	5/12/24V DC	Sink/source selectable
AX80	16	12/24V DC	Source inputs
AX80E	16	12/24V DC	Source inputs, 8 points selectable as fast response
AX81	32	12/24V DC	Source inputs
AX81-S1	32	12/24V DC	Source inputs, low on/off response threshold
AX81-S2	32	48/60V DC	Source inputs
AX82	64	12/24V DC	Source inputs

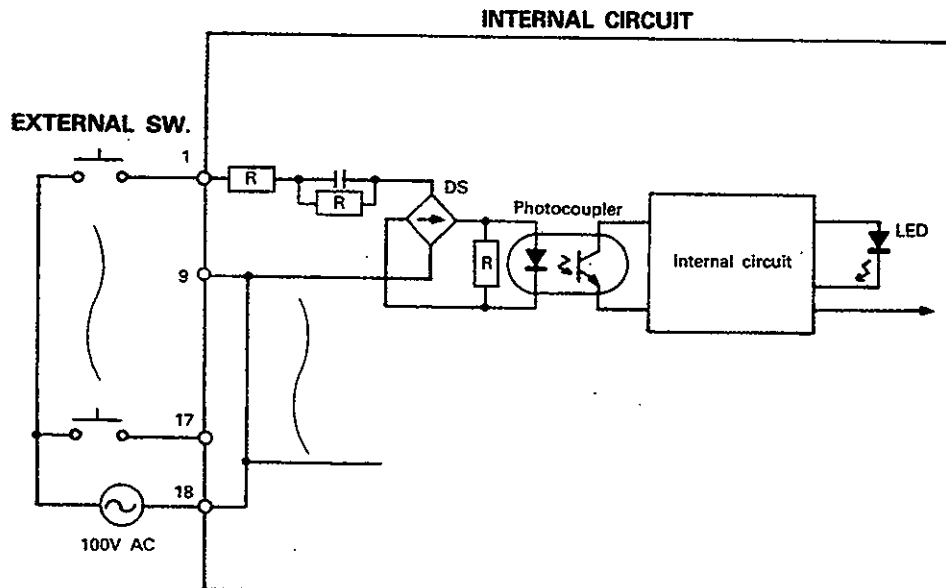
2. INPUT MODULE SPECIFICATIONS



2.1 Type AX10 Input Module

AC Input		Type	AX10	Front View mm(inch)
Specifications				
Input points			16 points	
Insulation system			Photocoupler	
Rated input voltage			100—120V AC 50/60Hz	
Rated input current			10mA (100V AC 60Hz)	
Operating voltage range			85 to 132V AC (50/60Hz ± 5%)	
Max. simultaneously ON			100% (16 points)	
Inrush current			Max. 300mA, within 0.3ms (132V AC)	
ON voltage/ON current			80V AC or higher/6mA or higher	
OFF voltage/OFF current			40V AC or lower/4mA or lower	
input impedance			Approx. 10kΩ (60Hz), approx. 12kΩ (50Hz)	
Response time	OFF → ON		15ms or less	
	ON → OFF		25ms or less	
Internal current consumption (5V DC)			55mA (TYP. all points ON)	
Common terminal arrangement			16 points/common (common terminal: TB9, TB18)	
Indication			1 LED per point	
Connection method			20-point removable terminal block (M3 × 6mm metric screws)	
Applicable wire size			0.75 to 2mm ² (18 to 14 AWG) (tightening torque: 7kg·cm (0.505lb-ft))	
Applicable solderless terminal			1.25-3, 1.25-YS3A, 2-S3, 2-YS3A, V1.25-3, V1.25-YS3A, V2-S3, V2-YS3A	
			Weight	0.39kg (0.86lbs)

Terminal No.	Signal No.
TB1	X00
TB2	X01
TB3	X02
TB4	X03
TB5	X04
TB6	X05
TB7	X06
TB8	X07
TB9	Power supply common
TB10	X08
TB11	X09
TB12	X0A
TB13	X0B
TB14	X0C
TB15	X0D
TB16	X0E
TB17	X0F
TB18	Power supply common
TB19	Not used
TB20	Not used



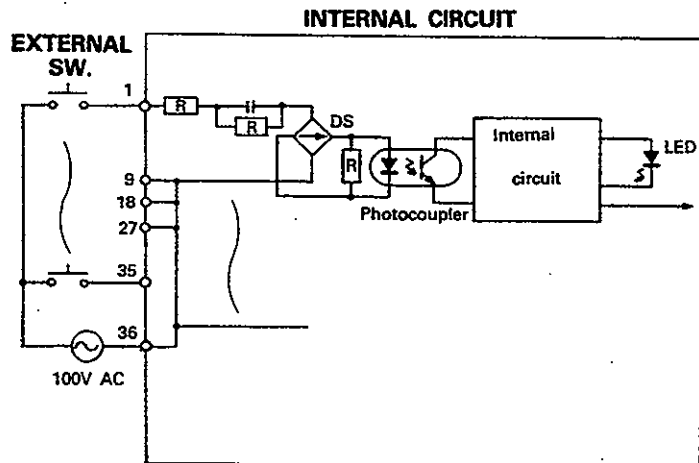
2. INPUT MODULE SPECIFICATIONS

MELSEC-A

2.2 Type AX11 Input Module

AC Input		Type	AX11	Front View mm(inch)
Specifications				
Input points			32 points	
Insulation system			Photocoupler	
Rated input voltage			100–120V AC 50/60Hz	
Rated input current			10mA (100V AC 60Hz)	
Operating voltage range			85 to 132V AC (50/60Hz ± 5%)	
Max. simultaneously ON			60% (20 points)	
Inrush current			Max. 300mA, within 0.3ms (132V AC)	
ON voltage/ON current			80V AC or higher/6mA or higher	
OFF voltage/OFF current			40V AC or lower/4mA or lower	
Input impedance			Approx. 10kΩ (60Hz), approx. 12kΩ (50Hz)	
Response time	OFF → ON		15ms or less	
	ON → OFF		25ms or less	
Internal current consumption (5V DC)			110mA (TYP. all points ON)	
Common terminal arrangement			32 points/common (common terminal: TB9, TB18, TB27, TB36)	
Indication			1 LED per point	
Connection method			38-point removable terminal block (M3 × 6mm metric screws)	
Applicable wire size			0.75 to 2mm ² (18 to 14 AWG) (tightening torque: 7kg·cm (0.505lb·ft))	
Applicable solderless terminal			1.25-3, 1.25-YS3A, 2-S3, 2-YS3A, V1.25-3, V1.25-YS3A, V2-S3, V2-YS3A	
			Weight	0.49kg (1.078lbs)

Terminal No.	Signal No.	Terminal No.	Signal No.
TB1	X00	TB21	X12
TB2	X01	TB22	X13
TB3	X02	TB23	X14
TB4	X03	TB24	X15
TB5	X04	TB25	X16
TB6	X05	TB26	X17
TB7	X06	TB27	Power supply common
TB8	X07	TB28	X18
TB9	Power supply common	TB29	X19
TB10	X08	TB30	X1A
TB11	X09	TB31	X1B
TB12	X0A	TB32	X1C
TB13	X0B	TB33	X1D
TB14	X0C	TB34	X1E
TB15	X0D	TB35	X1F
TB16	X0E	TB36	Power supply common
TB17	X0F	TB37	Not used
TB18	Power supply common	TB38	Not used
TB19	X10		
TB20	X11		



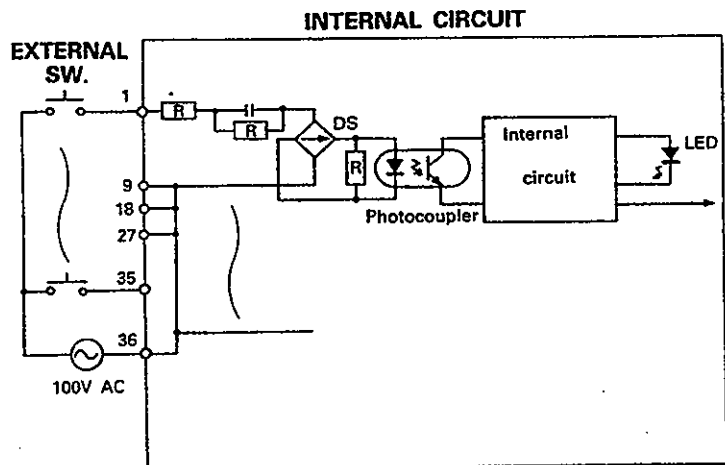
2. INPUT MODULE SPECIFICATIONS

MELSEC-A

2.2.1 Type AX11EU Input Module

AC Input		Type	AX11EU	Front View mm(inch)
Specifications				
Input points			32 points	
Insulation system			Photocoupler	
Rated input voltage			100–120V AC 50/60Hz	
Rated input current			10mA (100V AC 60Hz)	
Operating voltage range			85 to 132V AC (50/60Hz ± 5%)	
Max. simulataneously ON			60% (20 points)	
Inrush current			Max. 300mA, within 0.3ms (132V AC)	
ON voltage/ON current			80V AC or higher/6mA or higher	
OFF voltage/OFF current			40V AC or lower/4mA or lower	
Input impedance			Approx. 10kΩ (60Hz), approx. 12kΩ (50Hz)	
Response time	OFF – ON		15ms or less	
	ON – OFF		25ms or less	
Internal current consumption (5V DC)			150mA (TYP. all points ON)	
Common terminal arrangement			32 points/common (common terminal: TB9, TB18, TB27, TB36)	
Indication			1 LED per point	
Connection method			38-point removable terminal block (M3.5 X 6mm metric screws)	
Applicable wire size			0.75 to 2mm ² (AWG14 to AWG19) (Applicable tightening torque 78.4N·cm (8kgf·cm))	
Applicable solderless terminal			RAV1.25-3.5, RAV2-3.5	
Withstand Voltage			1780V AC rms/3 cycle (2,000m)	
Insulator resistor			10MΩ or more using a insulation resistance tester	
Noise immunity			IEC801-4; 1kV	
			Weight	0.50kg (1.10lbs)

Terminal No.	Signal No.	Terminal No.	Signal No.
TB1	X00	TB21	X12
TB2	X01	TB22	X13
TB3	X02	TB23	X14
TB4	X03	TB24	X15
TB5	X04	TB25	X16
TB6	X05	TB26	X17
TB7	X06	TB27	Power supply common
TB8	X07	TB28	X18
TB9	Power supply common	TB29	X19
TB10	X08	TB30	X1A
TB11	X09	TB31	X1B
TB12	X0A	TB32	X1C
TB13	X0B	TB33	X1D
TB14	X0C	TB34	X1E
TB15	X0D	TB35	X1F
TB16	X0E	TB36	Power supply common
TB17	X0F	TB37	Not used
TB18	Power supply common	TB38	Not used
TB19	X10		
TB20	X11		



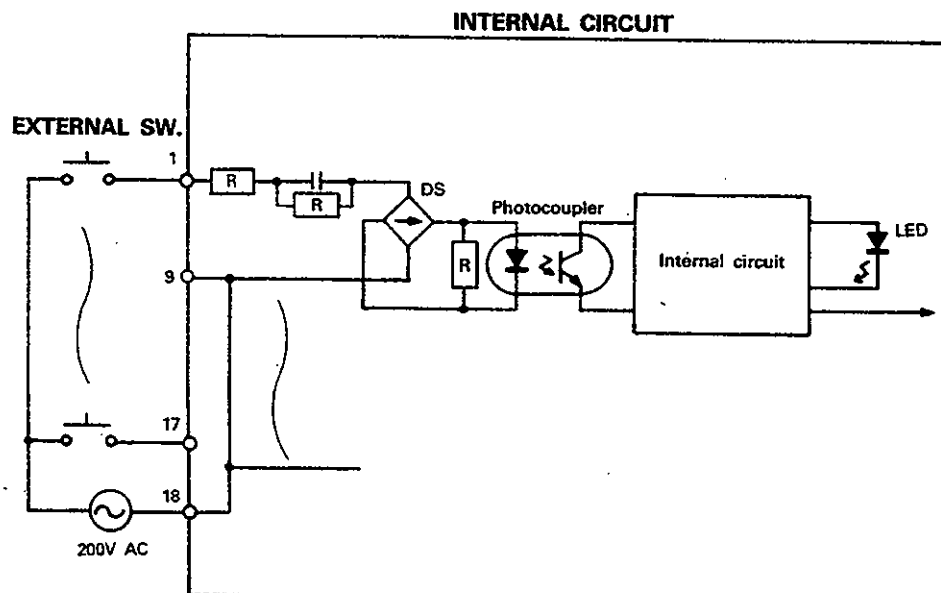
2. INPUT MODULE SPECIFICATIONS

MELSEC-A

2.3 Type AX20 Input Module

AC Input			
Specifications	Type	AX20	Front View mm(inch)
Input points		16 points	
Insulation system		Photocoupler	
Rated input voltage		200—240V AC 50/60Hz	
Rated input current		10mA (200V AC 60Hz)	
Operating voltage range		170 to 264V AC (50/60Hz \pm 5%)	
Max. simultaneously ON		100% (16 points)	
Inrush current		Max. 600mA, within 0.12ms (264V AC)	
ON voltage/ON current		160V AC or higher/5.5mA or higher	
OFF voltage/OFF current		70V AC or lower/3.5mA or lower	
Input impedance		Approx. 22k Ω (60Hz), approx. 24k Ω (50Hz)	
Response time	OFF \rightarrow ON	15ms or less	
	ON \rightarrow OFF	25ms or less	
Internal current consumption (5V DC)		55mA (TYP. all points ON)	
Common terminal arrangement		16 points/common (common terminal: TB9, TB18)	
Indication		1 LED per point	
Connection method		20-point removable terminal block (M3 X 6mm metric screws)	
Applicable wire size		0.75 to 2mm ² (18 to 14 AWG) (tightening torque: 7kg-cm (0.505lb-ft))	
Applicable solderless terminal		1.25-3, 1.25-YS3A, 2-S3, 2-YS3A, V1.25-3, V1.25-YS3A, V2-S3, V2-YS3A	
		Weight	0.38kg (0.84lbs)

Terminal No.	Signal No.
TB1	X00
TB2	X01
TB3	X02
TB4	X03
TB5	X04
TB6	X05
TB7	X06
TB8	X07
TB9	Power supply common
TB10	X08
TB11	X09
TB12	X0A
TB13	X0B
TB14	X0C
TB15	X0D
TB16	X0E
TB17	X0F
TB18	Power supply common
TB19	Not used
TB20	Not used



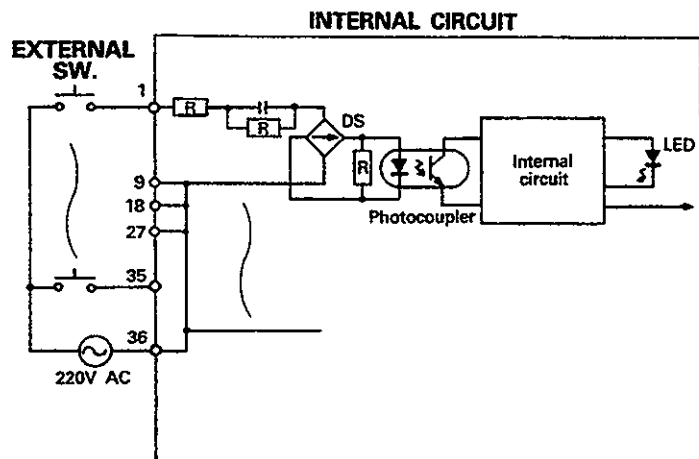
2. INPUT MODULE SPECIFICATIONS

MELSEC-A

2.4 Type AX21 Input Module

AC Input		Type	AX21	Front View mm(inch)
Specifications				
Input points			32 points	
Insulation system			Photocoupler	
Rated input voltage			200–240V AC 50/60Hz	
Rated input current			10mA (220V AC 60Hz)	
Operating voltage range			170 to 264V AC (50/60Hz ± 5%)	
Max. simultaneously ON			60% (20 points)	
Inrush current			Max. 600mA, within 0.12ms (264V AC)	
ON voltage/ON current			160V AC or higher/5.5mA or higher	
OFF voltage/OFF current			70V AC or lower/3.5mA or lower	
Input impedance			Approx. 22kΩ (60Hz), approx. 24kΩ (50Hz)	
Response time	OFF → ON		15ms or less	
	ON → OFF		25ms or less	
Internal current consumption (5V DC)			110mA (TYP. all points ON)	
Common terminal arrangement			32 points/common (common terminal: TB9, TB18, TB27, TB36)	
Indication			1 LED per point	
Connection method			38-point removable terminal block (M3 × 6mm metric screws)	
Applicable wire size			0.75 to 2mm ² (18 to 14 AWG) (tightening torque: 7kg·cm (0.505lb·ft))	
Applicable solderless terminal			1.25-3, 1.25-YS3A, 2-S3, 2-YS3A, V1.25-3, V1.25-YS3A, V2-S3, V2-YS3A	
			Weight	0.5kg (1.1lbs)

Terminal No.	Signal No.	Terminal No.	Signal No.
TB1	X00	TB21	X12
TB2	X01	TB22	X13
TB3	X02	TB23	X14
TB4	X03	TB24	X15
TB5	X04	TB25	X16
TB6	X05	TB26	X17
TB7	X06	TB27	Power supply common
TB8	X07	TB28	X18
TB9	Power supply common	TB29	X19
TB10	X08	TB30	X1A
TB11	X09	TB31	X1B
TB12	X0A	TB32	X1C
TB13	X0B	TB33	X1D
TB14	X0C	TB34	X1E
TB15	X0D	TB35	X1F
TB16	X0E	TB36	Power supply common
TB17	X0F	TB37	Not used
TB18	Power supply common	TB38	Not used
TB19	X10		
TB20	X11		



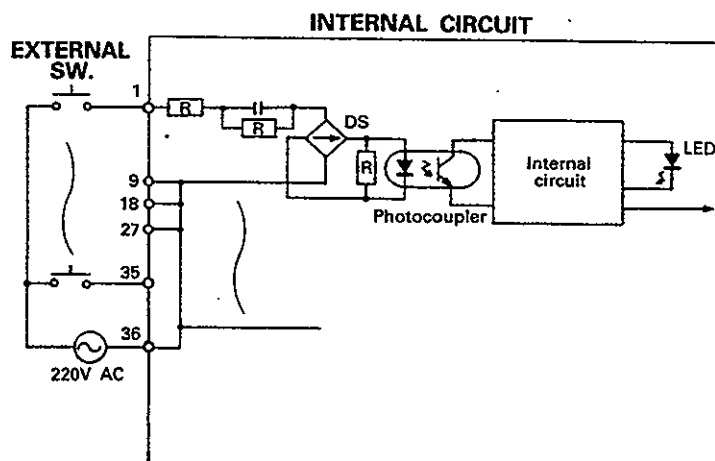
2. INPUT MODULE SPECIFICATIONS

MELSEC-A

2.4.1 Type AX21EU Input Module

AC Input		AX21EU	Front View mm(inch)
Specifications	Type	AX21EU	
Input points		32 points	
Insulation system		Photocoupler	
Rated input voltage		200–240V AC 50/60Hz	
Rated input current		10mA (220V AC 60Hz)	
Operating voltage range		170 to 264V AC (50/60Hz ± 5%)	
Max. simultaneously ON		60% (20 points)	
Inrush current		Max. 600mA, within 0.12ms (264V AC)	
ON voltage/ON current		160V AC or higher/5.5mA or higher	
OFF voltage/OFF current		70V AC or lower/3.5mA or lower	
Input impedance		Approx. 22kΩ (60Hz), approx. 24kΩ (50Hz)	
Response time	OFF – ON	15ms or less	
	ON – OFF	25ms or less	
Internal current consumption (5V DC)		150mA (TYP. all points ON)	
Common terminal arrangement		32 points/common (common terminal: TB9, TB18, TB27, TB36)	
Indication		1 LED per point	
Connection method		38-point removable terminal block (M3.5 X 6mm metric screws)	
Applicable wire size		0.75 to 2mm ² (AWG14 to AWG19) (Applicable tightening torque 78.4N·cm (8kgf·cm))	
Applicable solderless terminal		RAV1.25-3.5, RAV2-3.5	
Withstand Voltage		2830V AC rms/3 cycle (2,000m)	
Insulator resistor		10MΩ or more using a insulation resistance tester	
Noise immunity		IEC801-4; 1kV	
			Weight 0.50kg (1.10lbs)

Terminal No.	Signal No.	Terminal No.	Signal No.
TB1	X00	TB21	X12
TB2	X01	TB22	X13
TB3	X02	TB23	X14
TB4	X03	TB24	X15
TB5	X04	TB25	X16
TB6	X05	TB26	X17
TB7	X06	TB27	Power supply common
TB8	X07	TB28	X18
TB9	Power supply common	TB29	X19
TB10	X08	TB30	X1A
TB11	X09	TB31	X1B
TB12	X0A	TB32	X1C
TB13	X0B	TB33	X1D
TB14	X0C	TB34	X1E
TB15	X0D	TB35	X1F
TB16	X0E	TB36	Power supply common
TB17	X0F	TB37	Not used
TB18	Power supply common	TB38	Not used
TB19	X10		
TB20	X11		



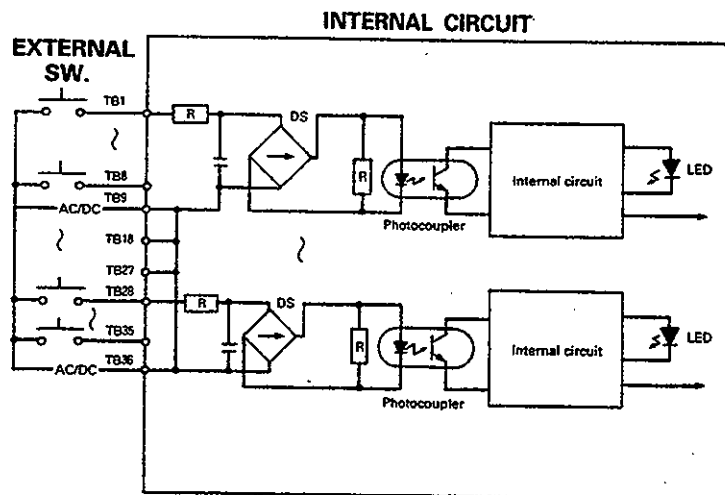
2. INPUT MODULE SPECIFICATIONS

MELSEC-A

2.5 Type AX31C 12/24V DC/AC Input Module

AC Input		Type	AX31C		Front View mm(inch)
Specifications					
Input points			32 points		
Insulation system			Photocoupler		
Rated input voltage			12/24V DC	12/14V AC (50/60Hz)	
Rated input current			4mA (12V AC/DC), 8.5mA (24V AC/DC)		
Operating voltage range			10.2 to 26.4V DC (ripple ratio: within 5%)	10.2 to 26.4V AC (50/60Hz \pm 5%)	
Max. simultaneously ON			100% simultaneously ON (26.4V AC)		
ON voltage/ON current			7V DC/AC or higher/2mA or higher		
OFF voltage/OFF current			2.5V DC/AC or lower/0.7mA or lower		
Input impedance			Approx. 2.7k Ω		
Response time	OFF \rightarrow ON		30ms or less (12/24V DC)	35ms or less (12/24V AC, 60Hz)	
	ON \rightarrow OFF		30ms or less (12/24V DC)	30ms or less (12/24V AC, 60Hz)	
Internal current consumption (5V DC)			110mA (TYP. all points ON)		
Common terminal arrangement			32 points/common (common terminal: TB9, TB18, TB27, TB36)		
Indication			1 LED per point		
Connection method			38-point removable terminal block (M3 \times 6mm metric screws)		
Applicable wire size			0.75 to 2mm ² (18 to 14 AWG) (tightening torque: 7kg-cm (0.505lb-ft))		
Applicable solderless terminal			1.25-3, 1.25-YS3A, 2-S3, 2-YS3A, V1.25-3, V1.25-YS3A, V2-S3, V2-YS3A		
				Weight	0.49kg (1.078lbs)

Terminal No.	Signal No.	Terminal No.	Signal No.
TB1	X00	TB21	X12
TB2	X01	TB22	X13
TB3	X02	TB23	X14
TB4	X03	TB24	X15
TB5	X04	TB25	X16
TB6	X05	TB26	X17
TB7	X06	TB27	Power supply common
TB8	X07	TB28	X18
TB9	Power supply common	TB29	X19
TB10	X08	TB30	X1A
TB11	X09	TB31	X1B
TB12	X0A	TB32	X1C
TB13	X0B	TB33	X1D
TB14	X0C	TB34	X1E
TB15	X0D	TB35	X1F
TB16	X0E	TB36	Power supply common
TB17	X0F	TB37	Not used
TB18	Power supply common	TB38	Not used
TB19	X10		
TB20	X11		



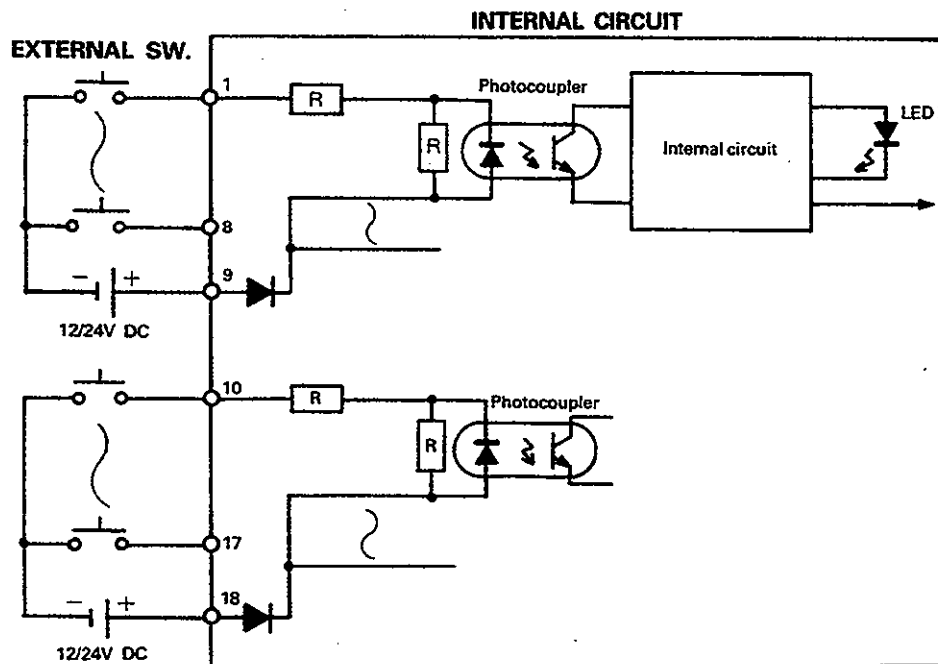
2. INPUT MODULE SPECIFICATIONS



2.6 Type AX40 Input Module (Sink Loading)

DC Input		Type		AX40		Front View mm(inch)	
Specifications							
Input points				16 points			
Insulation system				Photocoupler			
Rated input voltage		12V DC		24V DC			
Rated input current		4mA		10mA			
Operating voltage range				10.2 to 26.4V DC (ripple ratio: within 5%)			
Max. simultaneously ON				100% (8 points/common)			
ON voltage/ON current				9.5V DC or higher/3mA or higher			
OFF voltage/OFF current				6V DC or lower/1.5mA or lower			
Input resistance				Approx. 2.4kΩ			
Response time	OFF → ON			10ms or less			
	ON → OFF			10ms or less			
Internal current consumption (5V DC)				55mA (TYP. all points ON)			
Common terminal arrangement				8 points/common (common terminal: TB9, TB18)			
Indication				1 LED per point			
Connection method				20-point removable terminal block (M3 × 6mm metric screws)			
Applicable wire size				0.75 to 2mm ² (18 to 14 AWG) (tightening torque: 7kg-cm (0.505lb-ft))			
Applicable solderless terminal				1.25-S, 1.25-YS3A, 2-S3, 2-YS3A, V1.25-S, V1.25-YS3A, V2-S3, V2-YS3A			
				Weight	0.36kg (0.8lbs)		

Terminal No.	Signal No.
TB1	X00
TB2	X01
TB3	X02
TB4	X03
TB5	X04
TB6	X05
TB7	X06
TB8	X07
TB9	12/24V DC
TB10	X08
TB11	X09
TB12	X0A
TB13	X0B
TB14	X0C
TB15	X0D
TB16	X0E
TB17	X0F
TB18	12/24V DC
TB19	Not used
TB20	Not used



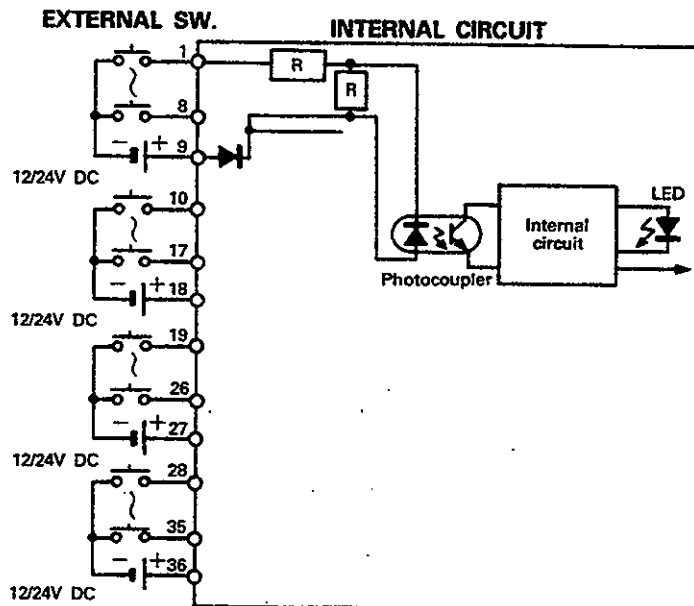
2. INPUT MODULE SPECIFICATIONS

MELSEC-A

2.7 Type AX41 Input Module (Sink Loading)

DC Input		Type	AX41	Front View mm(inch)
Specifications				
Input points			32 points	
Insulation system			Photocoupler	
Rated input voltage		12V DC	24V DC	
Rated input current		4mA	10mA	
Operating voltage range		10.2 to 26.4V DC (ripple ratio: within 5%)		
Max. simultaneously ON		60% (5 points/common)		
ON voltage/ON current		9.5V DC or higher/3mA or higher		
OFF voltage/OFF current		6V DC or lower/1.5mA or lower		
Input resistance		Approx. 2.4kΩ		
Response time	OFF → ON	10ms or less		
	ON → OFF	10ms or less		
Internal current consumption (5V DC)		110mA (TYP. all points ON)		
Common terminal arrangement		8 points/common (common terminal: TB9, TB18, TB27, TB36)		
Indication		1 LED per point		
Connection method		38-point removable terminal block (M3 × 6mm metric screws)		
Applicable wire size		0.75 to 2mm ² (18 to 14 AWG) (tightening torque: 7kg·cm (0.505lb-ft))		
Applicable solderless terminal		1.25-3, 1.25-YS3A, 2-S3, 2-YS3A, V1.25-3, V1.25-YS3A, V2-S3, V2-YS3A		
			Weight	0.44kg (0.97lbs)

Terminal No.	Signal No.	Terminal No.	Signal No.
TB1	X00	TB21	X12
TB2	X01	TB22	X13
TB3	X02	TB23	X14
TB4	X03	TB24	X15
TB5	X04	TB25	X16
TB6	X05	TB26	X17
TB7	X06	TB27	12/24V DC
TB8	X07	TB28	X18
TB9	12/24V DC	TB29	X19
TB10	X08	TB30	X1A
TB11	X09	TB31	X1B
TB12	X0A	TB32	X1C
TB13	X0B	TB33	X1D
TB14	X0C	TB34	X1E
TB15	X0D	TB35	X1F
TB16	X0E	TB36	12/24V DC
TB17	X0F	TB37	Not used
TB18	12/24V DC	TB38	Not used
TB19	X10		
TB20	X11		



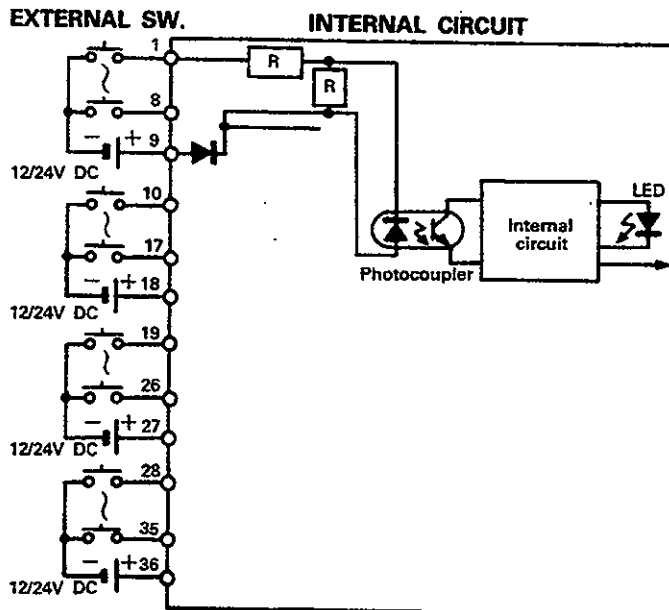
2. INPUT MODULE SPECIFICATIONS

MELSEC-A

2.8 Type AX41-S1 Input Module (Sink Loading)

DC Input		Type		AX41-S1		Front View mm(inch)	
Input points				32 points			
Insulation system				Photocoupler			
Rated input voltage		12V DC		24V DC			
Rated input current		4mA		10mA			
Operating voltage range				10.2 to 26.4V DC (ripple ratio: within 5%)			
Max. simultaneously ON				60% (5 points/common)			
ON voltage/ON current				9.5V DC or higher/3mA or higher			
OFF voltage/OFF current				6V DC or lower/1.5mA or lower			
Input resistance				Approx. 2.4kΩ			
Response time	OFF → ON			0.1ms or less			
	ON → OFF			0.2ms or less			
Internal current consumption (5V DC)				110mA (TYP. all points ON)			
Common terminal arrangement				8 points/common (common terminal: TB9, TB18, TB27, TB36)			
Indication				1 LED per point			
Connection method				38-point removable terminal block (M3 × 6mm metric screws)			
Applicable wire size				0.75 to 2mm ² (18 to 14 AWG) (tightening torque: 7kg·cm (0.505lb-ft))			
Applicable solderless terminal				1.25-3, 1.25-YS3A, 2-S3, 2-YS3A, V1.25-3, V1.25-YS3A, V2-S3, V2-YS3A			
				Weight	0.44kg (0.97lbs)		

Terminal No.	Signal No.	Terminal No.	Signal No.
TB1	X00	TB21	X12
TB2	X01	TB22	X13
TB3	X02	TB23	X14
TB4	X03	TB24	X15
TB5	X04	TB25	X16
TB6	X05	TB26	X17
TB7	X06	TB27	12/24V DC
TB8	X07	TB28	X18
TB9	12/24V DC	TB29	X19
TB10	X08	TB30	X1A
TB11	X09	TB31	X1B
TB12	X0A	TB32	X1C
TB13	X0B	TB33	X1D
TB14	X0C	TB34	X1E
TB15	X0D	TB35	X1F
TB16	X0E	TB36	12/24V DC
TB17	X0F	TB37	Not used
TB18	12/24V DC	TB38	Not used
TB19	X10		
TB20	X11		



2. INPUT MODULE SPECIFICATIONS

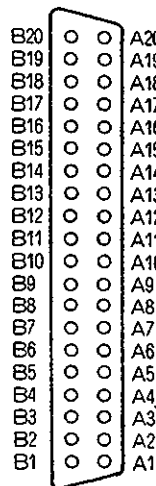
MELSEC-A

2.9 Type AX42 Input Module (Sink Loading)

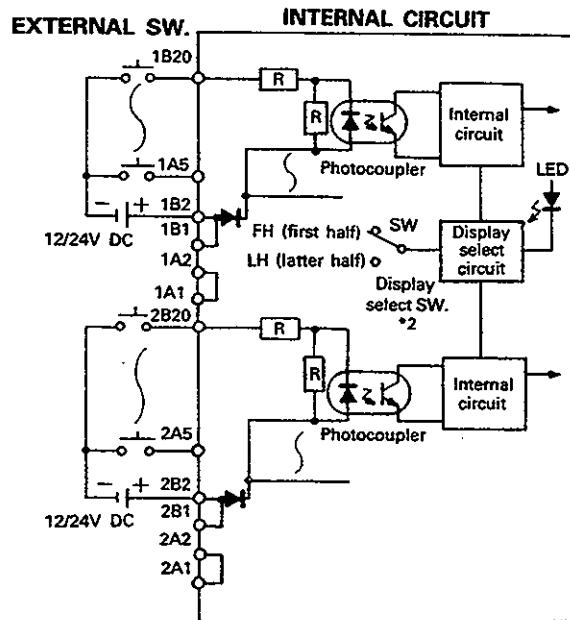
DC Input		Type		AX42		Front View mm(inch)			
Specifications				64 points					
Input points				Photocoupler					
Insulation system				12V DC				24V DC	
Rated input voltage				3mA				7mA	
Rated input current				10.2 to 26.4V DC (ripple ratio: within 5%)					
Operating voltage range				*1 60% (20 points/common)					
Max. simultaneously ON				9.5V DC or higher/3mA or higher					
ON voltage/ON current				6V DC or lower/1.5mA or lower					
OFF voltage/OFF current				Approx. 3.4kΩ					
Input resistance				OFF → ON				10ms or less	
Response time				ON → OFF				10ms or less	
Internal current consumption (5V DC)				120mA (TYP. all points ON)					
Common terminal arrangement				32 points/common (common terminal: 1B1, 1B2, 2B1, 2B2)					
Indication				1 LED per two points (switch selection of block of 32 points)					
Connection method				Two 40-pin connectors (with solder)					
Applicable wire size				0.3mm ² (23 AWG)					
Accessory				Two external wiring connectors		Weight 0.51kg (1.1lbs)			

Terminal No.	Signal No. (FH)	Terminal No.	Signal No. (LH)
1B20	X00	2B20	X20
1B19	X01	2B19	X21
1B18	X02	2B18	X22
1B17	X03	2B17	X23
1B16	X04	2B16	X24
1B15	X05	2B15	X25
1B14	X06	2B14	X26
1B13	X07	2B13	X27
1B12	X08	2B12	X28
1B11	X09	2B11	X29
1B10	X0A	2B10	X2A
1B9	X0B	2B9	X2B
1B8	X0C	2B8	X2C
1B7	X0D	2B7	X2D
1B6	X0E	2B6	X2E
1B5	X0F	2B5	X2F
1B4	Not used	2B4	Not used
1B3	Not used	2B3	Not used
1B2	12/24V DC	2B2	12/24V DC
1B1	12/24V DC	2B1	12/24V DC
1A20	X10	2A20	X30
1A19	X11	2A19	X31
1A18	X12	2A18	X32
1A17	X13	2A17	X33
1A16	X14	2A16	X34
1A15	X15	2A15	X35
1A14	X16	2A14	X36
1A13	X17	2A13	X37
1A12	X18	2A12	X38
1A11	X19	2A11	X39
1A10	X1A	2A10	X3A
1A9	X1B	2A9	X3B
1A8	X1C	2A8	X3C
1A7	X1D	2A7	X3D
1A6	X1E	2A6	X3E
1A5	X1F	2A5	X3F
1A4	Not used	2A4	Not used
1A3	Not used	2A3	Not used
1A2	Not used	2A2	Not used
1A1	Not used	2A1	Not used

Pinouts



Front view



- *1: 40% (13 inputs/common) when the input module is used next to the power supply module.
- *2: The statuses of the first 32 inputs (X00 to X1F) are indicated by the LEDs when the toggle switch is set to FH (for first half). The second 32 inputs (X20 to X3F) are indicated when LH is selected.
- *3: The A and B pin numbers are reverse of those of silk screen printing on the unit. The A numbers of the pin arrangement chart become the B numbers on the module.
- *4: Pin numbers 1, 2, ... indicate the upper connector pins and 2, 3, ... the lower connector pins.
- *5: AX42 is provided with two soldered type connector jacks. When a pressure displacement type connector is necessary, user should prepare it referring to Section 1 (B). (Type: FCN-361J040-AU (connector), FCN-360C040-B (cover))

2. INPUT MODULE SPECIFICATIONS

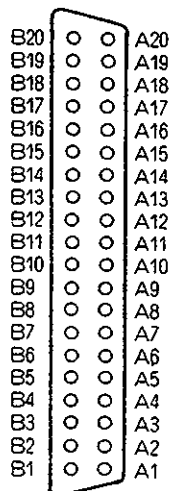


2.10 Type AX42-S1 Input Module (Sink Loading)

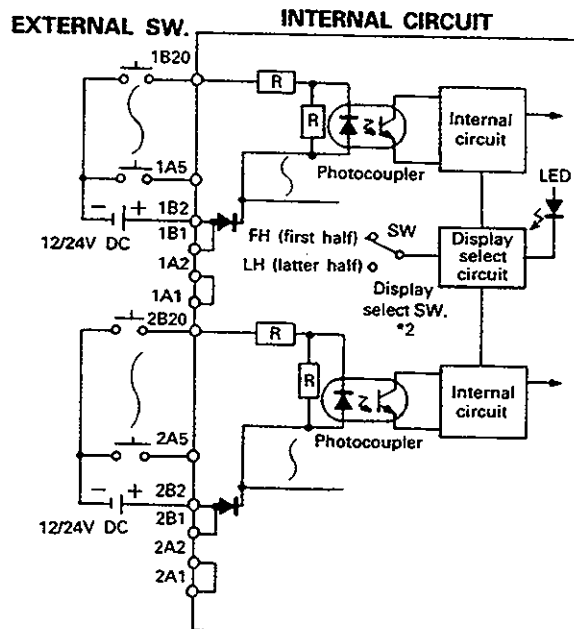
DC Input		Type	AX42-S1	Front View mm(inch)	
Specifications					
Input points			64 points		
Insulation system			Photocoupler		
Rated input voltage			12V DC 24V DC		
Rated input current			3mA 7mA		
Operating voltage range			10.2 to 26.4V DC (ripple ratio: within 5%)		
Max. simultaneously ON			*1 60% (20 points/common)		
ON voltage/ON current			9.5V DC or higher/3mA or higher		
OFF voltage/OFF current			6V DC or lower/1.5mA or lower		
Input resistance			Approx. 3.4kΩ		
Response time	OFF → ON		0.5ms or less		
	ON → OFF		0.5ms or less		
Internal current consumption (5V DC)			120mA (TYP. all points ON)		
Common terminal arrangement			32 points/common (common terminal: 1B1, 1B2, 2B1, 2B2)		
Indication			1 LED per two points (switch selection of block of 32 points)		
Connection method			Two external wiring connectors		
Applicable wire size			0.3mm ² (23 AWG)		
Accessory			Two external wiring connectors	Weight	0.51kg (1.1lbs)

Terminal No.	Signal No. (FH)	Terminal No.	Signal No. (LH)
1B20	X00	2B20	X20
1B19	X01	2B19	X21
1B18	X02	2B18	X22
1B17	X03	2B17	X23
1B16	X04	2B16	X24
1B15	X05	2B15	X25
1B14	X06	2B14	X26
1B13	X07	2B13	X27
1B12	X08	2B12	X28
1B11	X09	2B11	X29
1B10	X0A	2B10	X2A
1B9	X0B	2B9	X2B
1B8	X0C	2B8	X2C
1B7	X0D	2B7	X2D
1B6	X0E	2B6	X2E
1B5	X0F	2B5	X2F
1B4	Not used	2B4	Not used
1B3	Not used	2B3	Not used
1B2	12/24V DC	2B2	12/24V DC
1B1	12/24V DC	2B1	12/24V DC
1A20	X10	2A20	X30
1A19	X11	2A19	X31
1A18	X12	2A18	X32
1A17	X13	2A17	X33
1A16	X14	2A16	X34
1A15	X15	2A15	X35
1A14	X16	2A14	X36
1A13	X17	2A13	X37
1A12	X18	2A12	X38
1A11	X19	2A11	X39
1A10	X1A	2A10	X3A
1A9	X1B	2A9	X3B
1A8	X1C	2A8	X3C
1A7	X1D	2A7	X3D
1A6	X1E	2A6	X3E
1A5	X1F	2A5	X3F
1A4	Not used	2A4	Not used
1A3	Not used	2A3	Not used
1A2	Not used	2A2	Not used
1A1	Not used	2A1	Not used

Pinouts



Front view



*1: 40% (13 inputs/common) when the input module is used next to the power supply module.

*2: The statuses of the first 32 inputs (X00 to X1F) are indicated by the LEDs when the toggle switch is set to FH (for first half). The second 32 inputs (X20 to X3F) are indicated when LH is selected.

*3: Pin numbers 1. indicate the upper connector pins and 2. the lower connector pins.

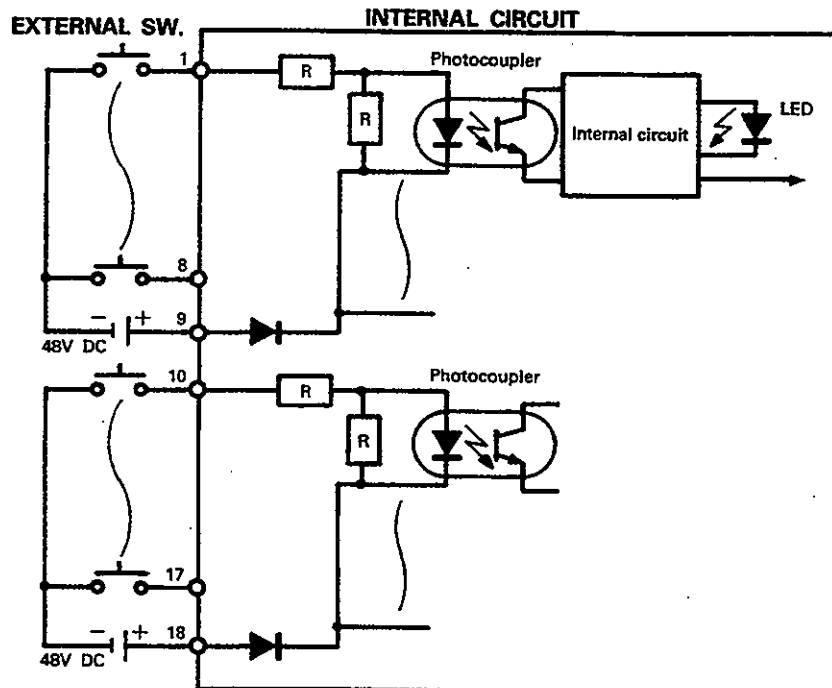
2. INPUT MODULE SPECIFICATIONS

MELSEC-A

2.11 Type AX50 Input Module (Sink Loading)

DC Input		Type	AX50	Front View mm(inch)
Specifications				
Input points			16 points	
Insulation system			Photocoupler	
Rated input voltage			48V DC	
Rated input current			4mA	
Operating voltage range			38.4 to 57.6V DC (ripple ratio: within 5%)	
Max. simultaneously ON			100% (8 points/common)	
ON voltage/ON current			34V DC or higher/3mA or higher	
OFF voltage/OFF current			10V DC or lower/1mA or lower	
Input resistance			Approx. 11kΩ	
Response time	OFF → ON		10ms or less	
	ON → OFF		10ms or less	
Internal current consumption (5V DC)			55mA (TYP. all points ON)	
Common terminal arrangement			8 points/common (common terminal: TB9, TB18)	
Indication			1 LED per point	
Connection method			20-point removable terminal block (M3 × 6mm metric screws)	
Applicable wire size			0.75 to 2mm ² (18 to 14 AWG) (tightening torque: 7kg·cm (0.505lb-ft))	
Applicable solderless terminal			1.25-3, 1.25-YS3A, 2-S3, 2-YS3A, V1.25-3, V1.25-YS3A, V2-S3, V2-YS3A	
			Weight	0.37kg (0.81lbs)

Terminal No.	Signal No.
TB1	X00
TB2	X01
TB3	X02
TB4	X03
TB5	X04
TB6	X05
TB7	X06
TB8	X07
TB9	48V DC
TB10	X08
TB11	X09
TB12	X0A
TB13	X0B
TB14	X0C
TB15	X0D
TB16	X0E
TB17	X0F
TB18	48V DC
TB19	Not used
TB20	Not used



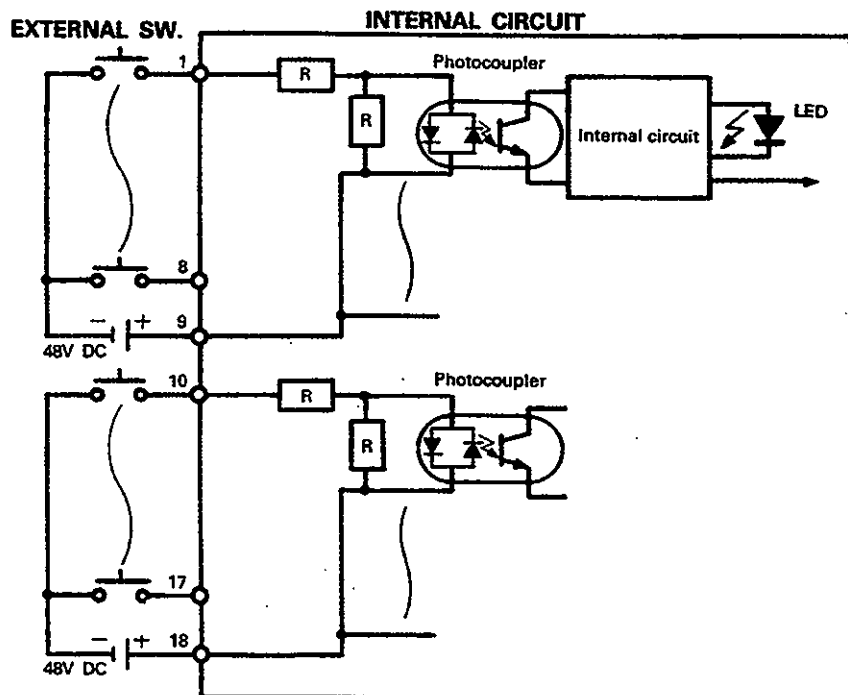
2. INPUT MODULE SPECIFICATIONS



2.12 Type AX50-S1 Input Module (Sink/Source)

DC Input		Type	AX50-S1	Front View mm(inch)
Specifications				
Input points			16 points	
Insulation system			Photocoupler	
Rated input voltage			48V DC	
Rated input current			4mA	
Operating voltage range			38.4 to 57.6V DC (ripple ratio: within 5%)	
Max. simultaneously ON			100% (8 points/common)	
ON voltage/ON current			34V DC or higher/3mA or higher	
OFF voltage/OFF current			10V DC or lower/1mA or lower	
Input resistance			Approx. 11kΩ	
Response time	OFF → ON		10ms or less	
	ON → OFF		10ms or less	
Internal current consumption (5V DC)			55mA (TYP. all points ON)	
Common terminal arrangement			8 points/common (common terminal: TB9, TB18)	
Indication			1 LED per point	
Connection method			20-point removable terminal block (M3 × 6mm metric screws)	
Applicable wire size			0.75 to 2mm ² (18 to 14 AWG) (tightening torque: 7kg·cm (0.505lb·ft))	
Applicable solderless terminal			1.25-3, 1.25-YS3A, 2-S3, 2-YS3A, V1.25-3, V1.25-YS3A, V2-S3, V2-YS3A	
			Weight	0.37kg (0.81lbs)

Terminal No.	Signal No.
TB1	X00
TB2	X01
TB3	X02
TB4	X03
TB5	X04
TB6	X05
TB7	X06
TB8	X07
TB9	COM1
TB10	X08
TB11	X09
TB12	X0A
TB13	X0B
TB14	X0C
TB15	X0D
TB16	X0E
TB17	X0F
TB18	COM2
TB19	Not used
TB20	Not used



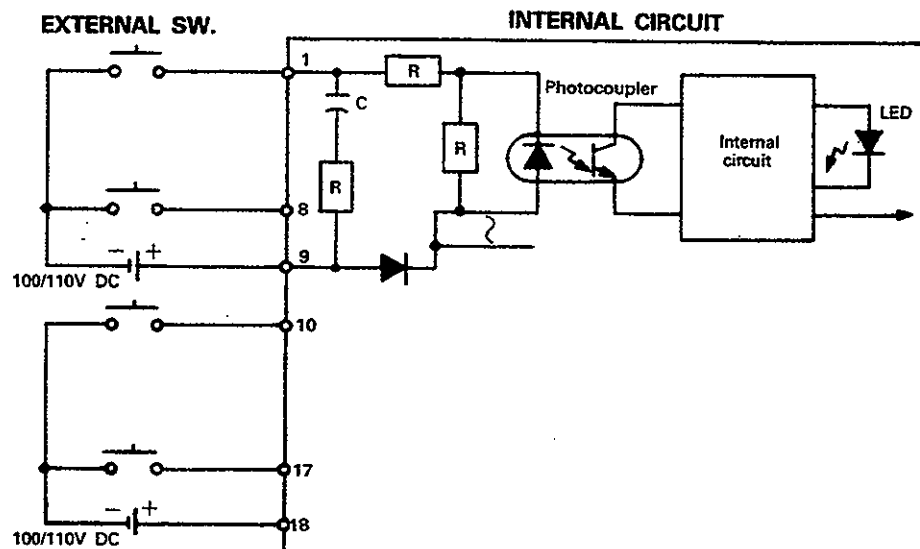
2. INPUT MODULE SPECIFICATIONS

MELSEC-A

2.13 Type AX60 Input Module (Sink Loading)

DC Input		Type	AX60	Front View mm(inch)
Specifications				
Input points			16 points	
Insulation system			Photocoupler	
Rated input voltage			100/110/125V DC	
Rated input current			2mA	
Max. inrush current			65mA (121V DC), 75mA (140V DC)	
Operating voltage range			85 to 140V DC (ripple ratio: within 5%)	
Max. simultaneously ON			100% (8 points/common)	
ON voltage/ON current			80V DC or higher/1.4mA or higher	
OFF voltage/OFF current			20V DC or lower/0.5mA or lower	
Input resistance			Approx. 50kΩ	
Response time	OFF → ON		10ms or less	
	ON → OFF		20ms or less	
Internal current consumption (5V DC)			55mA (TYP. all points ON)	
Common terminal arrangement			8 points/common	
Indication			1 LED per point	
Connection method			20-point removable terminal block (M3 × 6mm metric screws)	
Applicable wire size			0.75 to 2mm ² (18 to 14 AWG) (tightening torque: 7kg·cm (0.505lb-ft))	
Applicable solderless terminal			1.25-3, 1.25-YS3A, 2-S3, 2-YS3A, V1.25-3, V1.25-YS3A, V2-S3, V2-YS3A	
			Weight	0.4kg (0.88lbs)

Terminal No.	Signal No.
TB1	X00
TB2	X01
TB3	X02
TB4	X03
TB5	X04
TB6	X05
TB7	X06
TB8	X07
TB9	100/110V DC
TB10	X08
TB11	X09
TB12	X0A
TB13	X0B
TB14	X0C
TB15	X0D
TB16	X0E
TB17	X0F
TB18	100/110V DC
TB19	Not used
TB20	Not used



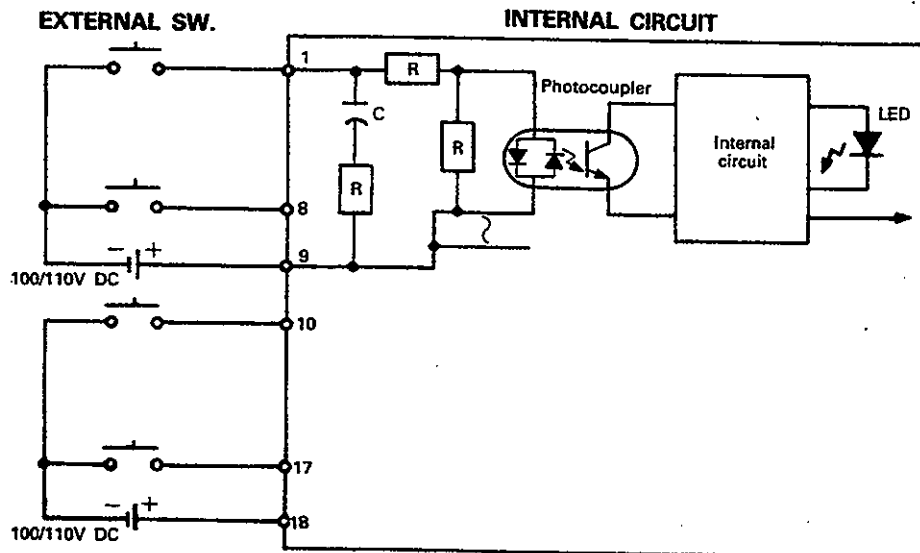
2. INPUT MODULE SPECIFICATIONS

MELSEC-A

2.14 Type AX60-S1 Input Module (Sink/Source Loading)

DC Input		Type	AX60-S1	Front View mm(inch)
Specifications				
Input points			16 points	
Insulation system			Photocoupler	
Rated input voltage			100/110/125V DC	
Rated input current			2mA	
Max. inrush current			65mA (121V DC), 75mA (140V DC)	
Operating voltage range			85 to 140V DC (ripple ratio: within 5%)	
Max. simultaneously ON			100% (8 points/common)	
ON voltage/ON current			80V DC or higher/1.4mA or higher	
OFF voltage/OFF current			20V DC or lower/0.5mA or lower	
Input resistance			Approx. 50kΩ	
Response time	OFF → ON		10ms or less	
	ON → OFF		20ms or less	
Internal current consumption (5V DC)			55mA (TYP. all points ON)	
Common terminal arrangement			8 points/common	
Indication			1 LED per point	
Connection method			20-point removable terminal block (M3 × 6mm metric screws)	
Applicable wire size			0.75 to 2mm ² (18 to 14 AWG) (tightening torque: 7kg·cm (0.505lb-ft))	
Applicable solderless terminal			1.25-3, 1.25-YS3A, 2-S3, 2-YS3A, V1.25-3, V1.25-YS3A, V2-S3, V2-YS3A	
			Weight	0.4kg (0.88lbs)

Terminal No.	Signal No.
TB1	X00
TB2	X01
TB3	X02
TB4	X03
TB5	X04
TB6	X05
TB7	X06
TB8	X07
TB9	COM1
TB10	X08
TB11	X09
TB12	X0A
TB13	X0B
TB14	X0C
TB15	X0D
TB16	X0E
TB17	X0F
TB18	COM2
TB19	Not used
TB20	Not used



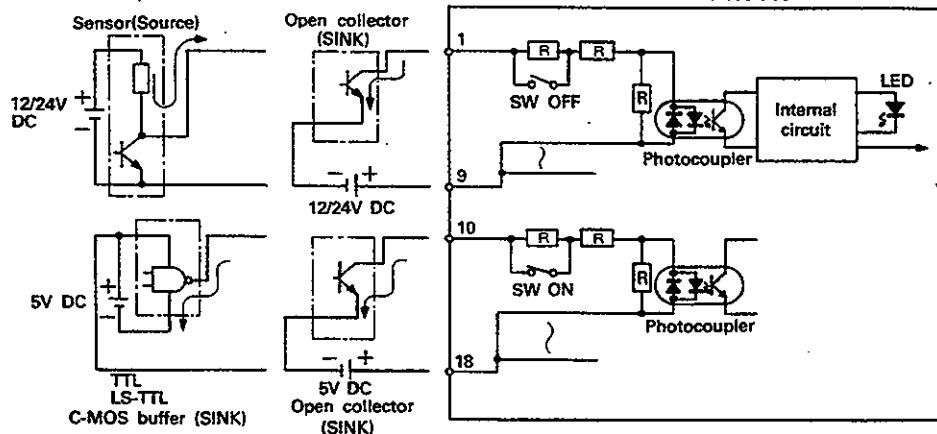
2. INPUT MODULE SPECIFICATIONS

MELSEC-A

2.15 Type AX70 Input Module (Sink/Source)

Input for Sensor		Type			AX70			Front View mm(inch)	
Specifications									
Input points		16 points							
Insulation system		Photocoupler							
Input voltage		5V DC	12V DC	24V DC					
Input current	TYP.	3.5mA	2mA	4.5mA					
	MAX.	5.5mA	3mA	6mA					
Operating voltage range		4.5 to 5.5V DC (SW. ON), 10.2 to 26.4V DC (SW. OFF)							
Max. simultaneously ON		100% (8 points/common)							
ON voltage/ON current		3.5V DC or higher/1.0mA or higher (Switch → ON), 5V DC or higher/1.0mA or higher (Switch → OFF).							
OFF voltage/OFF current		1.1V DC or lower/0.2mA or lower (Switch → ON), 2V DC or lower/0.2mA or lower (Switch → OFF).							
Input impedance		Approx. 1.4kΩ (Switch → ON), approx. 5.5kΩ (Switch → OFF).							
Response time	OFF → ON	1.5ms or less							
	ON → OFF	3ms or less							
Internal current consumption (5V DC)		55mA (TYP. all points ON)							
Common terminal arrangement		8 points/common (common terminal: TB9, TB18)							
Indication		1 LED per point							
Connection method		20-points removable terminal block (M3 × 6mm metric screws)							
Applicable wire size		0.75 to 2mm ² (18 to 14 AWG) (tightening torque: 7kg·cm (0.505lb·ft))							
Applicable solderless terminal		1.25-3, 1.25-YS3A, 2-S3, 2-YS3A, V1.25-3, V1.25-YS3A, V2-S3, V2-YS3A							
Weight							0.36kg (0.8lbs)		

Terminal No.	Signal No.
TB1	X00
TB2	X01
TB3	X02
TB4	X03
TB5	X04
TB6	X05
TB7	X06
TB8	X07
TB9	Power supply common 1
TB10	X08
TB11	X09
TB12	X0A
TB13	X0B
TB14	X0C
TB15	X0D
TB16	X0E
TB17	X0F
TB18	Power supply common 2
TB19	Not used
TB20	Not used



*1: Can be used with any combination by common of 8 points.

*2: When using a CMOS source loading, only 5 VDC-rated CMOS (above) is available. (Example: HCMOS)

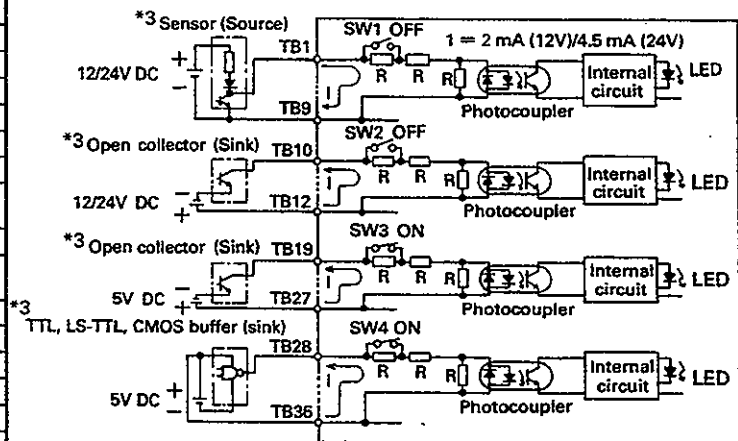
2. INPUT MODULE SPECIFICATIONS



2.16 Type AX71 Input Module (Sink/Source)

Input for Sensor		Type			AX71			Front View mm(inch)	
Specifications									
Input points		32 points							
Insulation system		Photocoupler							
Input voltage		5V DC	12V DC	24V DC					
Input current	TYP.	3.5mA	2mA	4.5mA					
	MAX.	5.5mA	3mA	6mA					
Operating voltage range		4.5 to 5.5V DC (SW. ON), 10.2 to 26.4V DC (SW. OFF)							
Max. simultaneously ON		100% (8 points/common)							
ON voltage/ON current		3.5V DC or higher/1.0mA or higher (Switch → ON), 5V DC or higher/1.0mA or higher (Switch → OFF).							
OFF voltage/OFF current		1.1V DC or lower/0.2mA or lower (Switch → ON), 2V DC or lower/0.2mA or lower (Switch → OFF).							
Input impedance		Approx. 1.4kΩ (Switch → ON), approx. 5.5kΩ (Switch → OFF).							
Response time	OFF → ON	1.5ms or less							
	ON → OFF	3ms or less							
Internal current consumption (5V DC)		110mA (TYP. all points ON)							
Common terminal arrangement		8 points/common (common terminal: TB9, TB18, TB27, TB36)							
Indication		1 LED per point							
Connection method		38-points removable terminal block (M3 × 6mm metric screws)							
Applicable wire size		0.75 to 2mm ² (18 to 14 AWG) (tightening torque: 7kg·cm (0.505lb·ft))							
Applicable solderless terminal		1.25-3, 1.25-YS3A, 2-S3, 2-YS3A, V1.25-3, V1.25-YS3A, V2-S3, V2-YS3A			Weight	0.45kg (0.99lbs)			

Terminal No.	Signal No.	Terminal No.	Signal No.
TB1	X00	TB21	X12
TB2	X01	TB22	X13
TB3	X02	TB23	X14
TB4	X03	TB24	X15
TB5	X04	TB25	X16
TB6	X05	TB26	X17
TB7	X06	TB27	Power supply common 3
TB8	X07	TB28	X18
TB9	Power supply common 1	TB29	X19
TB10	X08	TB30	X1A
TB11	X09	TB31	X1B
TB12	X0A	TB32	X1C
TB13	X0B	TB33	X1D
TB14	X0C	TB34	X1E
TB15	X0D	TB35	X1F
TB16	X0E	TB36	Power supply common 4
TB17	X0F	TB37	Not used
TB18	Power supply common 2	TB38	Not used
TB19	X10		
TB20	X11		



*1: Each batch of 8 input points (as divided by commons) is independent

*2: The AX71 is a high-speed response input module. Shielded wires should therefore be used and must be kept away from the other output wires.

*3: Can be used with any combination by common of 8 points.

*4: When using a CMOS source loading, only 5 VDC-rated CMOS (above) is available. (Example: HCMOS)

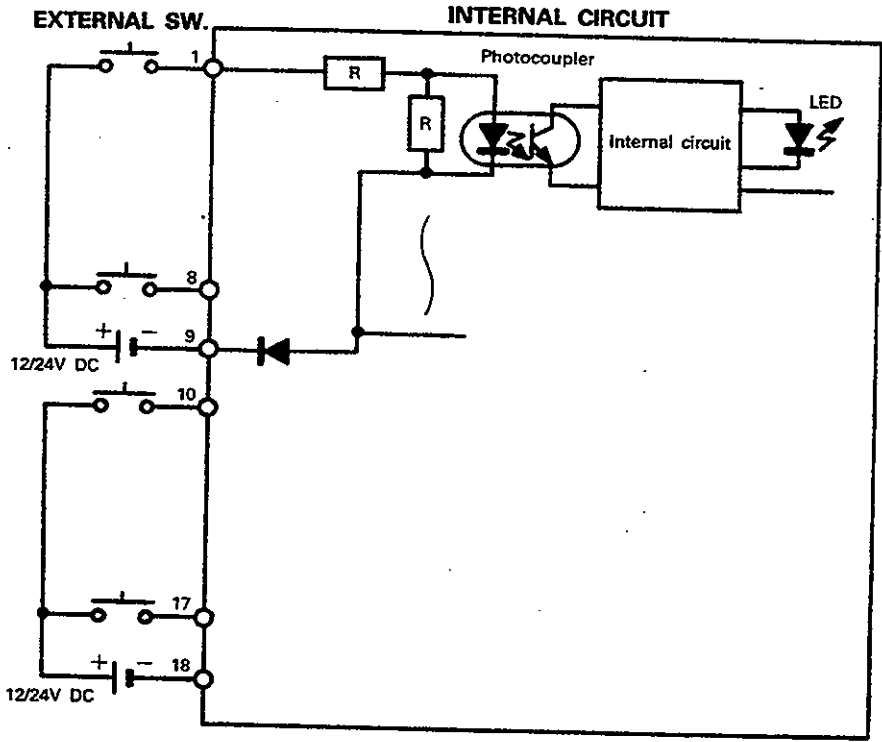
2. INPUT MODULE SPECIFICATIONS

MELSEC-A

2.17 Type AX80 Input Module (Source Loading)

DC Source Input		Type		AX80		Front View mm(inch)	
Specifications							
Input points		16 points					
Insulation system		Photocoupler					
Rated input voltage		12V DC		24V DC			
Rated input current		4mA		10mA			
Operating voltage range		10.2 to 26.4V DC (ripple ratio: within 5%)					
Max. simultaneously ON		100% (8 points/common)					
ON voltage/ON current		9.5V DC or higher/3mA or higher					
OFF voltage/OFF current		6V DC or lower/1.5mA or lower					
Input resistance		Approx. 2.4kΩ					
Response time	OFF → ON	10ms or less					
	ON → OFF	10ms or less					
Internal current consumption (5V DC)		55mA (TYP. all points ON)					
Common terminal arrangement		8 points/common (common terminal: TB9, TB18)					
Indication		1 LED per point					
Connection method		20-point removable terminal block (M3 × 6mm metric screws)					
Applicable wire size		0.75 to 2mm ² (18 to 14 AWG) (tightening torque: 7kg·cm (0.505lb·ft))					
Applicable solderless terminal		1.25-3, 1.25-YS3A, 2-S3, 2-YS3A, V1.25-3, V1.25-YS3A, V2-S3, V2-YS3A					
						Weight	0.36kg (0.8lbs)

Terminal No.	Signal No.
TB1	X00
TB2	X01
TB3	X02
TB4	X03
TB5	X04
TB6	X05
TB7	X06
TB8	X07
TB9	0V
TB10	X08
TB11	X09
TB12	X0A
TB13	X0B
TB14	X0C
TB15	X0D
TB16	X0E
TB17	X0F
TB18	0V
TB19	Not used
TB20	Not used



2. INPUT MODULE SPECIFICATIONS

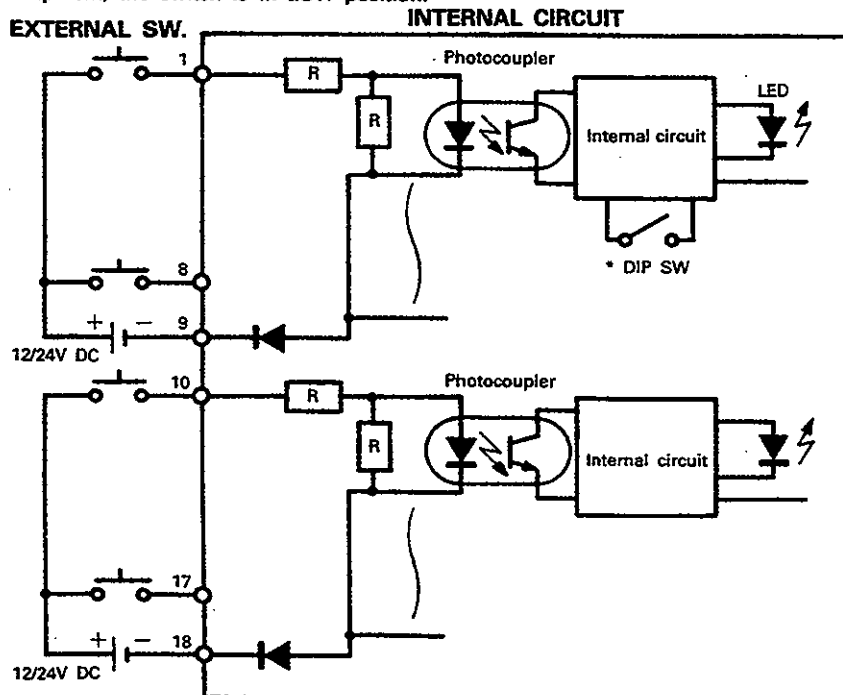
MELSEC-A

2.18 Type AX80E Input Module (Source Loading)

DC Input (Source)		Type		AX80E		Front View mm(inch)	
Specifications							
Input points		16 points					
Insulation system		Photocoupler					
Rated input voltage		12V DC		24V DC			
Rated input current		4mA		10mA			
Operating voltage range		10.2 to 26.4V DC (ripple ratio: within 5%)					
Max. simultaneously ON		100% (8 points/common)					
ON voltage/ON current		9.5V DC or higher/2.6mA or higher					
OFF voltage/OFF current		6V DC or lower/1.0mA or lower					
Inrush current		Approx. 2.4kΩ					
Response time	OFF → ON	5.5ms (TYP) or less					
	ON → OFF	6.0ms (TYP) or less					
Response time high speed mode upper 8 points only	OFF → ON	0.5ms or less					
	ON → OFF	1.0ms or less					
Internal current consumption (5V DC)		55mA (TYP. all points ON)					
Common terminal arrangement		8 points/common (common terminal: TB9, TB18)					
Indication		1 LED per point					
Connection method		20-point removable terminal block (M3 × 6mm metric screws)					
Applicable wire size		0.75 to 2mm ² (18 to 14 AWG) (tightening torque: 7kg·cm (0.505lb·ft))					
Applicable solderless terminal		1.25-S, 1.25-YS3A, 2-S3, 2-YS3A, V1.25-S, V1.25-YS3A, V2-S3, V2-YS3A					
		Weight		0.36kg (0.79lbs)			

* For the first 8 points, high or low speed can be selected using DIP switches. At shipment, the switch is in LOW position.

Terminal No.	Input Signal No.
TB1	X00
TB2	X01
TB3	X02
TB4	X03
TB5	X04
TB6	X05
TB7	X06
TB8	X07
TB9	0V
TB10	X08
TB11	X09
TB12	X0A
TB13	X0B
TB14	X0C
TB15	X0D
TB16	X0E
TB17	X0F
TB18	0V
TB19	Not used
TB20	Not used



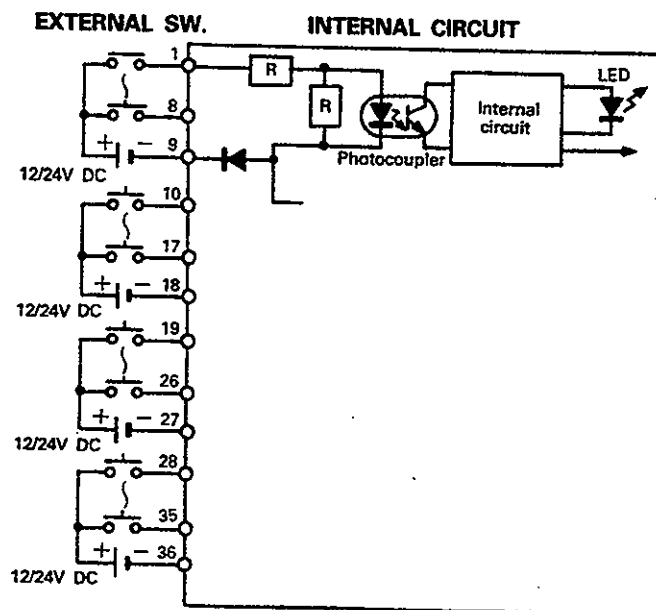
2. INPUT MODULE SPECIFICATIONS

MELSEC-A

2.19 Type AX81 Input Module (Source Loading)

DC Source Input		Type		AX81		Front View mm(inch)	
Specifications				AX81			
Input points				32 points			
Insulation system				Photocoupler			
Rated input voltage		12V DC		24V DC			
Rated input current		4mA		10mA			
Operating voltage range				10.2 to 26.4V DC (ripple ratio: within 5%)			
Max. simultaneously ON				60% (5 points/common)			
ON voltage/ON current				9.5V DC or higher/3mA or higher			
OFF voltage/OFF current				6V DC or lower/1.5mA or lower			
Input resistance				Approx. 2.4kΩ			
Response time		OFF → ON		10ms or less			
		ON → OFF		10ms or less			
Internal current consumption (5V DC)				110mA (TYP. all points ON)			
Common terminal arrangement				8 points/common (common terminal: TB9, TB18, TB27, TB36)			
Indication				1 LED per point			
Connection method				38-points removable terminal block (M3 × 6mm metric screws)			
Applicable wire size				0.75 to 2mm ² (18 to 14 AWG) (tightening torque: 7kg·cm (0.505lb-ft))			
Applicable solderless terminal				1.25-3, 1.25-YS3A, 2-S3, 2-YS3A, V1.25-3, V1.25-YS3A, V2-S3, V2-YS3A			
				Weight		0.45kg (1lbs)	

Terminal No.	Signal No.	Terminal No.	Signal No.
TB1	X00	TB21	X12
TB2	X01	TB22	X13
TB3	X02	TB23	X14
TB4	X03	TB24	X15
TB5	X04	TB25	X16
TB6	X05	TB26	X17
TB7	X06	TB27	0V
TB8	X07	TB28	X18
TB9	0V	TB29	X19
TB10	X08	TB30	X1A
TB11	X09	TB31	X1B
TB12	X0A	TB32	X1C
TB13	X0B	TB33	X1D
TB14	X0C	TB34	X1E
TB15	X0D	TB35	X1F
TB16	X0E	TB36	0V
TB17	X0F	TB37	Not used
TB18	0V	TB38	Not used
TB19	X10		
TB20	X11		



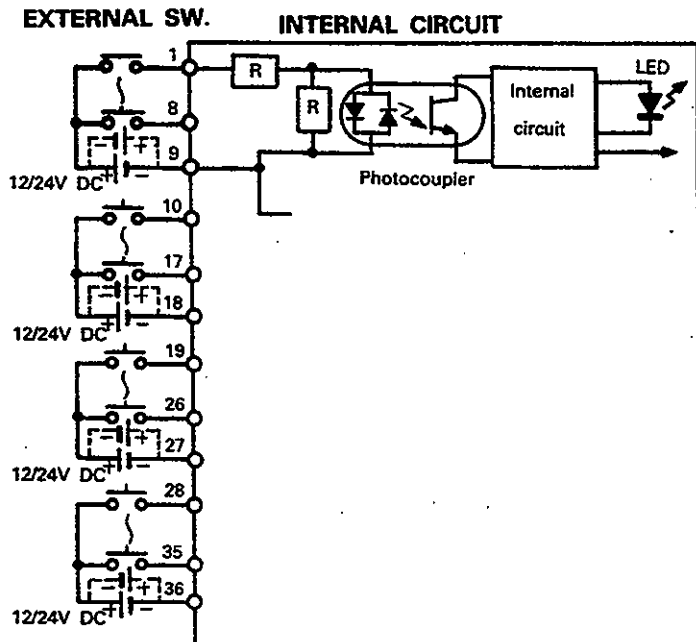
2. INPUT MODULE SPECIFICATIONS



2.20 Type AX81-S1 Input Module (Sink/Source Loading)

DC Source Input		Type		AX81-S1		Front View mm(inch)	
Specifications							
Input points		32 points					
Insulation system		Photocoupler					
Rated input voltage		12V DC		24V DC			
Rated input current		2.5mA		5mA			
Operating voltage range		10.2 to 26.4V DC (ripple ratio: within 5%)					
Max. simultaneously ON		32 points					
ON voltage/ON current		5.6V DC or higher/1.1mA or higher					
OFF voltage/OFF current		2.4V DC or lower/0.39mA or lower					
Input resistance		Approx. 4.8kΩ					
Response time	OFF → ON	10ms or less					
	ON → OFF	10ms or less					
Internal current consumption (5V DC)		105mA (TYP. all points ON)					
Common terminal arrangement		8 points/common (common terminal: TB9, TB18, TB27, TB36)					
Indication		1 LED per point					
Connection method		38-points removable terminal block (M3 X 6mm metric screws)					
Applicable wire size		0.75 to 2mm ² (18 to 14 AWG) (tightening torque: 7kg-cm (0.505lb-ft))					
Applicable solderless terminal		1.25-3, 1.25-YS3A, 2-S3, 2-YS3A, V1.25-3, V1.25-YS3A, V2-S3, V2-YS3A					
						Weight	0.45kg (1lbs)

Terminal No.	Signal No.	Terminal No.	Signal No.
TB1	X00	TB21	X12
TB2	X01	TB22	X13
TB3	X02	TB23	X14
TB4	X03	TB24	X15
TB5	X04	TB25	X16
TB6	X05	TB26	X17
TB7	X06	TB27	P/S common
TB8	X07	TB28	X18
TB9	P/S common	TB29	X19
TB10	X08	TB30	X1A
TB11	X09	TB31	X1B
TB12	X0A	TB32	X1C
TB13	X0B	TB33	X1D
TB14	X0C	TB34	X1E
TB15	X0D	TB35	X1F
TB16	X0E	TB36	P/S common
TB17	X0F	TB37	Not used
TB18	P/S common	TB38	Not used
TB19	X10		
TB20	X11		



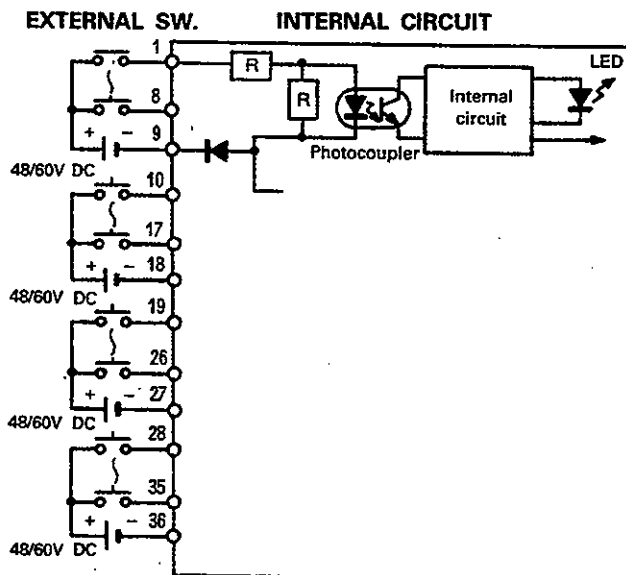
2. INPUT MODULE SPECIFICATIONS

MELSEC-A

2.21 Type AX81-S2 Input Module (Source Loading)

DC Source Input		Type		AX81-S2		Front View mm(inch)	
Specifications		Type		AX81-S2		Front View mm(inch)	
Input points				32 points			
Insulation system				Photocoupler			
Rated input voltage		48V DC		60V DC			
Rated input current		3mA		4mA			
Operating voltage range				41 to 66V DC (ripple ratio: within 5%)			
Max. simultaneously ON				60% (5 points/common) simultaneous ON			
ON voltage/ON current				31V DC or higher/1.7mA or higher			
OFF voltage/OFF current				10V DC or lower/0.5mA or lower			
Input impedance				Approx. 18kΩ			
Response time		OFF → ON		20ms or less (60V DC)			
		ON → OFF		20ms or less (60V DC)			
Internal current consumption (5V DC)				110mA (TYP. all points ON)			
Common terminal arrangement				8 points/common (common terminal: TB9, TB18, TB27, TB36)			
Indication				1 LED per point			
Connection method				38-points removable terminal block (M3 X 6mm metric screws)			
Applicable wire size				0.75 to 2mm ² (18 to 14 AWG) (tightening torque: 7kg·cm (0.505lb·ft))			
Applicable solderless terminal				1.25-3, 1.25-YS3A, 2-S3, 2-YS3A, V1.25-3, V1.25-YS3A, V2-S3, V2-YS3A			
				Weight		0.45kg (1lbs)	

Terminal No.	Signal No.	Terminal No.	Signal No.
TB1	X00	TB21	X12
TB2	X01	TB22	X13
TB3	X02	TB23	X14
TB4	X03	TB24	X15
TB5	X04	TB25	X16
TB6	X05	TB26	X17
TB7	X06	TB27	0V
TB8	X07	TB28	X18
TB9	0V	TB29	X19
TB10	X08	TB30	X1A
TB11	X09	TB31	X1B
TB12	X0A	TB32	X1C
TB13	X0B	TB33	X1D
TB14	X0C	TB34	X1E
TB15	X0D	TB35	X1F
TB16	X0E	TB36	0V
TB17	X0F	TB37	Not used
TB18	0V	TB38	Not used
TB19	X10		
TB20	X11		



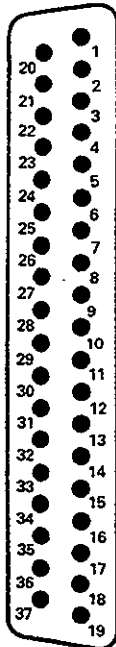
2. INPUT MODULE SPECIFICATIONS

MELSEC-A

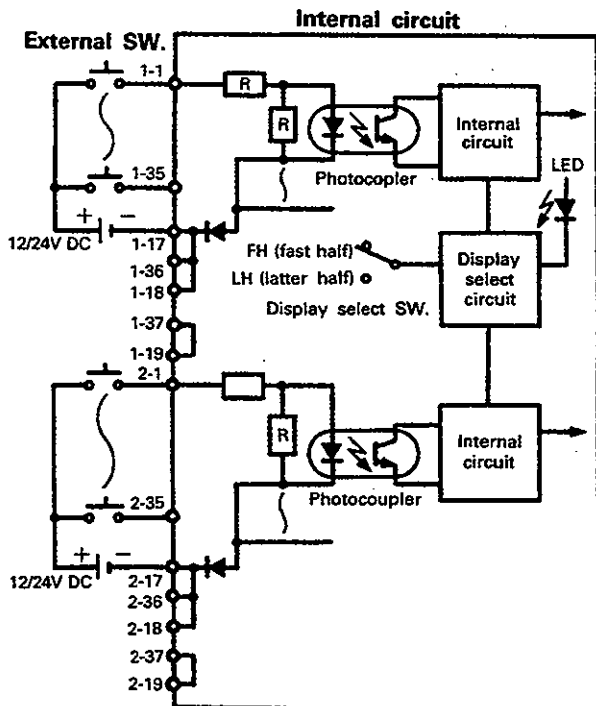
2.22 Type AX82 Input Module (Source Loading)

DC Input (Source)		Type		AX82		Front View mm(inch)	
Specifications							
Input points				64 points			
Insulation system				Photocoupler			
Rated input voltage				12V DC	24V DC		
Rated input current				3mA	7mA		
Operating voltage range				10.2 to 26.4V DC (ripple ratio: within 5%)			
Max. simultaneously ON				40 points (26 points if module is located next to power supply)			
ON voltage/ON current				9.5V DC or higher/2.6mA or higher			
OFF voltage/OFF current				6V DC or lower/1.0mA or lower			
Inrush current				Approx. 3.4kΩ			
Response time	OFF → ON			10ms or less			
	ON → OFF			10ms or less			
Internal current consumption (5V DC)				120mA (TYP. all points ON)			
Common terminal arrangement				32 points/common (common terminal: 1-17, 1-18, 1-36, 2-17, 2-18, 2-36)			
Indication				1 LED per two points (switch selection of block of 32 points)			
Connection method				Two 37-pin D sub-connectors (soldered)			
Applicable wire size				0.3mm ² (23 AWG)			
Accessory				Two external wiring D sub-connectors		Weight	0.60kg (1.32lbs)

Terminal No.	Input Signal No.	Terminal No.	Input Signal No.
1-1	X00	2-1	X20
1-20	X01	2-20	X21
1-2	X02	2-2	X22
1-21	X03	2-21	X23
1-3	X04	2-3	X24
1-22	X05	2-22	X25
1-4	X06	2-4	X26
1-23	X07	2-23	X27
1-5	X08	2-5	X28
1-24	X09	2-24	X29
1-6	X0A	2-6	X2A
1-25	X0B	2-25	X2B
1-7	X0C	2-7	X2C
1-26	X0D	2-26	X2D
1-8	X0E	2-8	X2E
1-27	X0F	2-27	X2F
1-17	0V	2-17	0V
1-36	0V	2-36	0V
1-18	0V	2-18	0V
1-9	X10	2-9	X30
1-28	X11	2-28	X31
1-10	X12	2-10	X32
1-29	X13	2-29	X33
1-11	X14	2-11	X34
1-30	X15	2-30	X35
1-12	X16	2-12	X36
1-31	X17	2-31	X37
1-13	X18	2-13	X38
1-32	X19	2-32	X39
1-14	X1A	2-14	X3A
1-33	X1B	2-33	X3B
1-15	X1C	2-15	X3C
1-34	X1D	2-34	X3D
1-16	X1E	2-16	X3E
1-35	X1F	2-35	X3F
1-37	Not used	2-37	Not used
1-19	Not used	2-19	Not used



Front view



- *1: The statuses of the first 32 inputs (X00 to X1F) are indicated by the LEDs when the toggle switch is set to FH (for first half). The second 32 inputs (X20 to X3F) are indicated when LH is selected.
- *2: Pin numbers 1, 2, 3 indicate the upper connector pins and 2, 3, 4 the lower connector pins.
- *3: AX82 is provided with two soldered type connector jacks.
(Type: DC-37S-N (connector), DC-C8-J13-B1-1 (junction shell) cable protection tube)

3. OUTPUT MODULE SPECIFICATIONS



3. OUTPUT MODULE SPECIFICATIONS

Quick Reference Summary

type	Output Device	Number of output points	Sink	Source	Fuse	Noise suppression/ Snubber	
AY10	Relay	16	—	—	—	—	
AY10A	Relay	16	Isolated outputs				
AY11	Relay	16	Plug-in relays				●
AY11A	Relay	16	Isolated outputs				●
AY11AEU	Relay	16	Isolated outputs				●
AY11E	Relay	16	—	—	●	●	
AY11EEU	Relay	16	—	—	●	●	
AY13	Relay	32	—	—	—	—	
AY13EU	Relay	32	—	—	—	—	
AY13E	Relay	32	—	—	●	—	
AY15EU	Relay	32	—	—	—	—	
AY20EU	Triac	16	—	—	●	●	
AY22	Triac	16	—	—	●	●	
AY23	Triac	32	—	—	●	●	
AY40	Transistor	16	●	—	—	●	
AY40A	Transistor	16	●	—	—	●	
AY40P	Transistor	16	●	—	—	●	
AY41	Transistor	32	●	—	—	●	
AY41P	Transistor	32	●	—	—	●	
AY42	Transistor	64	●	—	—	●	
AY42-S1	Transistor	64	●	—	—	●	
AY42-S3	Transistor	64	●	—	—	●	
AY42-S4	Transistor	64	●	—	—	●	
AY50	Transistor	16	●	—	●	●	
AY51	Transistor	32	●	—	—	●	
AY51-S1	Transistor	32	●	—	—	●	
AY60	Transistor	16	●	—	●	●	
AY60S	Transistor	16	●	—	●	●	
AY60E	Transistor	16	—	●	●	●	
AY60EP	Transistor	16	—	●	—	●	
AY70	TTL, CMOS	16	●	—	—	—	
AY71	TTL, CMOS	32	●	—	—	—	
AY72	TTL, CMOS	64	●	—	—	●	
AY80	Transistor	16	—	●	●	●	
AY80EP	Transistor	16	—	●	—	●	
AY81	Transistor	32	—	●	—	●	
AY81EP	Transistor	32	—	●	—	●	
AY82EP	Transistor	64	—	●	—	●	

key ● : Provided
 — : Not provided

Electronic circuit protection

Electronic circuit protection

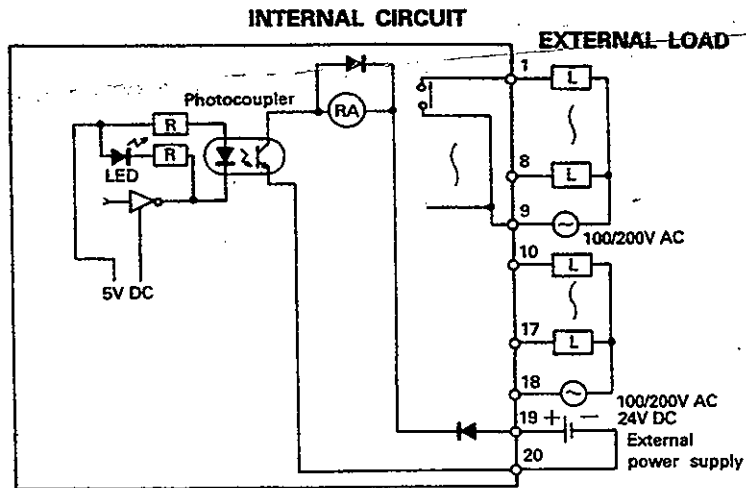
Electronic circuit protection

3. OUTPUT MODULE SPECIFICATIONS

3.1 Type AY10 Output Module

Relay Contact Output		Type	AY10	Front View mm(inch)
Specifications				
Output points			16 points	
Insulation system			Photocoupler	
Rated switching voltage, current			24V DC 2A (resistance load)/point 240V AC 2A (cos φ = 1)/point, (but ≤ 8A per common)	
Min. switching load			5V DC 1mA	
Max. switching voltage			264V AC, 125V DC	
Response time	OFF → ON		10ms or less	
	ON → OFF		12ms or less	
Life	Mechanical		20 million times or more	
	Electrical		At rated switching voltage/current load 200 thousand times or more	
			200V AC 1.5A, 240V AC 1A (COS φ = 0.7) 200 thousand times or more	
			200V AC 1A, 240V AC 0.5A (COS φ = 0.35) 200 thousand times or more	
		24V DC 1A, 100V DC 0.1A (L/R=7ms) 200 thousand times or more		
Max. switching frequency			3600 times/hour	
Surge killer			Not provided	
Internal current consumption (5V DC)			115mA (TYP. all points ON)	
Relay socket			Not provided	
Common terminal arrangement			8 points/common (common terminal: TB9, TB18)	
Indication			1 LED per point	
External power supply requirement	Voltage		24V DC ± 10% Ripple voltage 4Vp-p or less	
	Current		150mA (24V DC TYP. all points ON)	
Connection method			20-point removable terminal block (M3 × 6mm metric screws)	
Applicable wire size			0.75 to 2mm ² (18 to 14 AWG) (tightening torque: 7kg-cm (0.505lb-ft))	
Applicable solderless terminal			1.25-3, 1.25-YS3A, 2-S3, 2-YS3A, V1.25-3, V1.25-YS3A, V2-S3, V2-YS3A	
			Weight	0.44kg (0.97lbs)

Terminal No.	Signal No.
TB1	Y00
TB2	Y01
TB3	Y02
TB4	Y03
TB5	Y04
TB6	Y05
TB7	Y06
TB8	Y07
TB9	Common 1
TB10	Y08
TB11	Y09
TB12	Y0A
TB13	Y0B
TB14	Y0C
TB15	Y0D
TB16	Y0E
TB17	Y0F
TB18	Common 2
TB19	24V DC
TB20	0V



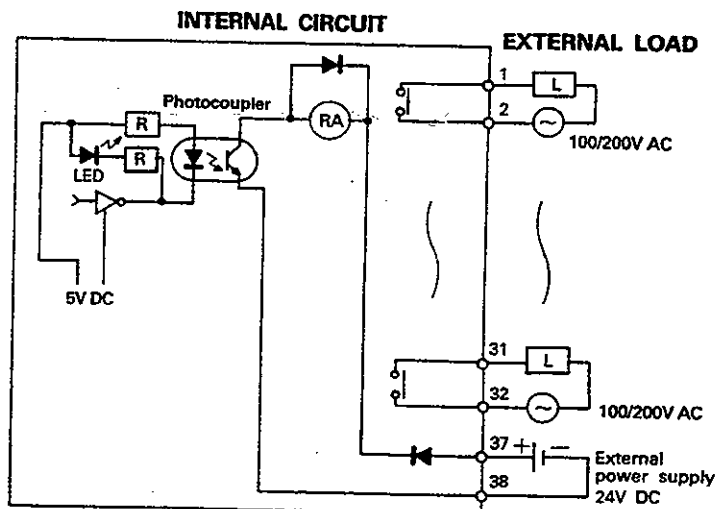
3. OUTPUT MODULE SPECIFICATIONS



3.2 Type AY10A Output Module (Relay Contact Output (all points independent))

Relay Contact Output		Type	AY10A	Front View mm(inch)
Specifications				
Output points			16 points	
Insulation system			Photocoupler	
Rated switching voltage, current			24V DC 2A (resistance load)/point 240V AC 2A (cos φ=1)/point, (but ≤ 16A total)	
Min. switching load			5V DC 1mA	
Max. switching voltage			264V AC, 125V DC	
Response time	OFF → ON		10ms or less	
	ON → OFF		12ms or less	
Life	Mechanical		20 million times or more	
	Electrical		At rated switching voltage/current load 200 thousand times or more	
			200V AC 1.5A, 240V AC 1A (COS φ=0.7) 200 thousand times or more	
			200V AC 1A, 240V AC 0.5A (COS φ=0.35) 200 thousand times or more	
		24V DC 1A, 100V DC 0.1A (L/R=7ms) 200 thousand times or more		
Max. switching frequency			3600 times/hour	
Surge killer			Not provided	
Internal current consumption (5V DC)			115mA (TYP. all points ON)	
Relay socket			Not provided	
Common terminal arrangement			Not provided (all points independent)	
Indication			1 LED per point	
External power supply requirement	Voltage		24V DC ±10% Ripple voltage 4Vp-p or less	
	Current		150mA (24V DC TYP. all points ON)	
Connection method			38-point removable terminal block (M3 × 6mm metric screws)	
Applicable wire size			0.75 to 2mm ² (18 to 14 AWG) (tightening torque: 7kg-cm (0.505lb-ft))	
Applicable solderless terminal			1.25-3, 1.25-YS3A, 2-S3, 2-YS3A, V1.25-3, V1.25-YS3A, V2-S3, V2-YS3A	
			Weight	0.5kg (1.1lbs)

Terminal No.	Signal No.	Terminal No.	Signal No.
TB1	Y00	TB21	Y0A
TB2		TB22	
TB3	Y01	TB23	Y0B
TB4		TB24	
TB5	Y02	TB25	Y0C
TB6		TB26	
TB7	Y03	TB27	Y0D
TB8		TB28	
TB9	Y04	TB29	Y0E
TB10		TB30	
TB11	Y05	TB31	Y0F
TB12		TB32	
TB13	Y06	TB33	Not used
TB14		TB34	Not used
TB15	Y07	TB35	Not used
TB16		TB36	Not used
TB17	Y08	TB37	24V DC
TB18		TB38	0V
TB19	Y09		
TB20			



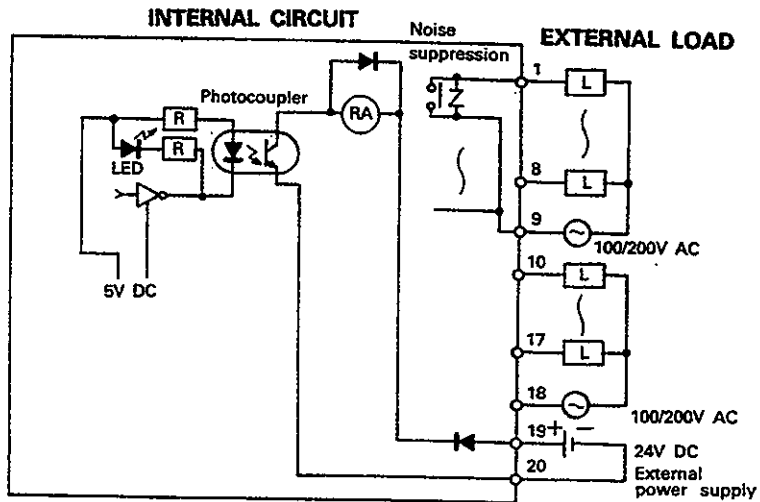
3. OUTPUT MODULE SPECIFICATIONS



3.3 Type AY11 Output Module

Relay Contact Output		Type	AY11	Front View mm(inch)
Specifications				
Output points			16 points	
Insulation system			Photocoupler	
Rated switching voltage, current			24V DC 2A (resistance load)/point 240V AC 2A (cos φ = 1)/point, (but ≤ 8A per common)	
Min. switching load			5V DC 1mA	
Max. switching voltage			264V AC, 125V DC	
Leakage current at OFF circuit			0.1mA (200V AC, 60Hz)	
Response time	OFF → ON		10ms or less	
	ON → OFF		12ms or less	
Life	Mechanical		20 million times or more	
	Electrical		At rated switching voltage/current load 200 thousand times or more	
			200V AC 1.5A, 240V AC 1A (COS φ = 0.7) 200 thousand times or more	
			200V AC 1A, 240V AC 0.5A (COS φ = 0.35) 200 thousand times or more	
		24V DC 1A, 100V DC 0.1A (L/R = 7ms) 200 thousand times or more		
Max. switching frequency			3600 times/hour	
Noise suppression			Varistor (387 to 473V)	
Internal current consumption (5V DC)			115mA (TYP. all points ON)	
Relay socket			Provided	
Common terminal arrangement			8 points/common (common terminal: TB9, TB18)	
Indication			1 LED per point	
External power supply requirement	Voltage		24V DC ±10% Ripple voltage 4Vp-p or less	
	Current		150mA (24V DC TYP. all points ON)	
Connection method			20-point removable terminal block (M3 × 6mm metric screws)	
Applicable wire size			0.75 to 2mm ² (18 to 14 AWG) (tightening torque: 7kg·cm (0.505lb-ft))	
Applicable solderless terminal			1.25-3, 1.25-YS3A, 2-S3, 2-YS3A, V1.25-3, V1.25-YS3A, V2-S3, V2-YS3A	
Weight			0.5kg (1.1lbs)	

Terminal No.	Signal No.
TB1	Y00
TB2	Y01
TB3	Y02
TB4	Y03
TB5	Y04
TB6	Y05
TB7	Y06
TB8	Y07
TB9	Common 1
TB10	Y08
TB11	Y09
TB12	Y0A
TB13	Y0B
TB14	Y0C
TB15	Y0D
TB16	Y0E
TB17	Y0F
TB18	Common 2
TB19	24V DC
TB20	0V



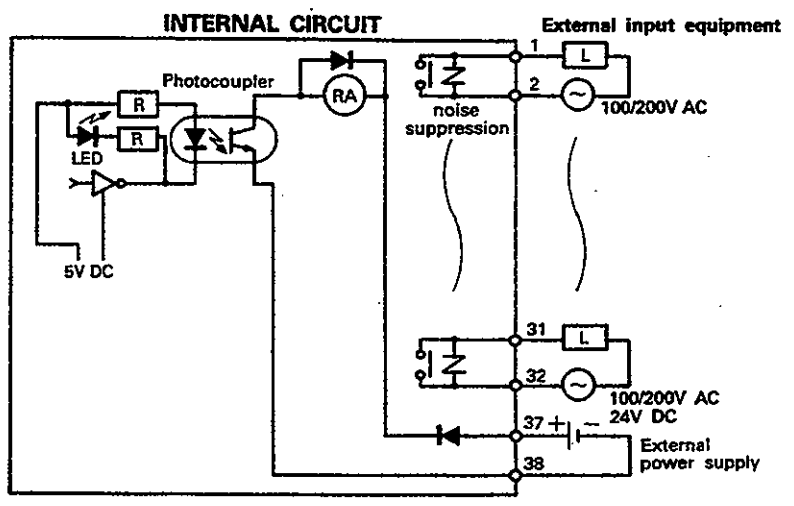
3. OUTPUT MODULE SPECIFICATIONS



3.4 Type AY11A Output Module (Relay Contact Output (all points independent))

Relay Contact Output		Type	AY11A	Front View mm(inch)
Specifications				
Output points			16 points	
Insulation system			Photocoupler	
Rated switching voltage, current			24V DC 2A (resistive load)/point 240V AC 2A (cos φ=1)/point, (but ≤ 16A total)	
Min. switching load			5V DC 1mA	
Max. switching voltage			264V AC, 125V DC	
Leakage current at OFF circuit			0.1mA (200V AC, 60Hz)	
Response time	OFF → ON		10ms or less	
	ON → OFF		12ms or less	
Life	Mechanical		20 million times or more	
	Electrical		At rated switching voltage/ current load 200 thousand times or more	
			200V AC 1.5A, 240V AC 1A (COS φ=0.7) 200 thousand times or more	
			200V AC 1A, 240V AC 0.5A (COS φ=0.35) 200 thousand times or more	
		24V DC 1A, 100V DC 0.1A (L/R=7ms) 200 thousand times or more		
Max. switching frequency			3600 times/hour	
Noise suppression			Varistor (387 to 473V)	
Internal current consumption (5V DC)			115mA (TYP. all points ON)	
Relay socket			Not provided	
Common terminal arrangement			Not provided (all points independent)	
Indication			1 LED per point	
External power supply requirement	Voltage		24V DC ±10% Ripple voltage 4Vp-p or less	
	Current		150mA (24V DC TYP. all points ON)	
Connection method			38-point removable terminal block (M3 × 6mm metric screws)	
Applicable wire size			0.75 to 2mm ² (18 to 14 AWG) (tightening torque: 7kg·cm (0.505lb-ft))	
Applicable solderless terminal			1.25-3, 1.25-YS3A, 2-S3, 2-YS3A, V1.25-3, V1.25-YS3A, V2-S3, V2-YS3A	
		Weight	0.47kg (1.03lbs)	

Terminal No.	Output Signal No.	Terminal No.	Output Signal No.
TB1	Y00	TB21	Y0A
TB2		TB22	
TB3	Y01	TB23	Y0B
TB4		TB24	
TB5	Y02	TB25	Y0C
TB6		TB26	
TB7	Y03	TB27	Y0D
TB8		TB28	
TB9	Y04	TB29	Y0E
TB10		TB30	
TB11	Y05	TB31	Y0F
TB12		TB32	
TB13	Y06	TB33	Not used
TB14		TB34	Not used
TB15	Y07	TB35	Not used
TB16		TB36	Not used
TB17	Y08	TB37	24V DC
TB18		TB38	0V
TB19	Y09		
TB20			



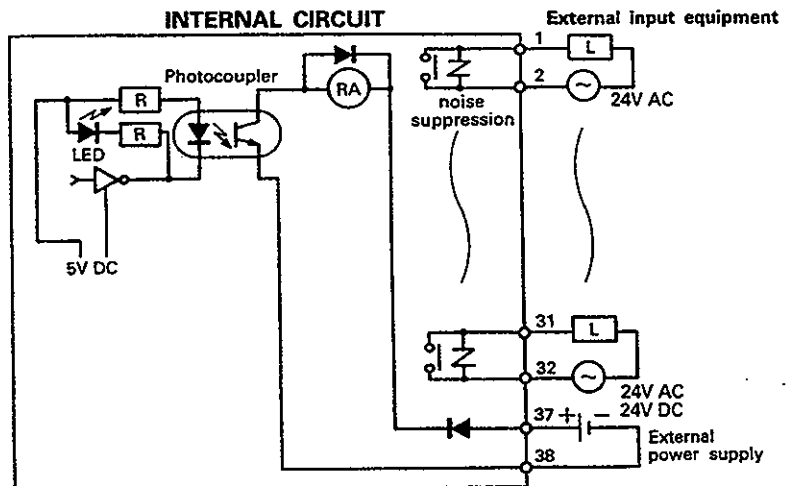
3. OUTPUT MODULE SPECIFICATIONS



3.4.1 Type AY11AEU Output Module (Relay Contact Output (all points independent))

Relay Contact Output		Type	AY11AEU	Front View mm(inch)
Specifications				
Output points			16 points	
Insulation system			Photocoupler	
Rated switching voltage, current			24V DC 2A (resistive load)/point 24V AC 2A (cosφ=1)/point, (but ≤ 16A total)	
Min. switching load			5V DC 1mA	
Max. switching voltage			49.9V AC, 74.9V DC	
Leakage current at OFF circuit			0.1mA (49.9V AC, 60Hz)	
Response time	OFF — ON		10ms or less	
	ON — OFF		12ms or less	
Life	Mechanical		20 million times or more	
	Electrical		At rated switching voltage/current load 200 thousand times or more	
			24V AC 1.5A, (COSφ=0.7) 200 thousand times or more	
			24V AC 0.75A, (COSφ=0.35) 200 thousand times or more	
		24V DC 1A, 48V DC 0.1A (L/R=7ms) 200 thousand times or more		
Max. switching frequency			3600 times/hour	
Noise suppression			Varistor (387 to 473V)	
Internal current consumption (5V DC)			115mA (TYP. all points ON)	
Relay socket			Not provided	
Common terminal arrangement			Not provided (all points independent)	
Indication			1 LED per point	
External power supply requirement	Voltage		24V DC ±10% Ripple voltage 4Vp-p or less	
	Current		150mA (24V DC TYP. all points ON)	
Connection method			38-point removable terminal block (M3 X 6mm metric screws)	
Applicable wire size			0.75 to 2mm ² (18 to 14 AWG) (tightening torque: 7kgf-cm (0.505lb-ft))	
Applicable solderless terminal			R1.25-3, R2-3 RAV1.25-3, RAV2-3	
Noise durability			AC type noise voltage 1500Vp-p, DC type noise voltage 500Vp-p, Noise width 1μs, Noise frequency 25 to 60Hz (noise simulator condition)	
Withstanding voltage			1500V AC for 1 minute between all AC external terminals together and ground 500V AC for 1 minute between all DC external terminals together and ground	
Insulation resistance			10MΩ or higher, measured with a 500V DC insulation resistance tester	
		Weight	0.47kg (1.03lbs)	

Terminal No.	Output Signal No.	Terminal No.	Output Signal No.
TB1	Y00	TB21	Y0A
TB2		TB22	
TB3	Y01	TB23	Y0B
TB4		TB24	
TB5	Y02	TB25	Y0C
TB6		TB26	
TB7	Y03	TB27	Y0D
TB8		TB28	
TB9	Y04	TB29	Y0E
TB10		TB30	
TB11	Y05	TB31	Y0F
TB12		TB32	
TB13	Y06	TB33	Not used
TB14		TB34	Not used
TB15	Y07	TB35	Not used
TB16		TB36	Not used
TB17	Y08	TB37	24V DC
TB18		TB38	0V
TB19	Y09		
TB20			



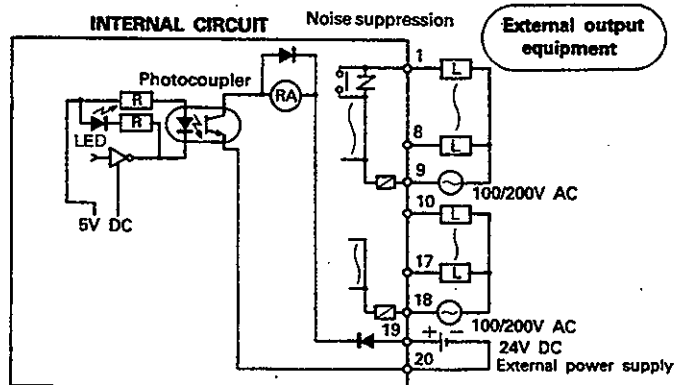
3. OUTPUT MODULE SPECIFICATIONS



3.5 Type AY11E Output Module

Relay Contact Output		Type	AY11E	Front View mm(inch)
Specifications				
Output points			16 points	
Insulation system			Photocoupler	
Rated switching voltage, current			24V DC 2A (resistive load)/point, 240V AC 2A (cos φ = 1)/point, (but ≤ 8A per common)	
Min. switching load			5V DC 1mA	
Max. switching voltage			250V AC, 125V DC	
Leakage current at OFF			0.1mA (200V AC, 60Hz)	
Response time	OFF → ON		10ms or less	
	ON → OFF		12ms or less	
Life	Mechanical		20 million times or more	
	Electrical		At rated switching voltage/current load 200 thousand times or more	
			200V AC 1.5A, 240V AC 1A (COS φ = 0.7) 200 thousand times or more	
			200V AC 1A, 240V AC 0.5A (COS φ = 0.35) 200 thousand times or more	
		24V DC 1A, 100V DC 0.1A (L/R = 7ms) 200 thousand times or more		
Max. switching frequency			3600 times/hour	
Noise suppression			Varistor (387 to 473V)	
Fuse			8A MF51NM8	
Fuse blow indication			Not provided	
Internal current consumption (5V DC)			115mA (TYP. all points ON)	
Relay socket			Not provided	
Common terminal arrangement			8 points/common (common terminal: TB9, TB18)	
Indication			1 LED per point	
External power supply requirement	Voltage		24V DC ±10% Ripple voltage 4Vp-p or less	
	Current		150mA (24V DC all points ON)	
Connection method			20-point removable terminal block (M3 × 6mm metric screws)	
Applicable wire size			0.75 to 2mm ² (18 to 14 AWG) (tightening torque: 7kg·cm (0.505lb·ft))	
Applicable solderless terminal			1.25-3, 1.25-YS3A, 2-S3, 2-YS3A, V1.25-3, V1.25-YS3A, V2-S3, V2-YS3A	
			Weight	0.47kg (1.03lbs)

Terminal No.	Output Signal No.
TB1	Y00
TB2	Y01
TB3	Y02
TB4	Y03
TB5	Y04
TB6	Y05
TB7	Y06
TB8	Y07
TB9	COM 1
TB10	Y08
TB11	Y09
TB12	Y0A
TB13	Y0B
TB14	Y0C
TB15	Y0D
TB16	Y0E
TB17	Y0F
TB18	COM 2
TB19	24V DC
TB20	0V



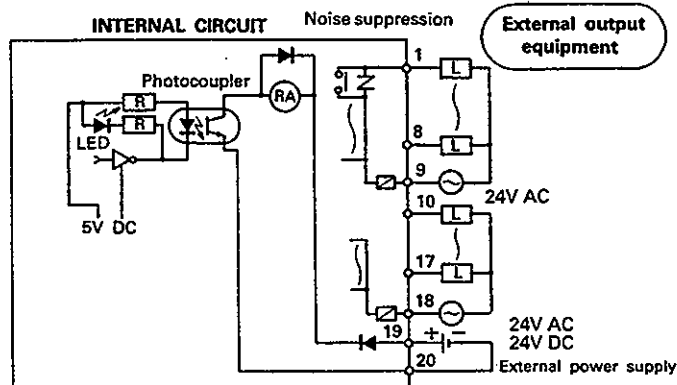
3. OUTPUT MODULE SPECIFICATIONS



3.5.1 Type AY11EEU Output Module

Relay Contact Output		Type	AY11EEU	Front View mm(inch)
Specifications				
Output points			16 points	
Insulation system			Photocoupler	
Rated switching voltage, current			24V DC 2A (resistive load)/point 24V AC 2A (cosφ=1)/point, (but ≤ 8A per common)	
Min. switching load			5V DC 1mA	
Max. switching voltage			49.9V AC, 74.9V DC	
Leakage current at OFF			0.1mA (49.9 AC, 60Hz)	
Response time	OFF → ON		10ms or less	
	ON → OFF		12ms or less	
Life	Mechanical		20 million times or more	
	Electrical		At rated switching voltage/current load 200 thousand times or more	
			24V AC 1.5A, (COSφ=0.7) 200 thousand times or more	
			24V AC 0.75A, (COSφ=0.35) 200 thousand times or more	
		24V DC 1A, 48V DC 0.1A (L/R=7ms) 200 thousand times or more		
Max. switching frequency			3600 times/hour	
Noise suppression			Varistor (387 to 473V)	
Fuse			8A MF51NM8	
Fuse blow indication			Not provided	
Internal current consumption (5V DC)			115mA (TYP. all points ON)	
Relay socket			Not provided	
Common terminal arrangement			8 points/common (common terminal: TB9, TB18)	
Indication			1 LED per point	
External power supply requirement	Voltage		24V DC ±10% Ripple voltage 4Vp-p or less	
	Current		150mA (24V DC all points ON)	
Connection method			20-point removable terminal block (M3 X 6mm metric screws)	
Applicable wire size			0.75 to 2mm ² (18 to 14 AWG) (tightening torque: 7kgf·cm (0.505lb·ft))	
Applicable solderless terminal			R1.25-3, R2-3 RAV1.25-3, RAV2-3	
Noise durability			AC type noise voltage 1500Vp-p, DC type noise voltage 500Vp-p, Noise width 1μs, Noise frequency 25 to 60Hz (noise simulator condition)	
Withstanding voltage			1500V AC for 1 minute between all AC external terminals together and ground 500V AC for 1 minute between all DC external terminals together and ground	
Insulation resistance			10MΩ or higher, measured with a 500V DC insulation resistance tester	
			Weight	0.47kg (1.03lbs)

Terminal No.	Output Signal No.
TB1	Y00
TB2	Y01
TB3	Y02
TB4	Y03
TB5	Y04
TB6	Y05
TB7	Y06
TB8	Y07
TB9	COM 1
TB10	Y08
TB11	Y09
TB12	Y0A
TB13	Y0B
TB14	Y0C
TB15	Y0D
TB16	Y0E
TB17	Y0F
TB18	COM 2
TB19	24V DC
TB20	0V



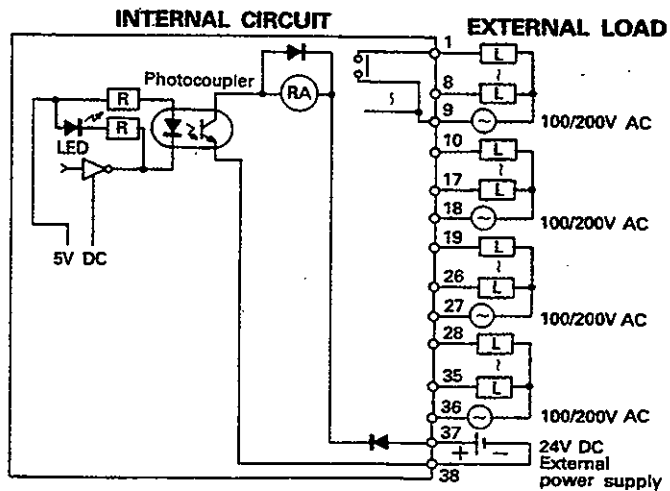
3. OUTPUT MODULE SPECIFICATIONS



3.6 Type AY13 Output Module

Relay Contact Output		Type	AY13	Front View mm(inch)
Specifications				
Output points			32 points	
Insulation system			Photocoupler	
Rated switching voltage, current			24V DC 2A (resistance load)/point 240V AC 2A (cos φ=1)/point, (but ≤ 5A per common)	
Min. switching load			5V DC 1mA	
Max. switching voltage			264V AC, 125V DC	
Response time	OFF → ON		10ms or less	
	ON → OFF		12ms or less	
Life	Mechanical		20 million times or more	
	Electrical		At rated switching voltage/current load 200 thousand times or more	
			200V AC 1.5A, 240V AC 1A (COS φ=0.7) 200 thousand times or more	
			200V AC 1A, 240V AC 0.5A (COS φ=0.35) 200 thousand times or more	
		24V DC 1A, 100V DC 0.1A (L/R=7ms) 200 thousand times or more		
Max. switching frequency			3600 times/hour	
Noise suppression			Not provided	
Internal current consumption (5V DC)			230mA (TYP. all points ON)	
Relay socket			Not provided	
Common terminal arrangement			8 points/common (common terminal: TB9, TB18, TB27, TB36)	
Indication			1 LED per point	
External power supply requirement	Voltage		24V DC ±10% Ripple voltage 4Vp-p or less	
	Current		290mA (24V DC TYP. all points ON)	
Connection method			38-point removable terminal block (M3 × 6mm metric screws)	
Applicable wire size			0.75 to 2mm ² (18 to 14 AWG) (tightening torque: 7kg·cm (0.505lb·ft))	
Applicable solderless terminal			1.25-3, 1.25-YS3A, 2-S3, 2-YS3A, V1.25-3, V1.25-YS3A, V2-S3, V2-YS3A	
			Weight	0.59kg (1.3lbs)

Terminal No.	Signal No.	Terminal No.	Signal No.
TB1	Y00	TB21	Y12
TB2	Y01	TB22	Y13
TB3	Y02	TB23	Y14
TB4	Y03	TB24	Y15
TB5	Y04	TB25	Y16
TB6	Y05	TB26	Y17
TB7	Y06	TB27	Common 3
TB8	Y07	TB28	Y18
TB9	Common 1	TB29	Y19
TB10	Y08	TB30	Y1A
TB11	Y09	TB31	Y1B
TB12	Y0A	TB32	Y1C
TB13	Y0B	TB33	Y1D
TB14	Y0C	TB34	Y1E
TB15	Y0D	TB35	Y1F
TB16	Y0E	TB36	Common 4
TB17	Y0F	TB37	24V DC
TB18	Common 2	TB38	0V
TB19	Y10		
TB20	Y11		



3. OUTPUT MODULE SPECIFICATIONS



3.6.1 Type AY13EU Output Module

Relay Contact Output		Type	AY13EU	Front View mm(inch)	
Specifications					
Output points			32 points		
Insulation system			Photocoupler		
Rated switching voltage, current			24V DC 2A (resistance load)/point 24V AC 2A (cosφ=1)/point, (but ≤ 5A per common)		
Min. switching load			5V DC 1mA		
Max. switching voltage			49.9V AC, 74.9V DC		
Response time	OFF — ON		10ms or less		
	ON — OFF		12ms or less		
Life	Mechanical		20 million times or more		
	Electrical		At rated switching voltage/current load 200 thousand times or more		
			24V AC 1.5A, (COSφ=0.7) 200 thousand times or more		
			24V AC 0.75A, (COSφ=0.35) 200 thousand times or more		
		24V DC 1A, 48V DC 0.1A (L/R=7ms) 200 thousand times or more			
Max. switching frequency			3600 times/hour		
Noise suppression			Not provided		
Internal current consumption (5V DC)			230mA (TYP. all points ON)		
Relay socket			Not provided		
Common terminal arrangement			8 points/common (common terminal: TB9, TB18 TB27, TB36)		
Indication			1 LED per point		
External power supply requirement	Voltage		24V DC ±10% Ripple voltage 4Vp-p or less		
	Current		290mA (24V DC TYP. all points ON)		
Connection method			38-point removable terminal block (M3 X 6mm metric screws)		
Applicable wire size			0.75 to 2mm ² (18 to 14 AWG) (tightening torque: 7kgf·cm (0.505lb·ft))		
Applicable solderless terminal			R1.25-3, R2-3 RAV1.25-3, RAV2-3		
Noise durability			AC type noise voltage 1500Vp-p, DC type noise voltage 500Vp-p, Noise width 1μs, Noise frequency 25 to 60Hz (noise simulator condition)		
Withstanding voltage			1500V AC for 1 minute between all AC external terminals together and ground 500V AC for 1 minute between all DC external terminals together and ground		
Insulation resistance			10MΩ or higher, measured with a 500V DC insulation resistance tester	Weight	0.59kg (1.30lbs)

Terminal No.	Signal No.	Terminal No.	Signal No.
TB1	Y00	TB21	Y12
TB2	Y01	TB22	Y13
TB3	Y02	TB23	Y14
TB4	Y03	TB24	Y15
TB5	Y04	TB25	Y16
TB6	Y05	TB26	Y17
TB7	Y06	TB27	Common 3
TB8	Y07	TB28	Y18
TB9	Common 1	TB29	Y19
TB10	Y08	TB30	Y1A
TB11	Y09	TB31	Y1B
TB12	Y0A	TB32	Y1C
TB13	Y0B	TB33	Y1D
TB14	Y0C	TB34	Y1E
TB15	Y0D	TB35	Y1F
TB16	Y0E	TB36	Common 4
TB17	Y0F	TB37	24V DC
TB18	Common 2	TB38	0V
TB19	Y10		
TB20	Y11		

INTERNAL CIRCUIT

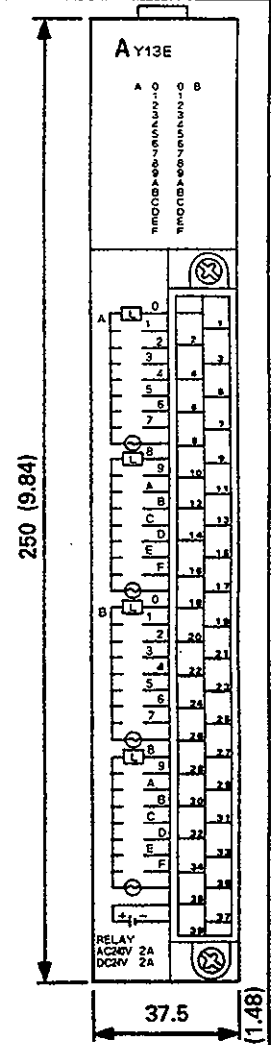
EXTERNAL LOAD

3. OUTPUT MODULE SPECIFICATIONS

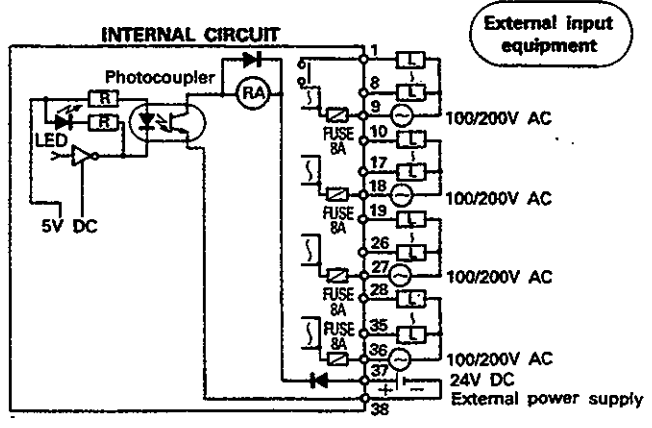


3.7 Type AY13E Output Module

Relay Contact Output		Type	AY13E	Front View mm(inch)
Specifications				
Output points			32 points	
Insulation system			Photocoupler	
Rated switching voltage, current			24V DC 2A (resistance load): point, 5A/common 240V AC 2A (cos φ = 1): point, (but ≤ 5A per common)	
Min. switching load			5V DC 1mA	
Max. switching voltage			250V AC, 125V DC	
Response time	OFF → ON		10ms or less	
	ON → OFF		12ms or less	
Life	Mechanical		20 million times or more	
	Electrical		At rated switching voltage/current load 200 thousand times or more	
			200V AC 1.5A, 240V AC 1A (COS φ = 0.7) 200 thousand times or more	
			200V AC 1A, 240V AC 0.5A (COS φ = 0.35) 200 thousand times or more	
		24V DC 1A, 100V DC 0.1A (L/R = 7ms) 200 thousand times or more		
Max. switching frequency			3600 times/hour	
Noise suppression			Not provided	
Fuse			8A MF51NM8	
Fuse blow indication			Not provided	
Internal current consumption (5V DC)			230mA (TYP. all points ON)	
Relay socket			Not provided	
Common terminal arrangement			8 points/common (common terminal: TB9, TB18, TB27, TB36)	
Indication			1 LED per point	
External power supply requirement	Voltage		24V DC ±10% Ripple voltage 4Vp-p or less	
	Current		290mA (24V DC all points ON)	
Connection method			38-point removable terminal block (M3 X 6mm metric screws)	
Applicable wire size			0.75 to 2mm ² (18 to 14 AWG) (tightening torque: 7kg·cm (0.505lb·ft))	
Applicable solderless terminal			1.25-3, 1.25-YS3A, 2-S3, 2-YS3A, V1.25-3, V1.25-YS3A, V2-S3, V2-YS3A	
			Weight	0.60kg (1.32lbs)



Terminal No.	Output Signal No.	Terminal No.	Output Signal No.
TB1	Y00	TB21	Y12
TB2	Y01	TB22	Y13
TB3	Y02	TB23	Y14
TB4	Y03	TB24	Y15
TB5	Y04	TB25	Y16
TB6	Y05	TB26	Y17
TB7	Y06	TB27	COM 3
TB8	Y07	TB28	Y18
TB9	COM 1	TB29	Y29
TB10	Y08	TB30	Y1A
TB11	Y09	TB31	Y1B
TB12	Y0A	TB32	Y1C
TB13	Y0B	TB33	Y1D
TB14	Y0C	TB34	Y1E
TB15	Y0D	TB35	Y1F
TB16	Y0E	TB36	COM 4
TB17	Y0F	TB37	24V DC
TB18	COM 2	TB38	0V
TB19	Y10		
TB20	Y11		



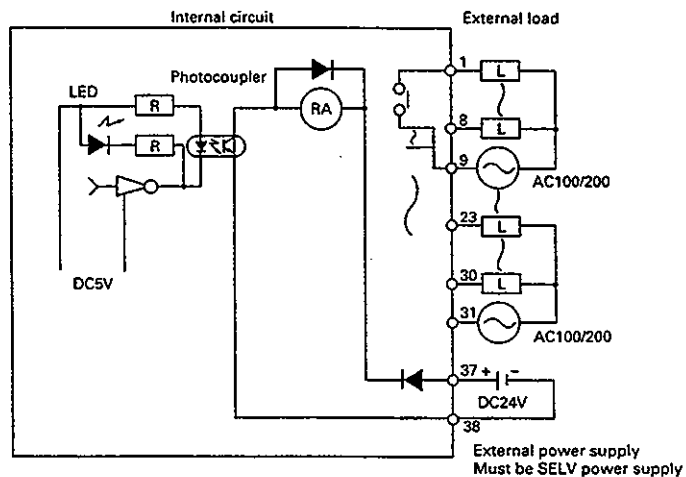
3. OUTPUT MODULE SPECIFICATIONS



3.7.1 Type AY15EU Output Module

Relay Contact Output		Type	AY15EU	Front View mm(inch)
Specifications				
Output points			24 points (number of occupied I/O points : 32 points)	
Insulation method			Photocoupler	
Rated switching voltage, current			24V DC 2A (resistance load)/point 240V AC 2A (cosφ=1)/point, (but ≤ 8A per common)	
Min. switching load			5V DC 10mA	
Max. switching voltage			264V AC, 125V DC	
Response time	OFF – ON		10ms or less	
	ON – OFF		12ms or less	
Life	Mechanical		20 million times or more	
	Electrical		At rated switching voltage/current load 10 thousand times or more	
			200V AC 2A, 240V AC 1.8A (COSφ=0.7) 200 thousand times or more	
			200V AC 1.1A, 240V AC 0.9A (COSφ=0.35) 200 thousand times or more	
		24V DC 1A, 100V DC 0.1A (L/R=7ms) 200 thousand times or more		
Max. switching frequency			3600 times/hour	
Surge absorber			Not provided	
Internal current consumption (5V DC)			150mA (TYP. all points ON)	
Fuse			Not provided	
Common terminal arrangement			8 points/common (common terminal: TB9, TB20, TB31)	
Operating indicator			ON state is indicated (LED)	
Connection method			38-point removable terminal block (M3.5 X 6mm screws)	
Applicable wire size			0.75 to 2mm ² (AWG14 to AWG19) (Applicable tightening torque: 78.4N·cm (8kg·cm))	
Applicable solderless terminal			R1.25-3, R2-3 RAV1.25-3, RAV2-3	
Withstand voltage			(AC external batch relay-drive power supply, 5V internal circuit) 2830V AC rms/3 cycle (2,000m)	
			(Relay-drive power supply, 5V internal circuit) 500V AC rms/3 cycle (2,000m)	
Insulation resistance			10MΩ or more using a insulation resistance tester	
Noise immunity			IEC801-4 : 1kV	
External power supply (24V DC, 0V)	Voltage		24V DC ± 10% Ripple voltage 4Vp-p or less	
	Current		220mA (240V DC all points ON)	
			Must be SELV power supply	
Weight			0.50kg (1.10lbs)	

Terminal No.	Signal No.	Terminal No.	Signal No.
TB1	Y00	TB21	Vacant
TB2	Y01	TB22	Vacant
TB3	Y02	TB23	Y10
TB4	Y03	TB24	Y11
TB5	Y04	TB25	Y12
TB6	Y05	TB26	Y13
TB7	Y06	TB27	Y14
TB8	Y07	TB28	Y15
TB9	Common 1	TB29	Y16
TB10	Vacant	TB30	Y17
TB11	Vacant	TB31	Common 3
TB12	Y08	TB32	Vacant
TB13	Y09	TB33	Vacant
TB14	Y0A	TB34	Vacant
TB15	Y0B	TB35	Vacant
TB16	Y0C	TB36	Vacant
TB17	Y0D	TB37	DC24V
TB18	Y0E	TB38	0V
TB19	Y0F		
TB20	Common 2		



3. OUTPUT MODULE SPECIFICATIONS



3.7.2 Type AY20EU Output Module

Relay Contact Output		AY20EU		Front View mm(inch)	
Specifications		Type		Front View mm(inch)	
Output points		16 points			
Insulation method		Photocoupler			
Rated load voltage		100 to 240V AC 40 to 70Hz			
Max. load voltage		264V AC			
Max. load current		0.6A/point, 1.9A/common			
Min. load voltage/current		24V AC/15mA, 120V AC/15mA, 240V AC/15mA			
Max. allowed rush current		30A 10ms or less, 15A 100ms or less			
Leakage current at OFF circuit		1.5mA (240V AC 60Hz)			
Max. voltage drop at ON circuit		1.5V AC or less (15mA to 0.6A)			
Response time	OFF – ON	1ms or less			
	ON – OFF	0.5 CYCLE + 1ms or less			
Surge absorber		CR absorber (0.1μF + 47Ω)			
Fuse rating		Fuse 3.2A (1 common) GP-32			
Common terminal arrangement		4 points/common (common terminal : TB8, TB18, TB28, TB38)			
Operating indicator		ON state is indicated (LED)			
Fuse blow indication		LED on unit front. Signal to PC CPU			
Connection method		38-point removable terminal block (M3.5 X 6mm screws)			
Applicable wire size		0.75 to 2mm ² (AWG14 to AWG19) (Applicable tightening torque 78.4N·cm(8kgf·cm))			
Applicable solderless terminal		RAV1.25-3.5, RAV2-3.5			
Accessories		Fuse GP-32 : 1			
Withstanding voltage		2830V AC rms/3 cycle (2,000m)			
Insulation resistance		10MΩ or more using a insulation resistance tester			
Noise durability		IEC801-4 : 1kV			
Internal current consumption (5V DC)		400mA (TYP. all points ON)		Weight	0.65kg (1.43lbs)

Terminal No.	Signal No.	Terminal No.	Signal No.
TB1	Y00	TB21	Y08
TB2	Vacant	TB22	Vacant
TB3	Y01	TB23	Y09
TB4	Vacant	TB24	Vacant
TB5	Y02	TB25	Y0A
TB6	Vacant	TB26	Vacant
TB7	Y03	TB27	Y0B
TB8	Common 1	TB28	Common 3
TB9	Vacant	TB29	Vacant
TB10	Vacant	TB30	Vacant
TB11	Y04	TB31	Y0C
TB12	Vacant	TB32	Vacant
TB13	Y05	TB33	Y0D
TB14	Vacant	TB34	Vacant
TB15	Y06	TB35	Y0E
TB16	Vacant	TB36	Vacant
TB17	Y07	TB37	Y0F
TB18	Common 2	TB38	Common 4
TB19	Vacant		
TB20	Vacant		

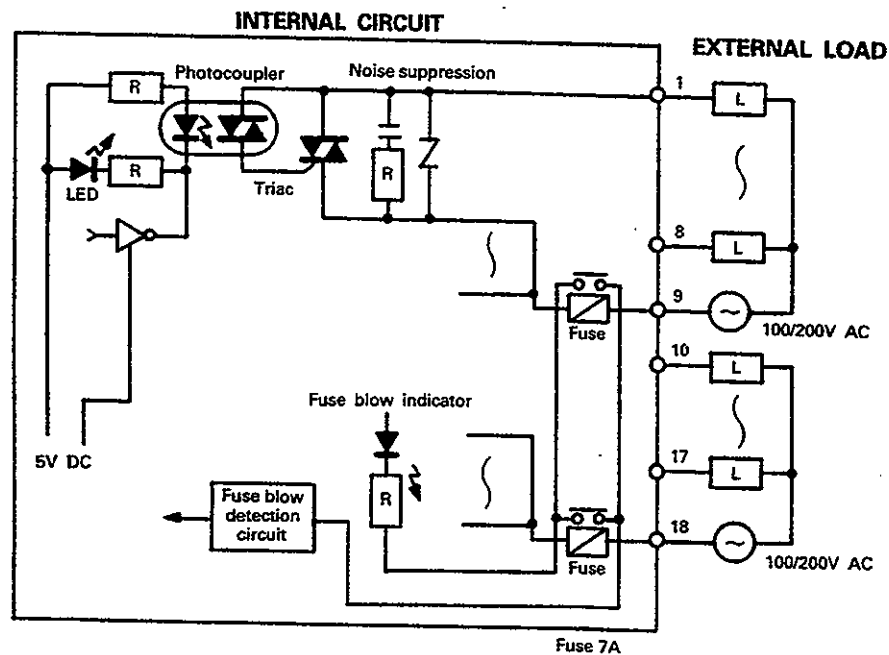
3. OUTPUT MODULE SPECIFICATIONS



3.8 Type AY22 Output Module

Triac Output		Type	AY22	Front View mm(inch)
Specifications				
Output points			16 points	
Insulation system			Photocoupler	
Rated load voltage			100-240V AC 50/60Hz ±5%	
Max. load voltage			264V AC	
Max. load current			2A/point, 3.3A/common	
Min. load voltage, current			24V AC 100mA, 100V AC 10mA, 240V AC 20mA	
Max. inrush current			40A-10ms or shorter, 15A-100ms or shorter	
Leakage current (OFF)			1.5mA (120V AC 60Hz), 3mA (240V AC 60Hz)	
Max. voltage drop (ON)			1.5V or lower (1 to 2A), 1.8V or lower (0.2 to 1A), 5V or lower (0.2A or lower)	
Response time	OFF → ON		1ms or less	
	ON → OFF		0.5 cycles + 1ms or less	
Internal current consumption (5V DC)			305mA (TYP. all points ON)	
Noise suppression			CR absorber (0.022 μF+47Ω), Varistor (387 to 473V)	
Fuse rating			7A fast blow fuse (1 fuse per common) type HP-70K	
Fuse blow indicator			LED on unit front. Signal to PC CPU	
Common terminal arrangement			8 points/common (common terminal: TB9, TB18)	
Indication			1 LED per point	
Connection method			20-point removable terminal block (M3 × 6mm metric screws)	
Applicable wire size			0.75 to 2mm ² (18 to 14 AWG) (tightening torque: 7kg·cm (0.505lb-ft))	
Applicable solderless terminal			1.25-3, 1.25-YS3A, 2-S3, 2-YS3A, V1.25-3, V1.25-YS3A, V2-S3, V2-YS3A	
			Weight	0.71kg (1.56lbs)

Terminal No.	Signal No.
TB1	Y00
TB2	Y01
TB3	Y02
TB4	Y03
TB5	Y04
TB6	Y05
TB7	Y06
TB8	Y07
TB9	Common 1
TB10	Y08
TB11	Y09
TB12	Y0A
TB13	Y0B
TB14	Y0C
TB15	Y0D
TB16	Y0E
TB17	Y0F
TB18	Common 2
TB19	Not used
TB20	Not used

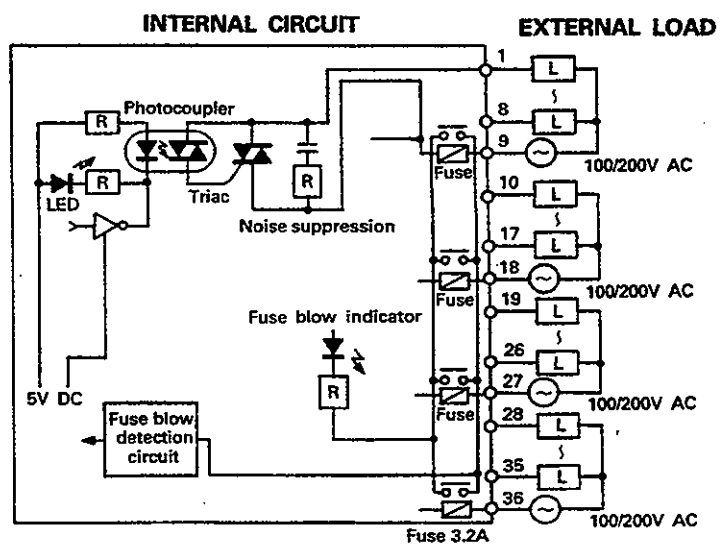


3. OUTPUT MODULE SPECIFICATIONS

3.9 Type AY23 Output Module

Triac Output		Type	AY23	Front View mm(inch)
Specifications				
Output points			32 points	
Insulation system			Photocoupler	
Rated load voltage			100–240V AC 40 to 70Hz	
Max. load voltage			264V AC	
Max. load current			0.6A/points, 2.4A/common *(1.05A/common)	
Min. load voltage, current			24V AC 100mA, 100V AC 10mA, 240V AC 10mA	
Max. inrush current			20A–10ms or shorter, 8A–100ms or shorter	
Leakage current (OFF)			1.5mA (120V AC 60Hz), 3mA (240V AC 60Hz)	
Max. voltage drop (ON)			1.5V or lower (0.1 to 0.6A), 1.8V or lower (0.05 to 0.1A) 2.0V or lower (0.01 to 0.5A)	
Response time	OFF → ON		1ms	
	ON → OFF		0.5 cycles + 1ms or less	
Internal current consumption (5V DC)			590mA (TYP. all points ON)	
Noise suppression			CR absorber (0.022 μF + 47 Ω)	
Fuse rating			3.2A fast blow fuse (1 fuse per common) type HP-32	
Fuse blow indicator			LED on unit front. Signal to PC CPU	
Common terminal arrangement			8 points/common (common terminal: TB9, TB18, TB27, TB36)	
Indication			1 LED per point	
Connection method			38 point removable terminal block (M3 × 6mm metric screws)	
Applicable wire size			0.75 to 2mm ² (18 to 14 AWG) (tightening torque: 7kg-cm (0.505lb-ft))	
Applicable solderless terminal			1.25-3, 1.25-YS3A, 2-S3, 2-YS3A V1.25-3, V1.25-YS3A, V2-S3, VS-YS3A	
			Weight	0.55kg (1.21lbs)

Terminal No.	Signal No.	Terminal No.	Signal No.
TB1	Y00	TB21	Y12
TB2	Y01	TB22	Y13
TB3	Y02	TB23	Y14
TB4	Y03	TB24	Y15
TB5	Y04	TB25	Y16
TB6	Y05	TB26	Y17
TB7	Y06	TB27	Common 3
TB8	Y07	TB28	Y18
TB9	Common 1	TB29	Y19
TB10	Y08	TB30	Y1A
TB11	Y09	TB31	Y1B
TB12	Y0A	TB32	Y1C
TB13	Y0B	TB33	Y1D
TB14	Y0C	TB34	Y1E
TB15	Y0D	TB35	Y1F
TB16	Y0E	TB36	Common 4
TB17	Y0F	TB37	Not used
TB18	Common 2	TB38	Not used
TB19	Y10		
TB20	Y11		



*: 1.05A/common when the output module is used in the next slot to the power supply module.

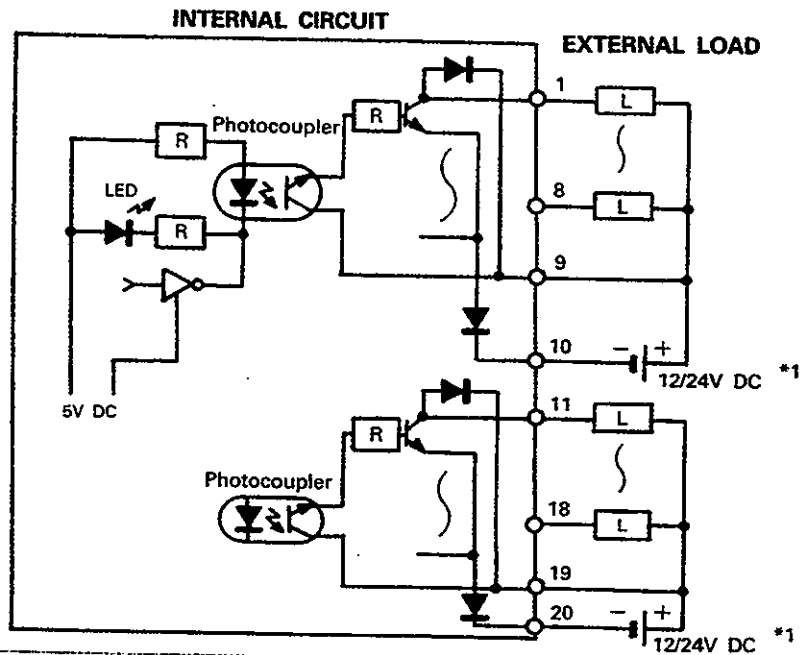
3. OUTPUT MODULE SPECIFICATIONS



3.10 Type AY40 Output Module (Sink Loading)

Transistor Output		Type	AY40	Front View mm(inch)
Specifications				
Output points			16 points	
Insulation system			Photocoupler	
Rated load voltage			12/24V DC	
Operating load voltage range			10.2 to 40V DC	
Max. load current			0.1A/points, 0.8A/common	
Max. inrush current			0.4A	
Leakage current (OFF)			0.1mA or lower	
Max. voltage drop (ON)			2.5V (0.1A), 1.75V (5mA), 1.7V (1mA)	
Response time	OFF → ON		2ms or less	
	ON → OFF		2ms or less (resistive load)	
Internal current consumption (5V DC)			115mA (TYP. all points ON)	
External power supply requirement	Voltage		12/24V DC (10.2 to 40V DC)	
	Current		8mA (24V DC TYP. per common)	
Noise suppression			Clamp diode *2	
Common terminal arrangement			8 points/common (common terminal: TB10, TB20)	
Indication			1 LED per point	
Connection method			20-point removable terminal block (M3 × 6mm metric screws)	
Applicable wire size			0.75 to 2mm ² (18 to 14 AWG) (tightening torque: 7kg·cm (0.505lb-ft))	
Applicable solderless terminal			1.25-3, 1.25-YS3A, 2-S3, 2-YS3A, V1.25-3, V1.25-YS3A, V2-S3, V2-YS3A	
			Weight	0.36kg (0.80lbs)

Terminal No.	Signal NO.
TB1	Y00
TB2	Y01
TB3	Y02
TB4	Y03
TB5	Y04
TB6	Y05
TB7	Y06
TB8	Y07
TB9	12/24V DC
TB10	0V
TB11	Y08
TB12	Y09
TB13	Y0A
TB14	Y0B
TB15	Y0C
TB16	Y0D
TB17	Y0E
TB18	Y0F
TB19	12/24V DC
TB20	0V



*1: The load power and external power supply sources must be the same otherwise the surge suppression (clamp diode) becomes invalid.

The clamping diode absorbs surge through the wiring route.
L load is recommended to add surge absorber to individual both ends.

*2: The peak voltage including surge becomes 40V including a reverse-resisting pressure of the clamping diode.

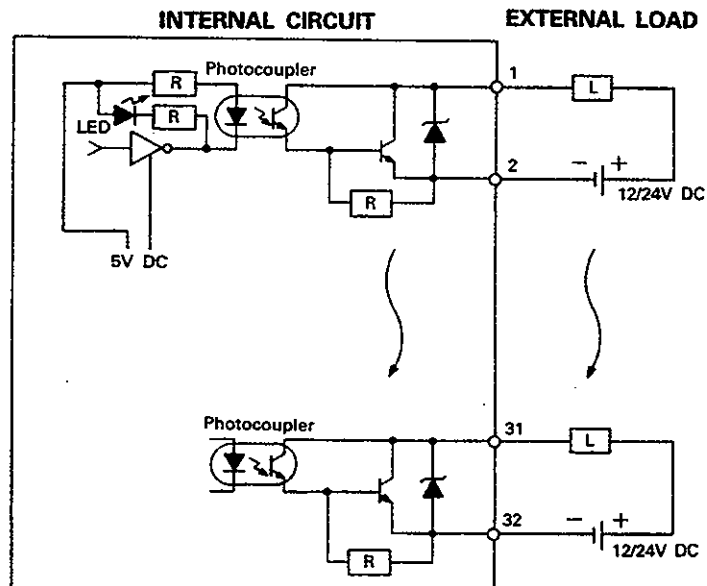
3. OUTPUT MODULE SPECIFICATIONS



3.11 Type AY40A Output Module (Sink Loading, all points independent)

Transistor Output		Type	AY40A	Front View mm(inch)
Specifications				
Output points			16 points	
Insulation system			Photocoupler	
Rated load voltage			12/24V DC	
Operating load voltage range			10.2 to 30V DC (Max. applied voltage)	
Max. load current			0.3A/point	
Max. inrush current			1A, 100ms or lower	
Leakage current (OFF)			0.1mA or lower	
Max. voltage drop (ON)			1.5V (50mA to 0.3A), 1.0V (50mA or lower)	
Response time	OFF → ON		2msec or less	
	ON → OFF		2msec or less (resistive load)	
Internal current consumption (5V DC)			190mA (TYP. all points ON)	
Noise suppression			Diode for absorbing noise	
Common terminal arrangement			Not provided (all points independent)	
Indication			1 LED per point	
Connection method			38-point removable terminal block (M3 × 6mm metric screws)	
Applicable wire size			0.75 to 2mm ² (18 to 14 AWG) (tightening torque: 7kg·cm (0.505lb·ft))	
Applicable solderless terminal			1.25-3, 1.25-YS3A, 2-S3, 2-YS3A, V1.25-3, V1.25-YS3A, V2-S3, V2-YS3A	
			Weight	0.42kg (0.92lbs)

Terminal No.	Signal No.	Terminal No.	Signal No.
TB1	Y00	TB21	Y0A
TB2		TB22	
TB3	Y01	TB23	Y0B
TB4		TB24	
TB5	Y02	TB25	Y0C
TB6		TB26	
TB7	Y03	TB27	Y0D
TB8		TB28	
TB9	Y04	TB29	Y0E
TB10		TB30	
TB11	Y05	TB31	Y0F
TB12		TB32	
TB13	Y06	TB33	
TB14		TB34	
TB15	Y07	TB35	
TB16		TB36	
TB17	Y08	TB37	Not used
TB18		TB38	Not used
TB19	Y09		
TB20			



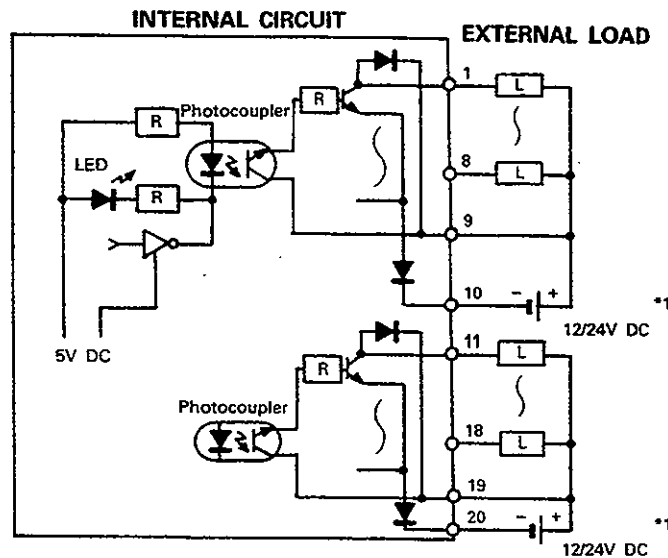
3. OUTPUT MODULE SPECIFICATIONS



3.12 Type AY40P Transistor Output Module (Sink Loading)

Specifications	Type	AY40P	Front View mm(inch)
Output points		16 points	
Insulation system		Photocoupler	
Rated load voltage		12/24V DC	
Operating load voltage range		10.8 to 26.4V DC	
Max. load current		0.1A/point, 0.8A/common	
Max. inrush current		0.38A, 5msec or less	
Leakage current (OFF)		0.1mA or lower	
Max. voltage drop (ON)		DC2.5V(0.1A), DC1.75V(5mA), DC1.7V(1mA)	
Response time	OFF → ON	2msec or less	
	ON → OFF	2 msec or less (resistive load)	
Internal current consumption (5V DC)		115mA (TYP. all points ON)	
External power supply requirement	Voltage	12/24V DC(10.8 to 26.4V DC)	
	Current	15mA (24V DC per common)	
Noise suppression		Clamp Diode *4	
Common terminal arrangement		8 points/common (common terminal: TB10, TB20)	
Indication		1 LED per point	
Protect		Provided (thermal and short-circuit protects) Thermal protect is detected in 1 common unit. When thermal protect occurs at one point of a common, all output points of corresponding common are turned OFF.	
Protect detection indication		None (signal is not output to a PC CPU.)	
Protect reset		Automatic reset (reset by canceling thermal protect)	
Connection method		20-point removable terminal block (M3 × 6mm metric screws)	
Applicable wire size		0.75 to 2mm ² (18 to 14 AWG) (tightening torque: 7kg·cm (0.505lb-ft))	
Applicable solderless terminal		1.25-3, 1.25-YS3A, 2-S3, 2-YS3A, V1.25-3, V1.25-YS3A, V2-S3, V2-YS3A,	
	Weight		0.36Kg (0.80lbs)

Terminal No.	Output Signal No.
TB1	Y00
TB2	Y01
TB3	Y02
TB4	Y03
TB5	Y04
TB6	Y05
TB7	Y06
TB8	Y07
TB9	12/24V DC
TB10	0V
TB11	Y08
TB12	Y09
TB13	Y0A
TB14	Y0B
TB15	Y0C
TB16	Y0D
TB17	Y0E
TB18	Y0F
TB19	12/24V DC
TB20	0V



- *1: The load power and external power supply sources must be the same otherwise the surge suppression (clamp diode) becomes invalid. (See Section 7.2, example 5.)
The clamping diode absorbs surge through the wiring route.
L load is recommended to add surge absorber to individual both ends.
- *2: When 3 points or more of common 8 points are short-circuited simultaneously, internal circuit may be broken.
- *3: When an external load remains short-circuited for a long time (time limit for short circuit is about 4 hours), internal circuit may be broken.
When short-circuit protect occurs (output of 8 points are turned OFF), restore an external load as soon as possible.
- *4: The peak voltage including surge becomes 40V including a reverse-resisting pressure of the clamping diode.

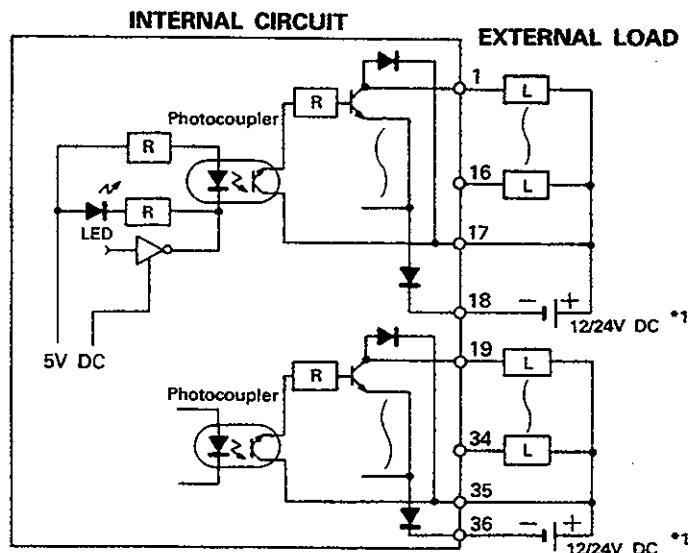
3. OUTPUT MODULE SPECIFICATIONS



3.13 Type AY41 Output Module (Sink Loading)

Transistor Output		Type	AY41	Front View mm(inch)
Specifications				
Output points			32 points	
Insulation system			Photocoupler	
Rated load voltage			12/24V DC	
Operating load voltage range			10.2 to 40V DC	
Max. load current			0.1A/points, 1.6A/common	
Max. inrush current			0.4A	
Leakage current (OFF)			0.1mA or lower	
Max. voltage drop (ON)			2.5V (0.1A), 1.75V (5mA), 1.7V (1mA)	
Response time	OFF → ON		2ms or less	
	ON → OFF		2ms or less (resistive load)	
Internal current consumption (5V DC)			230mA (TYP. all points ON)	
External power supply requirement	Voltage		12/24V DC (10.2 to 40V DC)	
	Current		20mA (24V DC TYP. per common)	
Noise suppression			Clamp Diode *2	
Common terminal arrangement			16 points/common (common terminal: TB18, TB36)	
Indication			1 LED per point	
Connection method			38-point removable terminal block (M3 × 6mm metric screws)	
Applicable wire size			0.75 to 2mm ² (18 to 14 AWG) (tightening torque: 7kg·cm (0.505lb·ft))	
Applicable solderless terminal			1.25-3, 1.25-YS3A, 2-S3, 2-YS3A, V1.25-3, V1.25-YS3A, V2-S3, V2-YS3A	
			Weight	0.44kg (0.97lbs)

Terminal No.	Signal NO.	Terminal No.	Signal NO.
TB1	Y00	TB21	Y12
TB2	Y01	TB22	Y13
TB3	Y02	TB23	Y14
TB4	Y03	TB24	Y15
TB5	Y04	TB25	Y16
TB6	Y05	TB26	Y17
TB7	Y06	TB27	Y18
TB8	Y07	TB28	Y19
TB9	Y08	TB29	Y1A
TB10	Y09	TB30	Y1B
TB11	Y0A	TB31	Y1C
TB12	Y0B	TB32	Y1D
TB13	Y0C	TB33	Y1E
TB14	Y0D	TB34	Y1F
TB15	Y0E	TB35	12/24V DC
TB16	Y0F	TB36	0V
TB17	12/24V DC	TB37	Not used
TB18	0V	TB38	Not used
TB19	Y10		
TB20	Y11		



*1: The load power and external power supply sources must be the same otherwise the surge suppression (clamp diode) becomes invalid.

The clamping diode absorbs surge through the wiring route.
L load is recommended to add surge absorber to individual both ends.

*2: The peak voltage including surge becomes 40V including a reverse-resisting pressure of the clamping diode.

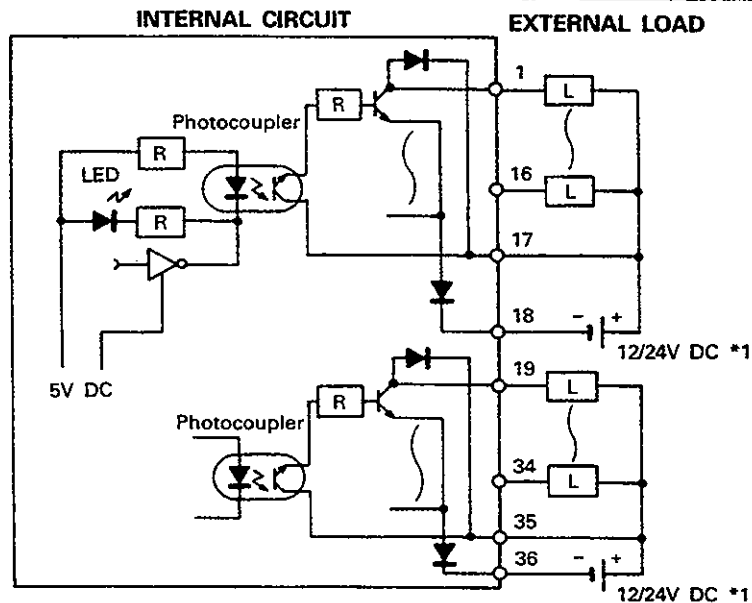
3. OUTPUT MODULE SPECIFICATIONS



3.14 Type AY41P Transistor Output Module (Sink Loading)

Specifications	Type	AY41P	Front View mm(inch)
Output points		32 points	
Insulation system		Photocoupler	
Rated load voltage		12/24V DC	
Operating load voltage range		10.8 to 26.4V DC	
Max. load current		0.1A/point, 1.0A/common	
Max. inrush current		0.38A, 5msec or less	
Leakage current (OFF)		0.1mA or lower	
Max. voltage drop (ON)		2.5V DC(0.1A), 1.75V DC(5mA), 1.7V DC(1mA)	
Response time	OFF → ON	2msec or less	
	ON → OFF	2msec or less (resistive load)	
Internal current consumption (5V DC)		230mA (TYP. all points ON)	
External power supply requirement	Voltage	12/24V DC (10.8 to 26.4V DC)	
	Current	30mA (24V DC TYP. per common)	
Noise suppression		Clamp Diode *4	
Common terminal arrangement		16 points/common (common terminal: TB18, TB36)	
Indication		1 LED per point	
Protect		Provided (thermal and short-circuit protects) Thermal protect is detected in 8 point units separately in the first half and latter half of one common. When thermal protect occurs at one point of 8 points in the first or latter half of one common, corresponding 8 point outputs of such first or latter half are turned OFF.	
Protect detection indication		None (signal is not output to a PC CPU.)	
Protect reset		Automatic reset (reset by canceling thermal protect)	
Connection method		38-point removable terminal block (M3 X 6mm metric screws)	
Applicable wire size		0.75 to 2mm 2 (tightening torque: 7kg·cm (0.05lb-ft))	
Applicable solderless terminal		1.25-3, 1.25-YS3A, 2-S3, 2-YS3A, V1.25-3, V1.25-YS3A, V2-S3, V2-YS3A	
	Weight	0.44kg (0.97lbs)	

Terminal No.	Signal No.	Terminal No.	Signal No.
TB1	Y00	TB21	Y12
TB2	Y01	TB22	Y13
TB3	Y02	TB23	Y14
TB4	Y03	TB24	Y15
TB5	Y04	TB25	Y16
TB6	Y05	TB26	Y17
TB7	Y06	TB27	Y18
TB8	Y07	TB28	Y19
TB9	Y08	TB29	Y1A
TB10	Y09	TB30	Y1B
TB11	Y0A	TB31	Y1C
TB12	Y0B	TB32	Y1D
TB13	Y0C	TB33	Y1E
TB14	Y0D	TB34	Y1F
TB15	Y0E	TB35	12/24V DC
TB16	Y0F	TB36	0V
TB17	12/24V DC	TB37	Not used
TB18	0V	TB38	Not used
TB19	Y10		
TB20	Y11		



- *1: The load power and external power supply sources must be the same otherwise the surge suppression (clamp diode) becomes invalid. (See Section 7.2, example 5.) The clamping diode absorbs surge through the wiring route. L load is recommended to add surge absorber to individual both ends.
- *2: When 3 points or more of common 8 points in the first or latter half are short-circuited simultaneously, internal circuit may be broken.
- *3: When an external load remains short-circuited for a long time (time limit for short circuit is about 4 hours), internal circuit may be broken. When short-circuit protect occurs (output of 8 points are turned OFF), restore an external load as soon as possible.
- *4: The peak voltage including surge becomes 40V including a reverse-resisting pressure of the clamping diode.

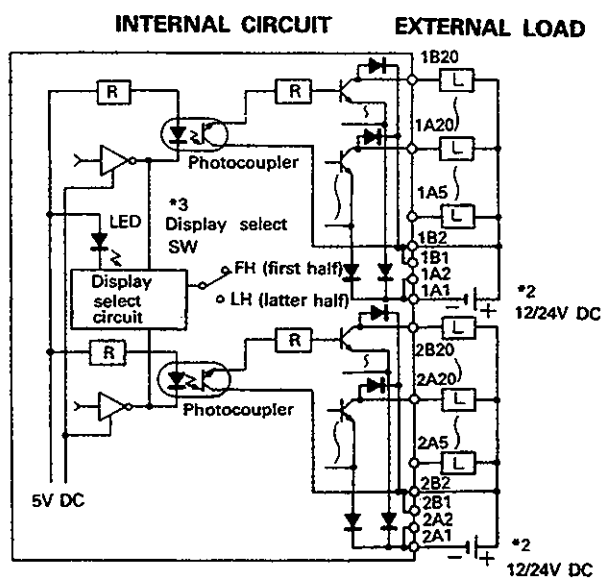
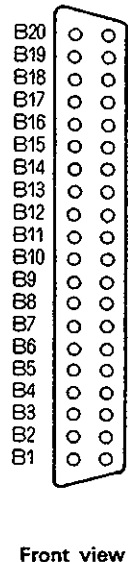
3. OUTPUT MODULE SPECIFICATIONS



3.15 Type AY42 Output Module (Sink Loading)

Transistor Output		Type	AY42	Front View mm(inch)	
Specifications					
Output points			64 points		
Insulation system			Photocoupler		
Rated load voltage			12/24V DC		
Max. load current			0.1A/point, 2A/common*(1.6A/common)		
Operating load voltage range			10.2 to 40V DC		
Max. inrush current			0.4A		
Leakage current (OFF)			0.1mA or lower		
Max. voltage drop (ON)			2.5V (0.1A), 1.75V (5mA), 1.7V (1mA)		
Response time	OFF → ON		2ms or less		
	ON → OFF		2ms or less (resistive load)		
Noise suppression			Clamp Diode *7		
Common terminal arrangement			32 points/common (common terminal: 1A1, 1A2, 2A1, 2A2)		
Indication			1 LED per two points (switch selection of block of 32 points)		
Internal current consumption (5V DC)			340mA (TYP. all points ON)		
External power supply requirement	Voltage		12/24V DC (10.2 to 40V DC)		
	Current		40mA (24V DC TYP. per common)		
Connection method			Two 40-pin connectors (solder)		
Applicable wire size			0.3mm ² (23 AWG)		
Accessory			Two external wiring connectors	Weight	0.5kg (1.1lbs)

Pin No.	Signal No. (FH)	Pin No.	Signal No. (LH)
1B20	Y00	2B20	Y20
1B19	Y01	2B19	Y21
1B18	Y02	2B18	Y22
1B17	Y03	2B17	Y23
1B16	Y04	2B16	Y24
1B15	Y05	2B15	Y25
1B14	Y06	2B14	Y26
1B13	Y07	2B13	Y27
1B12	Y08	2B12	Y28
1B11	Y09	2B11	Y29
1B10	Y0A	2B10	Y2A
1B9	Y0B	2B9	Y2B
1B8	Y0C	2B8	Y2C
1B7	Y0D	2B7	Y2D
1B6	Y0E	2B6	Y2E
1B5	Y0F	2B5	Y2F
1B4	Not used	2B4	Not used
1B3	Not used	2B3	Not used
1B2	12/24V DC	2B2	12/24V DC
1B1	12/24V DC	2B1	12/24V DC
1A20	Y10	2A20	Y30
1A19	Y11	2A19	Y31
1A18	Y12	2A18	Y32
1A17	Y13	2A17	Y33
1A16	Y14	2A16	Y34
1A15	Y15	2A15	Y35
1A14	Y16	2A14	Y36
1A13	Y17	2A13	Y37
1A12	Y18	2A12	Y38
1A11	Y19	2A11	Y39
1A10	Y1A	2A10	Y3A
1A9	Y1B	2A9	Y3B
1A8	Y1C	2A8	Y3C
1A7	Y1D	2A7	Y3D
1A6	Y1E	2A6	Y3E
1A5	Y1F	2A5	Y3F
1A4	Not used	2A4	Not used
1A3	Not used	2A3	Not used
1A2	0V	2A2	0V
1A1	0V	2A1	0V



- *1: When assigning pin numbers to outputs, use the above table. Note that the silkscreen printing on the front of the module refers A and B numbers to the LED indicators and not to the pin assignment numbers.
- *2: The load power and external power supply sources must be the same otherwise the surge suppression (clamp diode) becomes invalid. The clamping diode absorbs surge through the wiring route. L load is recommended to add surge absorber to individual both ends.
- *3: The statuses of the first 32 outputs (Y00 to Y1F) are indicated by the LEDs when the toggle switch is set to FH (for first half). The second 32 outputs (Y20 to Y3F) are indicated when LH is selected.
- *4: 1.6A/common when the output module is used next to the power supply module.
- *5: Pin numbers 1... indicate the upper connector pins and 2... the lower connector pins
- *6: AY42 is provided with two soldered type connector jacks. When a pressure displacement type connector is necessary, user should prepare it referring to Section 1 (8). (Type:FCN-361J040-AU (connector), FCN-360C040-B (cover))
- *7: The peak voltage including surge becomes 40V including a reverse-resisting pressure of the clamping diode.

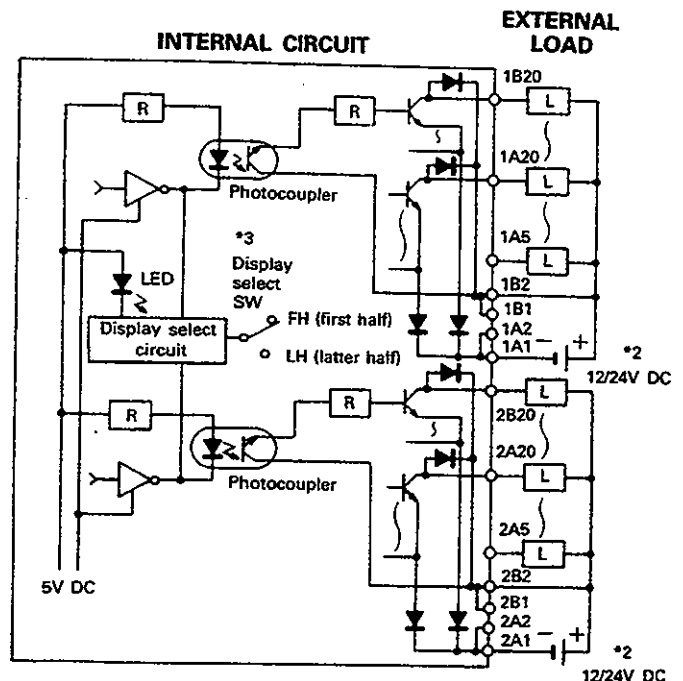
3. OUTPUT MODULE SPECIFICATIONS



3.16 Type AY42-S1 Output Module (Sink Loading)

Transistor Output		Type	AY42-S1	Front View mm(inch)	
Specifications					
Output points			64 points		
Insulation system			Photocoupler		
Rated load voltage			12/24V DC		
Max. load current			0.1A/point, 2A/common (1.6A/common) *4		
Operating load voltage range			10.2 to 40V DC		
Max. inrush current			0.4A		
Leakage current (OFF)			0.1mA or lower		
Max. voltage drop (ON)			2.5V (0.1A), 1.75V (5mA), 1.7V (1mA)		
Response time	OFF → ON		0.1ms or less		
	ON → OFF		0.3ms or less (resistive load less than 2.4kΩ)		
Noise suppression			Clamp Diode *5		
Common terminal arrangement			32 points/common (common terminal: 1A1, 1A2, 2A1, 2A2)		
Indication			1 LED per two points (switch selection of block of 32 points)		
Internal current consumption (5V DC)			290mA (TYP. all points ON)		
External power supply requirement	Voltage		12/24V DC (10.2 to 40V DC)		
	Current		40mA (24V DC TYP. per common)		
Connection method			Two 40-pin connectors (solder)		
Applicable wire size			0.3mm ² (23 AWG)		
Accessory			Two external wiring connectors	Weight	0.5kg (1.1lbs)

Pin No.	Signal No. (FH)	Pin No.	Signal No. (LH)
1B20	Y00	2B20	Y20
1B19	Y01	2B19	Y21
1B18	Y02	2B18	Y22
1B17	Y03	2B17	Y23
1B16	Y04	2B16	Y24
1B15	Y05	2B15	Y25
1B14	Y06	2B14	Y26
1B13	Y07	2B13	Y27
1B12	Y08	2B12	Y28
1B11	Y09	2B11	Y29
1B10	Y0A	2B10	Y2A
1B9	Y0B	2B9	Y2B
1B8	Y0C	2B8	Y2C
1B7	Y0D	2B7	Y2D
1B6	Y0E	2B6	Y2E
1B5	Y0F	2B5	Y2F
1B4	Not used	2B4	Not used
1B3	Not used	2B3	Not used
1B2	12/24V DC	2B2	12/24V DC
1B1	12/24V DC	2B1	12/24V DC
1A20	Y10	2A20	Y30
1A19	Y11	2A19	Y31
1A18	Y12	2A18	Y32
1A17	Y13	2A17	Y33
1A16	Y14	2A16	Y34
1A15	Y15	2A15	Y35
1A14	Y16	2A14	Y36
1A13	Y17	2A13	Y37
1A12	Y18	2A12	Y38
1A11	Y19	2A11	Y39
1A10	Y1A	2A10	Y3A
1A9	Y1B	2A9	Y3B
1A8	Y1C	2A8	Y3C
1A7	Y1D	2A7	Y3D
1A6	Y1E	2A6	Y3E
1A5	Y1F	2A5	Y3F
1A4	Not used	2A4	Not used
1A3	Not used	2A3	Not used
1A2	0V	2A2	0V
1A1	0V	2A1	0V



*1: When assigning pin numbers to outputs, use the above table. Note that the silkscreen printing on the front of the module refers A and B numbers to the LED indicators and not to the pin assignment numbers.

*2: The load power and external power supply sources must be the same otherwise the surge suppression (clamp diode) becomes invalid. The clamping diode absorbs surge through the wiring route. L load is recommended to add surge absorber to individual both ends.

*3: The statuses of the first 32 outputs (Y00 to Y1F) are indicated by the LEDs when the toggle switch is set to FH (for first half). The second 32 outputs (Y20 to Y3F) are indicated when LH is selected.

*4: When this unit is used for a slot next to the power supply unit, the maximum load current value is as indicated in the parentheses.

*5: The peak voltage including surge becomes 40V including a reverse-resisting pressure of the clamping diode.

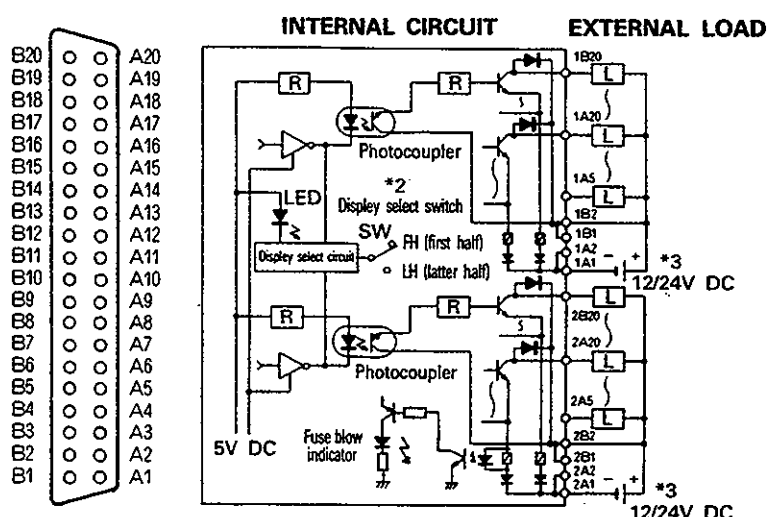
3. OUTPUT MODULE SPECIFICATIONS



3.17 Type AY42-S3 Transistor Output Module (Sink Loading)

Transistor Output		Type	AY42-S3	Front View mm(inch)	
Specifications					
Output points			64 points		
Insulation system			Photocoupler		
Rated load voltage			12/24V DC		
Operating load voltage range			10.2 to 40V DC		
Max. load current			0.1A/point, 2A/common *1		
Max. inrush current			0.4A/point, 3.5A/fuse		
Leakage current (OFF)			0.1mA or lower		
Max. voltage drop (ON)			2.5V DC(0.1A), 1.75V DC(5mA), 1.7V DC(1mA)		
Response time	OFF → ON		2msec or less		
	ON → OFF		2msec or less (resistive load)		
Internal current consumption (5V DC)			290mA (TYP. all points ON)		
External power supply requirement	Voltage		12/24V DC (10.2 to 40V DC)		
	Current		40mA (24V DC TYP. per common)		
Noise suppression			Clamp Diode *8		
Fuse rating			1.6A normal fuse (2 fuse per common) *7		
Fuse blow indicator			Provided		
Common terminal arrangement			32 points/common (common terminal: TB1A1, 1A2, 2A1, 2A2)		
Indication			1 LED per point (switch selection of block of 32 points)		
Connection method			Two 40-pin connectors (soldered)		
Applicable wire size			0.3 mm ²		
Accessory			Two external wiring connectors	Weight	0.50kg (1.1lbs)

Pin No.	Signal No. (FH)	Pin No.	Signal No. (LH)
1B20	Y00	2B20	Y20
1B19	Y01	2B21	Y21
1B18	Y02	2B18	Y22
1B17	Y03	2B16	Y23
1B16	Y04	2B16	Y24
1B15	Y05	2B15	Y25
1B14	Y06	2B14	Y26
1B13	Y07	2B13	Y27
1B12	Y08	2B12	Y28
1B11	Y09	2B11	Y29
1B10	Y0A	2B10	Y2A
1B9	Y0B	2B9	Y2C
1B8	Y0C	2B8	Y2D
1B7	Y0D	2B7	Y2E
1B6	Y0E	2B6	Y2F
1B5	Y0F	2B5	Y2F
1B4	Not used	2B4	Not used
1B3	Not used	2B3	Not used
1B2	12/24V DC	2B2	12/24V DC
1B1	12/24V DC	2B1	12/24V DC
1A20	Y10	2A20	Y30
1A19	Y11	2A19	Y31
1A18	Y12	2A18	Y32
1A17	Y13	2A17	Y33
1A16	Y14	2A16	Y34
1A15	Y15	2A15	Y35
1A14	Y16	2A14	Y36
1A13	Y17	2A13	Y37
1A12	Y18	2A12	Y38
1A11	Y19	2A11	Y39
1A10	Y1A	2A10	Y3A
1A9	Y1B	2A9	Y3B
1A8	Y1C	2A8	Y3C
1A7	Y1D	2A7	Y3D
1A6	Y1E	2A6	Y3E
1A5	Y1F	2A5	Y3F
1A4	Not used	2A4	Not used
1A3	Not used	2A3	Not used
1A2	0V	2A2	0V
1A1	0V	2A1	0V



Front view

- *1: Max. load current varies according to number of points which may be simultaneously turned ON. See Section 1 (10)
- *2: The statuses of the first 32 outputs (Y00 to Y1F) are indicated by the LEDs when the toggle switch is set to FH (for first half).
The second 32 outputs (Y20 to Y3F) are indicated when LH is selected.
- *3: The load power and external power supply sources must be the same otherwise the surge suppression (clamp diode) becomes invalid. (See Section 7.2, example 5.)
The clamping diode absorbs surge through the wiring route.
L load is recommended to add surge absorber to individual both ends.
- *4: The A and B pin numbers are reverse of those of silk screen printing on the unit.
The A number of the pin arrangement chart become the B numbers on the module.
- *5: Pin numbers 1[|] indicate the upper connector pins and 2[|] the lower connector pins.
- *6: AY42-S3 is provided with two soldered type connector jacks.
When a pressure displacement type connector is necessary, user should prepare it referring to Section 1 (8)
(Type: FCN-361J040-AU (connector), FCN-360C040-B (cover))
- *7: Built-in fuse is installed directly on the module for protecting external wiring.
When a fuse is blown, replace the module.
- *8: The peak voltage including surge becomes 40V including a reverse-resisting pressure of the clamping diode.

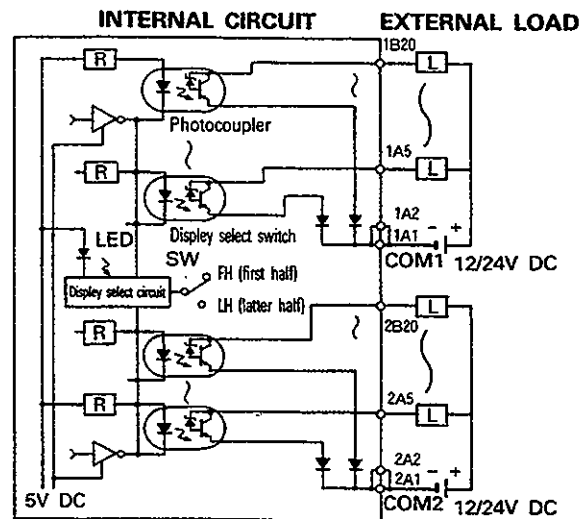
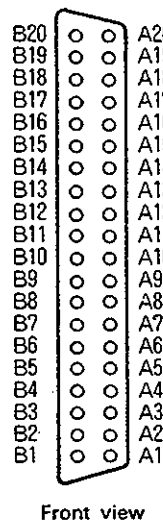
3. OUTPUT MODULE SPECIFICATIONS



3.18 Type AY42-S4 Transistor Output Module (Sink Loading)

Specifications	Type	AY42-S4	Front View mm(inch)
Output points		64 points	
Insulation system		Photocoupler	
Rated load voltage		12/24V DC	
Operating load voltage range		10.2 to 30V DC	
Max. load current		0.1A/point, 1.92A/common	
Max. inrush current		0.4A, 10msec or less	
Max. simultaneous ON		60% or less simultaneous ON	
Leakage current (OFF)		0.1mA or lower	
Max. voltage drop (ON)		2.5V DC(MAX), 0.1A, 1.0V DC(TYP) 0.1A	
Response time	OFF → ON	2msec or less	
	ON → OFF	2msec or less (resistive load)	
Noise suppression		Photocoupler built-in zener diode	
Common terminal arrangement		32 points/common (common terminal: 1A1, 1A2, 2A1, 2A2)	
Indication		1 LED per point (switch selection of block of 32 points)	
Internal current consumption (5V DC)		500mA (TYP.60% or less simultaneous ON)	
Connection method		Two 40-pin connectors (soldered)	
Applicable wire size		0.3mm ²	
Applicable solderless terminal		Two external wiring connectors	Weight
			0.44kg (0.97lbs)

Pin No.	Signal No. (FH)	Pin No.	Signal No. (LH)
1B20	Y00	2B20	Y20
1B19	Y01	2B21	Y21
1B18	Y02	2B18	Y22
1B17	Y03	2B16	Y23
1B16	Y04	2B16	Y24
1B15	Y05	2B15	Y25
1B14	Y06	2B14	Y26
1B13	Y07	2B13	Y27
1B12	Y08	2B12	Y28
1B11	Y09	2B11	Y29
1B10	Y0A	2B10	Y2A
1B9	Y0B	2B9	Y2B
1B8	Y0C	2B8	Y2C
1B7	Y0D	2B7	Y2D
1B6	Y0E	2B6	Y2E
1B5	Y0F	2B5	Y2F
1B4	Not used	2B4	Not used
1B3	Not used	2B3	Not used
1B2	Not used	2B2	Not used
1B1	Not used	2B1	Not used
1A20	Y10	2A20	Y30
1A19	Y11	2A19	Y31
1A18	Y12	2A18	Y32
1A17	Y13	2A17	Y33
1A16	Y14	2A16	Y34
1A15	Y15	2A15	Y35
1A14	Y16	2A14	Y36
1A13	Y17	2A13	Y37
1A12	Y18	2A12	Y38
1A11	Y19	2A11	Y39
1A10	Y1A	2A10	Y3A
1A9	Y1B	2A9	Y3B
1A8	Y1C	2A8	Y3C
1A7	Y1D	2A7	Y3D
1A6	Y1E	2A6	Y3E
1A5	Y1F	2A5	Y3F
1A4	Not used	2A4	Not used
1A3	Not used	2A3	Not used
1A2	COM1	2A2	COM2
1A1	COM1	2A1	COM2



*1: The statuses of the first 32 outputs (Y00 to Y1F) are indicated by the LEDs when the toggle switch is set to FH (for first half).

The second 32 output (Y20 to Y3F) are indicated when LH is selected.

*2: The A and B pin numbers are reverse of those of silk screen printing on the unit.

The A number of the pin arrangement chart become the B numbers on the module.

*3: Pin numbers 1[] indicate the upper connector pins and 2[] the lower connector pins.

*4: AY42-S3 is provided with two soldered type connector jacks.

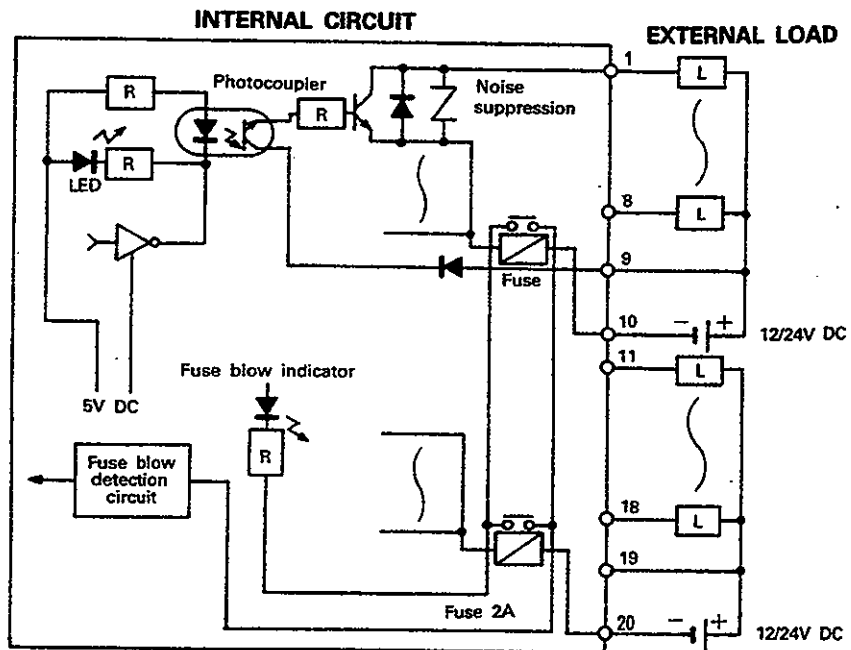
When a pressure displacement type connector is necessary, user should prepare it referring to Section 1 (8) (Type: FCN-361J040-AU (connector), FCN-360C040-B (cover))

3. OUTPUT MODULE SPECIFICATIONS

3.19 Type AY50 Output Module (Sink Loading)

Transistor Output		Type	AY50	Front View mm(inch)
Specifications				
Output points			16 points	
Insulation system			Photocoupler	
Rated load voltage			12/24V DC	
Operating load voltage range			10.2 to 30V DC	
Max. load current			0.5A/points, 2A/common	
Max. inrush current			7A 10ms or shorter, 3.5A 100ms or shorter	
Leakage current (OFF)			0.1mA or lower	
Max. voltage drop (ON)			0.9V (TYP.) 0.5A, 1.5V (MAX.) 0.5A	
Response time	OFF → ON		2ms or less	
	ON → OFF		2ms or less (resistive load)	
Internal current consumption (5V DC)			115mA (TYP. all points ON)	
External power supply requirement	Voltage		12/24V DC (10.2 to 30V DC)	
	Current		65mA (TYP. 24V DC per common)	
Noise suppression			Varistor (52 to 62V)	
Fuse rating			2A fast blow fuse (1 fuse common) type	
Fuse blow indicator			LED on unit front. Signal to PC CPU	
Common terminal arrangement			8 points/common (common terminal: TB10, TB20)	
Indication			1 LED per point	
Connection method			20-point removable terminal block (M3 × 6mm metric screws)	
Applicable wire size			0.75 to 2mm ² (18 to 14 AWG) (tightening torque: 7kg·cm (0.505lb-ft))	
Applicable solderless terminal			1.25-S, 1.25-YS3A, 2-S3, 2-YS3A, V1.25-S, V1.25-YS3A, V2-S3, V2-YS3A	
			Weight	0.42kg (0.92lbs)

Terminal No.	Signal NO.
TB1	Y00
TB2	Y01
TB3	Y02
TB4	Y03
TB5	Y04
TB6	Y05
TB7	Y06
TB8	Y07
TB9	12/24V DC
TB10	0V
TB11	Y08
TB12	Y09
TB13	Y0A
TB14	Y0B
TB15	Y0C
TB16	Y0D
TB17	Y0E
TB18	Y0F
TB19	12/24V DC
TB20	0V



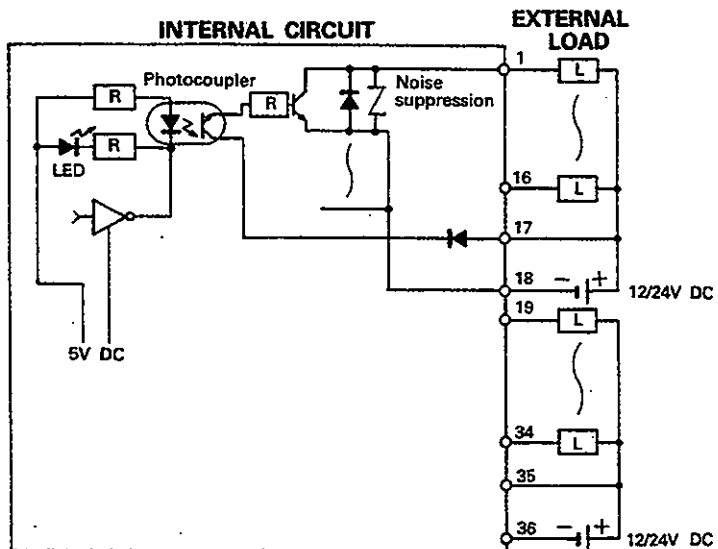
3. OUTPUT MODULE SPECIFICATIONS



3.20 Type AY51 Output Module (Sink Loading)

Transistor Output		Type	AY51	Front View mm(inch)
Specifications				
Output points			32 points	
Insulation system			Photocoupler	
Rated load voltage			12/24V DC	
Operating load voltage range			10.2 to 30V DC	
Max. load current			0.5A/point, 4A/common *(3.3A/common)	
Max. inrush current			4A 10ms or shorter	
Leakage current (OFF)			0.1mA or lower	
Max. voltage drop (ON)			0.9V (TYP) 0.5A, 1.5V (MAX.) 0.5A	
Response time	OFF → ON		2ms or less	
	ON → OFF		2ms or less (resistive load)	
Internal current consumption (5V DC)			230mA (TYP. all points ON)	
External power supply requirement	Voltage		12/24V DC (10.2 to 30V DC)	
	Current		50mA (24V DC TYP. per common)	
Noise suppression			Varistor (52 to 62V)	
Common terminal arrangement			16 points/common (common terminal: TB18, TB36)	
Indication			1 LED per point	
Connection method			38-point removable terminal block (M3 × 6mm metric screws)	
Applicable wire size			0.75 to 2mm ² (18 to 14 AWG) (tightening torque: 7kg·cm (0.505lb·ft))	
Applicable solderless terminal			1.25-S, 1.25-YS3A, 2-S3, 2-YS3A, V1.25-S, V1.25-YS3A, V2-S3, V2-YS3A	
			Weight	0.53kg (1.17lbs)

Terminal No.	Signal NO.	Terminal No.	Signal NO.
TB1	Y00	TB21	Y12
TB2	Y01	TB22	Y13
TB3	Y02	TB23	Y14
TB4	Y03	TB24	Y15
TB5	Y04	TB25	Y16
TB6	Y05	TB26	Y17
TB7	Y06	TB27	Y18
TB8	Y07	TB28	Y19
TB9	Y08	TB29	Y1A
TB10	Y09	TB30	Y1B
TB11	Y0A	TB31	Y1C
TB12	Y0B	TB32	Y1D
TB13	Y0C	TB33	Y1E
TB14	Y0D	TB34	Y1F
TB15	Y0E	TB35	12/24V DC
TB16	Y0F	TB36	0V
TB17	12/24V DC	TB37	Not used
TB18	0V	TB38	Not used
TB19	Y10		
TB20	Y11		



*: 3.3A/common when the output module is used next to the power supply module.

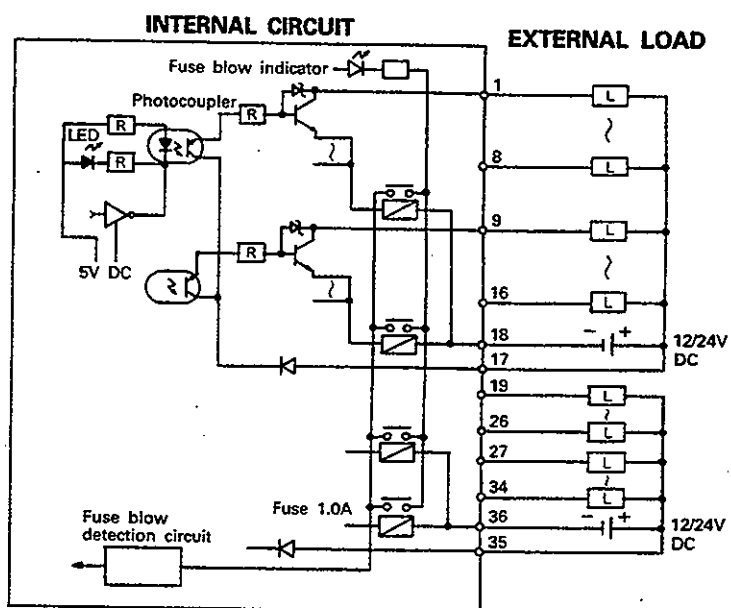
3. OUTPUT MODULE SPECIFICATIONS



3.21 Type AY51-S1 Transistor Output Module (Sink Loading)

Transistor Output		Type	AY51-S1	Front View mm(inch)
Specifications				
Output points			32 points	
Insulation system			Photocoupler	
Rated load voltage			12/24V DC	
Operating load voltage range			10.2 to 30V DC	
Max. load current			0.3A/points, 2A/common (1A/fuse common)	
Max. inrush current			3A/point, 10msec or less	
Leakage current (OFF)			0.1mA or lower	
Max. voltage drop (ON)			1V DC(TYP) 0.3A, 1.5V DC(MAX) 0.3A	
Response time	OFF → ON		2msec or less	
	ON → OFF		2msec or less (resistive load)	
Internal current consumption (5V DC)			310mA (TYP. all points ON)	
External power supply requirement	Voltage		12/24V DC (10.2 to 30V DC)	
	Current		100mA (24V DC TYP. per common)	
Noise suppression			Transistor built-in zener diode	
Fuse rating			1A fast blow fuse (2fuses per common in 8 point units) MP-10	
Fuse blow indicator			Provided (LED is turned ON when fuse is blown. Signal is output to a PC CPU.)	
Common terminal arrangement			16 points/common (common terminal: TB18, TB36), 8 points/fuse common	
Indication			1 LED per point	
Connection method			38-point removable terminal block (M3 × 6mm metric screws)	
Applicable wire size			0.75 to 2mm (tightening torque: 7kg·cm (0.05lb·ft))	
Applicable solderless terminal			1.25-3, 1.25-YS3A, 2-S3, 2-YS3A, V1.25-3, V1.25-YS3A, V2-S3, V2-YS3A	
			Weight	0.55kg (1.21lbs)

Terminal No.	Signal NO.	Terminal No.	Signal NO.
TB1	Y00	TB21	Y12
TB2	Y01	TB22	Y13
TB3	Y02	TB23	Y14
TB4	Y03	TB24	Y15
TB5	Y04	TB25	Y16
TB6	Y05	TB26	Y17
TB7	Y06	TB27	Y18
TB8	Y07	TB28	Y19
TB9	Y08	TB29	Y1A
TB10	Y09	TB30	Y1B
TB11	Y0A	TB31	Y1C
TB12	Y0B	TB32	Y1D
TB13	Y0C	TB33	Y1E
TB14	Y0D	TB34	Y1F
TB15	Y0E	TB35	12/24V DC
TB16	Y0F	TB36	0V
TB17	12/24V DC	TB37	Not used
TB18	0V	TB38	Not used
TB19	Y10		
TB20	Y11		

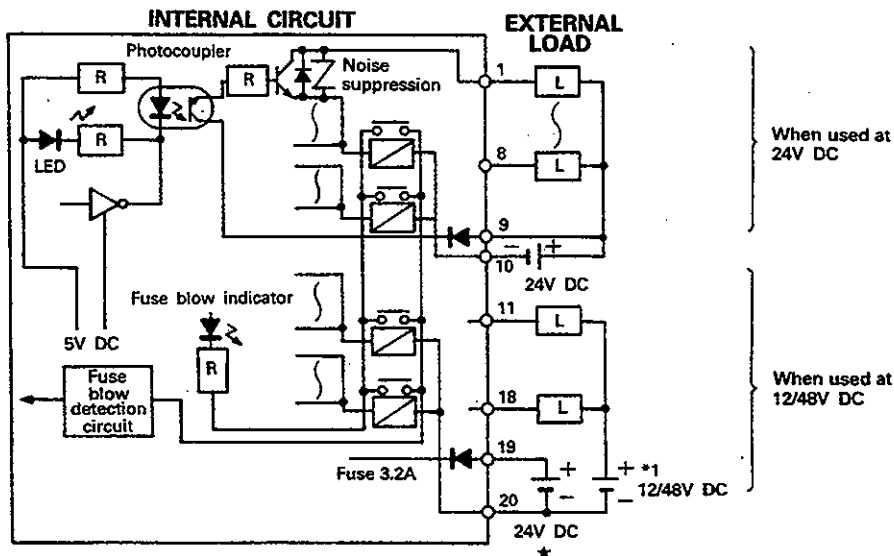


3. OUTPUT MODULE SPECIFICATIONS

3.22 Type AY60 Output Module (Sink Loading)

Transistor Output		Type	AY60	Front View mm(inch)
Specifications				
Output points			16 points	
Insulation system			Photocoupler	
Rated load voltage			24V DC/(12/48V)*1	
Operating load voltage range			21.6 to 26.4V DC (10.2 to 56V DC)*1	
Max. load current			2A/points, 5A/common (3A/fuse) *(3A/common)	
Max. inrush current			4A 100ms or shorter, 8A 10ms or shorter	
Leakage current (OFF)			0.1mA or lower	
Max. voltage drop (ON)			1.5V (2A)	
Response time	OFF → ON		2ms or less	
	ON → OFF		2ms or less (resistive load)	
Internal current consumption (5V DC)			115mA (TYP. all points ON)	
External power supply requirement	Voltage		24V DC (21.6 to 26.4V DC)	
	Current		65mA (24V DC TYP. per common)	
Noise suppression			Varistor (108 to 132V)	
Fuse rating			3.2A fast blow fuse (2 fuse per common) type MP-32	
Fuse blow indicator			LED on unit front. Signal to PC CPU	
Common terminal arrangement			8 points/common (common terminal: TB10, TB20)	
Indication			1 LED per point	
Connection method			20-point removable terminal block (M3 × 6mm metric screws)	
Applicable wire size			0.75 to 2mm ² (18 to 14 AWG) (tightening torque: 7kg-cm (0.505lb-ft))	
Applicable solderless terminal			1.25-3, 1.25-YS3A, 2-S3, 2-YS3A, V1.25-3, V1.25-YS3A, V2-S3, V2-YS3A	
			Weight	0.64kg (1.41lbs)

Terminal No.	Signal NO.
TB1	Y00
TB2	Y01
TB3	Y02
TB4	Y03
TB5	Y04
TB6	Y05
TB7	Y06
TB8	Y07
TB9	24V DC
TB10	0V
TB11	Y08
TB12	Y09
TB13	Y0A
TB14	Y0B
TB15	Y0C
TB16	Y0D
TB17	Y0E
TB18	Y0F
TB19	24V DC
TB20	0V



*1: 24V DC power (marked ★) is required separately as the external supply power when 12/48V DC power is used as the load power. In this case, note that the negative poles are at the same potential as shown.

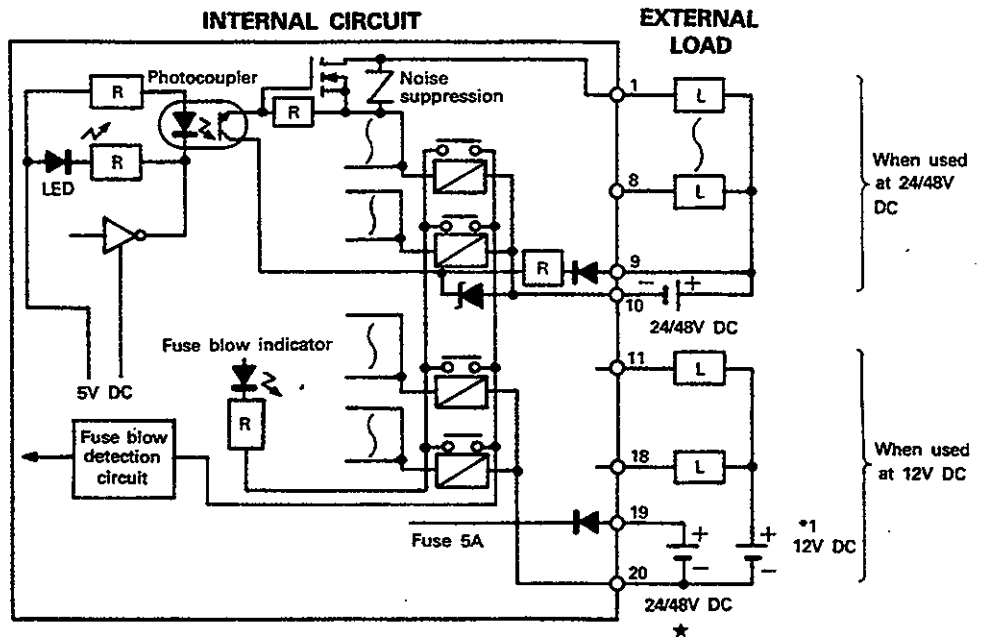
*: 3A/common when the output module is used next to the power supply module.

3. OUTPUT MODULE SPECIFICATIONS

3.23 Type AY60S Output Module (Sink Loading)

Transistor Output		Type	AY60S	Front View mm(inch)
Specifications				
Output points			16 points	
Common terminal arrangement			8 points/common (common terminal: TB10, TB20)	
Insulation system			Photocoupler	
Rated load voltage			24/48V DC/(12V DC)*1	
Max. load current			2A/points, 6.4A/common (5A/fuse)*2 (5A/common)	
Operating load voltage range			21.6 to 52.8V DC (10.2 to 52.8V DC)*1	
Max. inrush current			4A 100ms or shorter, 8A 10ms or shorter	
Leakage current (OFF)			0.1mA or lower	
Max. voltage drop (ON)			1V (2A)	
Response time	OFF → ON		1ms or less	
	ON → OFF		3ms or less (resistive load)	
Noise suppression			Varistor (90 to 110V)	
Fuse rating			5A fast blow fuse (2 fuse per common) type MP-50	
Indication			1 LED per point	
Fuse blow indicator			LED on unit front. Signal to PC CPU	
Internal current consumption (5V DC)			75mA (TYP. all points ON)	
External power supply requirement	Voltage		24/48V DC (21.6 to 52.8V DC)	
	Current		3mA (TYP. 24V DC per common)	
Connection method			20-point removable terminal block (M3 × 6mm metric screws)	
Applicable wire size			0.75 to 2mm ² (18 to 14 AWG) (tightening torque: 7kg·cm (0.505lb·ft))	
Applicable solderless terminal			1.25-3, 1.25-YS3A, 2-S3, 2-YS3A, V1.25-3, V1.25-YS3A, V2-S3, V2-YS3A	
			Weight	0.66kg (1.45lbs)

Terminal No.	Signal NO.
TB1	Y00
TB2	Y01
TB3	Y02
TB4	Y03
TB5	Y04
TB6	Y05
TB7	Y06
TB8	Y07
TB9	24V DC
TB10	0V
TB11	Y08
TB12	Y09
TB13	Y0A
TB14	Y0B
TB15	Y0C
TB16	Y0D
TB17	Y0E
TB18	Y0F
TB19	24V DC
TB20	0V



*1: When this unit is used at 12V DC load power source, another 24/48V DC power source, is required. In this case, caution should be exercised because the negative (-) side is at the same potential.

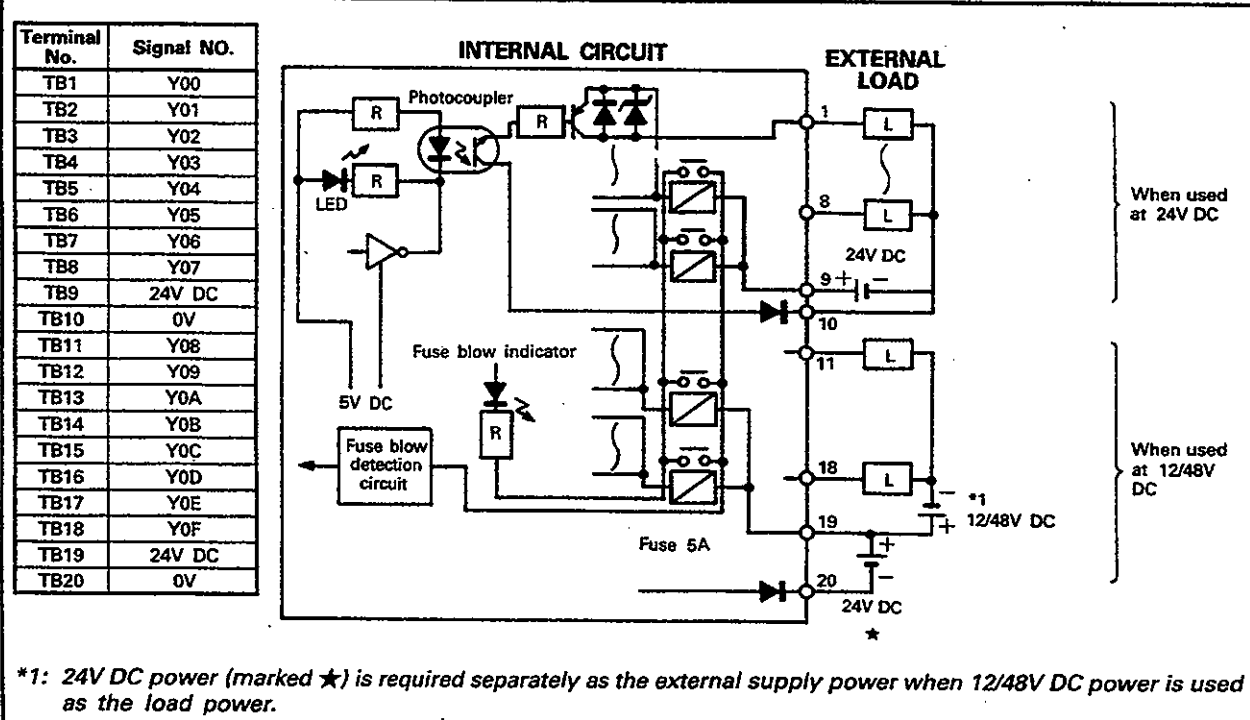
*2: 5A/common when the output module is next to the power supply module.

3. OUTPUT MODULE SPECIFICATIONS



3.24 Type AY60E Output Module (Source Loading)

Transistor Output		Type	AY60E	Front View mm(inch)
Specifications				
Output points			16 points	
Insulation system			Photocoupler	
Rated load voltage			24V DC/(12/48V)*1	
Operating load voltage range			21.6 to 26.4V DC (10.2 to 56V DC)*1	
Max. load current			12/24V DC 2A/point, 48V DC 0.8A/point *(3A/common)	
Max. inrush current			4A 100ms or shorter, 8A 10ms or shorter	
Leakage current (OFF)			0.1mA or lower	
Max. voltage drop (ON)			1.5V (2A)	
Response time	OFF → ON		2ms or less	
	ON → OFF		2ms or less (resistive load)	
Internal current consumption (5V DC)			115mA (TYP. all points ON)	
External power supply requirement	Voltage		24V DC (21.6 to 26.4V DC)	
	Current		65mA (24V DC TYP. per common)	
Noise suppression			Diode for absorbing noise	
Fuse rating			5A fast blow fuse (1 fuse per common) type	
Fuse blow indicator			LED on unit front. Signal to PC CPU	
Common terminal arrangement			8 points/common (common terminal: TB10, TB20)	
Indication			1 LED per point	
Connection method			20-point removable terminal block (M3 × 6mm metric screws)	
Applicable wire size			0.75 to 2mm ² (18 to 14 AWG) (tightening torque: 7kg-cm (0.505lb-ft))	
Applicable solderless terminal			1.25-3, 1.25-YS3A, 2-S3, 2-YS3A, V1.25-3, V1.25-YS3A, V2-S3, V2-YS3A	
			Weight	0.63kg (1.38lbs)



*: 3A/common when the output module is used next to the power supply module.

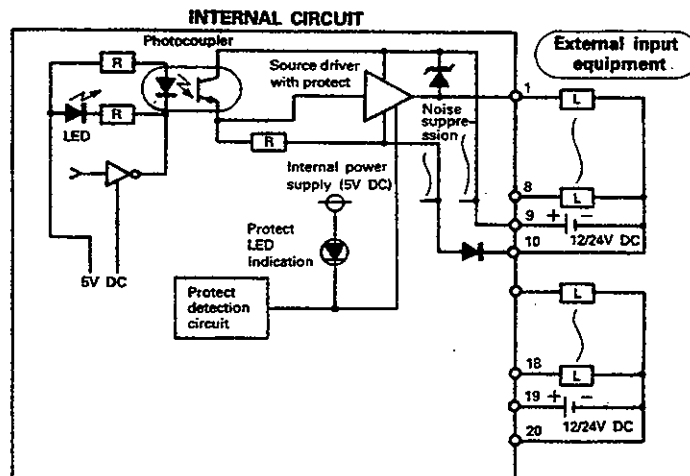
3. OUTPUT MODULE SPECIFICATIONS



3.25 Type AY60EP Output Module (Source Loading, Circuit protection provided)

Transistor Output		Type	AY60EP	Front View mm(inch)
Specifications				
Output points			16 points	
Insulation system			Photocoupler	
Rated load voltage			12/24V DC	
Operating load voltage range			10.2 to 26.4V DC	
Max. load current			2A/point, 0.8A/point (60% ON, 55°C)	
Max. inrush current			No limit (short protect)	
Leakage current (OFF)			1.0mA or lower	
Max. voltage drop (ON)			1.6V (TYP.) 2.0A, 2.0V (MAX) 2.0A	
Response time	OFF → ON		0.5ms or less	
	ON → OFF		1.5ms or less (resistive load)	
External power supply requirement	Voltage		12/24V DC(10.2 to 26.4V DC)	
	Current		110mA (TYP. 24V DC/common)	
Noise suppression			Diode for absorbing noise	
Protect		Provided (thermal and short-circuit protects) Thermal protect is detected in 2 points unit. When thermal protect occurs at an even device number of each terminal and output is turned OFF, output of the following odd device number is turned OFF simultaneously. When thermal protect occurs at an odd device number and output is turned OFF, output of the previous even device number is turned OFF simultaneously.		
Protect reset		Automatic reset (reset by canceling thermal protect)		
Common terminal arrangement		8 points/common (common terminal: TB9, TB19)		
Indication		1 LED per point		
Protect detection indication		Provided (LED is turned ON when thermal protect of short-circuit protect occurs. Fuse blow signal is output to a PC CPU).		
Internal current consumption (5V DC)		115mA (TYP. all points ON)		
Connection method		20-point removable terminal block (M3 X 6mm metric screws)		
Applicable wire size		0.75 to 2mm ² (18 to 14 AWG) (tightening torque: 7kg-cm (0.505lb-ft))		
Applicable solderless terminal		1.25-3, 1.25-YS3A, 2-S3, 2-YS3A, V1.25-3, V1.25-YS3A, V2-S3, V2-YS3A,		
			Weight	0.55kg (1.21lbs)

Terminal No.	Output Signal No.
TB1	Y00
TB2	Y01
TB3	Y02
TB4	Y03
TB5	Y04
TB6	Y05
TB7	Y06
TB8	Y07
TB9	12/24V DC
TB10	0V
TB11	Y08
TB12	Y09
TB13	Y0A
TB14	Y0B
TB15	Y0C
TB16	Y0D
TB17	Y0E
TB18	Y0F
TB19	12/24V DC
TB20	0V



- *1: Total length of cables connected to the external power supply and load should be 40 m or less. If it exceeds 40 m, output devices in the module may not be protected when output is short-circuited.
- *2: When an external load remains short-circuited for a longtime, internal circuit may be broken. It is recommended to detect an occurrence state of short-circuit protect by using a sequence program and turn OFF the output of corresponding device number after a short-circuit protect occurs. (Time limit for short-circuit is about 48 hours.)

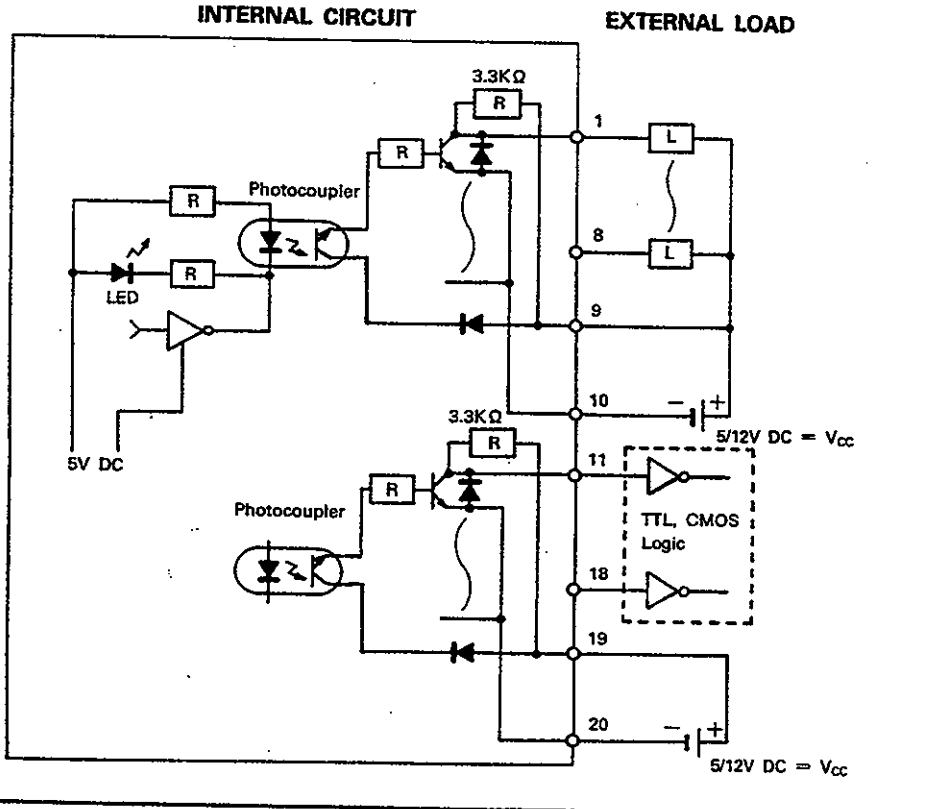
3. OUTPUT MODULE SPECIFICATIONS



3.26 Type AY70 Output Module (Sink Loading)

TTL, CMOS Output		Type	AY70	Front View mm(inch)
Specifications				
Output points			16 points	
Insulation system			Photocoupler	
Rated load voltage			5/12V DC	
Operating load voltage range			4.5 to 15V DC	
Max. load current			16mA/point, 128mA/common	
Max. inrush current			50mA 10ms	
Leakage current (OFF)			VOH: 3.5V ($V_{CC} = 5V$, $I_{OH} = 0.4mA$)	
Max. voltage drop at ON			VOL: 0.2V ($I_{OL} = 16mA$)	
Response time	OFF → ON		1ms or less	
	ON → OFF		1ms or less	
Internal current consumption (5V DC)			100mA (TYP. all points ON)	
External power supply requirement	Voltage		5/12V DC (4.5 to 15V DC)	
	Current		55mA (12V DC TYP. per common)	
Common terminal arrangement			8 points/common (common terminal: TB10, TB20)	
Indication			1 LED per point	
Connection method			20-point removable terminal block (M3 × 6mm metric screws)	
Applicable wire size			0.75 to 2mm ² (18 to 14 AWG) (tightening torque: 7kg·cm (0.505lb·ft))	
Applicable solderless terminal			1.25-3, 1.25-YS3A, 2-S3, 2-YS3A, V1.25-3, V1.25-YS3A, V2-S3, V2-YS3A	
			Weight	0.36kg (0.80lbs)

Terminal No.	Signal No.
TB1	Y00
TB2	Y01
TB3	Y02
TB4	Y03
TB5	Y04
TB6	Y05
TB7	Y06
TB8	Y07
TB9	5/12V DC
TB10	0V
TB11	Y08
TB12	Y09
TB13	Y0A
TB14	Y0B
TB15	Y0C
TB16	Y0D
TB17	Y0E
TB18	Y0F
TB19	5/12V DC
TB20	0V

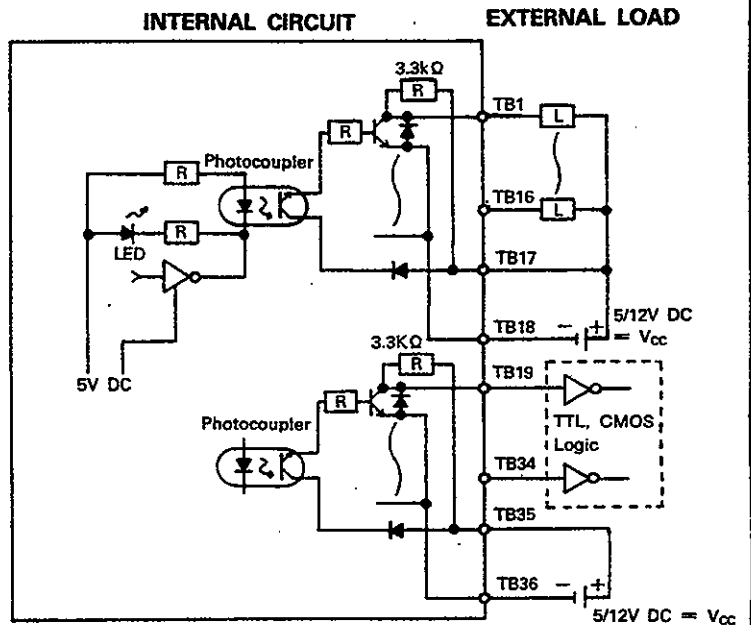


3. OUTPUT MODULE SPECIFICATIONS

3.27 Type AY71 Output Module (Sink Loading)

TTL, CMOS Output		Type	AY71	Front View mm(inch)
Specifications				
Output points			32 points	
Insulation system			Photocoupler	
Rated load voltage			5/12V DC	
Operating load voltage range			4.5 to 15V DC	
Max. load current			16mA/point, 256mA/common (sink load)	
Max. inrush current			50mA 10ms	
Leakage current (OFF)			VOH: 3.5V ($V_{CC} = 5V, I_{OH} = 0.4mA$)	
Max. voltage drop (ON)			VOL: 0.2V DC ($I_{OL} = 16mA$)	
Response time	OFF → ON		1ms or less	
	ON → OFF		1ms or less	
Internal current consumption (5V DC)			200mA (TYP. all points ON)	
External power supply requirement	Voltage		5/12V DC (4.5 to 15V DC)	
	Current		100mA (12V DC TYP. per common)	
Common terminal arrangement			16 points/common (common terminal: TB18, TB36)	
Indication			1 LED per point	
Connection method			38-point removable terminal block (M3 × 6mm metric screws)	
Applicable wire size			0.75 to 2mm ² (18 to 14 AWG) (tightening torque: 7kg·cm (0.505lb-ft))	
Applicable solderless terminal			1.25-3, 1.25-YS3A, 2-S3, 2-YS3A, V1.25-3, V1.25-YS3A, V2-S3, V2-YS3A	
			Weight	0.44kg (0.97lbs)

Terminal No.	Signal NO.	Terminal No.	Signal NO.
TB1	Y00	TB21	Y12
TB2	Y01	TB22	Y13
TB3	Y02	TB23	Y14
TB4	Y03	TB24	Y15
TB5	Y04	TB25	Y16
TB6	Y05	TB26	Y17
TB7	Y06	TB27	Y18
TB8	Y07	TB28	Y19
TB9	Y08	TB29	Y1A
TB10	Y09	TB30	Y1B
TB11	Y0A	TB31	Y1C
TB12	Y0B	TB32	Y1D
TB13	Y0C	TB33	Y1E
TB14	Y0D	TB34	Y1F
TB15	Y0E	TB35	5/12V DC
TB16	Y0F	TB36	0V
TB17	5/12V DC	TB37	Not used
TB18	0V	TB38	Not used
TB19	Y10		
TB20	Y11		



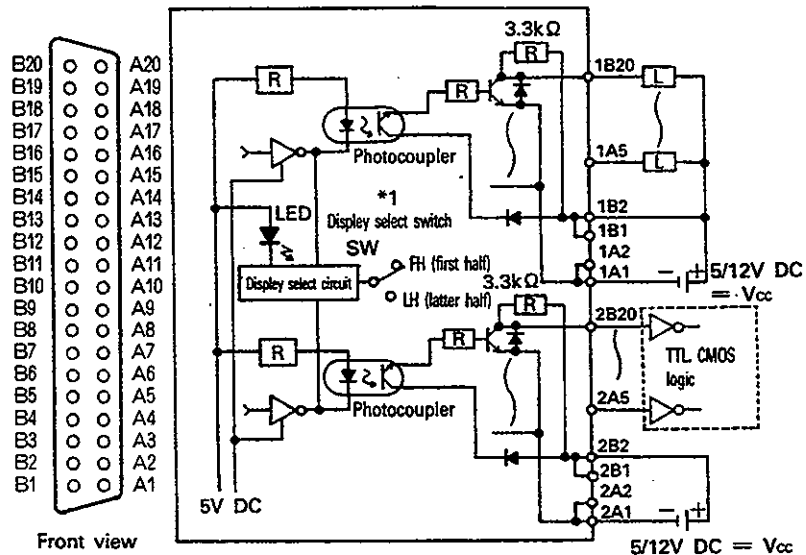
3. OUTPUT MODULE SPECIFICATIONS



3.28 Type AY72 Transistor Output Module (For TTL, CMOS: Sink Loading)

Specifications	Type	AY72	Front View mm(inch)
Output points		64 points	
Insulation system		Photocoupler	
Rated load voltage		5/12V DC	
Operating load voltage range		4.5 to 15V DC	
Max. load current		16mA/point, 512mA/common(sink loading)	
Max. inrush current		50mA, 10msec	
Leakage current (OFF)		V_{OH} : 3.5V DC ($V_{CC} = 5V$ DC, $I_{OH} = 0.4mA$)	
Max. voltage drop (ON)		V_{OL} : 0.2V DC ($I_{OL} = 16mA$)	
Response time	OFF → ON	1msec or less	
	ON → OFF	1msec or less	
Internal current consumption (5V DC)		300mA (TYP. all points ON)	
External power supply requirement	Voltage	5/12V DC (4.5 to 15V DC)	
	Current	300mA (12V DC TYP. 1-common ON)	
Common terminal arrangement		32 points/common (common terminal: 1A1, 1A2, 2A1, 2A2)	
Indication		1 LED per point	
Connection method		Two 40-pin connectors (soldered)	
Applicable wire size		0.3 mm ²	
Applicable solderless terminal		Two external wiring connectors	Weight
			0.47kg (1.03lbs)

Pin No.	Signal No. (FH)	Pin No.	Signal No. (LH)
1B20	Y0	2B20	Y20
1B19	Y01	2B21	Y21
1B18	Y02	2B18	Y22
1B17	Y03	2B16	Y23
1B16	Y04	2B16	Y24
1B15	Y05	2B15	Y25
1B14	Y06	2B14	Y26
1B13	Y07	2B13	Y27
1B12	Y08	2B12	Y28
1B11	Y09	2B11	Y29
1B10	Y0A	2B10	Y2A
1B9	Y0B	2B9	Y2B
1B8	Y0C	2B8	Y2C
1B7	Y0D	2B7	Y2D
1B6	Y0E	2B6	Y2E
1B5	Y0F	2B5	Y2F
1B4	Not used	2B4	Not used
1B3	Not used	2B3	Not used
1B2	5/12V DC	2B2	5/12V DC
1B1	5/12V DC	2B1	5/12V DC
1A20	Y10	2A20	Y30
1A19	Y11	2A19	Y31
1A18	Y12	2A18	Y32
1A17	Y13	2A17	Y33
1A16	Y14	2A16	Y34
1A15	Y15	2A15	Y35
1A14	Y16	2A14	Y36
1A13	Y17	2A13	Y37
1A12	Y18	2A12	Y38
1A11	Y19	2A11	Y39
1A10	Y1A	2A10	Y3A
1A9	Y1B	2A9	Y3B
1A8	Y1C	2A8	Y3C
1A7	Y1D	2A7	Y3D
1A6	Y1E	2A6	Y3E
1A5	Y1F	2A5	Y3F
1A4	Not used	2A4	Not used
1A3	Not used	2A3	Not used
1A2	0V	2A2	0V
1A1	0V	2A1	0V



- *1: The statuses of the first 32 outputs (Y00 to Y1F) are indicated by the LEDs when the toggle switch is set to FH (for first half). The second 32 output (Y20 to Y3F) are indicated when LH is selected.
- *2: The A and B pin numbers are reverse of those of silk screen printing on the unit. The A number of the pin arrangement chart become the B numbers on the module.
- *3: Pin numbers 1[] indicate the upper connector pins and 2[] the lower connector pins.
- *4: AY72 is provided with two soldered type connector jacks. When a pressure displacement type connector is necessary, user should prepare it referring to Section 1 (8) (Type: FCN-361J040-AU (connector), FCN-360C040-B (cover))

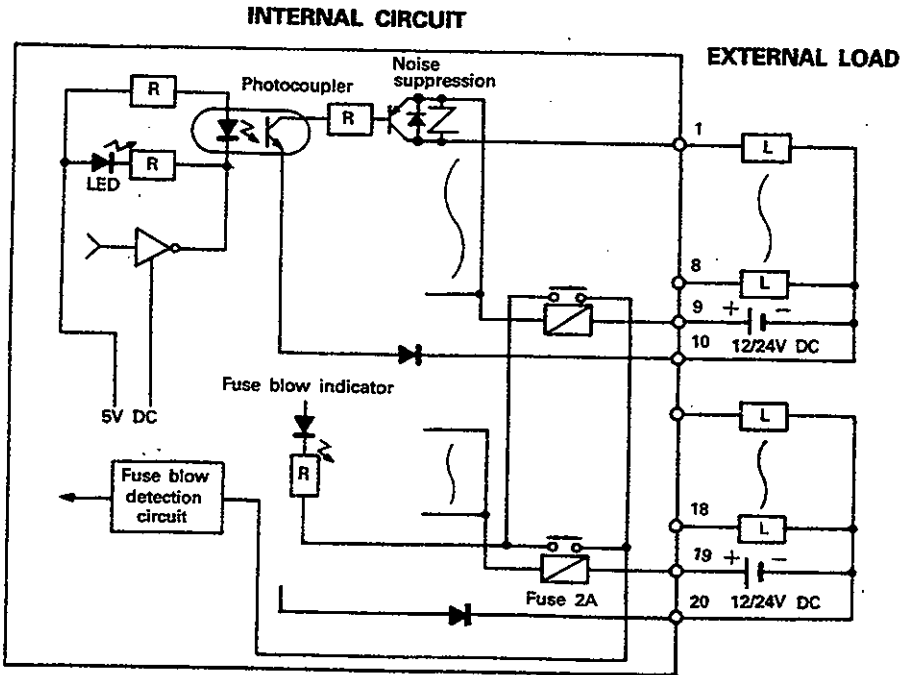
3. OUTPUT MODULE SPECIFICATIONS



3.29 Type AY80 Output Module (Source Loading)

Transistor Source Output		Type	AY80	Front View mm(inch)
Specifications				
Output points			16 points	
Insulation system			Photocoupler	
Rated load voltage			12/24V DC	
Max. load current			0.5A/points, 2A/common	
Operating load voltage range			10.2 to 30V DC	
Max. inrush current			7A 10ms or shorter, 3.5A 100ms or shorter	
Leakage current (OFF)			0.1mA or lower	
Max. voltage drop (ON)			1.5V (MAX.) 0.5A	
Response time	OFF → ON		2ms or less	
	ON → OFF		2ms or less (resistive load)	
Noise suppression			Varistor (52 to 62V)	
Fuse rating			2A fast blow fuse (1 fuse per common) type	
Common terminal arrangement			8 points/common (common terminal: TB9, TB19)	
Indication			1 LED per point	
Fuse blow indicator			LED on unit front. Signal to PC CPU	
Internal current consumption (5V DC)			115mA (TYP. all points ON)	
External power supply requirement	Voltage		12/24V DC (10.2 to 40V DC)	
	Current		60mA (24V DC TYP. per common)	
Connection method			20-point removable terminal block (M3 × 6mm metric screws)	
Applicable wire size			0.75 to 2mm ² (18 to 14 AWG) (tightening torque: 7kg·cm (0.505lb·ft))	
Applicable solderless terminal			1.25-3, 1.25-YS3A, 2-S3, 2-YS3A, V1.25-3, V1.25-YS3A, V2-S3, V2-YS3A	
			Weight	0.42kg (0.92lbs)

Terminal No.	Signal NO.
TB1	Y00
TB2	Y01
TB3	Y02
TB4	Y03
TB5	Y04
TB6	Y05
TB7	Y06
TB8	Y07
TB9	12/24V DC
TB10	0V
TB11	Y08
TB12	Y09
TB13	Y0A
TB14	Y0B
TB15	Y0C
TB16	Y0D
TB17	Y0E
TB18	*Y0F
TB19	12/24V DC
TB20	0V



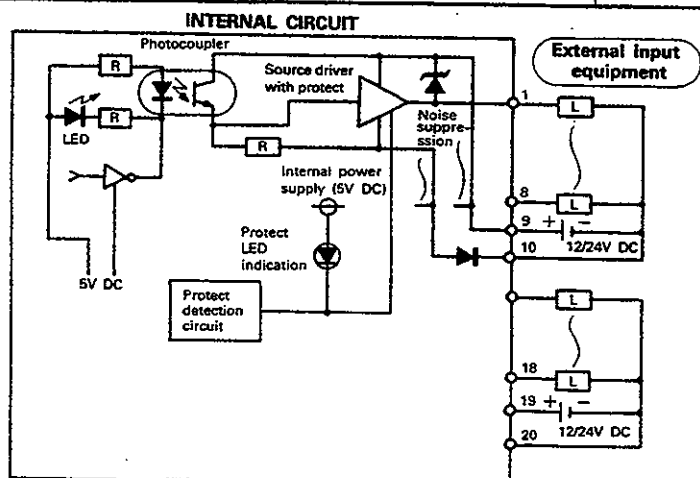
3. OUTPUT MODULE SPECIFICATIONS



3.30 Type AY80EP Output Module (Source Loading, Circuit protection provided)

Transistor Output		Type	AY80EP	Front View mm(inch)
Specifications				
Output points			16 points	
Insulation system			Photocoupler	
Rated load voltage			12/24V DC	
Operating load voltage range			10.2 to 26.4V DC	
Max. load current			0.8A/point, 0.8A/point (60% ON, 55°C)	
Max. inrush current			No limit (short protect)	
Leakage current (OFF)			1.0mA or lower	
Max. voltage drop (ON)			1V (TYP.) 0.8A, 1.5V (MAX) 0.8A	
Response time	OFF → ON		0.5ms or less	
	ON → OFF		1.5ms or less	
External power supply requirement	Voltage		12/24V DC (10.2 to 26.4V DC)	
	Current		100mA (TYP. 24V DC per common)	
Noise suppression			Diode for absorbing noise	
Protect			Provided (thermal and short-circuit protects) Thermal protect is detected in 2 points unit. When thermal protect occurs at an even device number of each terminal and output is turned OFF, output of the following odd device number is turned OFF simultaneously. When thermal protect occurs at an odd device number and output is turned OFF, output of the previous even device number is turned OFF simultaneously.	
Protect reset			Automatic reset (reset by canceling thermal protect)	
Common terminal arrangement			8 points/common (common terminal: TB9, TB19)	
Indication			1 LED per point	
Protect detection indication			Provided (LED is turned ON when thermal protect of short-circuit protect occurs. Fuse blow signal is output to a PC CPU).	
Internal current consumption (5V DC)			115mA (TYP. all points ON)	
Connection method			20-point removable terminal block (M3 × 6mm metric screws)	
Applicable wire size			0.75 to 2mm ² (18 to 14 AWG) (tightening torque: 7kg·cm (0.505lb·ft))	
Applicable solderless terminal			1.25-3, 1.25-YS3A, 2-S3, 2-YS3A, V1.25-3, V1.25-YS3A, V2-S3, V2-YS3A,	
			Weight	0.55kg (1.21lbs)

Terminal No.	Output Signal No.
TB1	Y00
TB2	Y01
TB3	Y02
TB4	Y03
TB5	Y04
TB6	Y05
TB7	Y06
TB8	Y07
TB9	12/24V DC
TB10	0V
TB11	Y08
TB12	Y09
TB13	Y0A
TB14	Y0B
TB15	Y0C
TB16	Y0D
TB17	Y0E
TB18	Y0F
TB19	12/24V DC
TB20	0V



*1: Total length of cables connected to the external power supply and load should be 40 m or less. If it exceeds 40 m, output devices in the module may not be protected when output is short-circuited.

*2: When an external load remains short-circuited for a longtime, internal circuit may be broken. It is recommended to detect an occurrence state of short-circuit protect by using a sequence program and turn OFF the output of corresponding device number after a short-circuit protect occurs. (Time limit for short-circuit is about 48 hours.)

3. OUTPUT MODULE SPECIFICATIONS

3.31 Type AY81 Output Module (Source Loading)

Transistor Source Output		Type	AY81	Front View mm(inch)
Specifications				
Output points			32 points	
Common terminal arrangement			16 points/common	
Insulation system			Photocoupler	
Rated load voltage			12/24V DC	
Max. load current			0.5A/point, 4A/common *(3A/common)	
Operating load voltage range			10.2 to 30V DC	
Max. inrush current			4A 10ms or shorter	
Leakage current (OFF)			0.1mA or lower	
Max. voltage drop (ON)			1.5V (MAX.) 0.5A	
Response time	OFF → ON		2ms or less	
	ON → OFF		2ms or less (resistive load)	
Noise suppression			Varistor (52 to 62V)	
Fuse rating			Not provided	
Indication			1 LED per point	
Internal current consumption (5V DC)			230mA (TYP. all points ON)	
External power supply requirement	Voltage		12/24V DC (10.2 to 30V DC)	
	Current		50mA (24V DC TYP. per common)	
Connection method			38-point removable terminal block (M3 × 6mm metric screws)	
Applicable wire size			0.75 to 2mm ² (18 to 14 AWG) (tightening torque: 7kg·cm (0.505lb-ft))	
Applicable solderless terminal			1.25-3, 1.25-YS3A, 2-S3, 2-YS3A, V1.25-3, V1.25-YS3A, V2-S3, V2-YS3A	
			Weight	0.53kg (1.17lbs)

Terminal No.	Signal NO.	Terminal No.	Signal NO.
TB1	Y00	TB21	Y12
TB2	Y01	TB22	Y13
TB3	Y02	TB23	Y14
TB4	Y03	TB24	Y15
TB5	Y04	TB25	Y16
TB6	Y05	TB26	Y17
TB7	Y06	TB27	Y18
TB8	Y07	TB28	Y19
TB9	Y08	TB29	Y1A
TB10	Y09	TB30	Y1B
TB11	Y0A	TB31	Y1C
TB12	Y0B	TB32	Y1D
TB13	Y0C	TB33	Y1E
TB14	Y0D	TB34	Y1F
TB15	Y0E	TB35	12/24V DC
TB16	Y0F	TB36	0V
TB17	12/24V DC	TB37	Not used
TB18	0V	TB38	Not used
TB19	Y10		
TB20	Y11		

INTERNAL CIRCUIT

EXTERNAL LOAD

*: 3A/common when the output module is used next to the power supply module.

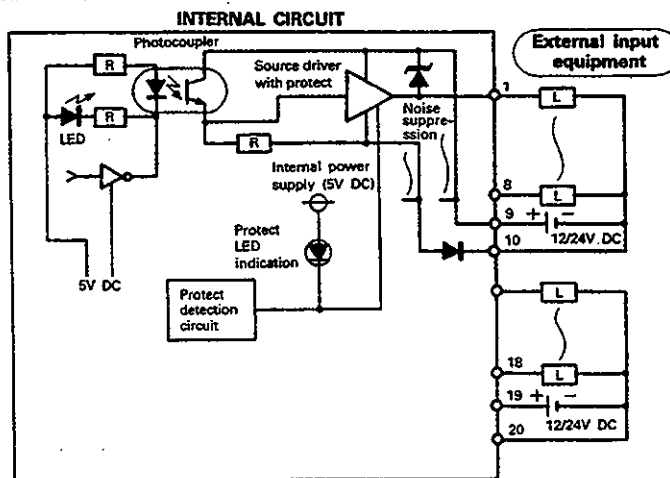
3. OUTPUT MODULE SPECIFICATIONS



3.32 Type AY81EP Output Module (Source Loading, Circuit protection provided)

Type		AY81EP	Front View mm(inch)
Specifications			
Output points		32 points	
Insulation system		Photocoupler	
Rated load voltage		12/24V DC	
Operating load voltage range		10.2 to 26.4V DC	
Max. load current		0.8A/point, 0.4A/point (60% ON, 55°C)	
Max. inrush current		No limit (short protect)	
Leakage current (OFF)		1.0mA or lower	
Max. voltage drop (ON)		1.1V (TYP.) 0.8A, 1.5V (MAX) 0.8A	
Response time	OFF → ON	0.5ms or less	
	ON → OFF	1.5ms or less	
External power supply requirement	Voltage	12/24V DC(10.2 to 26.4V DC)	
	Current	220mA (TYP. 24V DC per common)	
Noise suppression		Diode for absorbing noise	
Protect		Provided (thermal and short-circuit protects) Thermal protect is detected in 2-points unit. When thermal protect occurs at an even device number of each terminal and output is turned OFF, output of the following odd device number is turned OFF simultaneously. When thermal protect occurs at an odd device number and output is turned OFF, output of the previous even device number is turned OFF simultaneously.	
Protect reset		Automatic reset (reset by canceling thermal protect)	
Common terminal arrangement		16 points/common (common terminal: TB9, TB19)	
Indication		1 LED per point	
Protect detection indication		Provided (LED is turned ON when thermal protect of short-circuit protect occurs. Fuse blow signal is output to a PC CPU).	
Internal current consumption (5V DC)		230mA (TYP. all points ON)	
Connection method		38-point removable terminal block (M3 × 6mm metric screws)	
Applicable wire size		0.75 to 2mm ² (18 to 14 AWG) (tightening torque: 7kg·cm (0.505lb·ft))	
Applicable solderless terminal		1.25-3, 1.25-YS3A, 2-S3, 2-YS3A, V1.25-3, V1.25-YS3A, V2-S3, V2-YS3A,	
		Weight	0.72kg (1.58lbs)

Terminal No.	Output Signal No.	Terminal No.	Output Signal No.
TB1	Y00	TB20	Y11
TB2	Y01	TB21	Y12
TB3	Y02	TB22	Y13
TB4	Y03	TB23	Y14
TB5	Y04	TB24	Y15
TB6	Y05	TB25	Y16
TB7	Y06	TB26	Y17
TB8	Y07	TB27	Y28
TB9	Y08	TB28	Y19
TB10	Y09	TB29	Y1A
TB11	Y0A	TB30	Y1B
TB12	Y0B	TB31	Y1C
TB13	Y0C	TB32	Y1D
TB14	Y0D	TB33	Y1E
TB15	Y0E	TB34	Y1F
TB16	Y0F	TB35	12/24V DC
TB17	12/24V DC	TB36	0V
TB18	0V	TB37	Not used
TB19	Y10	TB38	Not used



- *1: Total length of cables connected to the external power supply and load should be 40 m or less. If it exceeds 40 m, output devices in the module may not be protected when output is short-circuited.
- *2: When an external load remains short-circuited for a longtime, internal circuit may be broken. It is recommended to detect an occurrence state of short-circuit protect by using a sequence program and turn OFF the output of corresponding device number after a short-circuit protect occurs. (Time limit for short-circuit is about 48 hours.)

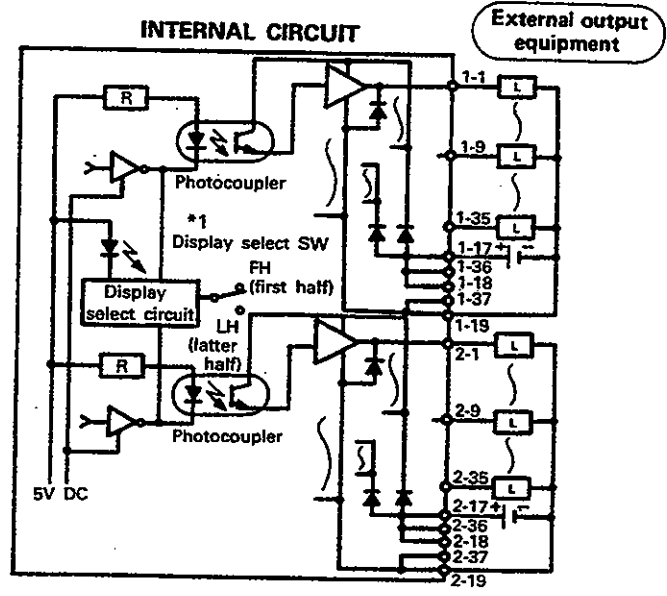
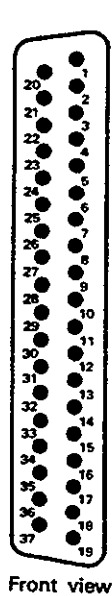
3. OUTPUT MODULE SPECIFICATIONS



3.33 Type AY82EP Output Module (Source Loading, Circuit protection provided)

Transistor Output		Type	AY82EP	Front View mm(inch)
Specifications				
Output points			64 points	
Insulation system			Photocoupler	
Rated load voltage			12/24V DC	
Operating load voltage range			10.2 to 26.4V DC	
Max. load current			0.1A/point, 0.04A/point (60% ON, 55° C)	
Max. inrush current			No limit (short protect)	
Leakage current (OFF)			0.1mA or lower	
Max. voltage drop (ON)			3.5V (0.1A) 2.5V (0.1A TYP.)	
Response time	OFF → ON		0.5ms or shorter	
	ON → OFF		1.5ms or shorter	
External power supply requirement	Voltage		12/24V DC (10.2 to 26.4V DC)	
	Current		Diode for absorbing noise	
Protect		Provided (thermal and short-circuit protect) Thermal protect is detected in 1 point unit. When thermal protect occurs at an 1 point of 1 common, output of all points for corresponded common terminal is turned OFF.		
Protect reset		Automatic veset (veset by canceling thermal protect)		
Common wiring system		32 points/common (common terminal : 1-17, 1-18, 1-36, 2-17, 2-18, 2-36)		
Operation indicator		Changeover display of 32 points by ON display (LED) SW		
Protect detection indication		None		
Internal current consumption (5V DC)		290mA (TYP. all points ON)		
External connection system		Two 40-pin D sub-connectors (soldered)		
Applicable wire size		0.3mm ²		
Accessory		Two external wiring D sub-connectors		Weight
				0.58kg (1.27lbs)

Terminal No.	Output Signal No.	Terminal No.	Output Signal No.
1-1	Y00	2-1	Y20
1-20	Y01	2-20	Y21
1-2	Y02	2-2	Y22
1-21	Y03	2-21	Y23
1-3	Y04	2-3	Y24
1-22	Y05	2-22	Y25
1-4	Y06	2-4	Y26
1-23	Y07	2-23	Y27
1-5	Y08	2-5	Y28
1-24	Y09	2-24	Y29
1-6	Y0A	2-6	Y2A
1-25	Y0B	2-25	Y2B
1-7	Y0C	2-7	Y2C
1-26	Y0D	2-26	Y2D
1-8	Y0E	2-8	Y2E
1-27	Y0F	2-27	Y2F
1-17	12/24V DC	2-17	12/24V DC
1-36	12/24V DC	2-36	12/24V DC
1-18	12/24V DC	2-18	12/24V DC
1-9	Y10	2-9	Y30
1-28	Y11	2-28	Y31
1-10	Y12	2-10	Y32
1-29	Y13	2-29	Y33
1-11	Y14	2-11	Y34
1-30	Y15	2-30	Y35
1-12	Y16	2-12	Y36
1-31	Y17	2-31	Y37
1-13	Y18	2-13	Y38
1-32	Y19	2-32	Y39
1-14	Y1A	2-14	Y3A
1-33	Y1B	2-33	Y3B
1-15	Y1C	2-15	Y3C
1-34	Y1D	2-34	Y3D
1-16	Y1E	2-16	Y3E
1-35	Y1F	2-35	Y3F
1-37	0V	2-37	0V
1-19	0V	2-19	0V



*1: The statuses of the first 32 outputs (Y00 to Y1F) are indicated by the LEDs when the toggle switch is set to FH (for first half). The second 32 outputs (Y20 to Y3F) are indicated when LH is selected.
 *2: Pin numbers 1-19 indicate the upper connector pins and 2-19 the lower connector pins.
 *3: AY82EP is provided with two soldered type connector jacks.
 (Type: DC-37S-N (connector), DC-C8-J13-B1-1 (junction shell) cable protection tube)

4. I/O COMPOSITE MODULE SPECIFICATIONS

MELSEC-A

4. I/O COMPOSITE MODULE SPECIFICATIONS

4.1 A42XY Dynamic I/O Module

The A42XY allows processing of up to 64 inputs and 64 outputs via a single module. The module uses "dynamic scanning" to update its I/O and is primarily designed as a keyboard interface.

4.1.1 Specifications

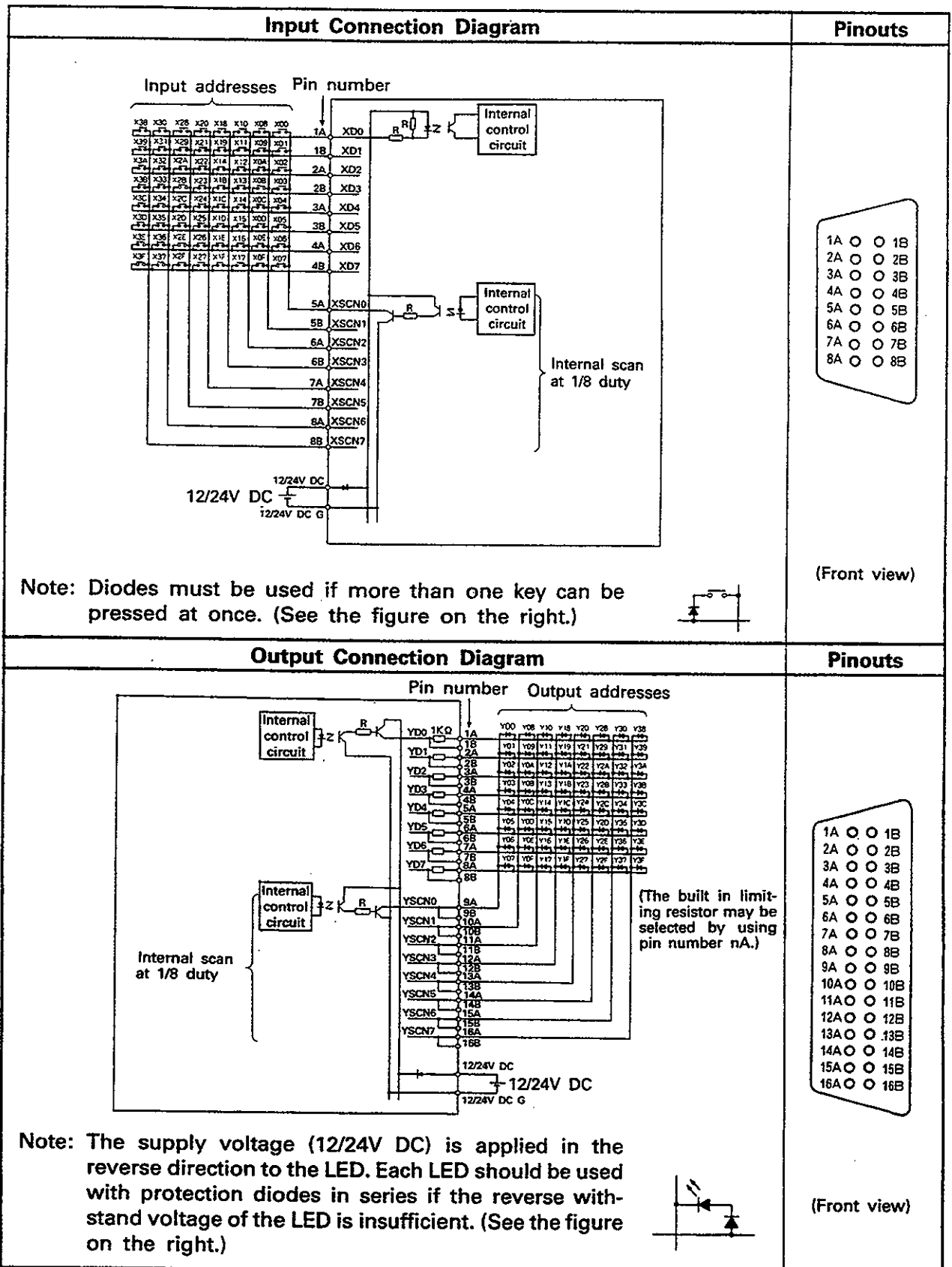
Input Specifications		Output Specifications		Front Panel	
Number of inputs	64	Number of outputs	64		
Number of I/O occupied	64*1				
Insulation method	Photocoupler	Insulation method	Photocoupler		
Input method	Dynamic scan of 8 inputs × 8	Output method	Dynamic scan of 8 outputs × 8		
ON voltage/current	7V DC minimum	Max. output current	50mA per point (built in limiting resistor. (1K Ω) not used)		
OFF voltage/current	3V DC maximum	Max. voltage drop during ON	1.5V on the source side (built in limiting resistor not used) 1V on the sink side		
Input resistance	Approx. 2.4kΩ				
Response time	16ms max.	Response time	16ms max.		
Indication	1 LED per 8 inputs. Batch of 8 inputs selected by rotary switch.	Indication	1 LED per 8 outputs. Batch of 8 outputs selected by rotary switch.		
Max. simultaneously ON	60%	Max. simultaneously ON	60% when built-in 1kΩ limiting resistor		
External connection	16-pin connector	External connection	32-pin connector		
External power supply	Voltage	12/24V DC (10.2 to 26.4V, ripple ratio within 5%)	Voltage	12/24V DC (10.2 to 26.4V, ripple ratio within 5%)	
	Current	55mA typical	Current	180mA typical	
Internal current consumption (5V DC)	110mA typical				
Applicable wire size	0.3mm ² (23 AWG)				
Applicable connector (Fujitsu)	FCN-361J016-AU FCN-360C016-B (cover)	Applicable connector (Fujitsu)	FCN-361J032-AU FCN-360C032-B (cover)		
Weight (kg/lb)	0.6(1.32)				

*1: Only 64 I/O are occupied since each I/O address is allowed an input and an output. (for example, both X0 and Y0 may be used)

REMARKS

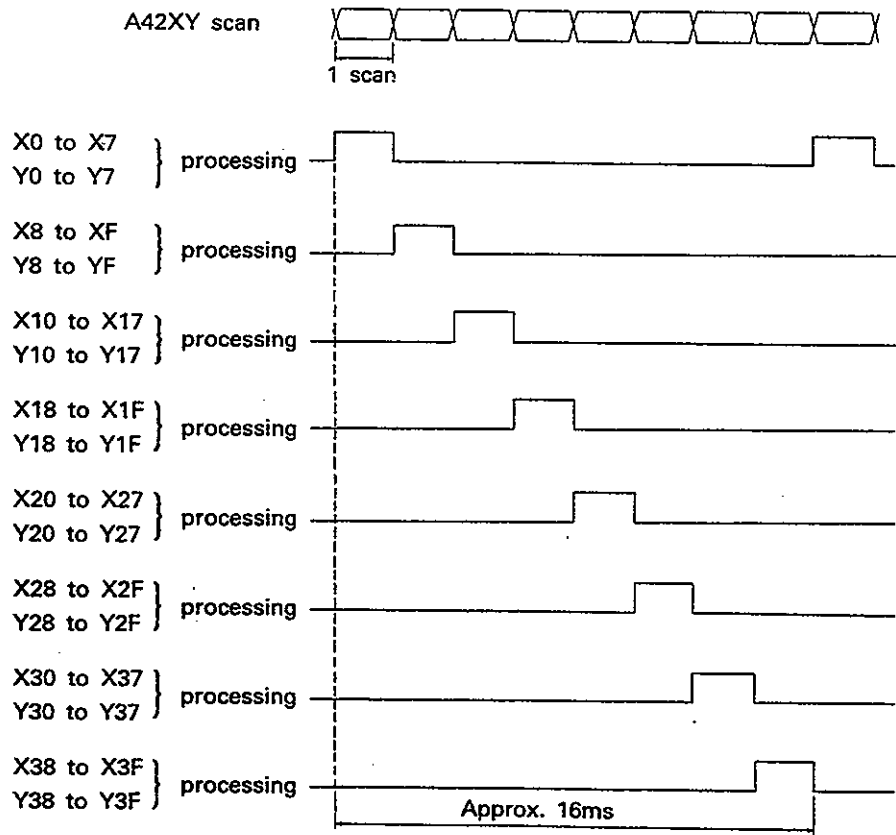
When making "I/O assignment" using a peripheral, specify the A42XY as a 64-point output module.

4. I/O COMPOSITE MODULE SPECIFICATIONS



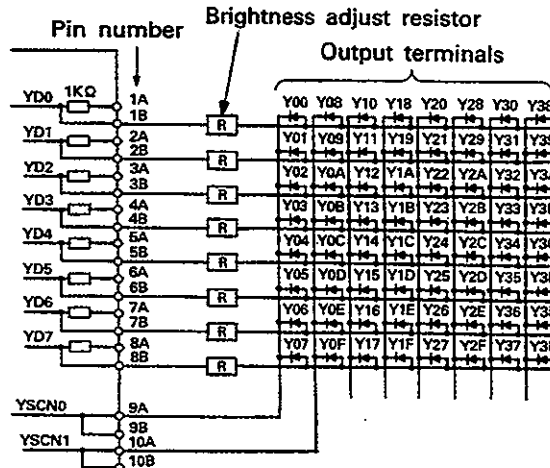
4.1.2 Dynamic scanning

In dynamic scanning mode, all input and output points are processed in a number of scans. All inputs and outputs are divided into groups of eight, and one group is processed each scan as shown below.



4.1.3 LED brightness adjustment

If the external LEDs are not bright enough, adjust current values by connecting resistors to pins 1B to 8B as shown below:



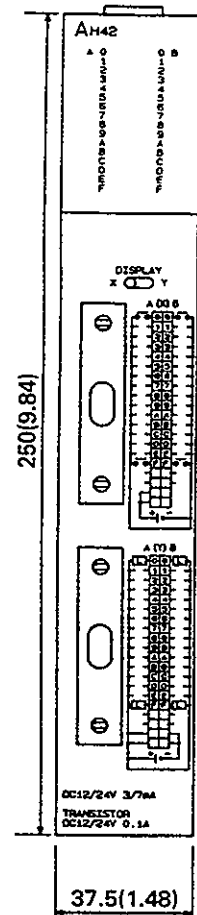
4. I/O COMPOSITE MODULE SPECIFICATIONS

MELSEC-A

4.2 AH42 I/O Module Specifications

The AH42 is a sink loading type I/O module which controls 32 DC input points and 32 transistor output points.

Input Specifications			Output Specifications		Front Panel
Number of inputs	32		Number of outputs	32	
Insulation system	Photocoupler		Insulation system	Photocoupler	
Rated input voltage	12V DC	24V DC	Rated load voltage	12/24V DC	
Rated input current	Approx. 3mA	Approx. 7mA	Operating load voltage range	10.2 to 40V DC	
Operating voltage range	10.2 to 26.4V DC (ripple ratio within 5%)		Max. load current	0.1A/point, 1 A/common	
ON voltage/current	9.5V DC or higher/3mA or higher		Max. inrush current	0.4A, 10msec or less	
OFF voltage/current	6V DC or lower/1.5mA or lower		Leakage current (OFF)	0.1mA or lower	
Input resistance	Approx. 3.3 kΩ		Max. voltage drop during ON	2.5V DC (0.1 A), 1.75V DC (5mA), 1.7V DC (1mA)	
Input method	Sink loading		Output method	Sink loading	
Response time	OFF→ON	10 msec or less (24V DC)	Response time	OFF→ON	2 msec or less
	ON→OFF	10 msec or less (24V DC)		ON→OFF	2 msec or less (resistive load)
Common terminal arrangement	32 points/common (1B1, 1B2)		External power supply	Voltage	12/24V DC (10.2 to 40V DC)
Max. simultaneous ON	60% simultaneous ON			Current	40mA (24V DC TYP)
	Number of I/O occupied points, I/O allocation	*1 64 points..... first half: 32 points input/latter half: 32 points output		Noise suppression	Clamp Diode *3
*2 64-point output module		Common terminal arrangement	32 points/common (2A1, 2A2)		
Internal current consumption (5V DC)	245mA (TYP. all points ON)				
Indication	1 LED per point (switch selection of block of 32 points)				
Connection method	Two 40-pin connectors				
Applicable wire size	0.3mm ²				
Accessory	Two 40-pin connectors (soldered)				
Weight	0.7kg				
External dimensions	See Appendix 1.1.1 (3) 40-pin connector.				



- *1: The number of occupied I/O points is 64: first 32 points are allocated as inputs and latter 32 points are allocated as outputs.
- *2: When making "I/O allocation" using a peripheral, specify AH42 as a 64-point output module.
- *3: The peak voltage including surge becomes 40V including a reverse-resisting pressure of the clamping diode.

5. SPECIFICATIONS OF CONNECTOR/TERMINAL BLOCK CONVERTOR MODULES

5.1 Specifications of Connector/Terminal Block Convertor Modules

Table 5.1 Connector/Teriminal Block Convertor Module Specifications

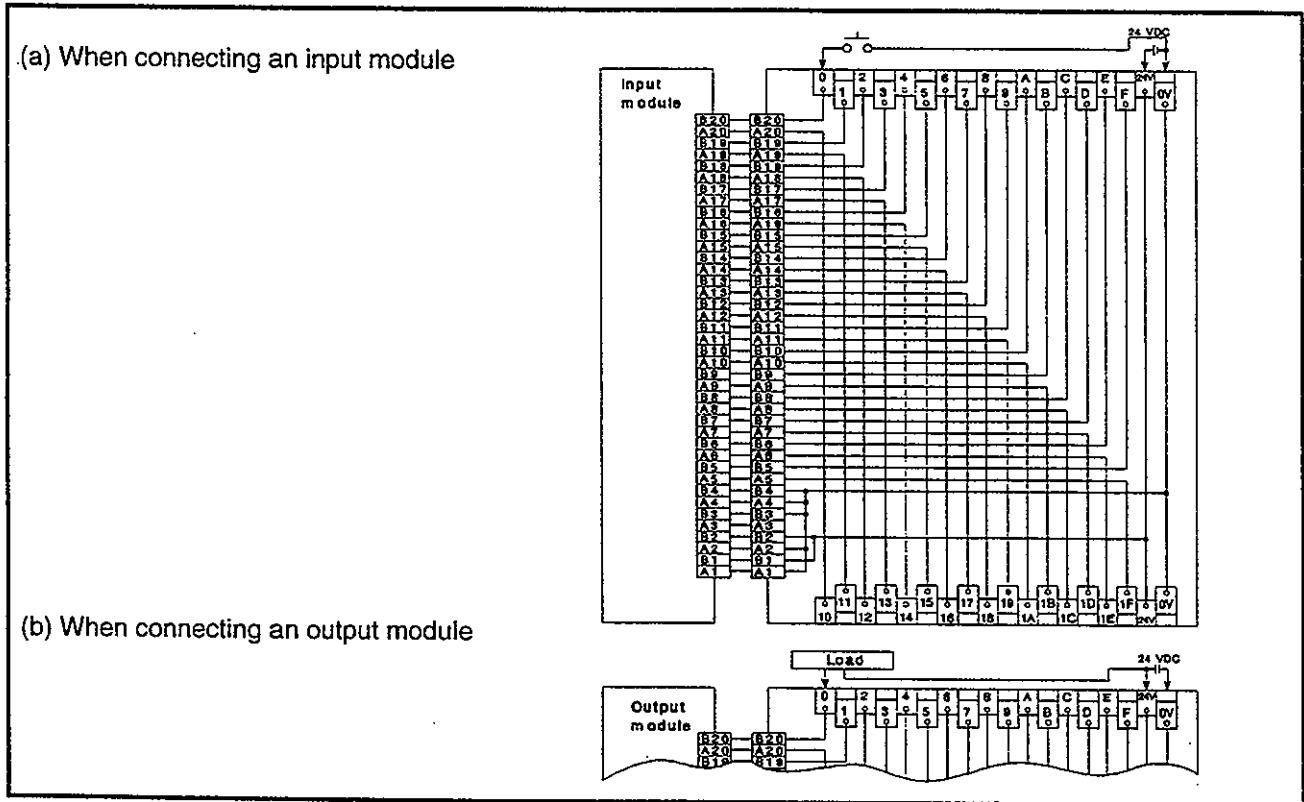
	Type	Details	Applicable Models
Connector/terminal block converter unit	A6TBXY36	For sink type input modules and sink type output modules (standard type)	AX42, AY42(S3/S4), AH42, AJ35TC1-32D
	A6TBX54	For sink type input modules and sink type output modules (2-wire type)	
	A6TBX70	For sink type input modules (3-wire type)	AX42, AH42, AJ65BTC1-32D
	A6TBX36-E	For source type input modules (standard type)	AX82
	A6TBY36-E	For source type output modules (standard type)	AY82EP
	A6TBX54-E	For source type input modules (2-wire type)	AX82
	A6TBY54-E	For source type output modules (2-wire type)	AY82EP
	A6TBX70-E	For source type input modules (3-wire type)	AX82
Cable	AC05TB	0.5 m (19.69 in.), for sink modules	A6TBXY36 ATBX54 A6TBX70
	AC10TB	1 m (39.37 in.), for sink modules	
	AC20TB	2 m (78.74 in.), for sink modules	
	AC30TB	3 m (118.11 in.), for sink modules	
	AC50TB	5 m (196.85 in.), for sink modules	
	AC80TB	8 m (314.96 in.), for sink modules (common current not exceeding 0.5 A)	
	AC100TB	10 m (393.7 in.), for sink modules (common current not exceeding 0.5 A)	A6TBX36-E A6TBY36-E A6TBX54-E A6TBY54-E A6TBX70-E
	AC05TB-E	0.5 m (19.69 in.), for source modules	
	AC10TB-E	1 m (39.37 in.), for source modules	
	AC20TB-E	2 m (78.74 in.), for source modules	
	AC30TB-E	3 m (118.11 in.), for source modules	
	AC50TB-E	5 m (196.85 in.), for source modules	

IMPORTANT

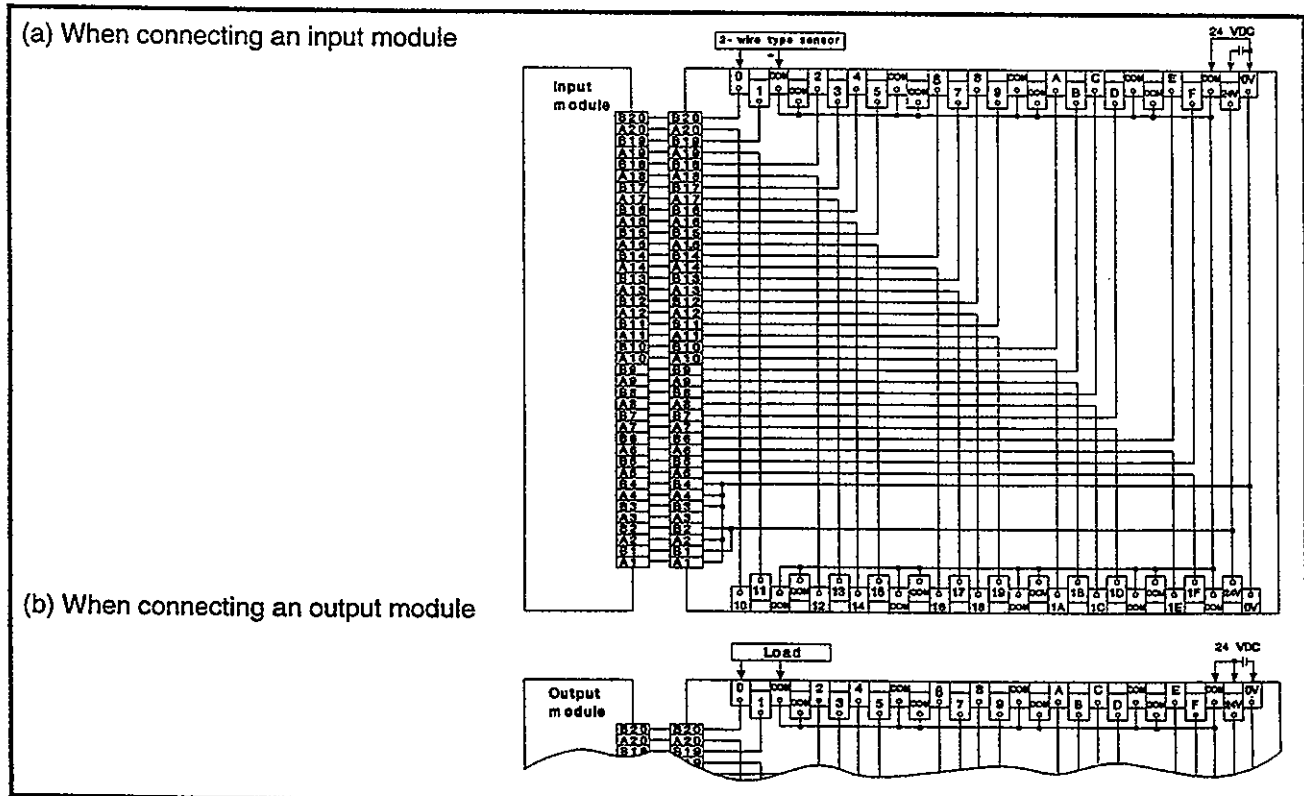
- (1) The A1SX81 is a sink/spurce combination type, but nevertheless it should be used only with A6TBX36-E, A6TBX54, or A6TB70-E. A6TBXY36, A6TBXY54, and A6TBX70 cannot be used with it.
- (2) The number of connectable I/O points is 32 for all connector/terminal block convertor modules.
Two connector/terminal block convertor modules and two cables for connector/terminal block convertor modules are required for 64-point I/O modules.
- (3) Tighten the module terminal screws to the following torque.
Feeder connecting terminal screw (M3.5 screw) .. tightening torque .. 78.4N-cm (8kgf-cm)

5.2 Connector/Terminal Block Convertor Module Connection Diagrams

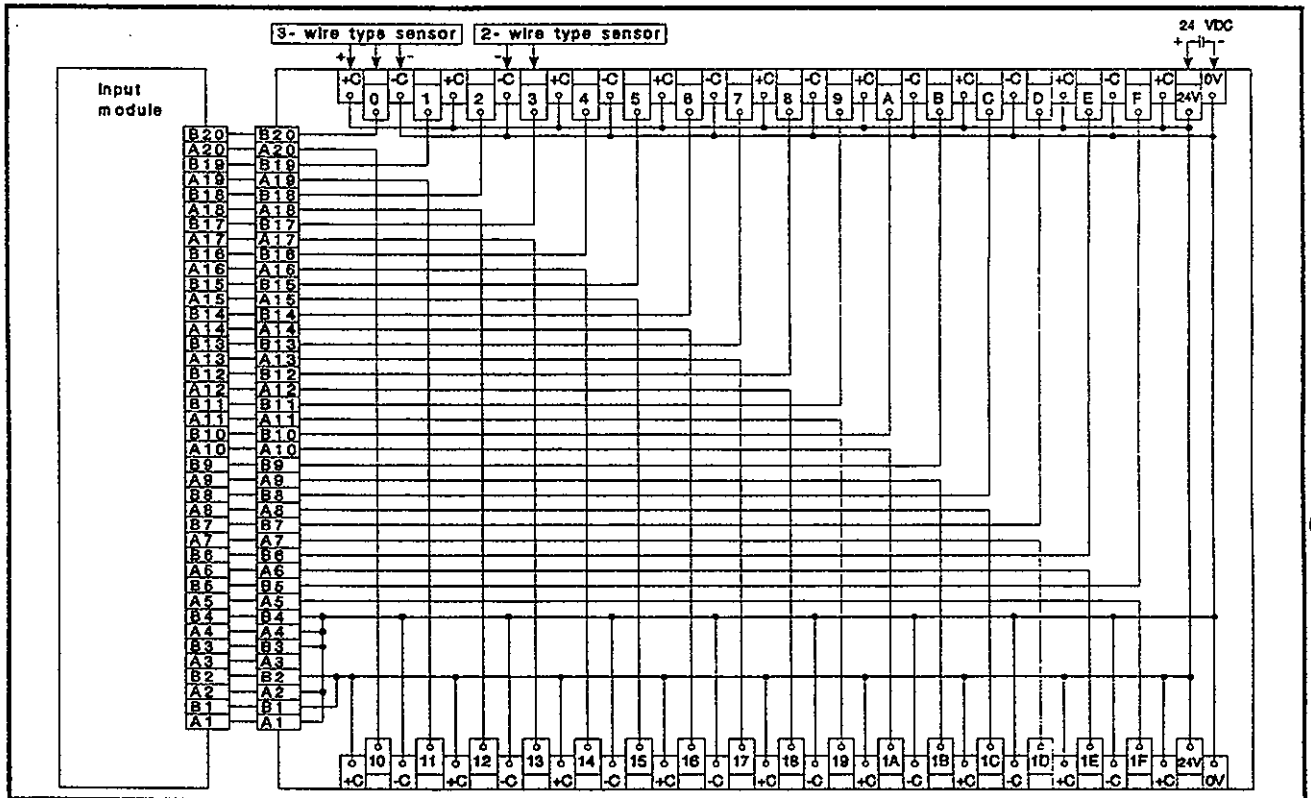
5.2.1 A6TBXY36



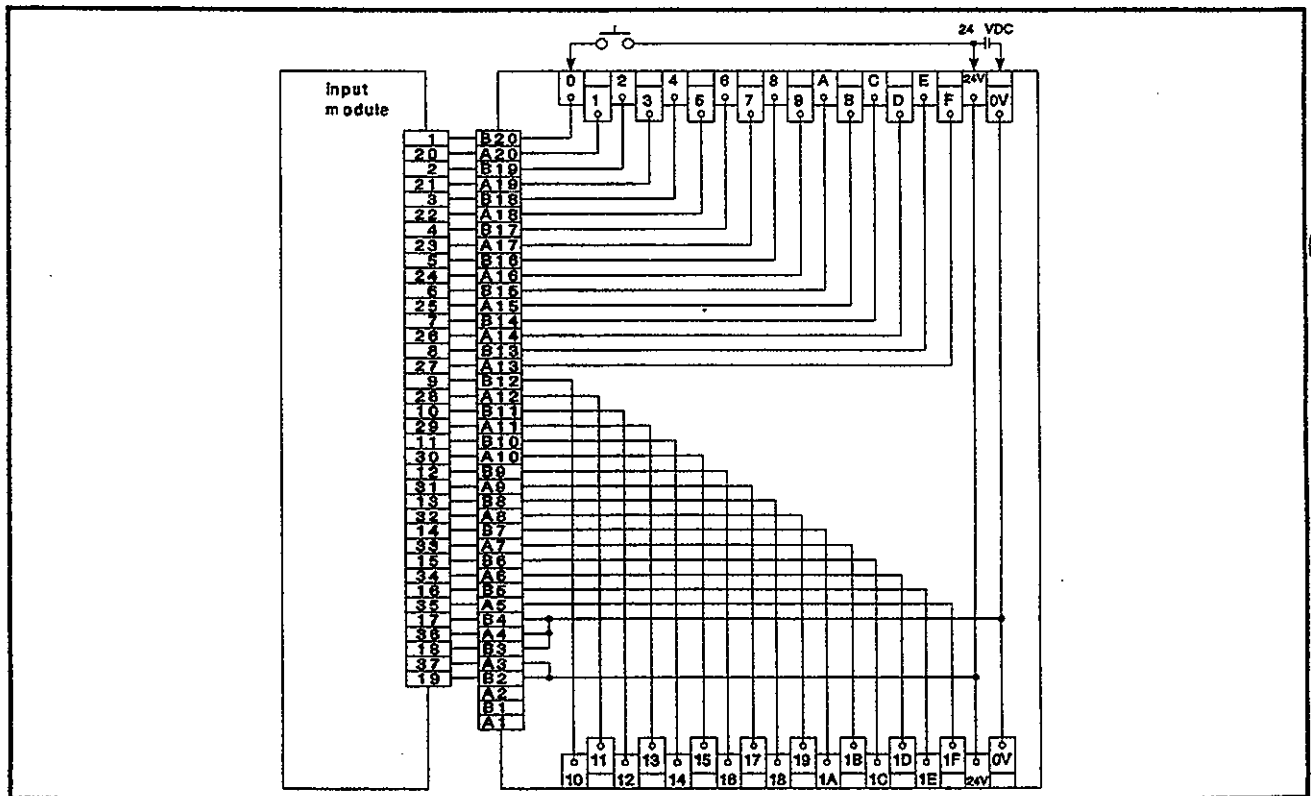
5.2.2 A6TBXY54



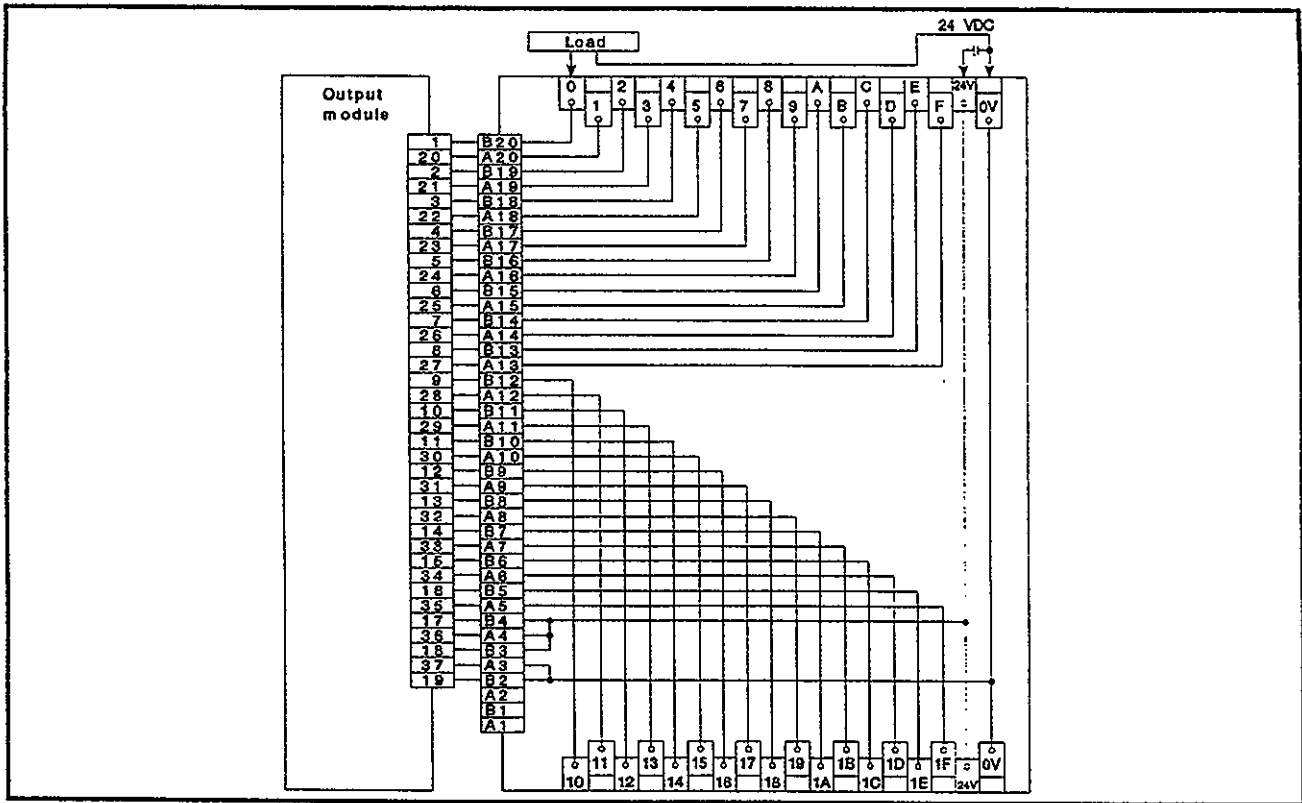
5.2.3 A6TBX70



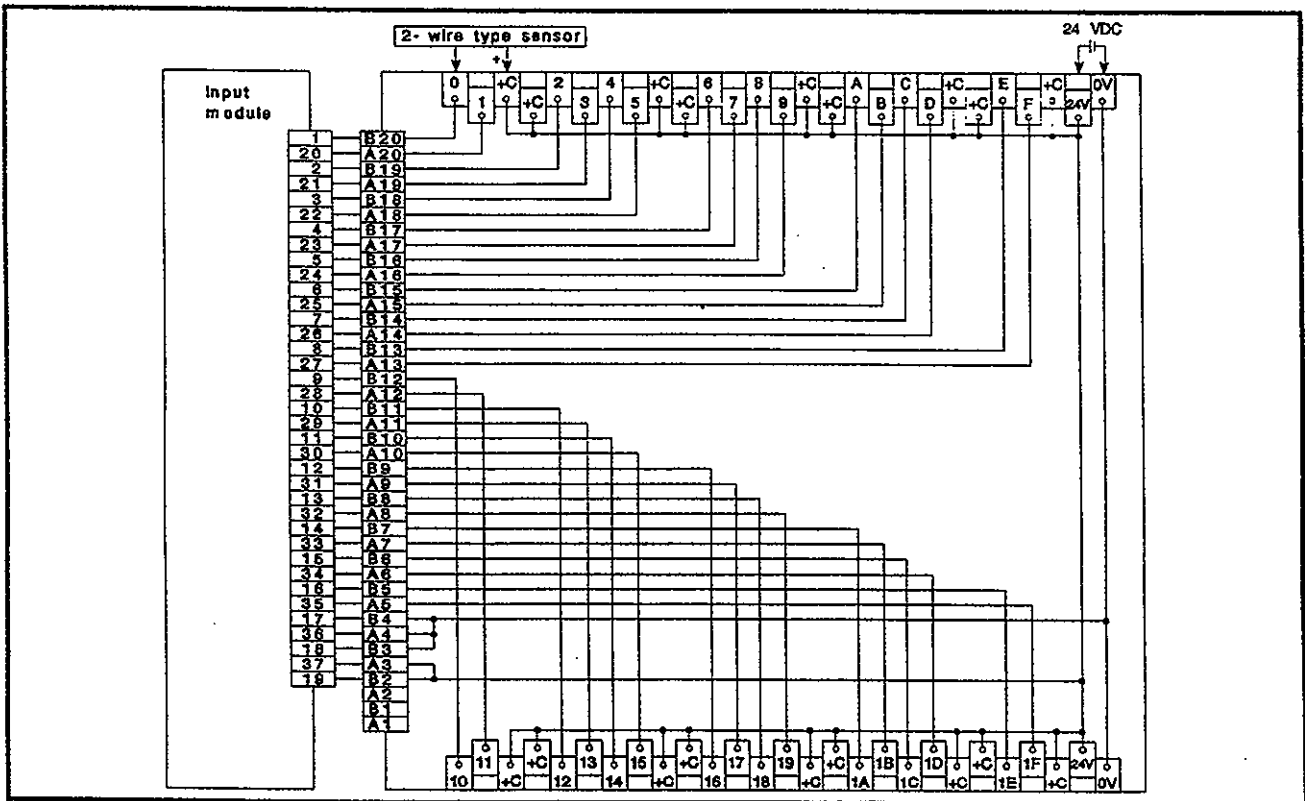
5.2.4 A6TBX36-E



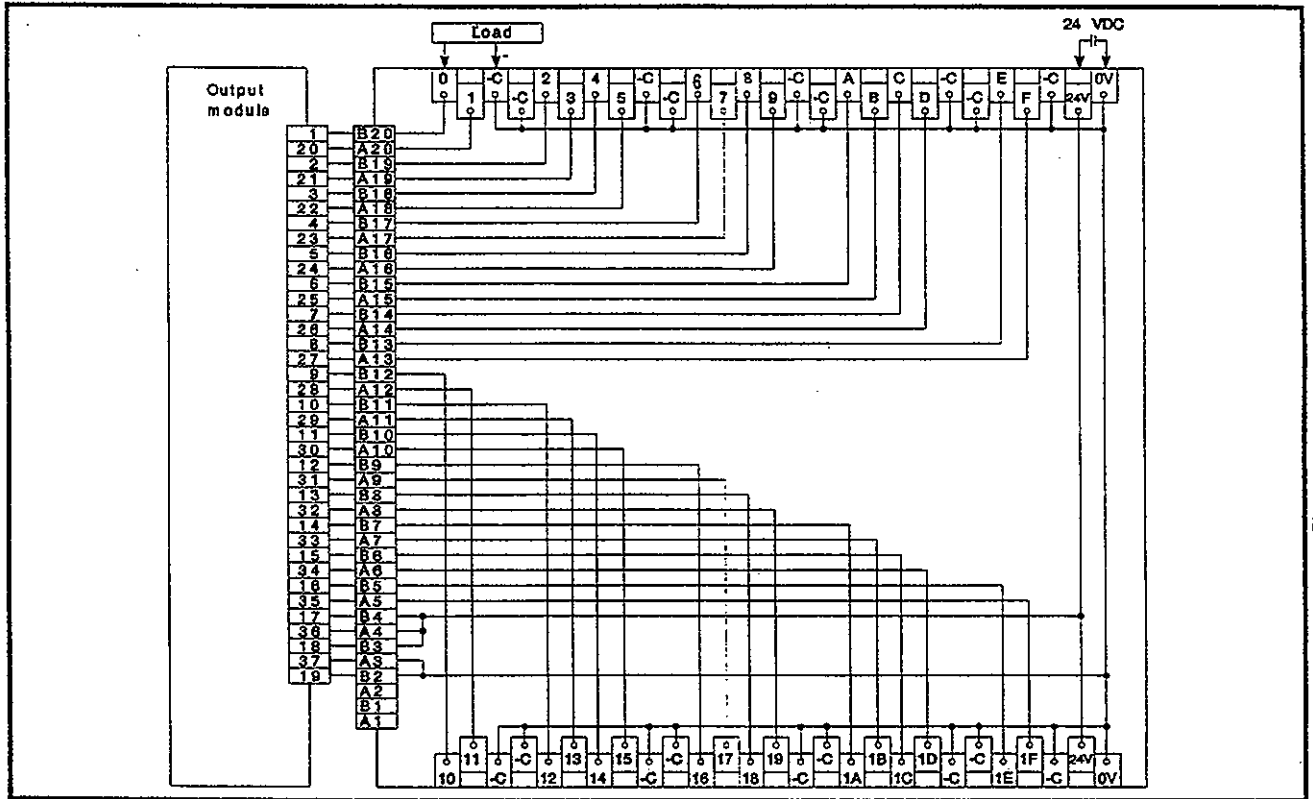
5.2.5 A6TBX36-E



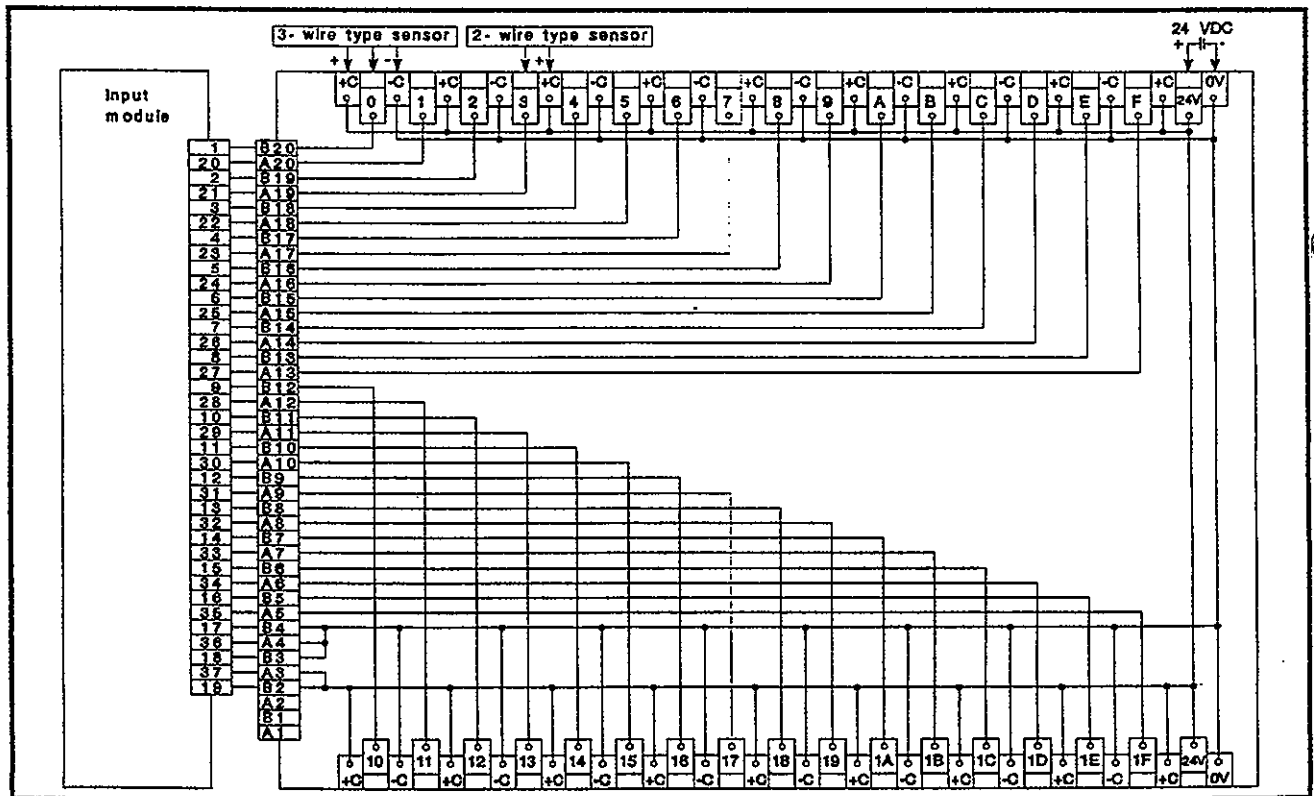
5.2.6 A6TBX54-E



5.2.7 A6TBY54-E



5.2.8 A6TBX70-E



6. BLANK COVER, DUMMY MODULE, SIMULATION SWITCH SPECIFICATIONS

6.1 Blank Cover (AG60), Dummy Module (AG62) Specifications

The AG60 blank cover is used to protect base unit vacant slots against dust etc.

The AG62 dummy module is used to reserve a specified number of I/O points at any base unit slot.

Item \ Type	AG60	AG62
Number of I/O occupied	16	Max. 64 (May be switched between 16, 32, 48 and 64 using the select switch on the front panel.)
I/O allocation	Vacant 16 points	Designate the number of setting points for [] by using the select switch.
Application	Used to protect any vacant slot from dust.	Used to reserve I/O (16, 32, 48 or 64 points) for future use.
Other function	—————	The first 16 inputs can be simulated using the DIP switches. (See Section 6.3)
Internal current consumption (5 VDC)	—————	70 mA
Size mm(inch)	250(9.84) × 37.5(1.48) × 121(4.76)	250(9.84) × 3.75(0.15) × 121(4.76)
Weight kg(lbs)	0.17(0.37)	0.3(0.66)

Table 3.12 Dummy Module, Blank Cover Specifications

6.2 Setting the AG62's I/O Points Occupied

Use the occupied I/O point setting switches (DIP switches) on the module front. The number of I/O points occupied is factory-set to 64 points.

Number of I/O points occupied	16points	32points	48points	64points
Switch setting				

6.2 Simulation Switch (A6SW16, A6SW32) Specifications

The simulation switches are banks of switches permanently fixed to a terminal block assembly. To use the simulation switches, remove the input modules terminal block and replace it with the appropriate simulation switch.

The simulation switches are used to test programs by simulating input conditions.

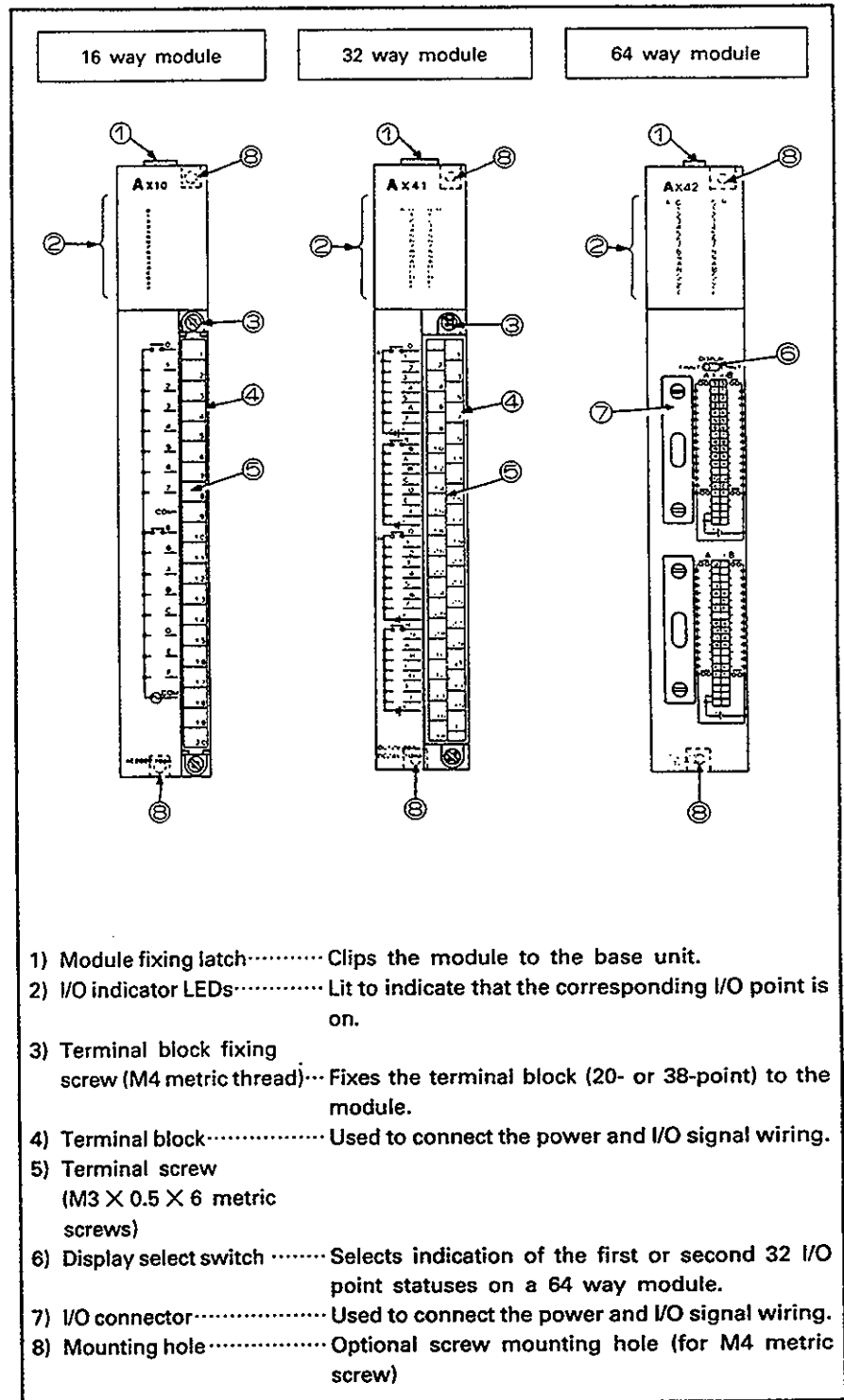
Item \ Type	A6SW16	A6SW32
Number of switches	16	32
Rated voltage, current	250V AC, 10mA	250V AC, 10mA
Minimum voltage, current	5V DC, 1mA	5V DC, 1mA
Switching life	More than 10,000 times	
Lever operating force	400g-f maximum	400g-f maximum
Size mm(inch)	190(7.48) × 31.5(1.24) × 33.6(1.32)	197(7.76) × 37.5(1.48) × 43.5(1.71)
Weight kg(lbs)	0.11(0.24)	0.2(0.44)

Table 3.13 Simulation Switch Specifications

7. NOMENCLATURE

7. NOMENCLATURE

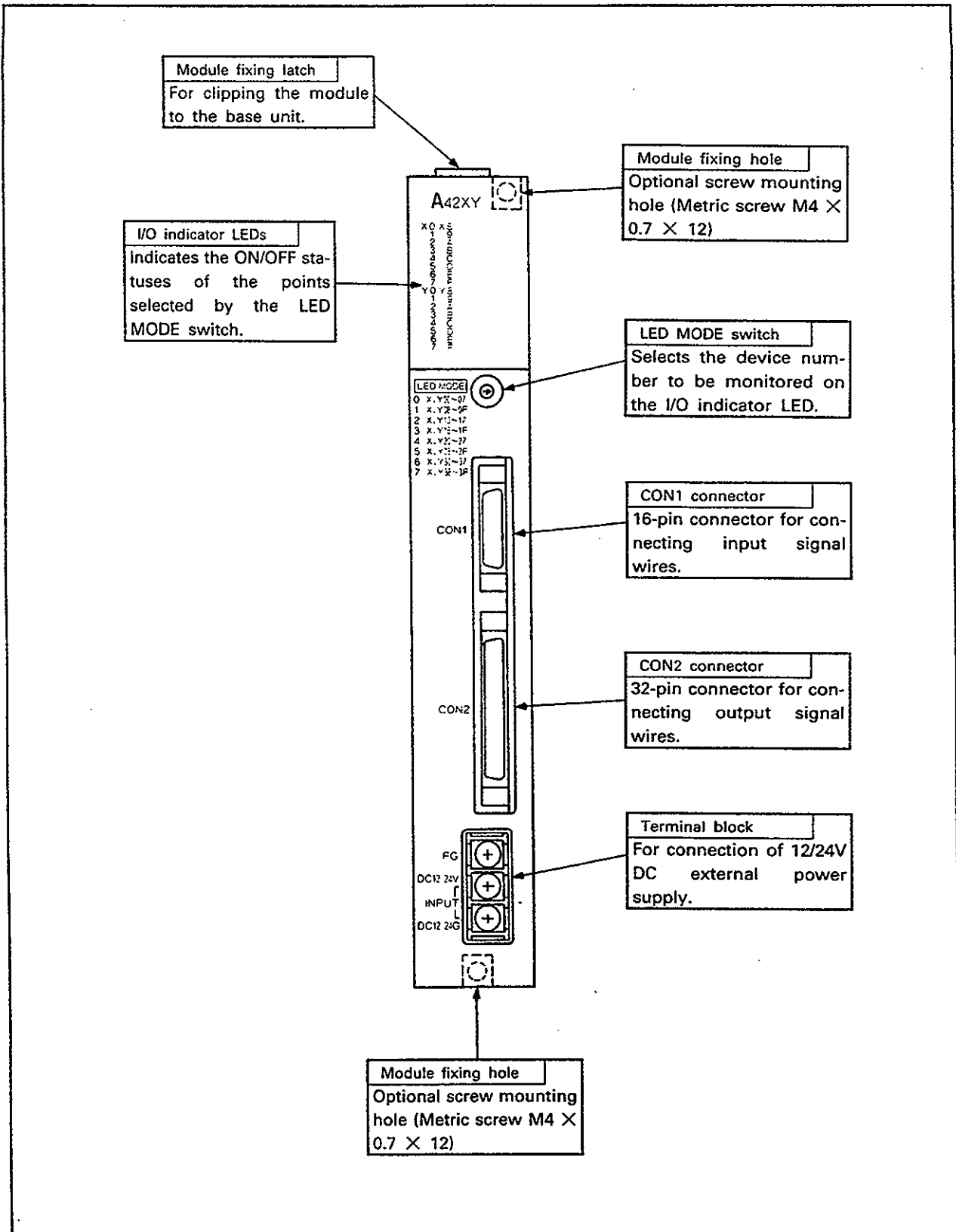
7.1 I/O Module Nomenclature



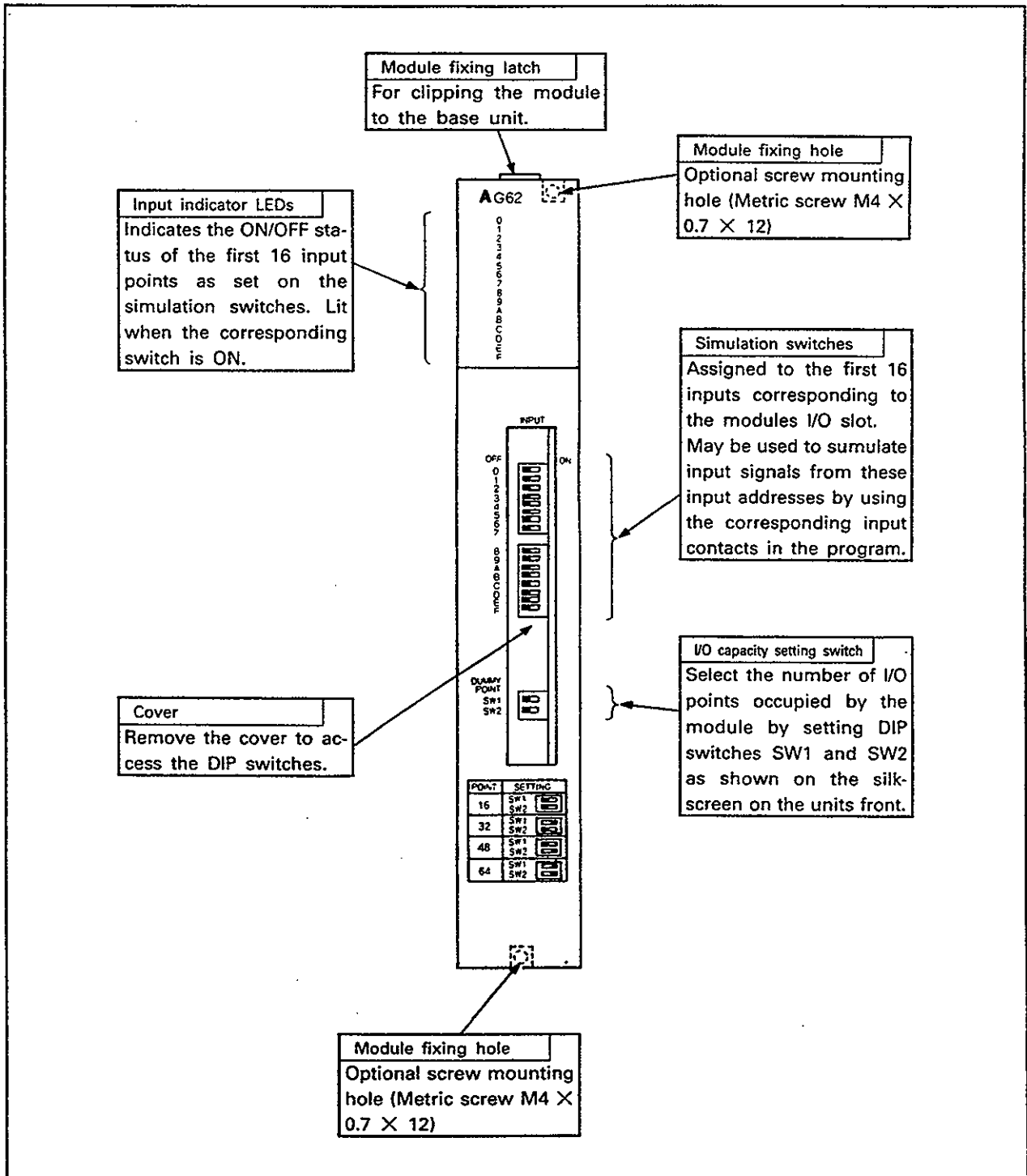
7. NOMENCLATURE

MELSEC-A

7.2 A42XY Nomenclature



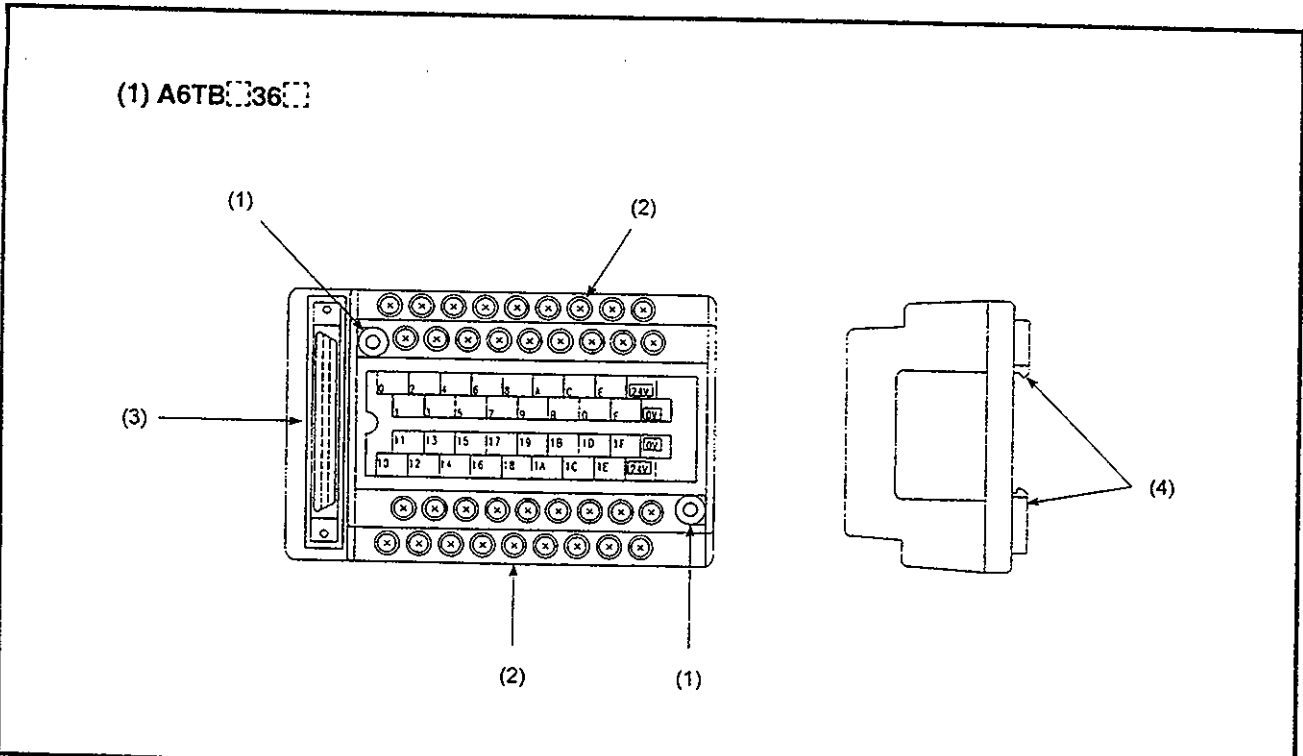
7.3 Dummy Module Nomenclature



REMARKS

It is necessary to set areas marked after loading the module to the base unit and before starting operation.

7.4 Connector/Terminal Block Convertor Modules

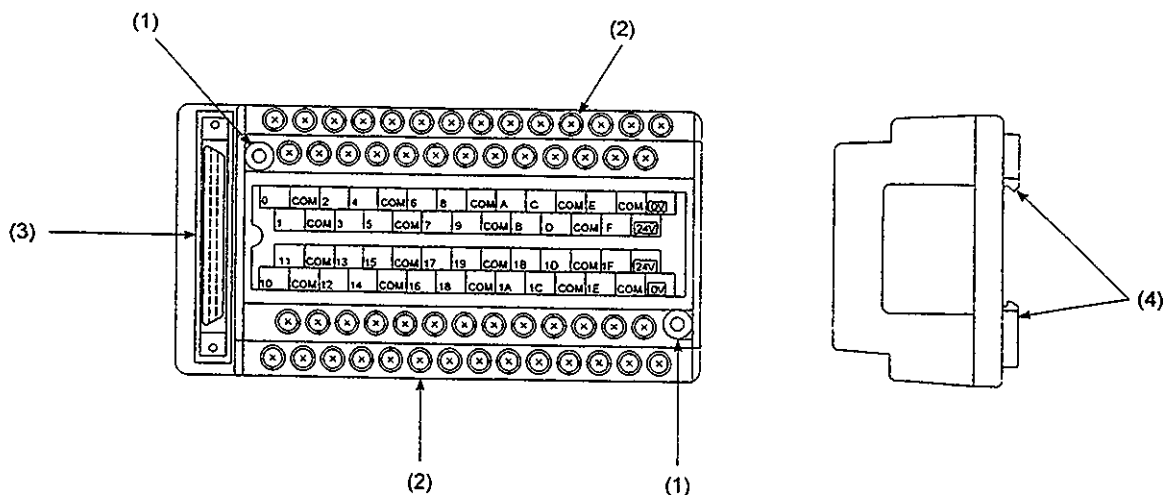


No.	Name	Description
(1)	Panel mounting hole	Panel mounting hole (for M4 screws)
(2)	Terminal block	Terminal block that connects power supply and signal wires (M3.5 screws)
(3)	40-pin connector	40-pin connector for a 32-point module; connects power supply and input signal wires
(4)	Module fixing hooks	Hooks for mounting on a DIN rail

7. NAMES OF PARTS AND SETTINGS

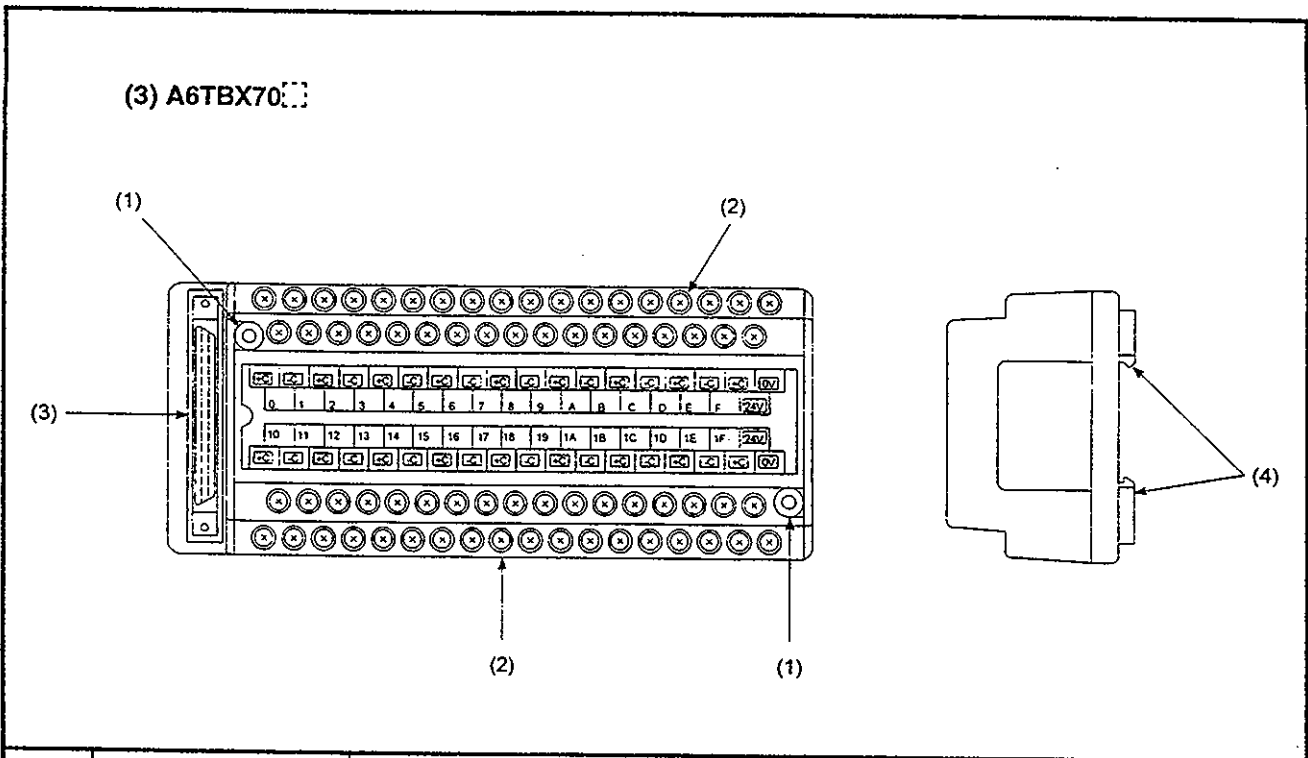
MELSEC-A

(2) A6TB-54



No.	Name	Description
(1)	Panel mounting hole	Panel mounting hole (for M4 screws)
(2)	Terminal block	Terminal block that connects power supply and signal wires (M3.5 screws)
(3)	40-pin connector	40-pin connector for a 32-point module; connects power supply and input signal wires
(4)	Module fixing hooks	Hooks for mounting on a DIN rail

7. NAMES OF PARTS AND SETTINGS



No.	Name	Description
(1)	Panel mounting hole	Panel mounting hole (for M4 screws)
(2)	Terminal block	Terminal block that connects power supply and signal wires (M3.5 screws)
(3)	40-pin connector	40-pin connector for a 32-point module; connects power supply and input signal wires
(4)	Module fixing hooks	Hooks for mounting on a DIN rail

7.5 Installing/Removing the Simulation Switch

This section explains how to install and remove the simulation switch (A6SW16/A6SW32) to and from an input module.

7.5.1 Installation

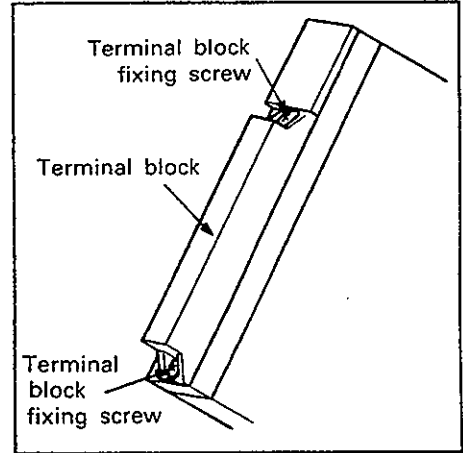
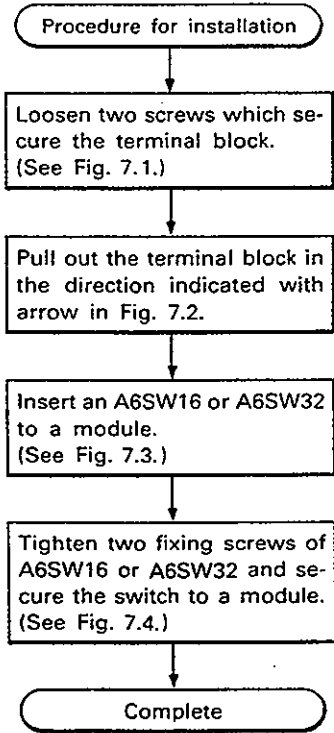


Fig. 7.1

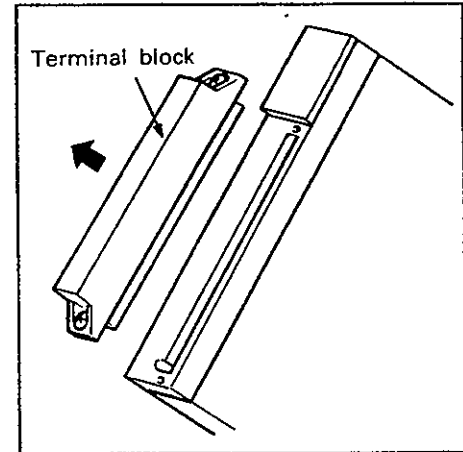


Fig. 7.2

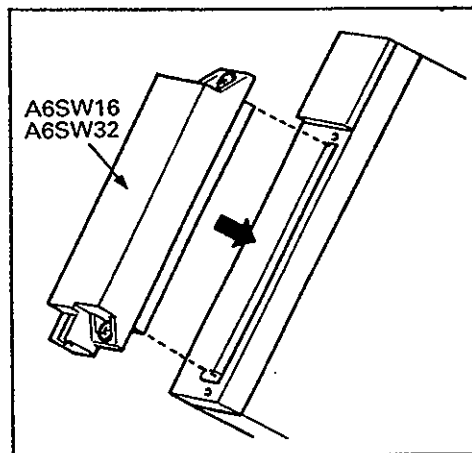


Fig. 7.3

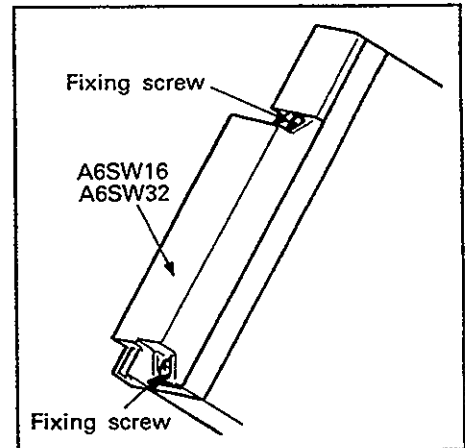


Fig. 7.4

7.5.2 Removal

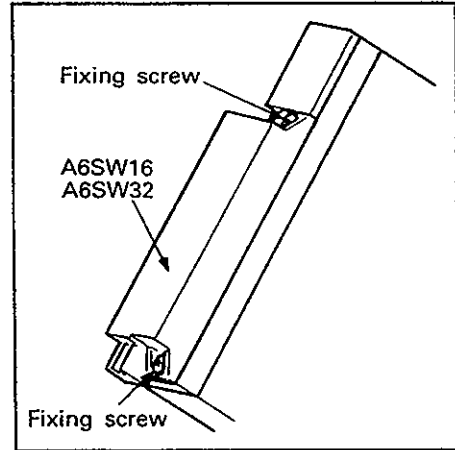
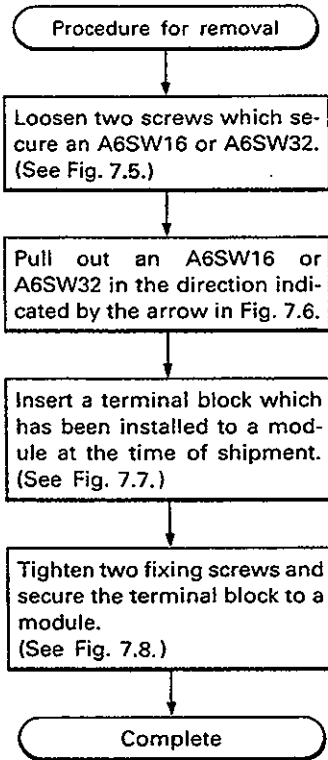


Fig. 7.5

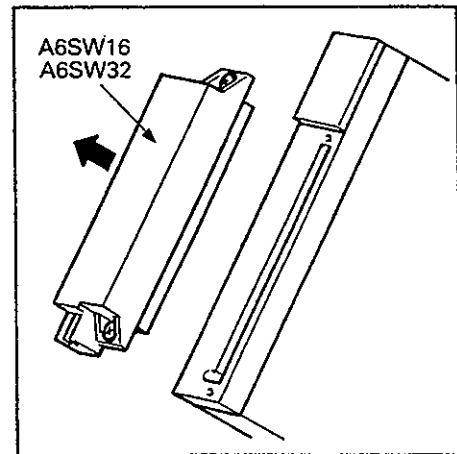


Fig. 7.6

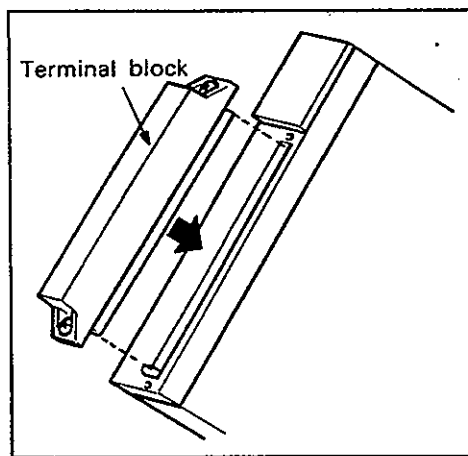


Fig. 7.7

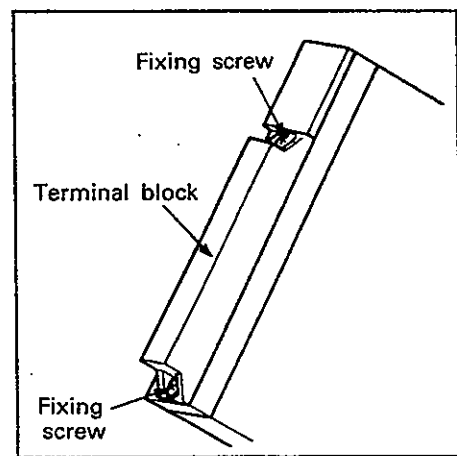


Fig. 7.8

8. I/O CONNECTION TROUBLESHOOTING

8.1 Input Wiring Troubleshooting

This section describes possible problems with the input circuit and corrective actions.

Table 8.1 Input Wiring Troubleshooting (Continue)

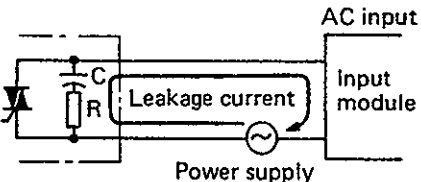
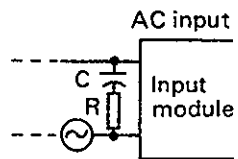
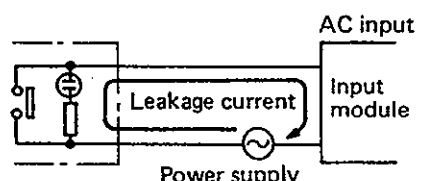
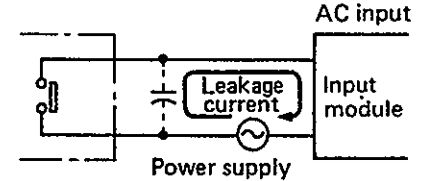
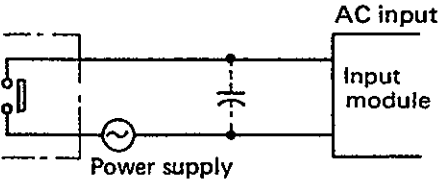
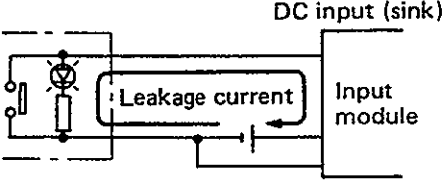
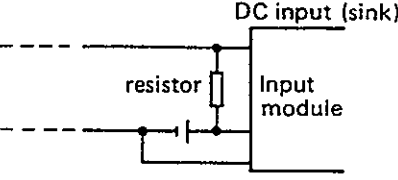
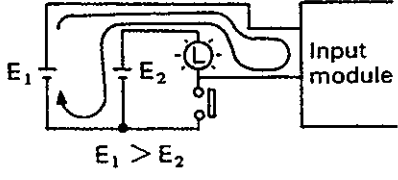
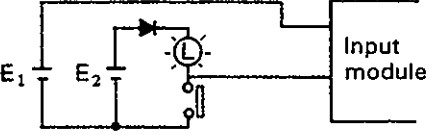
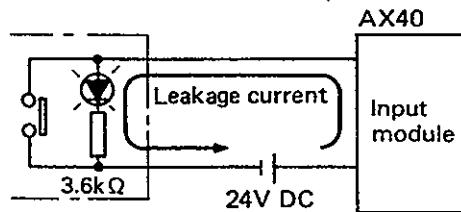
	Condition	Cause	Corrective Action
Example 1	AC input signal does not turn off. (Input LED may remain on or flicker)	<ul style="list-style-type: none"> Input device leakage current. 	<ul style="list-style-type: none"> Connect a CR network across input to drop the voltage below the input modules OFF threshold.  <p>Use C = 0.1 to 0.47 μF and R = 47 to 120 Ω (1/2W)</p>
Example 2	AC input signal does not turn off. (Input LED may remain on or flicker)	<ul style="list-style-type: none"> Leakage current due to contact switch with neon indicator. 	<ul style="list-style-type: none"> As example 1, or. Construct independent indicator circuit.
Example 3	AC input signal does not turn off. (Input LED may remain on or flicker)	<ul style="list-style-type: none"> Leakage current due to line capacity of wiring cable. (Line capacity of twisted pair wire is approx. 100 PF/m.) 	<ul style="list-style-type: none"> As Example 1. Note that moving the power supply to the input device end of the cable will prevent leakage current from being generated. 

Table 8.1 Input Wiring Troubleshooting (Continued)

	Condition	Cause	Corrective Action
Example 4	DC input signal does not turn off. (Input LED may remain on or flicker)	<ul style="list-style-type: none"> Leakage current due to contact switch with LED indicator. 	<ul style="list-style-type: none"> Connect a resistor across the input and COM to drop the voltage below the input modules OFF threshold.  <p>* Sample resistor value calculation given on next page.</p>
Example 5	DC input signal does not turn off. (Input LED may remain on or flicker)	<ul style="list-style-type: none"> Current flow due to the use of two power supplies. 	<ul style="list-style-type: none"> Use single power supply. Use diode as shown below: 

Example:

Calculation for Example 4

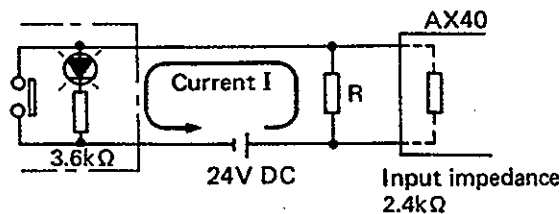


Consider a contact switch with LED indicator connected to an AX40 module, giving a 4mA leakage current.

- The voltage V_{TB} across terminal and common is obtained by the following expression:

$$V_{TB} = 4 \text{ [mA]} \times 2.4 \text{ [K}\Omega\text{]} = 9.6 \text{ [V]} \text{ (The voltage drop across the LED may be ignored.)}$$

The OFF threshold voltage is 6V so that the input will remain energized when the contact switch is open. Use resistor R as shown below:



- Calculate the resistor value, R, as shown below:
For an input voltage < 6V, current I must be:

$$(24 - 6[V]) \div 3.6[k\Omega] = 5mA$$

Resistor R must be selected to give a current $I > 5mA$.

- Hence, for resistor, R

$$6[V] \div R > 5 - 2.5[mA]$$

$$6[V] \div 2.5[mA] > R$$

$$2.4[k\Omega] > R$$

For $R = 2k\Omega$, the power capacity must be:

$$W = (\text{applied voltage})^2/R \text{ (or } W = (\text{maximum current})^2 \times R)$$

Resistor R terminal voltage is:

$$\frac{2.4 \times 2}{2.4 + 2} (k\Omega) : \frac{2.4 \times 2}{2.4 + 2} + 3.6(k\Omega) = X : 24(V)$$

$$X = 5.58(V)$$

Therefore, the power capacity W of resistor R is

$$W = (5.58[V])^2/2[k\Omega] = 0.015[W]$$

- Use a safety factor of 3 to 5. Resistor should therefore be rated at 0.5 to 1W.

A 3k Ω , 0.5 to 1W resistor should therefore be connected across the relevant input terminal and its COM.

8.2 Output Wiring Troubleshooting

Table 8.2 Output Wiring Troubleshooting (Continue)

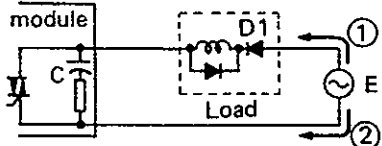
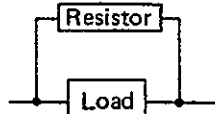
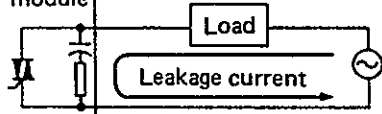
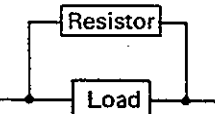
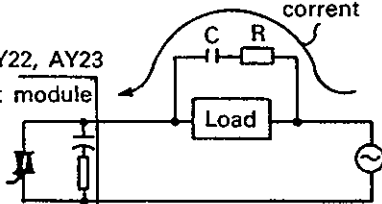
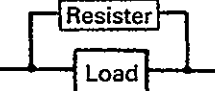
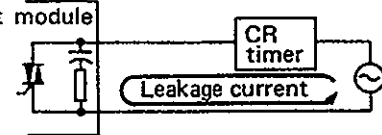
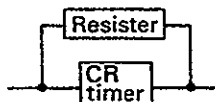
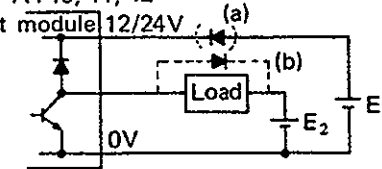
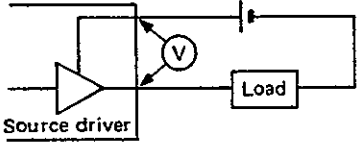
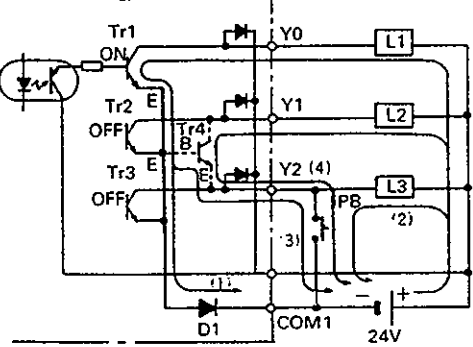
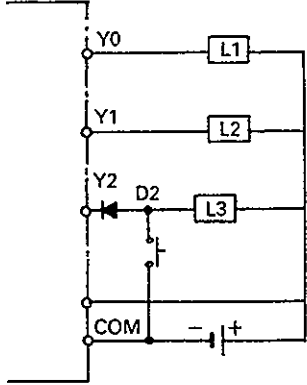
	Condition	Cause	Corrective Action
Example 1	AC voltage applied to output load when output in off.	<ul style="list-style-type: none"> Half wave rectification by load (typical of some solenoids). <p>AY22, AY23</p>  <ul style="list-style-type: none"> Current flow in direction ① causes capacitor, C, to charge. Current flow in direction ② applies capacitor voltage plus E across D1 (Voltage = 2.2E (approx)). 	<ul style="list-style-type: none"> Connect a resistor of several ten kΩ to several hundred kΩ across the load. <p>Note: This solution may lead to damage to the diode. Suitable output loads should be substituted for the existing solenoids.</p> 
Example 2	AC load does not turn off. (triac output)	<ul style="list-style-type: none"> Leakage current due to built-in noise suppression. <p>AY22, AY23</p> 	<ul style="list-style-type: none"> Connect a R network across the load. <p>Where long cable runs between output module and load are used, there may be a leakage current due to the line capacity.</p> 
Example 3	Load turns OFF with a delay (triac output)	<ul style="list-style-type: none"> Leakage current due to load noise suppressor. <p>Output module High frequency current Load</p> <p>AY22, AY23</p> 	<ul style="list-style-type: none"> Remove noise suppressor from both sides of the load and connect a resistor. <p>(When wiring distance from output card to load is long, there may be a leakage current due to the line capacity.)</p> <p>Recommended resistance At 100 VAC: 5 to 10 KΩ, 5 to 3 W At 200 VAC: 10 to 20 KΩ, 15 to 10 W</p> 
Example 4	AC load is C-R type timer, time constant fluctuates. (triac output)	<p>AY22, AY23</p> 	<ul style="list-style-type: none"> Connect a resistor to both ends of CR timer. <p>(When wiring distance from output card to load is long, there may be a leakage current due to the line capacity.)</p>  <p>R values will depend on the load.</p>
Example 5	DC load does not turn off. (Transistor output with clamp diode)	<p>AY40, 41, 42</p>  <ul style="list-style-type: none"> When $E_1 < E_2$, current flows. 	<ul style="list-style-type: none"> Use single power supply. Use diode (a) as shown on the left. <p>When a relay (or similar load) is used, a free wheel diode should be connected across the load (see diode (b) on the left).</p>

Table 8.2 Output Wiring Troubleshooting (Continued)

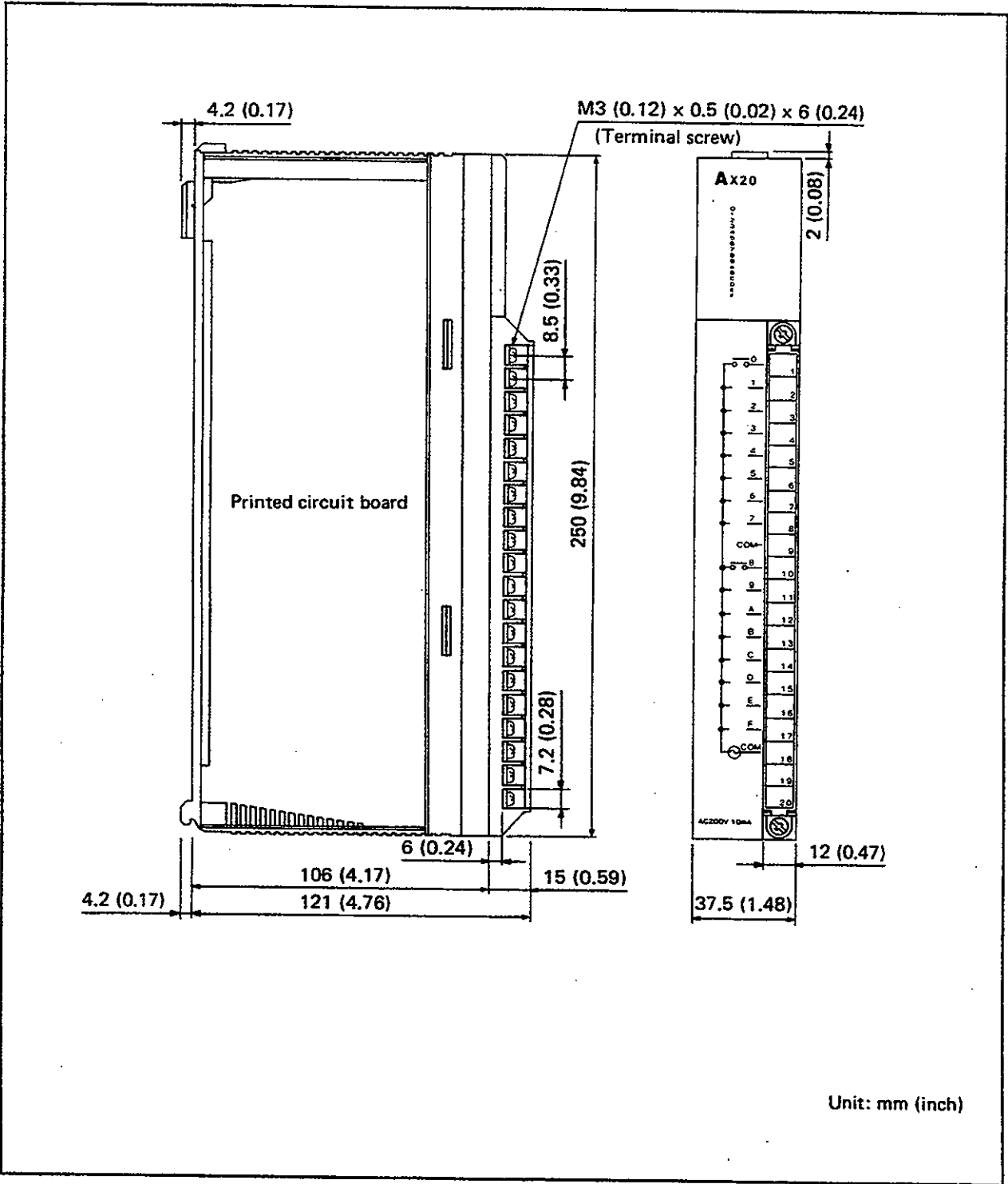
	Condition	Cause	Corrective Action
Example 6	<p>Load does not operate normally (due to external shorting, etc.)</p> <p>AY60EP, AY80EP, AY81EP, AY82EP,</p>	<p>External load malfunction or incorrect connection.</p>	<ul style="list-style-type: none"> ● Check the external load. ● Check voltage across the following terminals with output (Y) on. ● If output voltage > 3V, check external load and wiring for short circuits. 
Example 7	<p>When an external switch is connected parallel between output and common, the voltage between Y1 and COM1 does not increase to a load voltage (24 V) and drops to 0 to 24 V though output (Y1) to which an external switch is not connected is turned OFF. Output voltage drops occur usually when load L2 is a light load such as LED lamp, photocoupler, etc. (when a load current is a few mA).</p> <p>AY40 AY41 AY42</p>	<p>Incorrect output due to parasitic transistor (Tr4).</p>  <p>Y2 is used to turn ON load L3 from either PC or PB. When PB is turned ON, Y0 is turned ON, and Y1 is turned OFF by PC.</p> <ol style="list-style-type: none"> (1) L1 ((1) current) and L3 ((2) current) are turned ON. (2) Diode D1 is connected between emitters Tr1 to 4 (E) and COM1, and electrical potential difference occurs at COM1. (3) Transistors AY40 to 42 have parasitic transistors (Tr4). (4) Electrical potential difference above (2) is supplied between Tr4 base (B) and emitter (E), and (3) base current flows. (Tr4 is turned ON.) (5) Collector current (4) flows due to (4), and the voltage of Y1 drops to 0 to 24 V. 	 <p>Add diode D2 of IF=1A to output (Y2) to which an external switch is connected as shown in the figure above. (This prevents (3), (4) current (in the left figure) from flowing.) However, voltage drop increases 0.6 to 1 V when Y2 is turned ON. Confirm the operating voltage of L3.</p>

APPENDIX

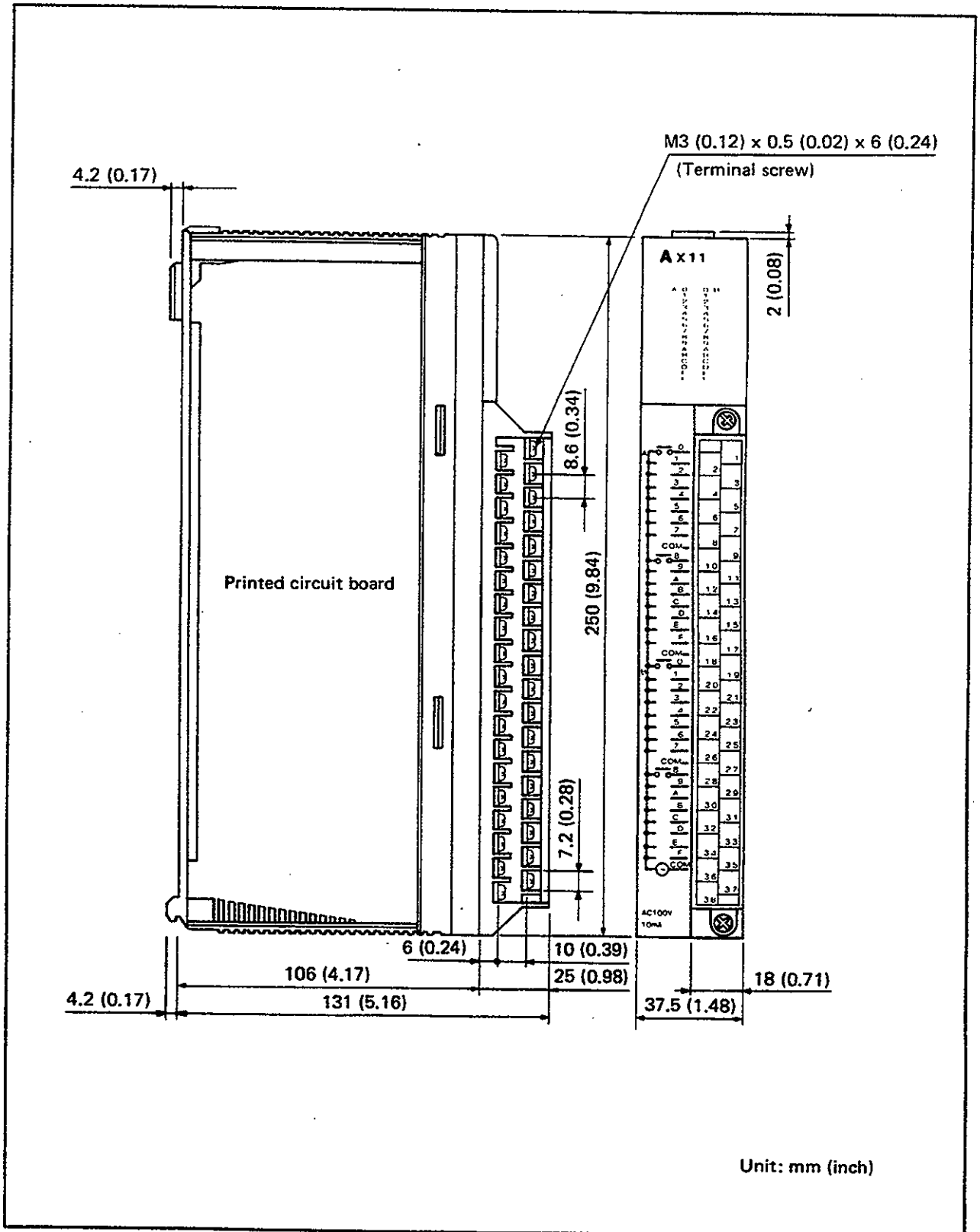
APPENDIX 1 DIMENSIONS

1.1 I/O Module

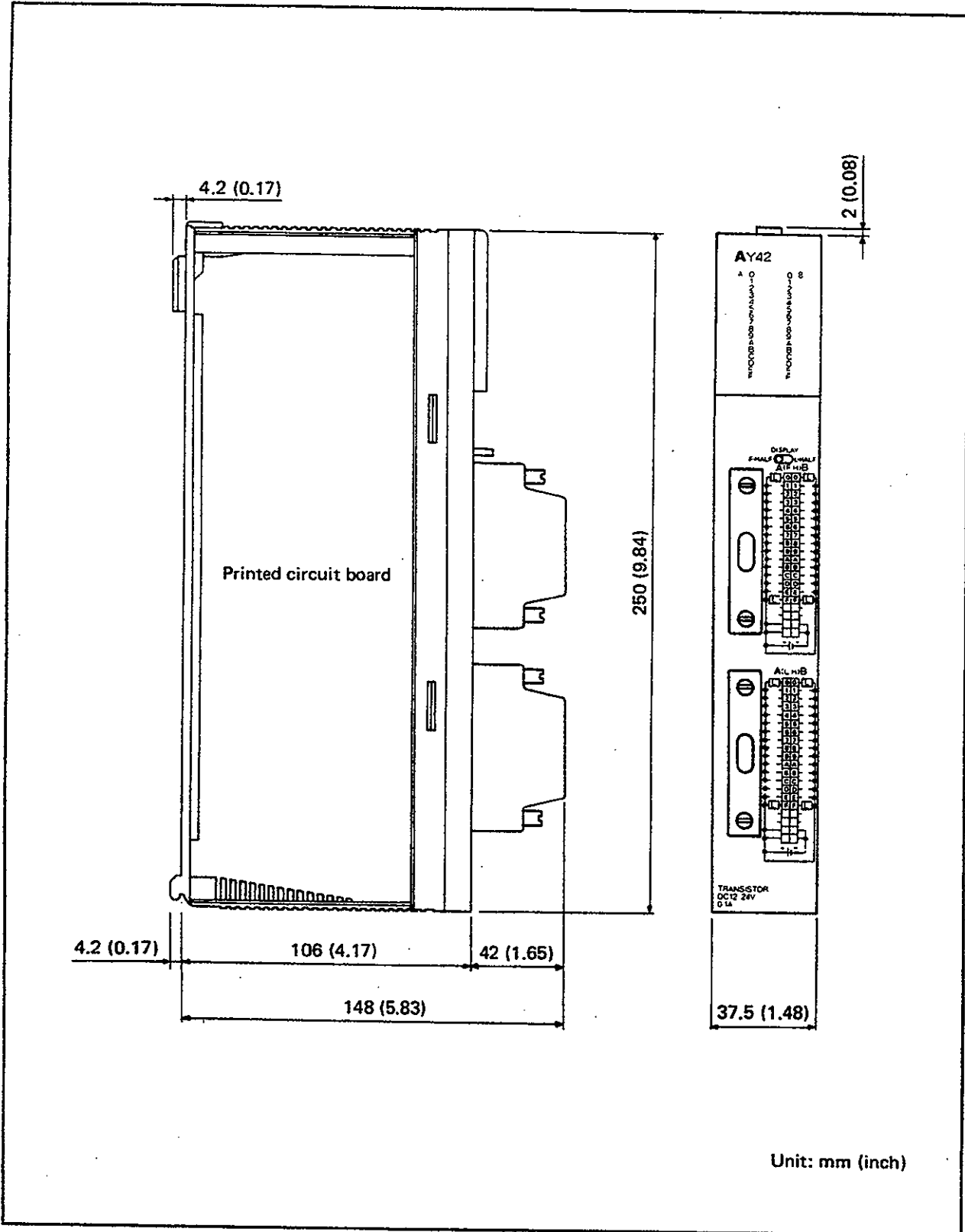
(1) 20 way type



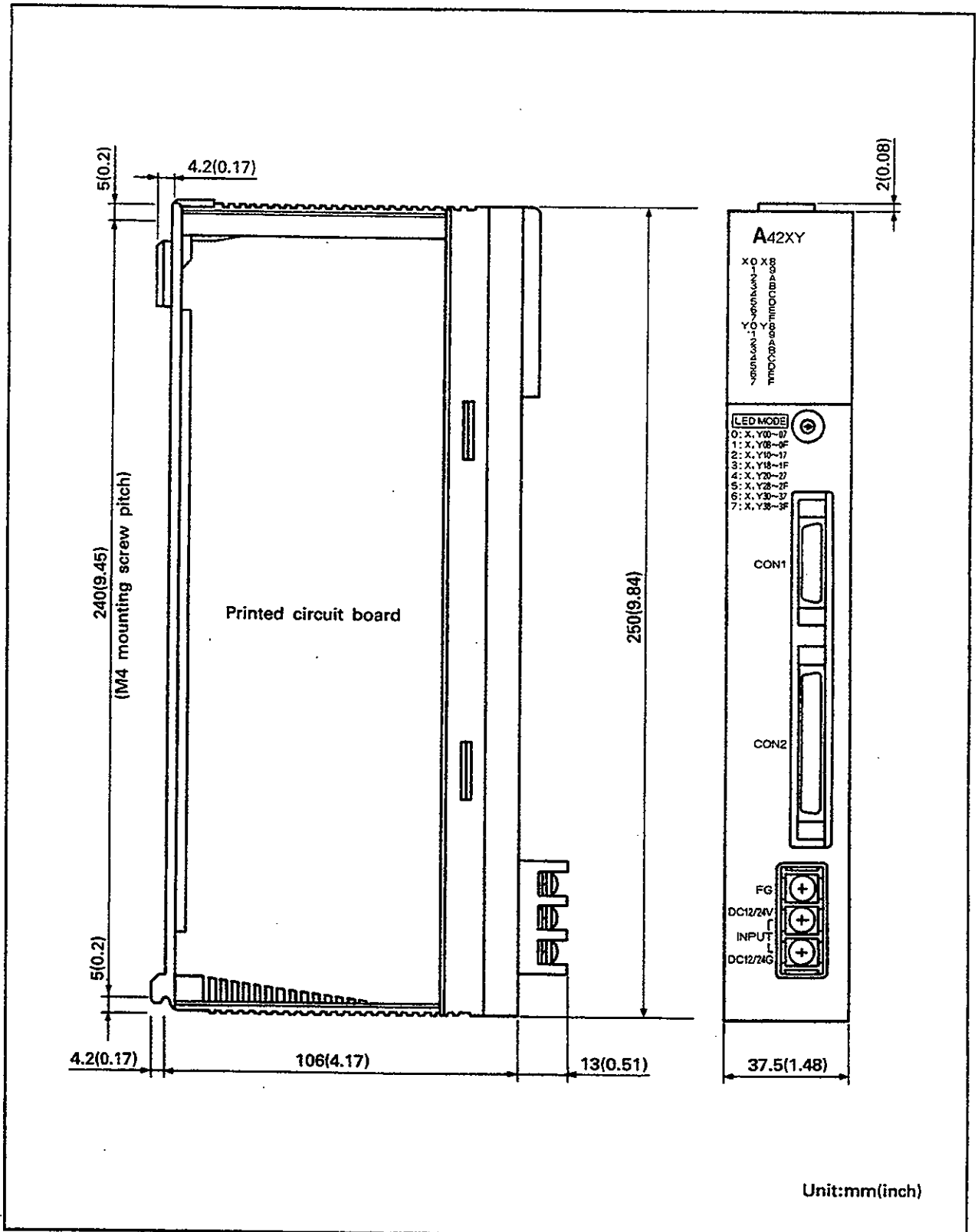
(2) 38 way type



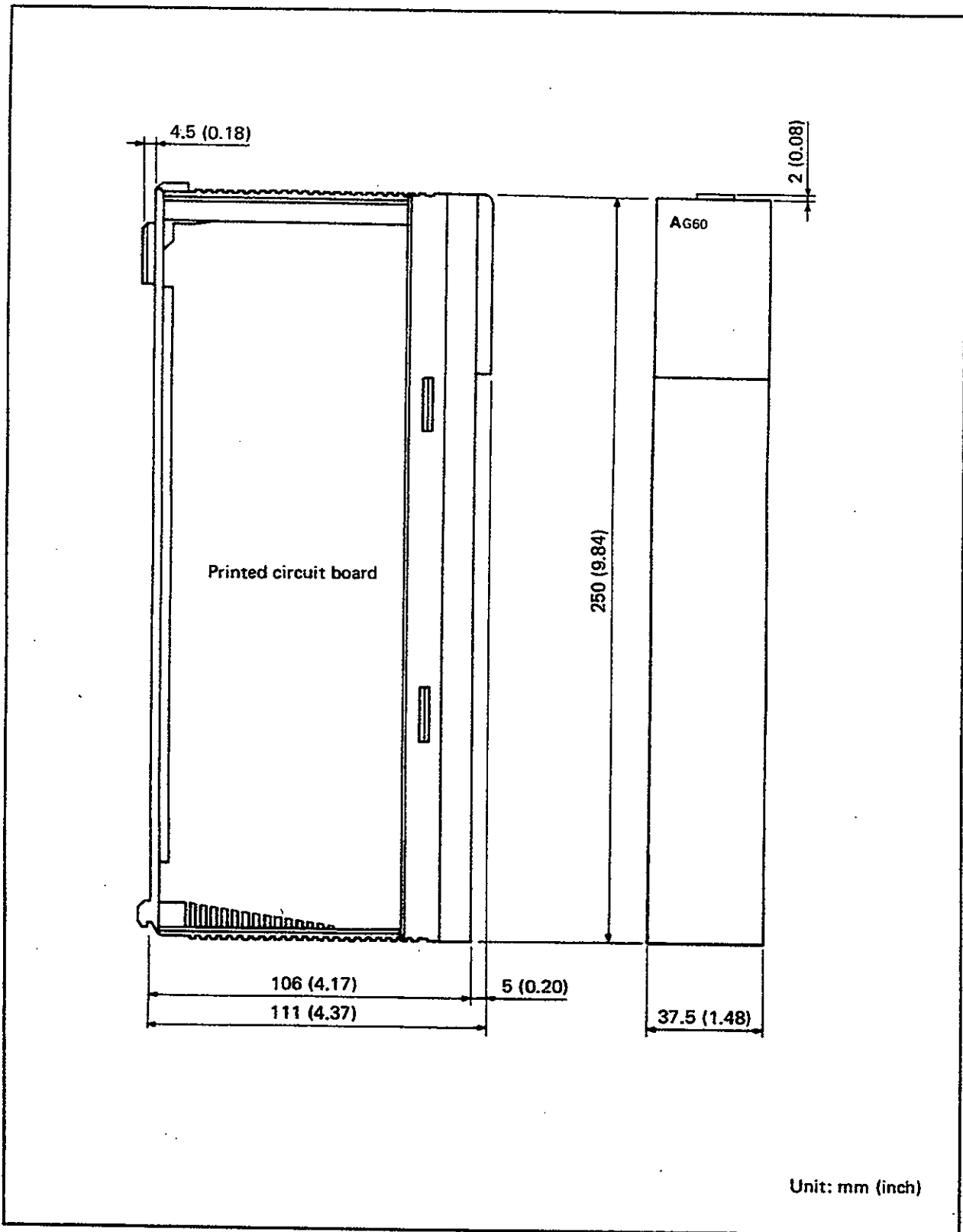
(3) 40 way type



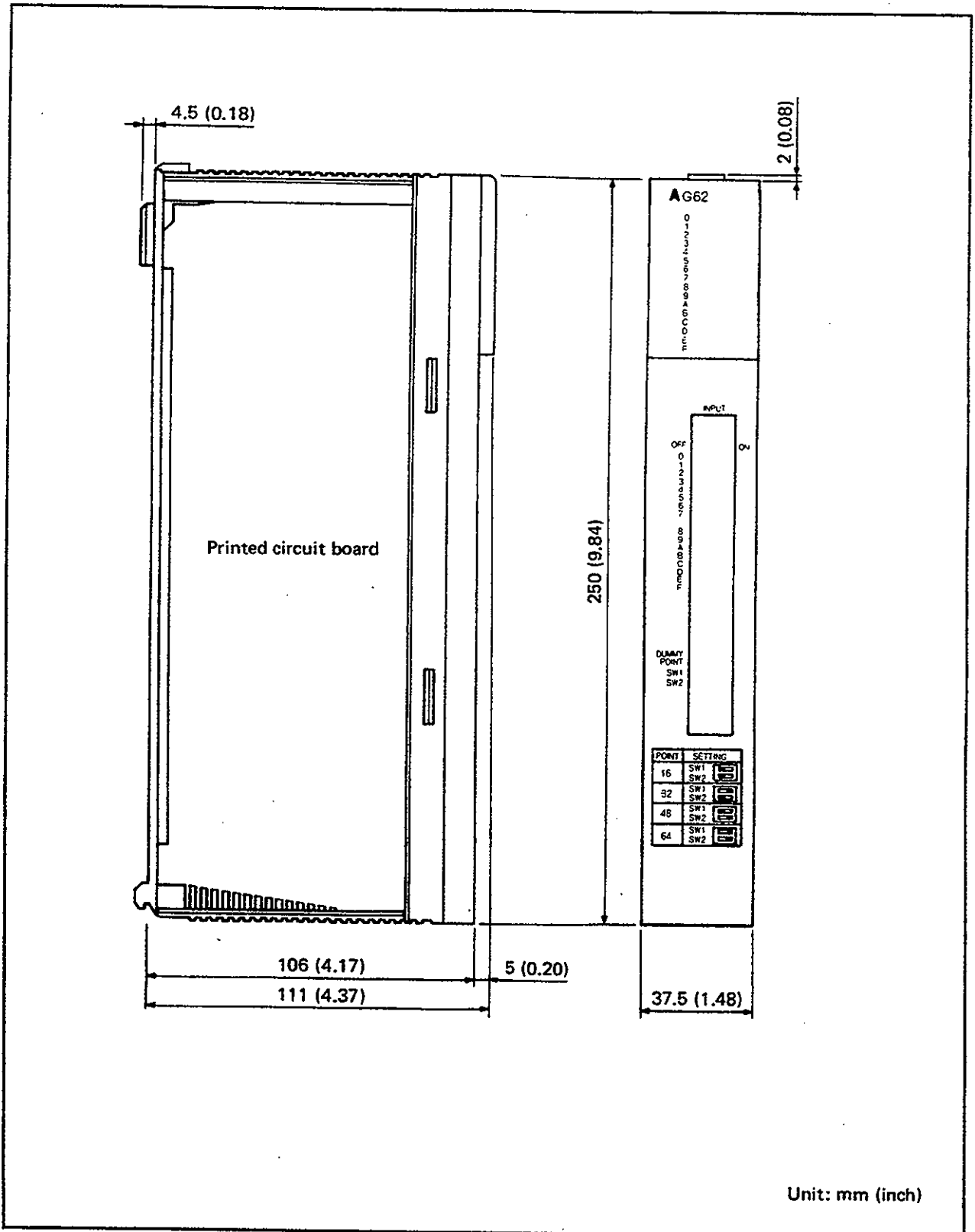
1.2 Dynamic I/O Module (A42XY)



1.3 Blank Cover (AG60)

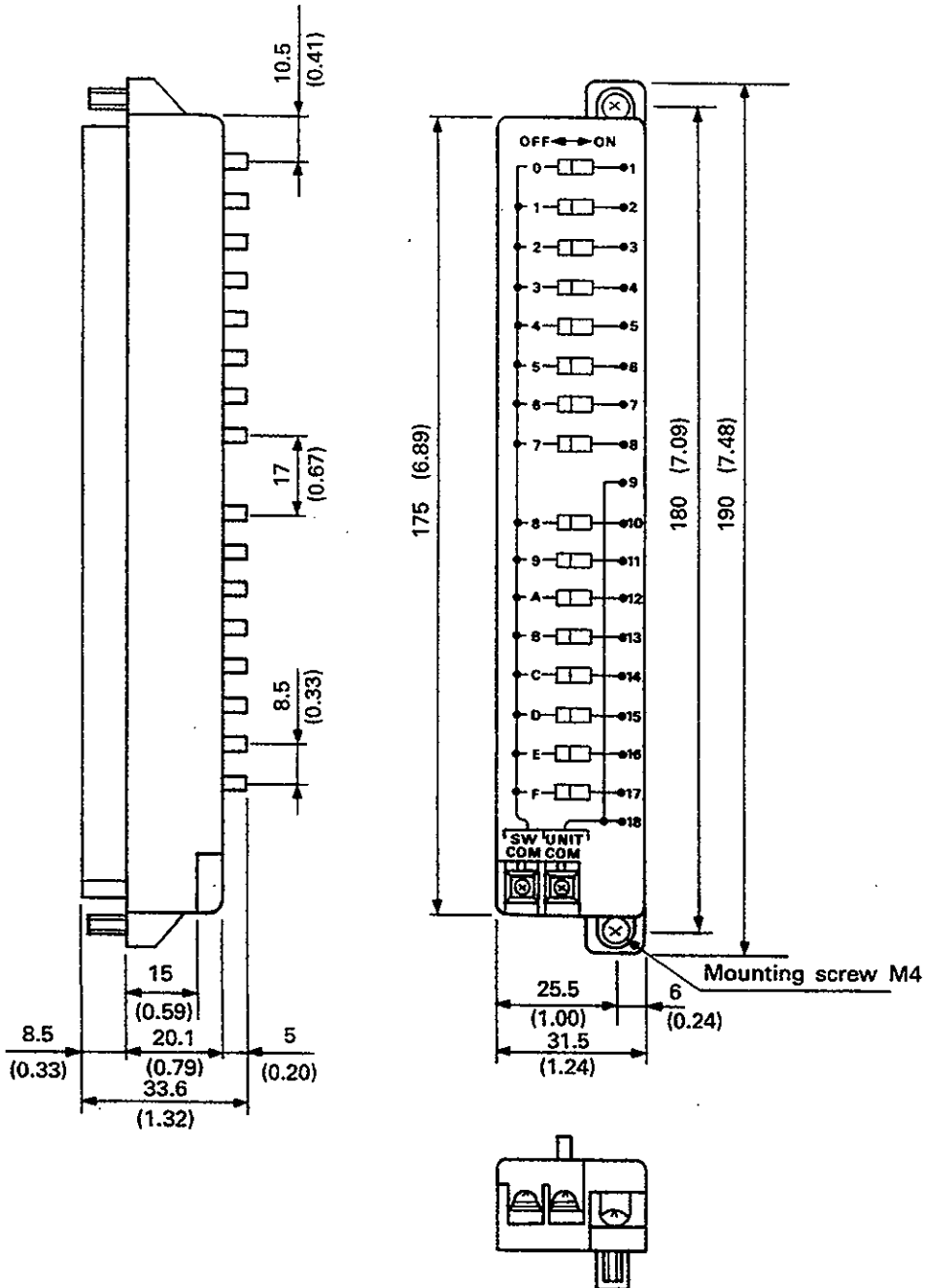


1.4 Dummy Module (AG62)



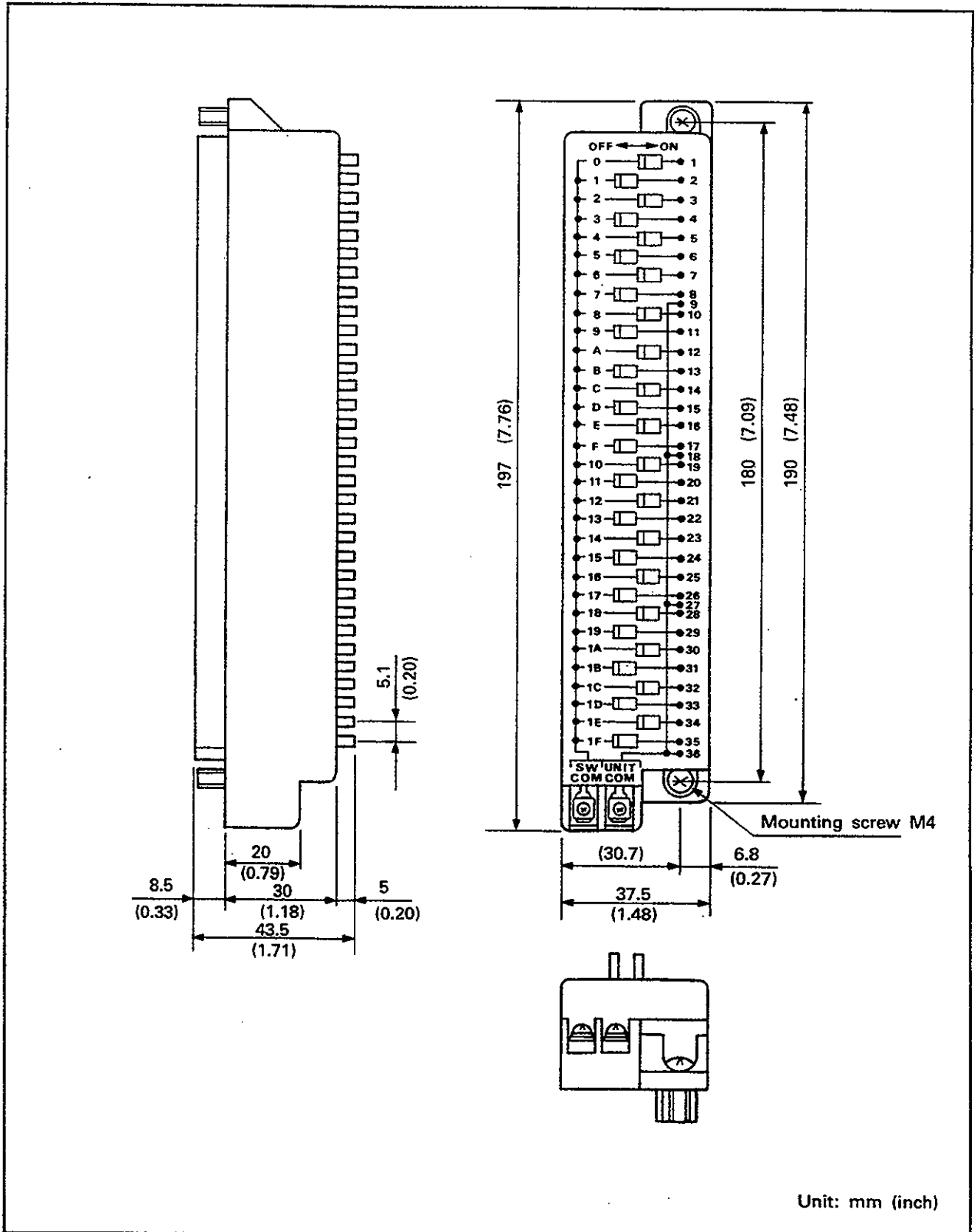
1.5 Simulation Switch

(1) A6SW16



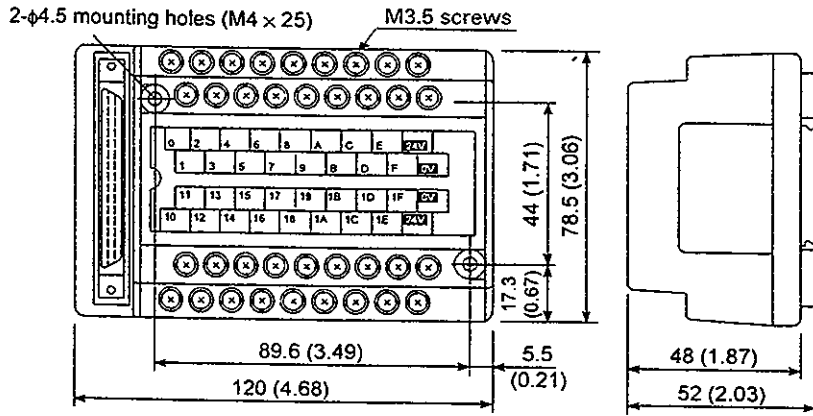
Unit: mm (inch)

(2)A6SW32



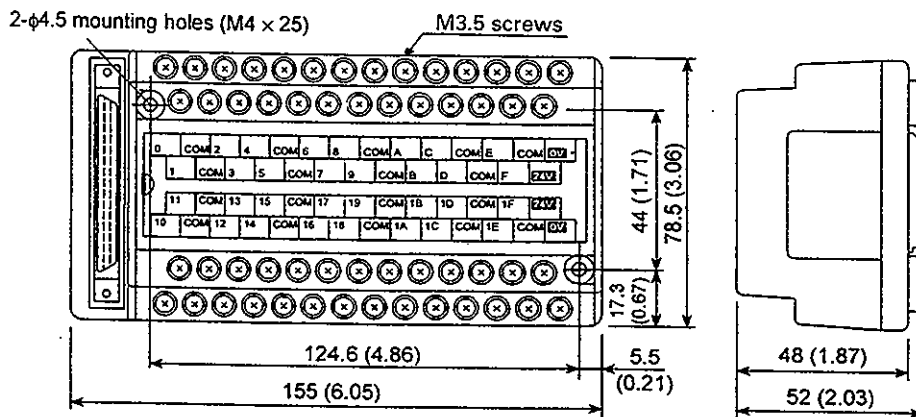
1.6 Connector/Terminal Block Converter Modules

(1) A6TB[][36][] type connector/terminal block converter module



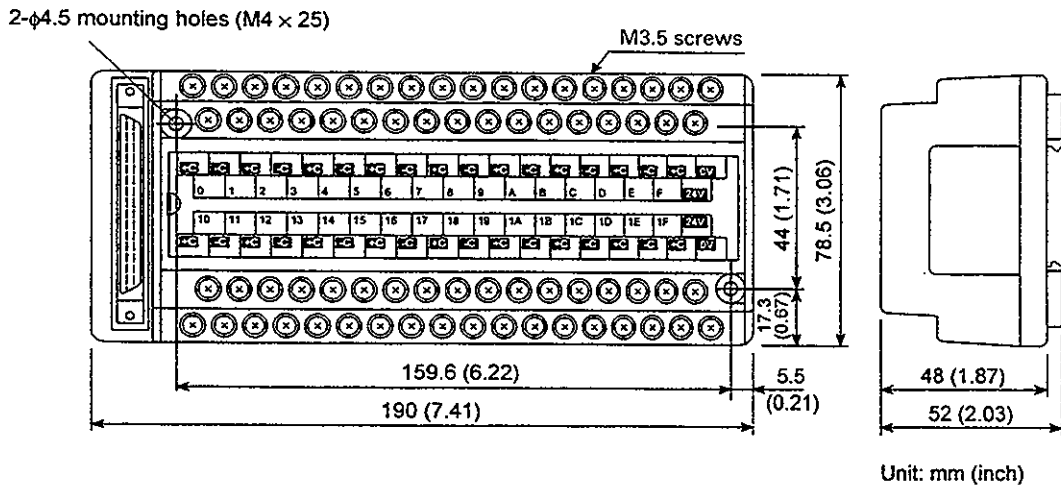
Unit: mm (inch)

(2) A6TB[][54][] type connector/terminal block converter module



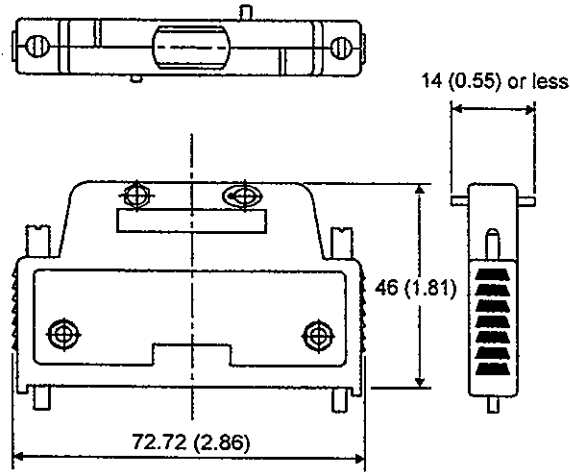
Unit: mm (inch)

(3) A6TBX70 type connector/terminal block convertor module



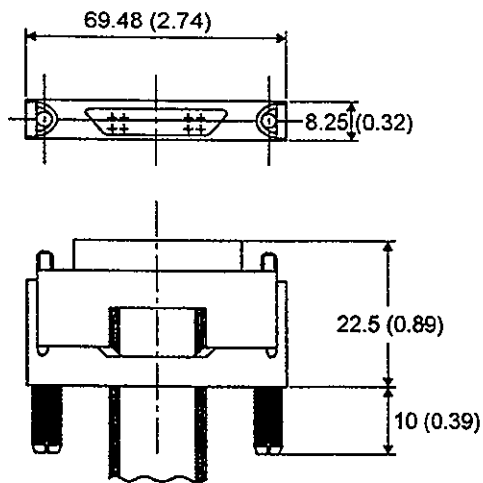
1.7 40-Pin Connectors

(1) A6CON1 soldering-type 40-pin connector, A6CON2 crimp-contact-type 40-pin connector



Unit: mm (inch)

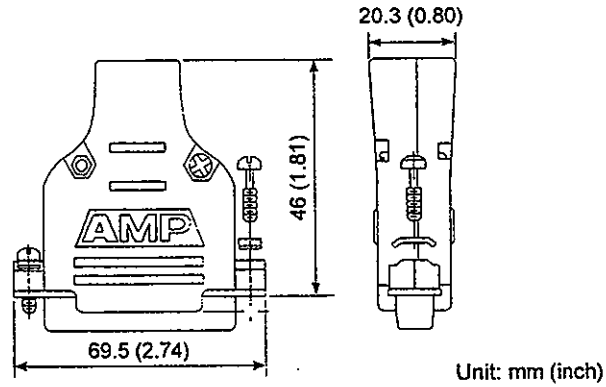
(2) A6CON3 pressure-displacement-type 40-pin connector



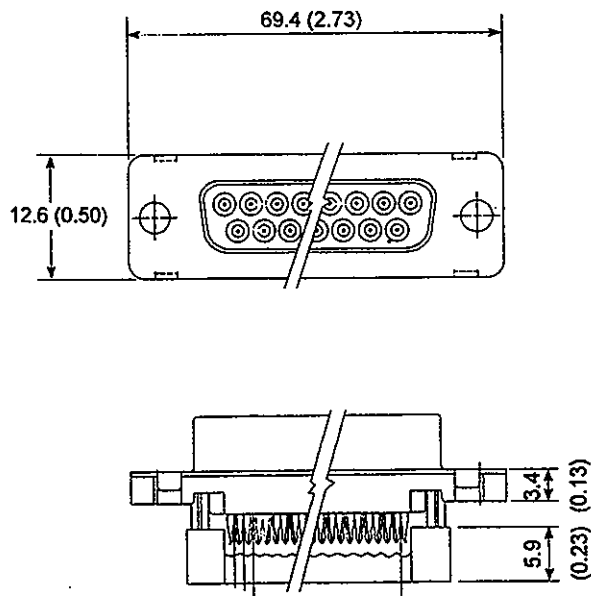
Unit: mm (inch)

1.8 Pin D Sub-Connectors

- (1) A6CON1E soldering type 37-pin D sub-connector
- A6CON2E crimp-contact-type 37-pin D sub-connector



- (2) A6CON3E pressure-displacement-type 37-pin D sub-connector



Unit: mm (inch)

I/O module type Building block

User's Manual

MODEL	A-I/O-USERS-E
MODEL CODE	13J643
IB(NA)66 140-E(9902)MEE	

 **MITSUBISHI ELECTRIC CORPORATION**

HEAD OFFICE : MITSUBISHI DENKI BLDG MARUNOUCHI TOKYO 100-8310 TELEX : J24532 CABLE MELCO TOKYO
NAGOYA WORKS : 1-14, YADA-MINAMI 5, HIGASHI-KU, NAGOYA, JAPAN

When exported from Japan, this manual does not require application to the
Ministry of International Trade and Industry for service transaction permission.

Specifications subject to change without notice.
Printed in Japan on recycled paper.

HEADQUARTERS

MITSUBISHI ELECTRIC EUROPE B.V. **EUROPE**
 German Branch
 Gothaer Straße 8
D-40880 Ratingen
 Phone: +49 (0)2102 / 486-0
 Fax: +49 (0)2102 / 486-1120

MITSUBISHI ELECTRIC EUROPE B.V.-org.sl. **CZECH REP.**
 Czech Branch
 Avenir Business Park, Radlická 714/113a
CZ-158 00 Praha 5
 Phone: +420 - 251 551 470
 Fax: +420 - 251-551-471

MITSUBISHI ELECTRIC EUROPE B.V. **FRANCE**
 French Branch
 25, Boulevard des Bouvets
F-92741 Nanterre Cedex
 Phone: +33 (0)1 / 55 68 55 68
 Fax: +33 (0)1 / 55 68 57 57

MITSUBISHI ELECTRIC EUROPE B.V. **IRELAND**
 Irish Branch
 Westgate Business Park, Ballymount
IRL-Dublin 24
 Phone: +353 (0)1 4198800
 Fax: +353 (0)1 4198890

MITSUBISHI ELECTRIC EUROPE B.V. **ITALY**
 Italian Branch
 Viale Colleoni 7
I-20041 Agrate Brianza (MB)
 Phone: +39 039 / 60 53 1
 Fax: +39 039 / 60 53 312

MITSUBISHI ELECTRIC EUROPE B.V. **POLAND**
 Poland Branch
 Krakowska 50
PL-32-083 Balice
 Phone: +48 (0)12 / 630 47 00
 Fax: +48 (0)12 / 630 47 01

MITSUBISHI ELECTRIC EUROPE B.V. **RUSSIA**
 52, bid. 3 Kosmodamianskaya nab 8 floor
RU-115054 Moscow
 Phone: +7 495 721-2070
 Fax: +7 495 721-2071

MITSUBISHI ELECTRIC EUROPE B.V. **SPAIN**
 Spanish Branch
 Carretera de Rubí 76-80
E-08190 Sant Cugat del Vallés (Barcelona)
 Phone: 902 131121 // +34 935653131
 Fax: +34 935891579

MITSUBISHI ELECTRIC EUROPE B.V. **UK**
 UK Branch
 Travellers Lane
UK-Hatfield, Herts. AL10 8XB
 Phone: +44 (0)1707 / 27 61 00
 Fax: +44 (0)1707 / 27 86 95

MITSUBISHI ELECTRIC CORPORATION **JAPAN**
 Office Tower "Z" 14 F
 8-12,1 chome, Harumi Chuo-Ku
Tokyo 104-6212
 Phone: +81 3 622 160 60
 Fax: +81 3 622 160 75

MITSUBISHI ELECTRIC AUTOMATION, Inc. **USA**
 500 Corporate Woods Parkway
Vernon Hills, IL 60061
 Phone: +1 847 478 21 00
 Fax: +1 847 478 22 53

EUROPEAN REPRESENTATIVES

GEVA **AUSTRIA**
 Wiener Straße 89
AT-2500 Baden
 Phone: +43 (0)2252 / 85 55 20
 Fax: +43 (0)2252 / 488 60

TEHNIKON **BELARUS**
 Oktyabrskaya 16/5, Off. 703-711
BY-220030 Minsk
 Phone: +375 (0)17 / 210 46 26
 Fax: +375 (0)17 / 210 46 26

ESCO DRIVES & AUTOMATION **BELGIUM**
 Culliganlaan 3
BE-1831 Diegem
 Phone: +32 (0)2 / 717 64 30
 Fax: +32 (0)2 / 717 64 31

Koning & Hartman b.v. **BELGIUM**
 Woluwelaan 31
BE-1800 Vilvoorde
 Phone: +32 (0)2 / 257 02 40
 Fax: +32 (0)2 / 257 02 49

INEA BH d.o.o. **BOSNIA AND HERZEGOVINA**
 Aleja Lipa 56
BA-71000 Sarajevo
 Phone: +387 (0)33 / 921 164
 Fax: +387 (0)33 / 524 539

AKHNATON **BULGARIA**
 4 Andrej Ljapchev Blvd. Pb 21
BG-1756 Sofia
 Phone: +359 (0)2 / 817 6044
 Fax: +359 (0)2 / 97 44 06 1

INEA CR d.o.o. **CROATIA**
 Losinjska 4 a
HR-10000 Zagreb
 Phone: +385 (0)1 / 36 940 -01 / -02 / -03
 Fax: +385 (0)1 / 36 940 -03

AutoCont C.S. s.r.o. **CZECH REPUBLIC**
 Technologická 374/6
CZ-708 00 Ostrava-Pustkovce
 Phone: +420 595 691 150
 Fax: +420 595 691 199

Beijer Electronics A/S **DENMARK**
 Lykkegårdsvej 17
DK-4000 Roskilde
 Phone: +45 (0)46 / 75 76 66
 Fax: +45 (0)46 / 75 56 26

Beijer Electronics Eesti OÜ **ESTONIA**
 Pärnu mnt.160i
EE-11317 Tallinn
 Phone: +372 (0)6 / 51 81 40
 Fax: +372 (0)6 / 51 81 49

Beijer Electronics OY **FINLAND**
 Peltoie 37
FIN-28400 Ulvila
 Phone: +358 (0)207 / 463 540
 Fax: +358 (0)207 / 463 541

UTEKO **GREECE**
 5, Mavrogenous Str.
GR-18542 Piraeus
 Phone: +30 211 / 1206 900
 Fax: +30 211 / 1206 999

MELTRADE Kft. **HUNGARY**
 Fertő utca 14.
HU-1107 Budapest
 Phone: +36 (0)1 / 431-9726
 Fax: +36 (0)1 / 431-9727

Beijer Electronics SIA **LATVIA**
 Rītausmas iela 23
LV-1058 Rīga
 Phone: +371 (0)784 / 2280
 Fax: +371 (0)784 / 2281

Beijer Electronics UAB **LITHUANIA**
 Savanorių Pr. 187
LT-02300 Vilnius
 Phone: +370 (0)5 / 232 3101
 Fax: +370 (0)5 / 232 2980

EUROPEAN REPRESENTATIVES

ALFATRADE Ltd. **MALTA**
 99, Paola Hill
Malta- Paola PLA 1702
 Phone: +356 (0)21 / 697 816
 Fax: +356 (0)21 / 697 817

INTEHSIS srl **MOLDOVA**
 bld. Traian 23/1
MD-2060 Kishinev
 Phone: +373 (0)22 / 66 4242
 Fax: +373 (0)22 / 66 4280

HIFLEX AUTOM.TECHNIEK B.V. **NETHERLANDS**
 Wolweverstraat 22
NL-2984 CD Ridderkerk
 Phone: +31 (0)180 - 46 60 04
 Fax: +31 (0)180 - 44 23 55

Koning & Hartman b.v. **NETHERLANDS**
 Haarlerbergweg 21-23
NL-1101 CH Amsterdam
 Phone: +31 (0)20 / 587 76 00
 Fax: +31 (0)20 / 587 76 05

Beijer Electronics AS **NORWAY**
 Postboks 487
NO-3002 Drammen
 Phone: +47 (0)32 / 24 30 00
 Fax: +47 (0)32 / 84 85 77

Fonseca S.A. **PORTUGAL**
 R. João Francisco do Casal 87/89
PT - 3801-997 Aveiro, Esgueira
 Phone: +351 (0)234 / 303 900
 Fax: +351 (0)234 / 303 910

Sirius Trading & Services srl **ROMANIA**
 Aleea Lacul Morii Nr. 3
RO-060841 Bucuresti, Sector 6
 Phone: +40 (0)21 / 430 40 06
 Fax: +40 (0)21 / 430 40 02

Craft Con. & Engineering d.o.o. **SERBIA**
 Bulevar Svetog Cara Konstantina 80-86
SER-18106 Nis
 Phone: +381 (0)18 / 292-24-4/5
 Fax: +381 (0)18 / 292-24-4/5

INEA SR d.o.o. **SERBIA**
 Izletnicka 10
SER-113000 Smederevo
 Phone: +381 (0)26 / 617 163
 Fax: +381 (0)26 / 617 163

SIMAP s.r.o. **SLOVAKIA**
 Jána Derku 1671
SK-911 01 Trenčín
 Phone: +421 (0)32 743 04 72
 Fax: +421 (0)32 743 75 20

PROCONT, spol. s r.o. Prešov **SLOVAKIA**
 Kúpeľná 1/A
SK-080 01 Prešov
 Phone: +421 (0)51 7580 611
 Fax: +421 (0)51 7580 650

INEA d.o.o. **SLOVENIA**
 Stegne 11
SI-1000 Ljubljana
 Phone: +386 (0)1 / 513 8100
 Fax: +386 (0)1 / 513 8170

Beijer Electronics AB **SWEDEN**
 Box 426
SE-20124 Malmö
 Phone: +46 (0)40 / 35 86 00
 Fax: +46 (0)40 / 93 23 01

Omni Ray AG **SWITZERLAND**
 Im Schörl 5
CH-8600 Dübendorf
 Phone: +41 (0)44 / 802 28 80
 Fax: +41 (0)44 / 802 28 28

GTS **TURKEY**
 Bayraktar Bulvarı Nutuk Sok. No:5
TR-34775 Yukarı Dudullu-Ümraniye-İSTANBUL
 Phone: +90 (0)216 526 39 90
 Fax: +90 (0)216 526 39 95

CSC Automation Ltd. **UKRAINE**
 4-B, M. Raskovoyi St.
UA-02660 Kiev
 Phone: +380 (0)44 / 494 33 55
 Fax: +380 (0)44 / 494-33-66

EURASIAN REPRESENTATIVES

Kazpromautomatiks Ltd. **KAZAKHSTAN**
 Mustafina Str. 7/2
KAZ-470046 Karaganda
 Phone: +7 7212 / 50 11 50
 Fax: +7 7212 / 50 11 50

MIDDLE EAST REPRESENTATIVES

ILAN & GAVISH Ltd. **ISRAEL**
 24 Shenkar St., Kiryat Arie
IL-49001 Petah-Tiqva
 Phone: +972 (0)3 / 922 18 24
 Fax: +972 (0)3 / 924 0761

TEXEL ELECTRONICS Ltd. **ISRAEL**
 2 Ha'umanut, P.O.B. 6272
IL-42160 Netanya
 Phone: +972 (0)9 / 863 39 80
 Fax: +972 (0)9 / 885 24 30

CEG INTERNATIONAL **LEBANON**
 Cebaco Center/Block A Autostrade DORA
Lebanon - Beirut
 Phone: +961 (0)1 / 240 430
 Fax: +961 (0)1 / 240 438

AFRICAN REPRESENTATIVE

CBI Ltd. **SOUTH AFRICA**
 Private Bag 2016
ZA-1600 Isando
 Phone: +27 (0)11 / 977 0770
 Fax: +27 (0)11 / 977 0761