

Supplementary Description for QA1S51B

Extension Base Unit

Please read this document and the manual included with the main base unit before use. Keep the document in a safe place for future reference. Make sure that the end users read the document.

■ Precaution for use

Before handling the module, touch a grounded metal object to discharge the static electricity from the human body. Failure to do so may cause the module to fail or malfunction.

■ Precaution when connecting the extension base unit

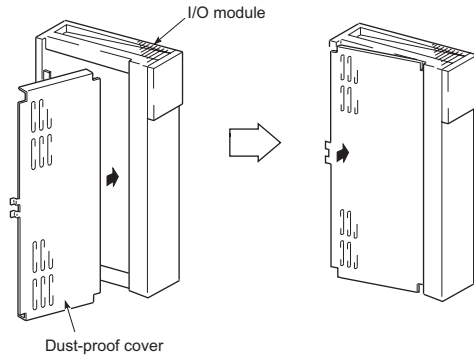
The QA1S51B can be connected to the last extension stage only because it does not have an extension cable connector (OUT).

The following units cannot be connected when the QA1S51B is used.

- GOT
- QA6□B extension base unit
- A6ADP+A5□B/A6□B extension base unit

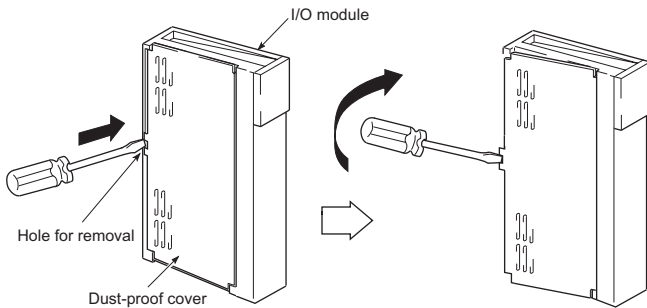
Attach a provided dustproof cover on the left side of the module that is to be mounted to the QA1S51B. If not, foreign matter will get in the module and cause failure.

(1) Attachment of a dustproof cover



Insert one side of the dustproof cover into the groove of the module (on the connector or terminal side) first, and push the other side of the cover in the module until it locks into place. (See the figure above.)

(2) Removal of a dustproof cover



Insert the tip of a flathead screwdriver into the hole, and gently tilt the screwdriver to pry the cover off. (See the figure above.)

■ Display on the software

When the QA1S51B state is checked from GX Works2 or GX Developer, the number of slots for the extension base unit is displayed as 2 on the system monitor window. Note that this is not the indication of an error and the system will operate without problem.

